



US00D717550S

(12) **United States Design Patent**
Harden et al.

(10) **Patent No.:** **US D717,550 S**

(45) **Date of Patent:** **** Nov. 18, 2014**

(54) **COAT HOOK**

(71) Applicant: **Bobrick Washroom Equipment, Inc.**,
North Hollywood, CA (US)

(72) Inventors: **Daniel Kendall Harden**, Palo Alto, CA
(US); **Elliot Lucas Ortiz**, San Francisco,
CA (US); **Hiroto Teranishi**, San Jose,
CA (US)

(73) Assignee: **Bobrick Washroom Equipment, Inc.**,
North Hollywood, CA (US)

(**) Term: **14 Years**

(21) Appl. No.: **29/481,876**

(22) Filed: **Feb. 11, 2014**

(51) **LOC (10) Cl.** **06-08**

(52) **U.S. Cl.**
USPC **D6/323**

(58) **Field of Classification Search**

CPC A47G 25/28; A47G 25/32; A47G 25/743;
A47G 25/14; A47G 25/10; A47G 25/0607;
A47G 25/06; A47G 25/34; A47G 1/20;
A47G 7/044; A47G 29/00
USPC D6/315-328; 223/85-98; 211/10, 13.1,
211/85.2, 87.01, 113; D8/300, 367, 372,
D8/373; 248/304, 309.1

See application file for complete search history.

(56) **References Cited**

U.S. PATENT DOCUMENTS

D267,604	S	*	1/1983	Peabody et al.	D8/367
D388,619	S	*	1/1998	Klein et al.	D6/323
D434,969	S	*	12/2000	Eggink	D8/354
D442,073	S	*	5/2001	Lyndon	D8/367
D450,566	S	*	11/2001	Gottwald	D8/367
D548,983	S	*	8/2007	Krumpe	D6/323
D555,365	S	*	11/2007	Berberet	D6/323
D623,868	S	*	9/2010	Schiestl	D6/323

* cited by examiner

Primary Examiner — Derrick Holland

Assistant Examiner — Lauren Calve

(74) *Attorney, Agent, or Firm* — Christie, Parker & Hale,
LLP

(57) **CLAIM**

The ornamental design for a coat hook, as shown and
described.

DESCRIPTION

FIG. 1 is a perspective view of our coat hook design;
FIG. 2 is a top view thereof;
FIG. 3 is a front view thereof;
FIG. 4 is a bottom view thereof; and,
FIG. 5 is a left side view, the right side view being a mirror
image thereof.

1 Claim, 2 Drawing Sheets

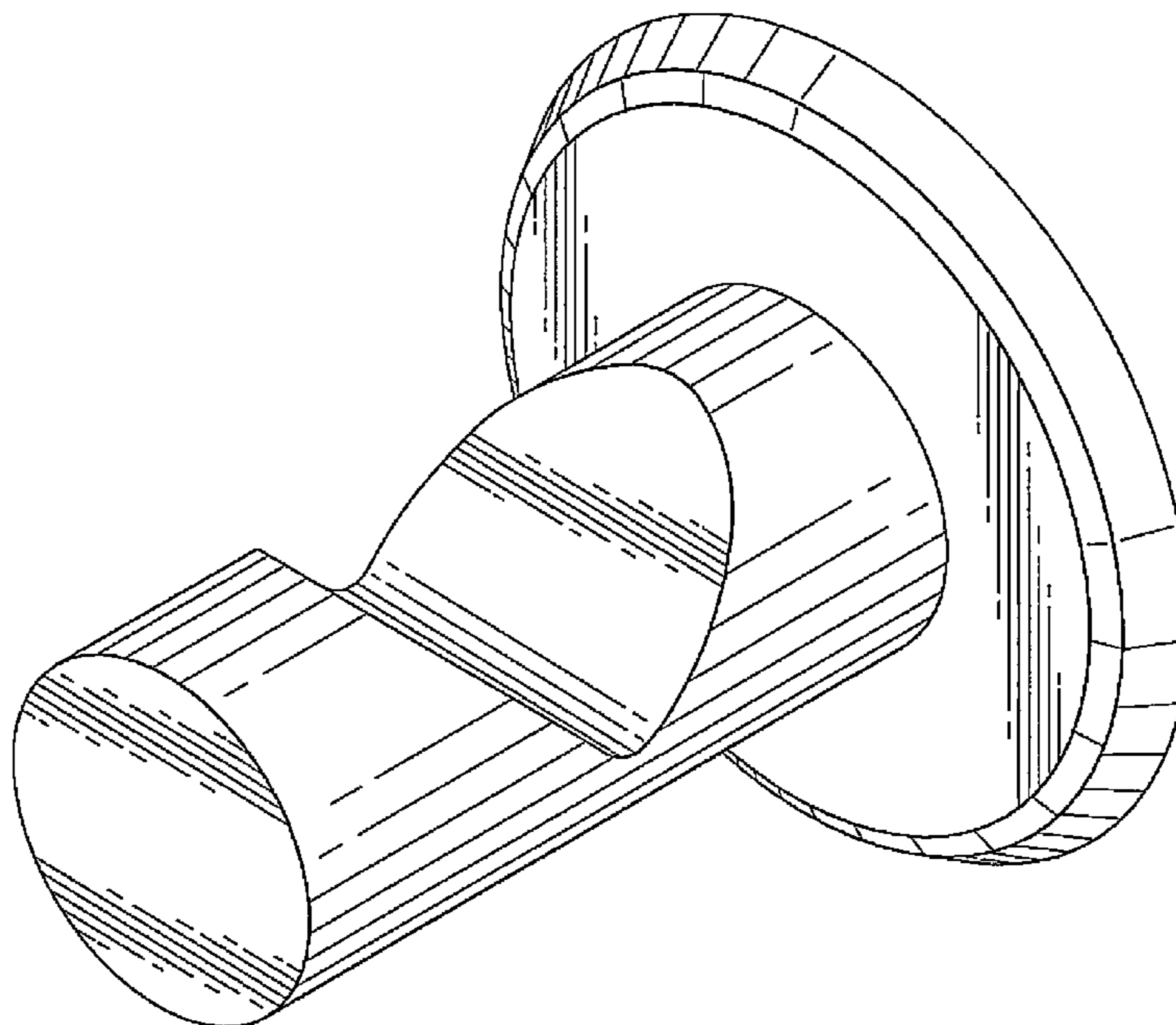


FIG. 1

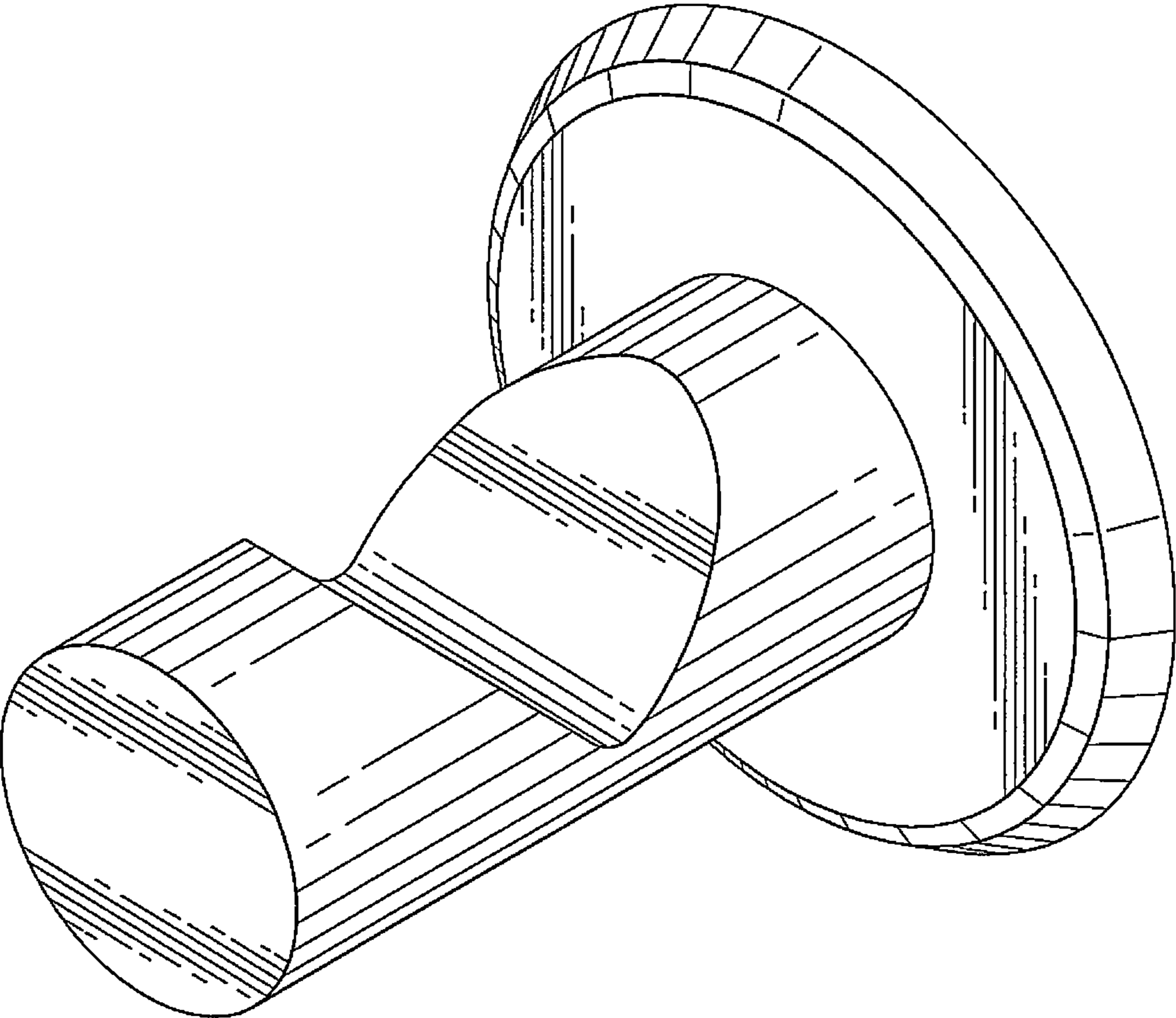


FIG. 2

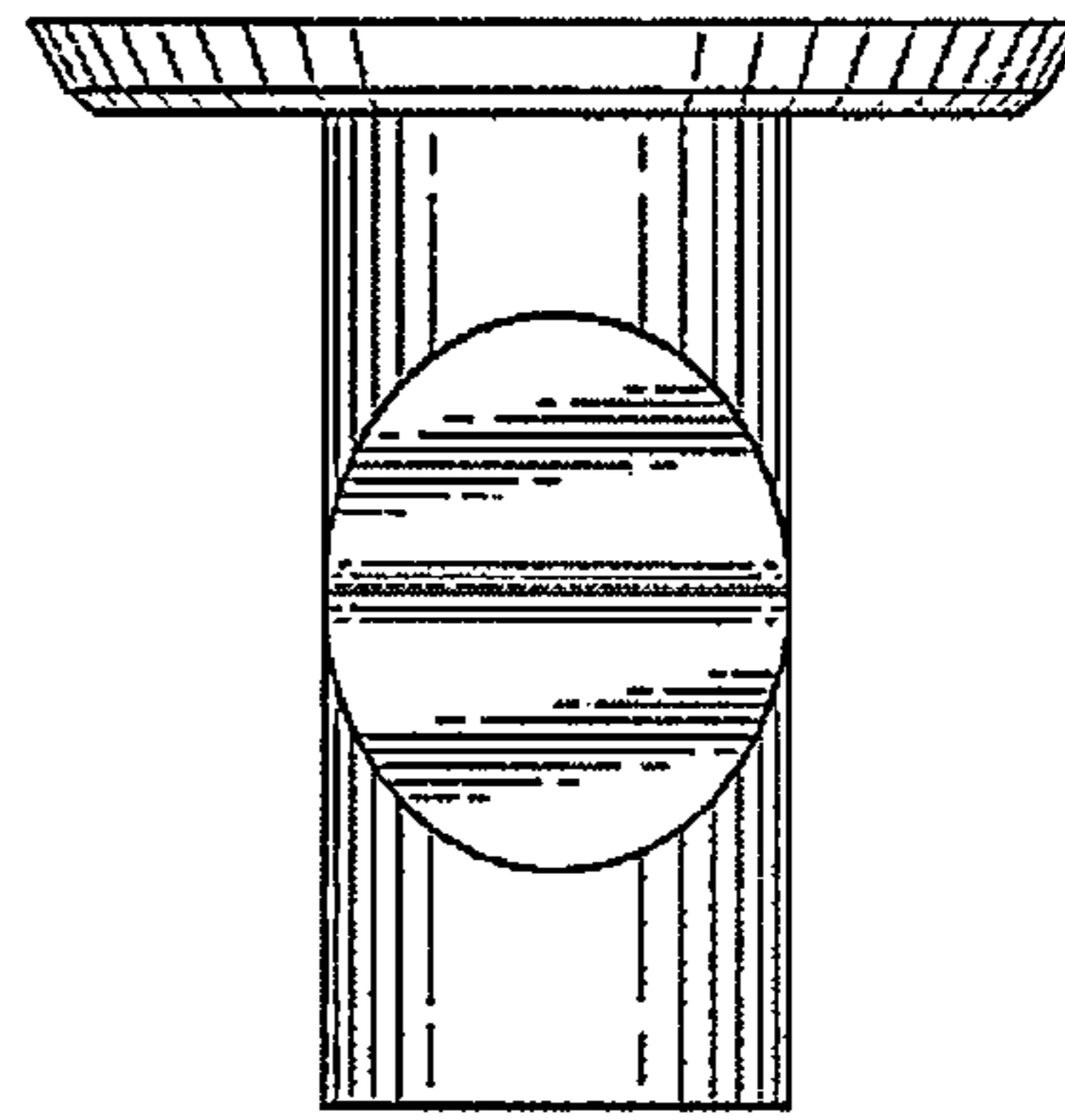


FIG. 3

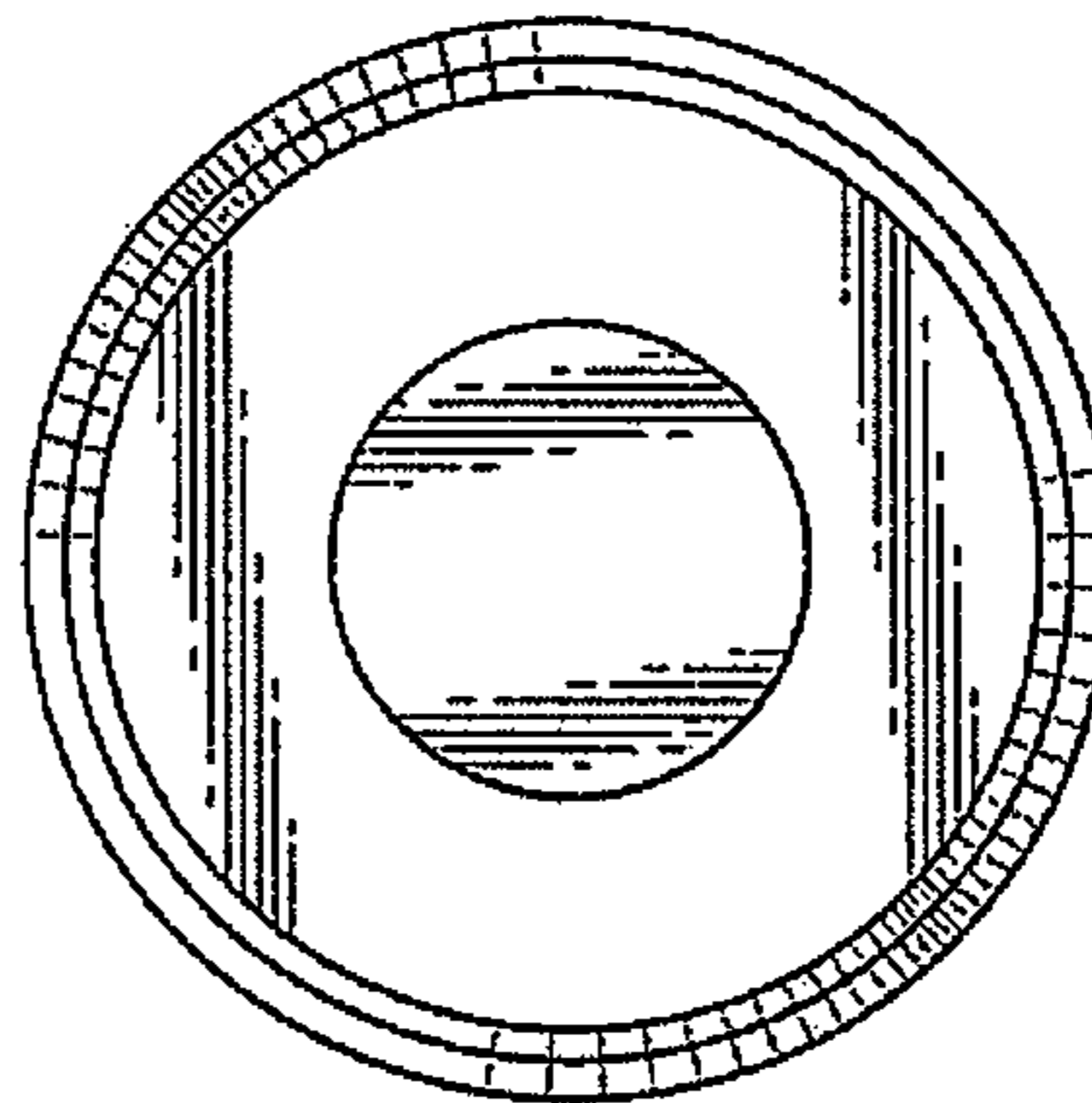


FIG. 4

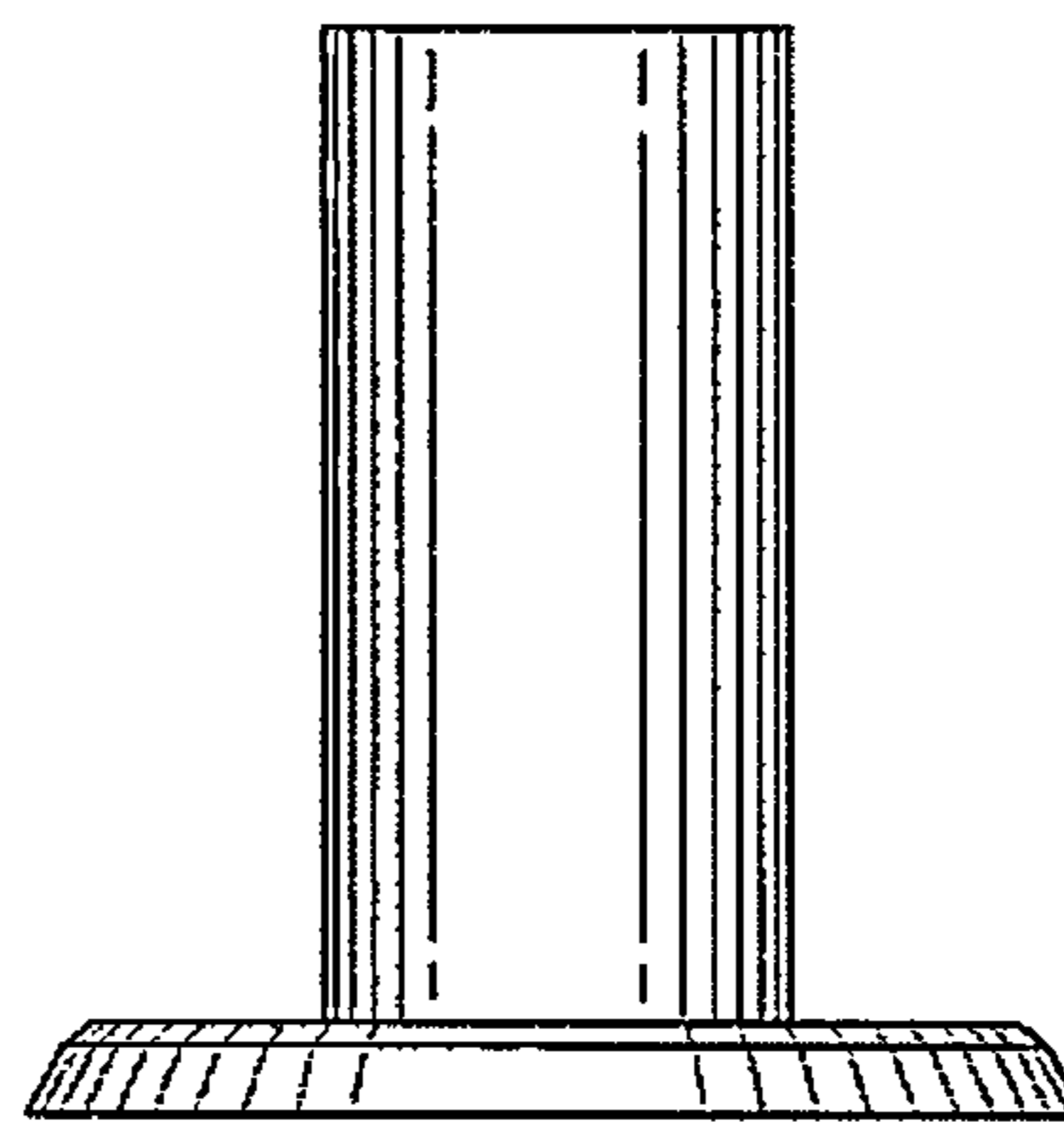


FIG. 5

