

US00D717548S

(12) **United States Design Patent**
Lim

(10) **Patent No.:** **US D717,548 S**

(45) **Date of Patent:** **** Nov. 18, 2014**

(54) **POLYHEDRAL BRUSH**

(71) Applicant: **HCT Group Holdings Limited**, Santa Monica, CA (US)

(72) Inventor: **Cindy Sean Yuei Lim**, Santa Monica, CA (US)

(73) Assignee: **HCT Group Holdings Limited**, Santa Monica, CA (US)

(**) Term: **14 Years**

(21) Appl. No.: **29/454,397**

(22) Filed: **May 9, 2013**

(51) **LOC (10) Cl.** **04-01**

(52) **U.S. Cl.**
USPC **D4/135**

(58) **Field of Classification Search**
USPC D4/135, 128, 199, 131, 138, 121, 116, D4/132, 118; 15/143.1, 202, 145, 176.6, 15/191.1, 159.1, 246, 111, 207.2, 425, 15/188, 160, 167.1, 245.1, 146, 176.3, 15/104.001, 144.3, 236.03, 236.05, 15/257.01, 105, 142, 104.92, 206, 144.4, 15/176.1, 210.1, 257.05, 248.1, 1, 119.1, 15/262, 264; D3/228; 16/427, 430, 422; 294/209, 172, 210; D32/54; 300/21; 132/320, 218, 317; 401/199, 286, 129, 401/122, 270, 183, 186, 121; 7/105, 151
See application file for complete search history.

(56) **References Cited**

U.S. PATENT DOCUMENTS

D450,189 S *	11/2001	Mink et al.	D4/127
D450,930 S *	11/2001	Mink et al.	D4/135
D450,931 S *	11/2001	Mink et al.	D4/135
D454,001 S *	3/2002	Mink et al.	D4/127
D471,018 S *	3/2003	Mink	D4/135
D479,917 S *	9/2003	Mink	D4/135

D479,918 S *	9/2003	Mink	D4/135
D480,218 S *	10/2003	Mink	D4/135
D485,442 S *	1/2004	Twig	D4/135
D562,566 S *	2/2008	Mink	D4/135
D584,897 S *	1/2009	Belley	D4/135
D632,488 S *	2/2011	Twig	D4/138
2009/0089949 A1 *	4/2009	Mink et al.	15/160

OTHER PUBLICATIONS

U.S. Appl. No. 13/890,941, filed May 9, 2013, Cindy Sean Yuei Lim, "Cosmetic Implement With Polyhedral Applicator," 24 pages.
Little Blue Chairs, "My first Giveaway at Little Blue Chairs!" retrieved on Apr. 10, 2013 at <<<http://www.littlebluechairs.com/2011/02/my-first-giveaway-at-little-blue-chairs.html>>> 8 pages.

* cited by examiner

Primary Examiner — Eric Goodman

Assistant Examiner — Ryan Harvey

(74) *Attorney, Agent, or Firm* — Lee & Hayes, PLLC

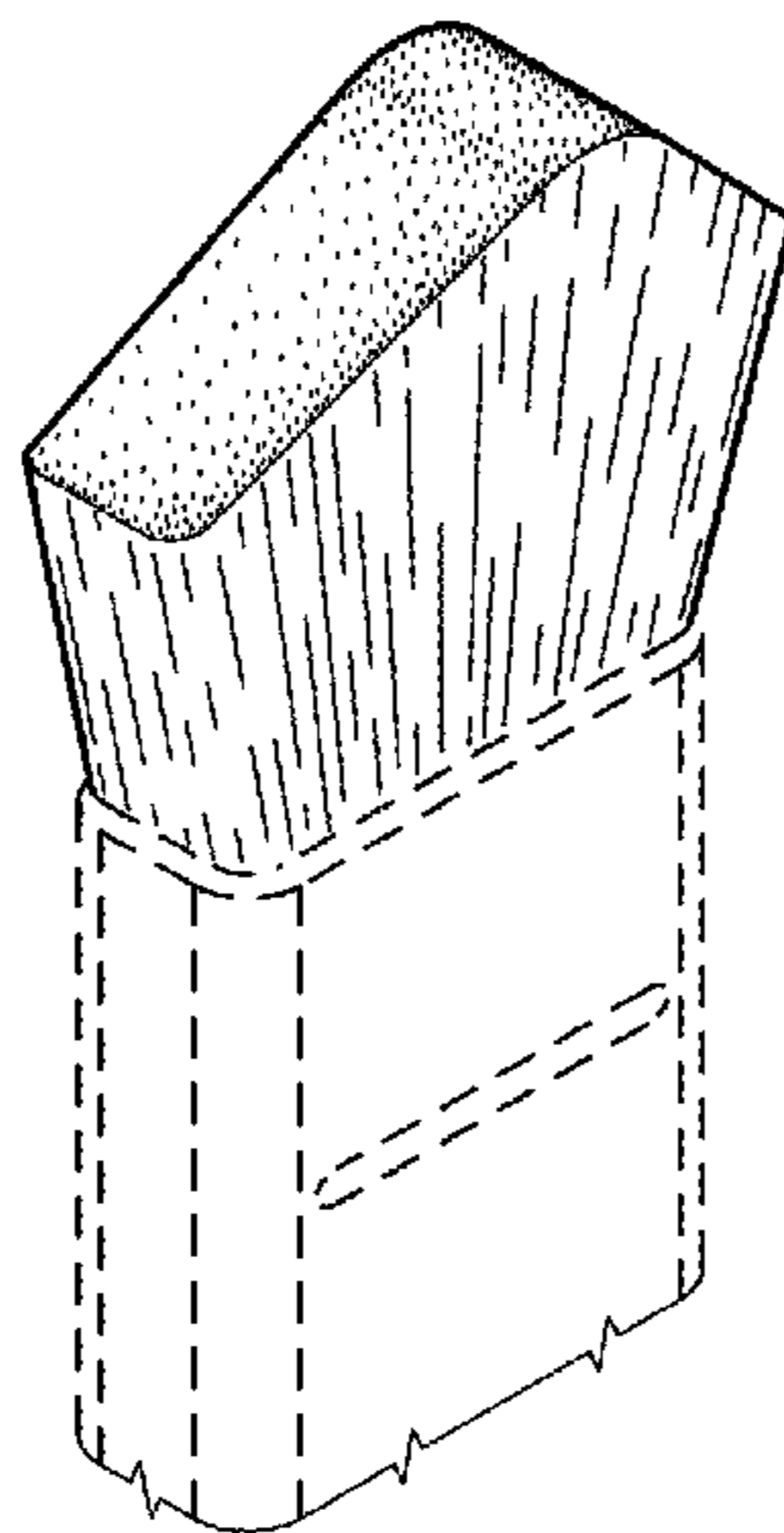
(57) **CLAIM**

The ornamental design for a polyhedral brush, as shown and described.

DESCRIPTION

FIG. 1 is a perspective view of a polyhedral brush;
FIG. 2 is a front elevation view of the polyhedral brush of FIG. 1, the back elevation view being a mirror image of the front elevation view;
FIG. 3 is a left-side elevation view of the polyhedral brush of FIG. 1;
FIG. 4 is a right-side elevation view of the polyhedral brush of FIG. 1;
FIG. 5 is a top plan view of the polyhedral brush of FIG. 1; and,
FIG. 6 is a bottom plan view of the polyhedral brush of FIG. 1.
The broken lines are directed to unclaimed portions and form no part of the claimed design.

1 Claim, 1 Drawing Sheet



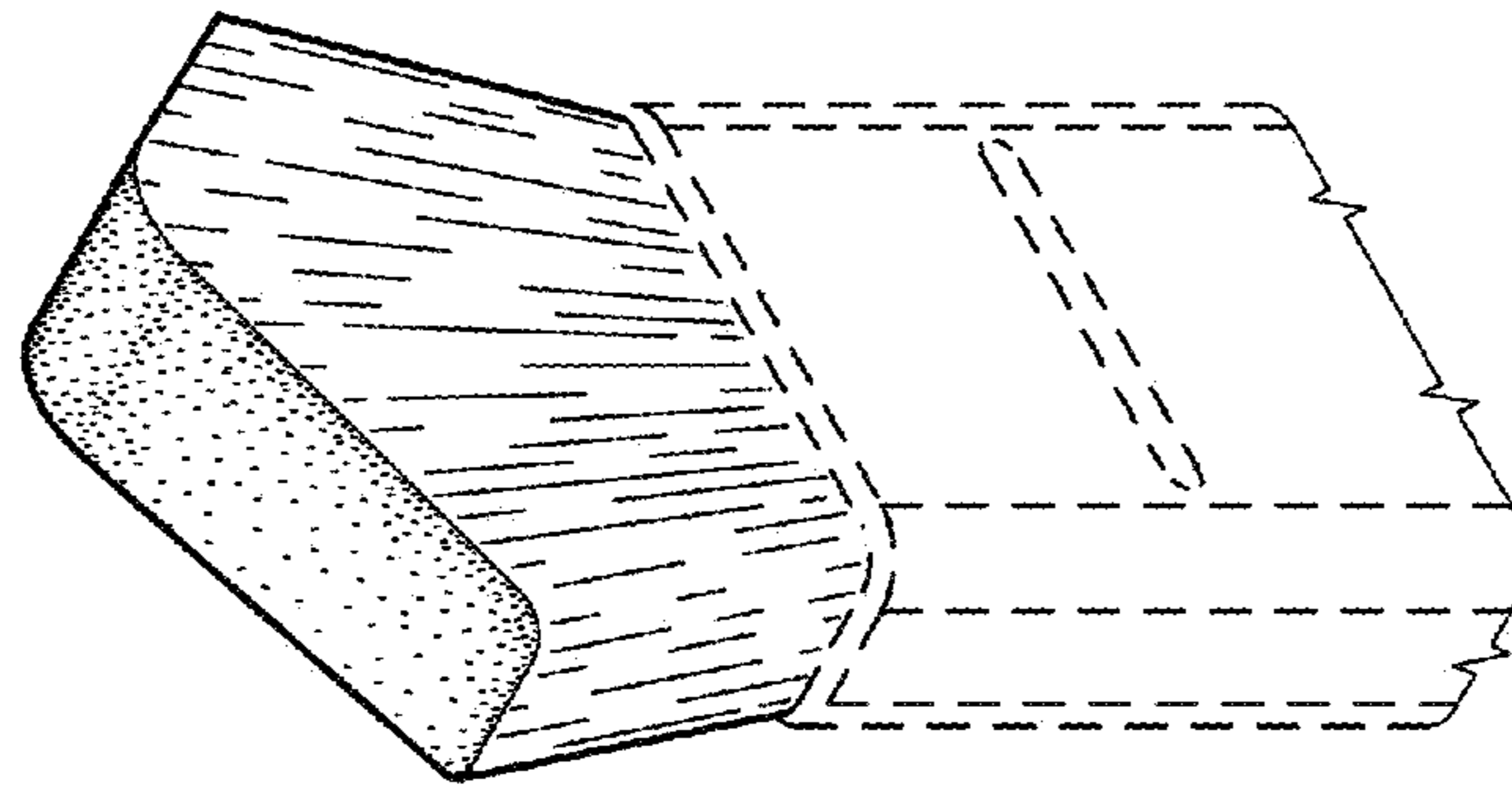


FIG. 1

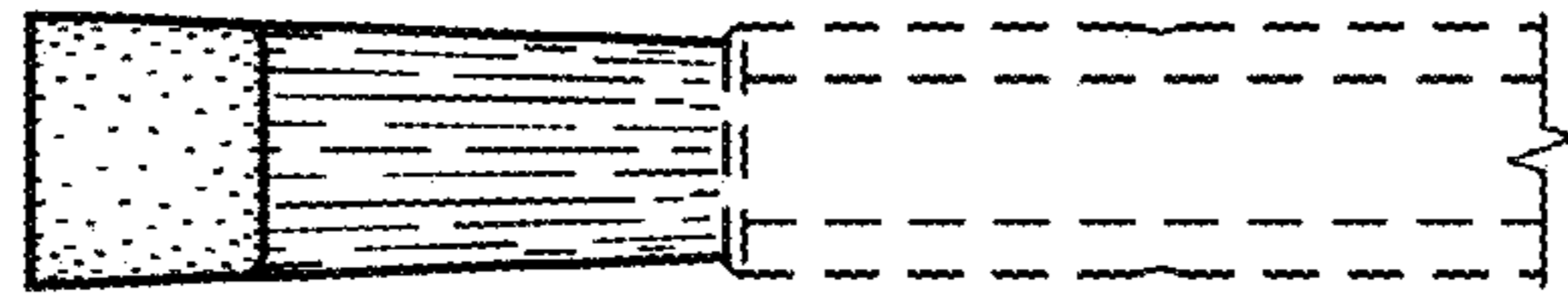


FIG. 3

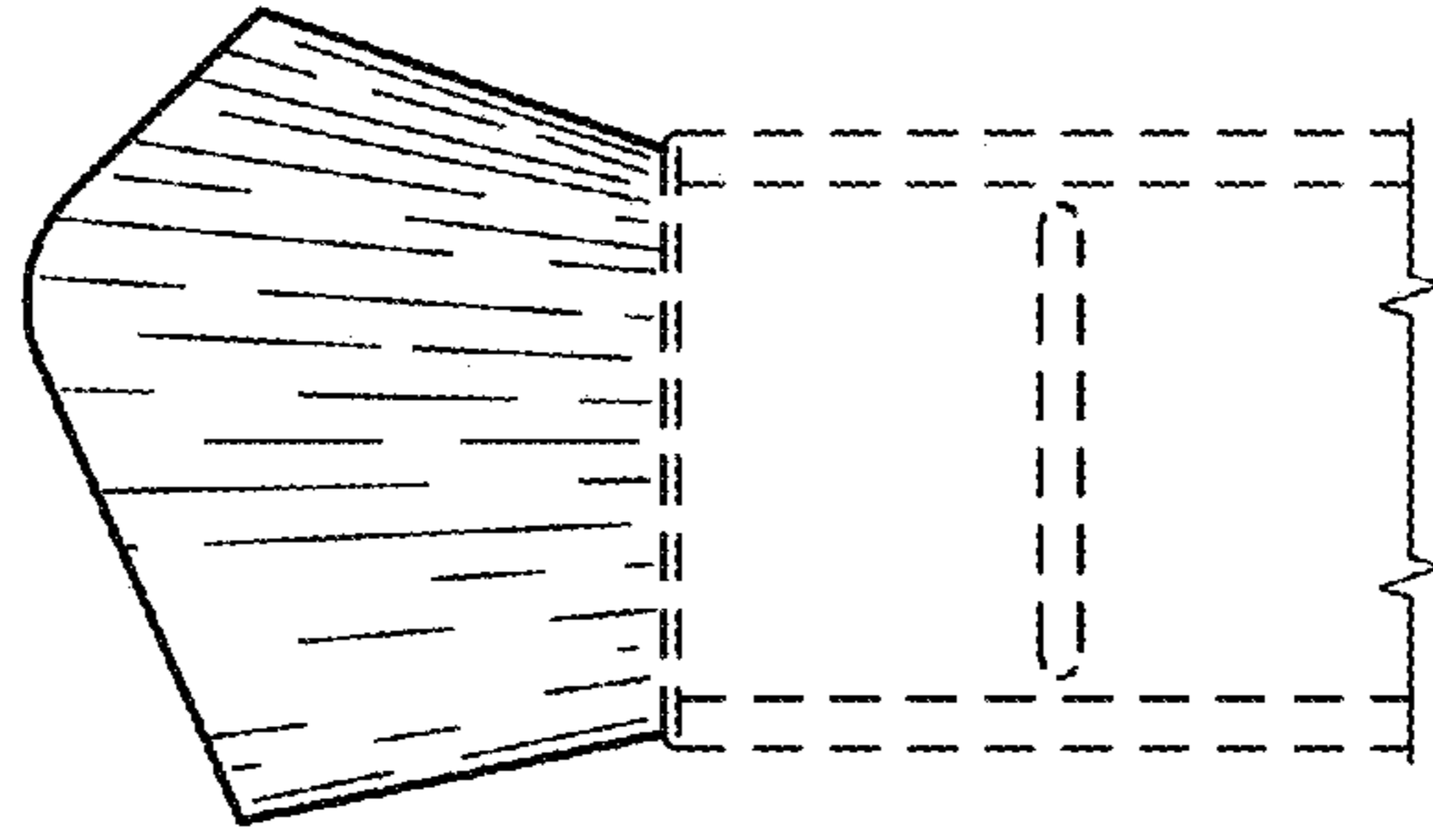


FIG. 2

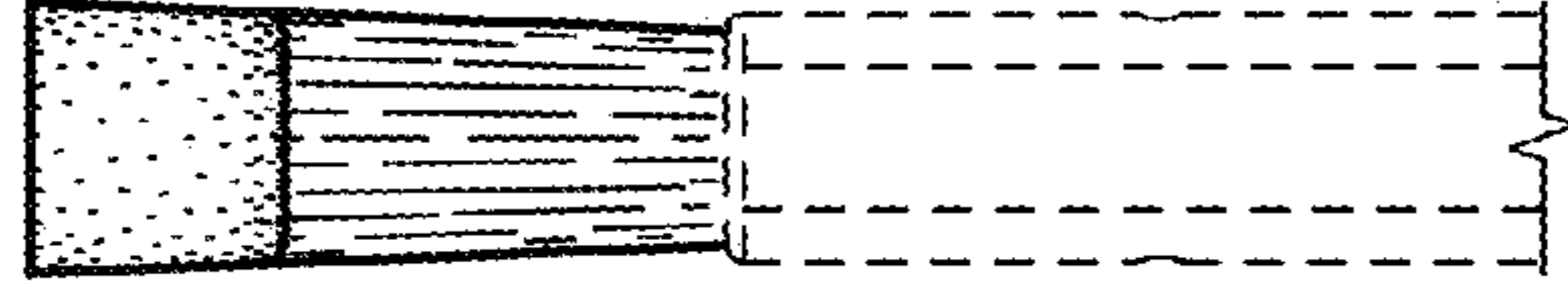


FIG. 4

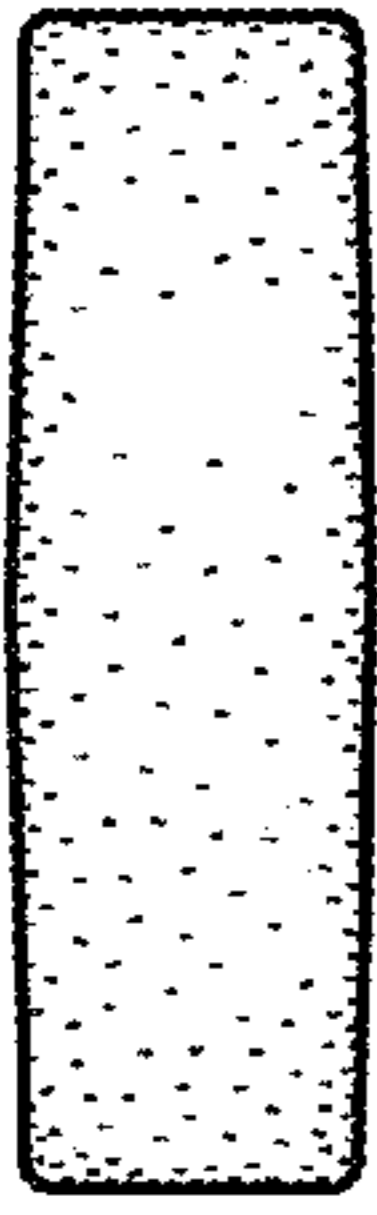


FIG. 5



FIG. 6