



US00D717546S

(12) **United States Design Patent**  
**Garbow et al.**

(10) **Patent No.:** **US D717,546 S**

(45) **Date of Patent:** **\*\* Nov. 18, 2014**

(54) **STAND ALONE, ZIP OPEN/CLOSE,  
POURABLE, WEB HANDLE POWDER BULK  
CONSUMER BAG**

(71) Applicants: **Jack Arthur Garbow**, Atlanta, GA  
(US); **Hanh Nguyen Garbow**, Atlanta,  
GA (US)

(72) Inventors: **Jack Arthur Garbow**, Atlanta, GA  
(US); **Hanh Nguyen Garbow**, Atlanta,  
GA (US)

(\*\*) Term: **14 Years**

(21) Appl. No.: **29/442,650**

(22) Filed: **Apr. 11, 2013**

(51) **LOC (10) Cl.** ..... **03-01**

(52) **U.S. Cl.**  
USPC ..... **D3/323**

(58) **Field of Classification Search**

CPC ..... B65D 33/2591; B65D 33/2508; B65D  
33/2541; B65D 33/06; A45C 3/04  
USPC ..... D9/702-705, 707, 709; D3/303, 323;  
383/10, 12, 14, 21, 29, 61.3, 63, 69,  
383/81, 203, 211

See application file for complete search history.

(56) **References Cited**

**U.S. PATENT DOCUMENTS**

1,771,429	A *	7/1930	Wisbith	.....	383/97
3,370,630	A *	2/1968	Haugh et al.	.....	383/21
3,567,110	A *	3/1971	Susuki et al.	.....	383/10
4,573,203	A *	2/1986	Peppiatt	.....	383/29
4,877,337	A *	10/1989	Wood	.....	383/21
5,112,138	A *	5/1992	Peppiatt	.....	383/29
D384,273	S *	9/1997	Willis	.....	D9/704
5,788,378	A *	8/1998	Thomas	.....	383/63

(Continued)

*Primary Examiner* — Deanna L Pratt

*Assistant Examiner* — Lilyana Bekic

(74) *Attorney, Agent, or Firm* — Hilary W. Hunter; Isenberg & Hewitt, PC

(57) **CLAIM**

We claim the ornamental design for a stand alone, zip open/close, pourable, web handle powder bulk consumer bag, as shown and described.

**DESCRIPTION**

FIG. 1 is an isometric view of a stand alone, zip open/close, pourable, web handle powder bulk consumer bag with handles in the outstretched position.

FIG. 2 is a top plan view of the stand alone, zip open/close, pourable, web handle powder bulk consumer bag.

FIG. 3 is a side elevation of the stand alone, zip open/close, pourable, web handle powder bulk consumer bag, the opposite side of which is a mirror image.

FIG. 4 is a left end elevation of the stand alone, zip open/close, pourable, web handle powder bulk consumer bag, as viewed from FIG. 3.

FIG. 5 is a right end elevation of the stand alone, zip open/close, pourable, web handle powder bulk consumer bag, as viewed from FIG. 3.

FIG. 6 is an isometric view of the upper portion of the stand alone, zip open/close, pourable, web handle powder bulk consumer bag with handles in the folded in and over position.

FIG. 7 is a top plan view of the stand alone, zip open/close, pourable, web handle powder bulk consumer bag of FIG. 6.

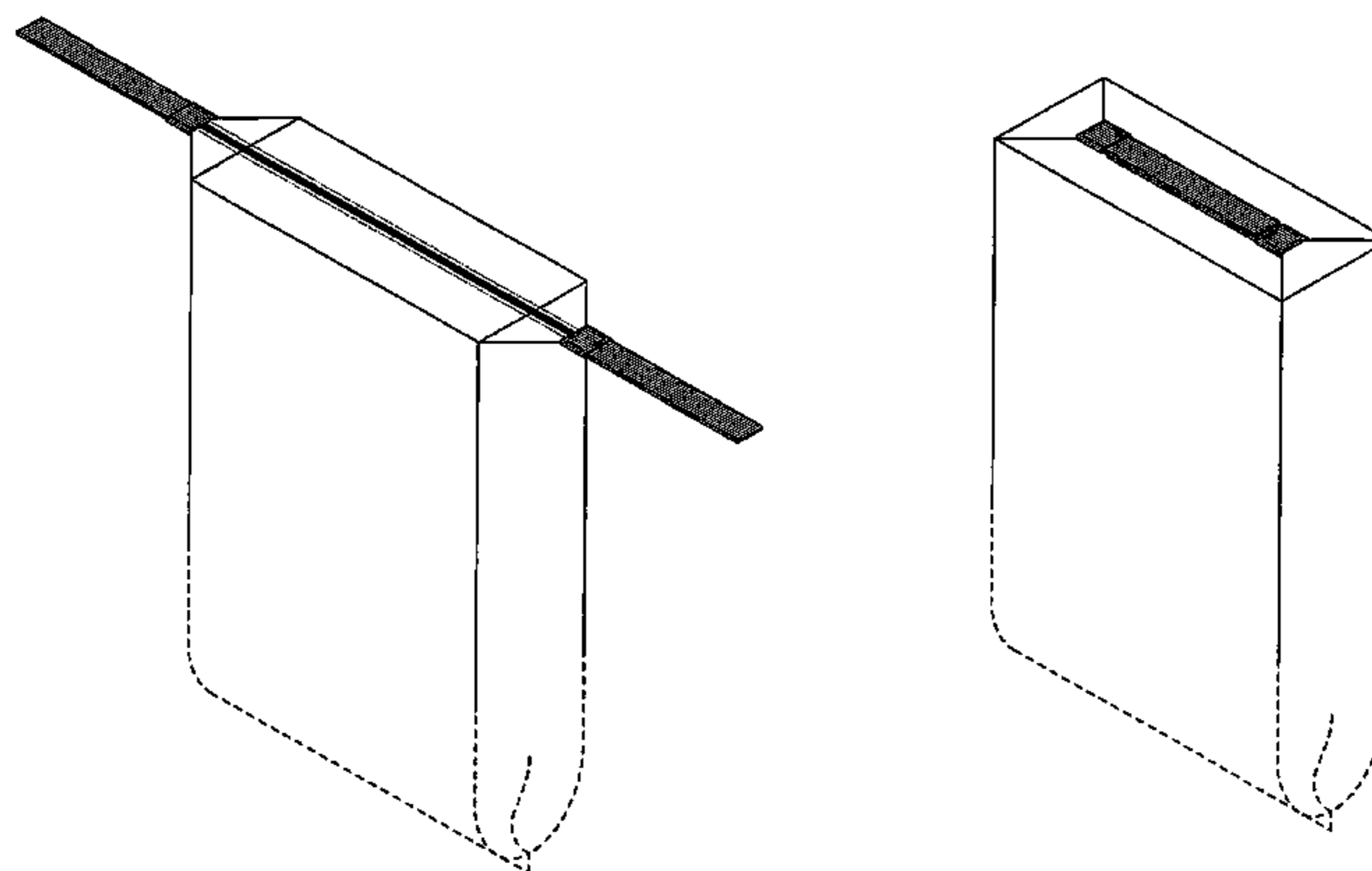
FIG. 8 is a side elevation of the stand alone, zip open/close, pourable, web handle powder bulk consumer bag of FIG. 6, the opposite side of which is a mirror image.

FIG. 9 is a left end elevation of the stand alone, zip open/close, pourable, web handle powder bulk consumer bag of FIG. 6, as viewed from FIG. 8; and,

FIG. 10 is right end elevation of the stand alone, zip open/close, pourable, web handle powder bulk consumer bag of FIG. 6, as viewed from FIG. 8.

The dotted broken lines shown in FIGS. 3-5 illustrate stitching and form part of the claimed design. The dashed broken lines in the drawings illustrate portions of the stand alone, zip open/close, pourable, web handle powder bulk consumer bag which form no part of the claimed design.

**1 Claim, 4 Drawing Sheets**



(56)

**References Cited**

U.S. PATENT DOCUMENTS

6,234,676 B1 \* 5/2001 Galomb et al. .... 383/63  
D458,121 S \* 6/2002 Ichikawa ..... D9/709  
6,398,412 B2 \* 6/2002 Wedi et al. .... 383/211  
D470,754 S \* 2/2003 Ichikawa ..... D9/709  
D482,959 S \* 12/2003 Emsun ..... D9/709

D482,966 S \* 12/2003 Booth et al. .... D9/709  
D501,134 S \* 1/2005 Takahashi et al. .... D9/703  
D550,569 S \* 9/2007 Berman ..... D9/707  
D583,680 S \* 12/2008 Berman ..... D9/707  
D584,165 S \* 1/2009 Kerr et al. .... D9/705  
D597,853 S \* 8/2009 Kerr et al. .... D9/705  
D696,143 S \* 12/2013 Garbow ..... D9/705

\* cited by examiner

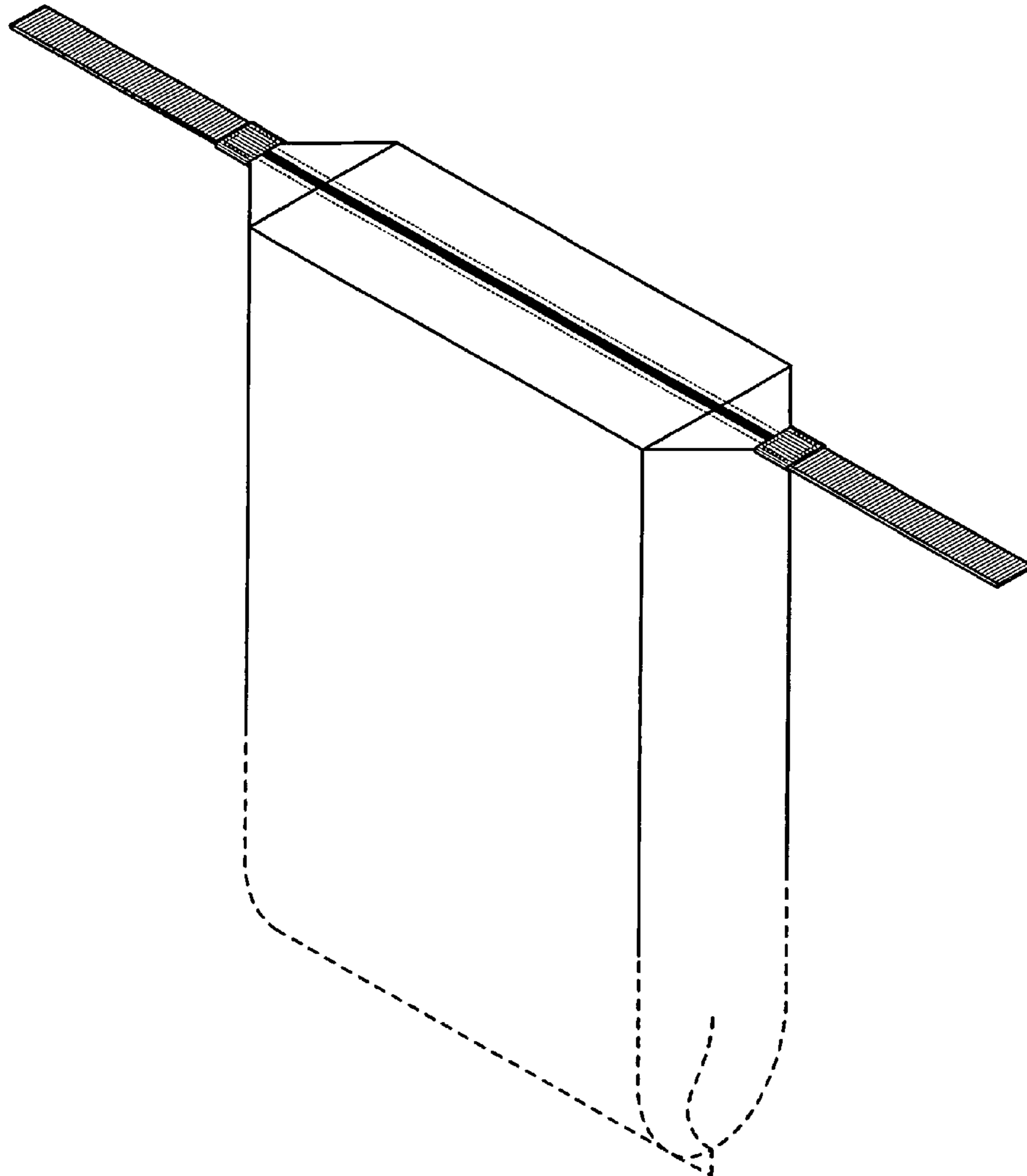


FIG. 1

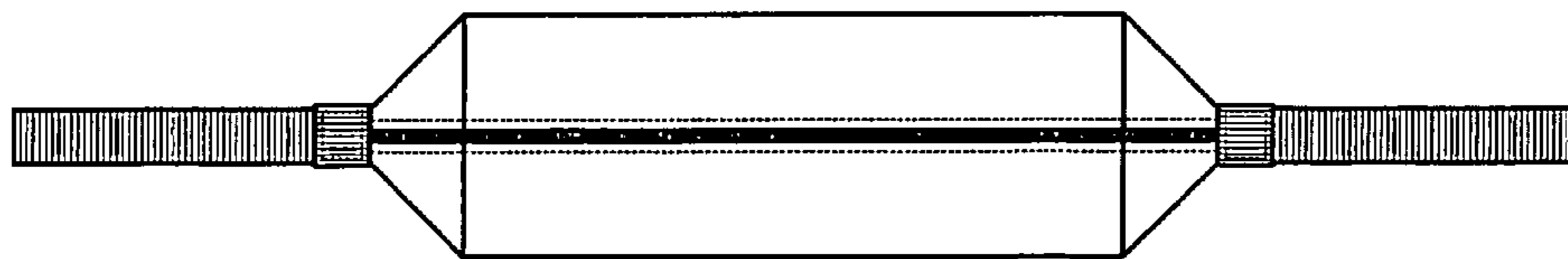


FIG. 2

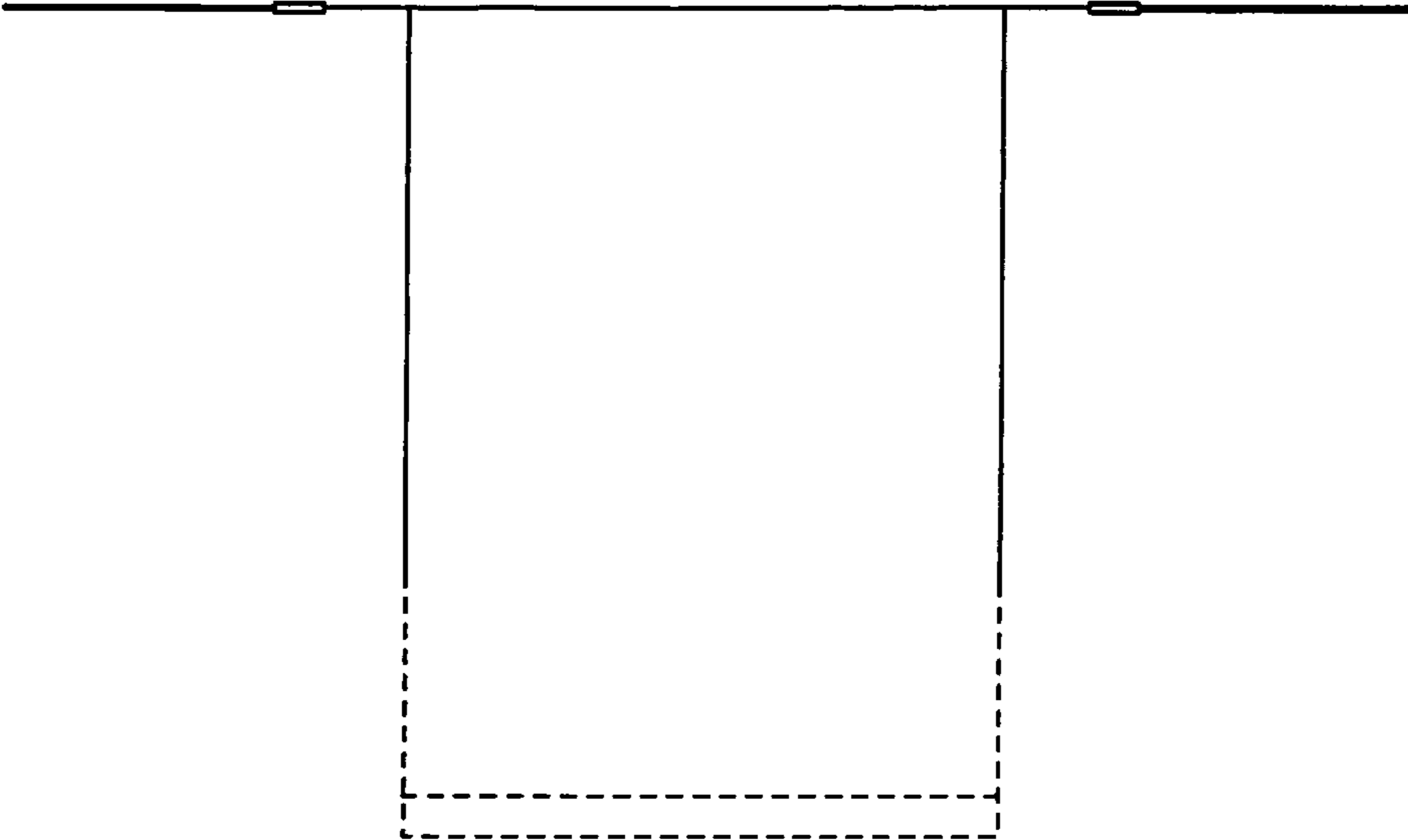


FIG. 3

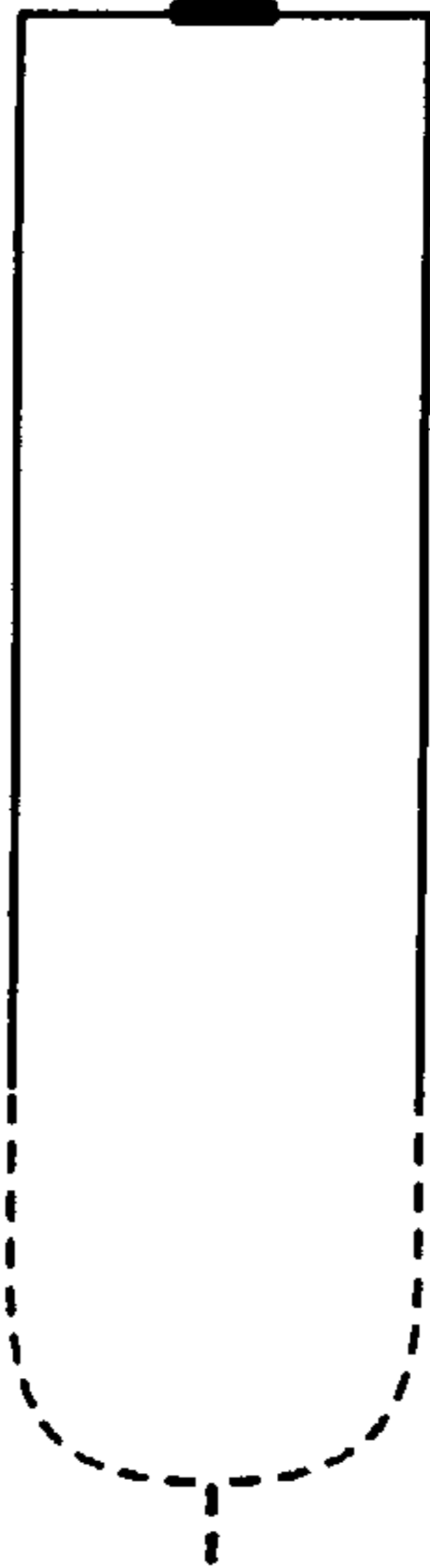


FIG. 4

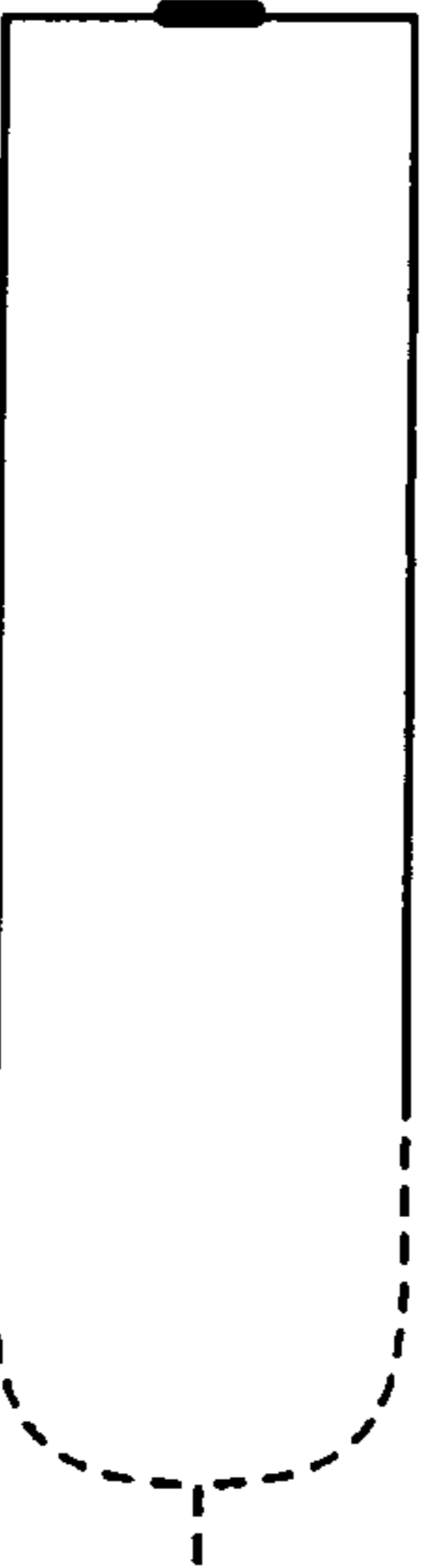
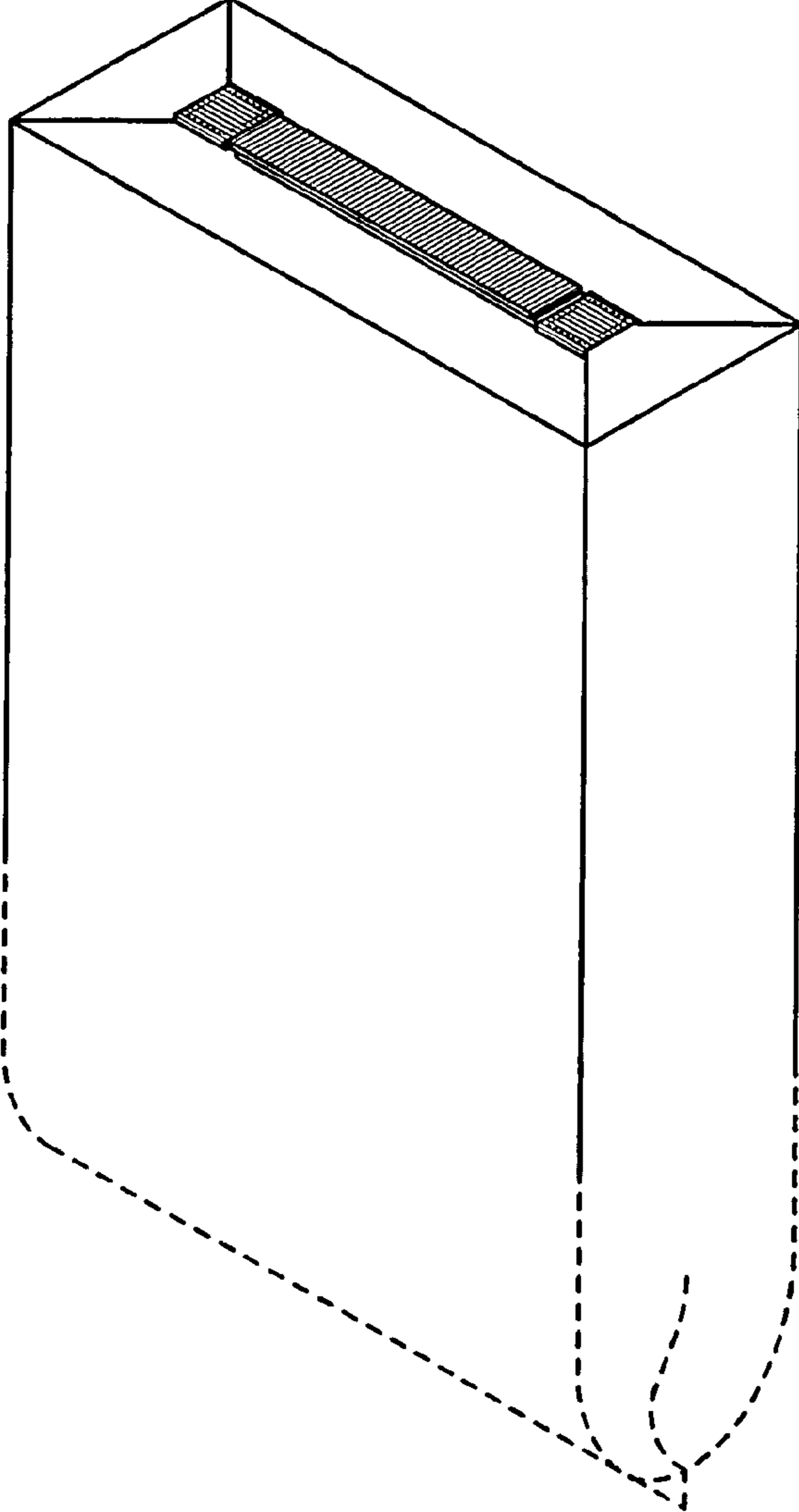
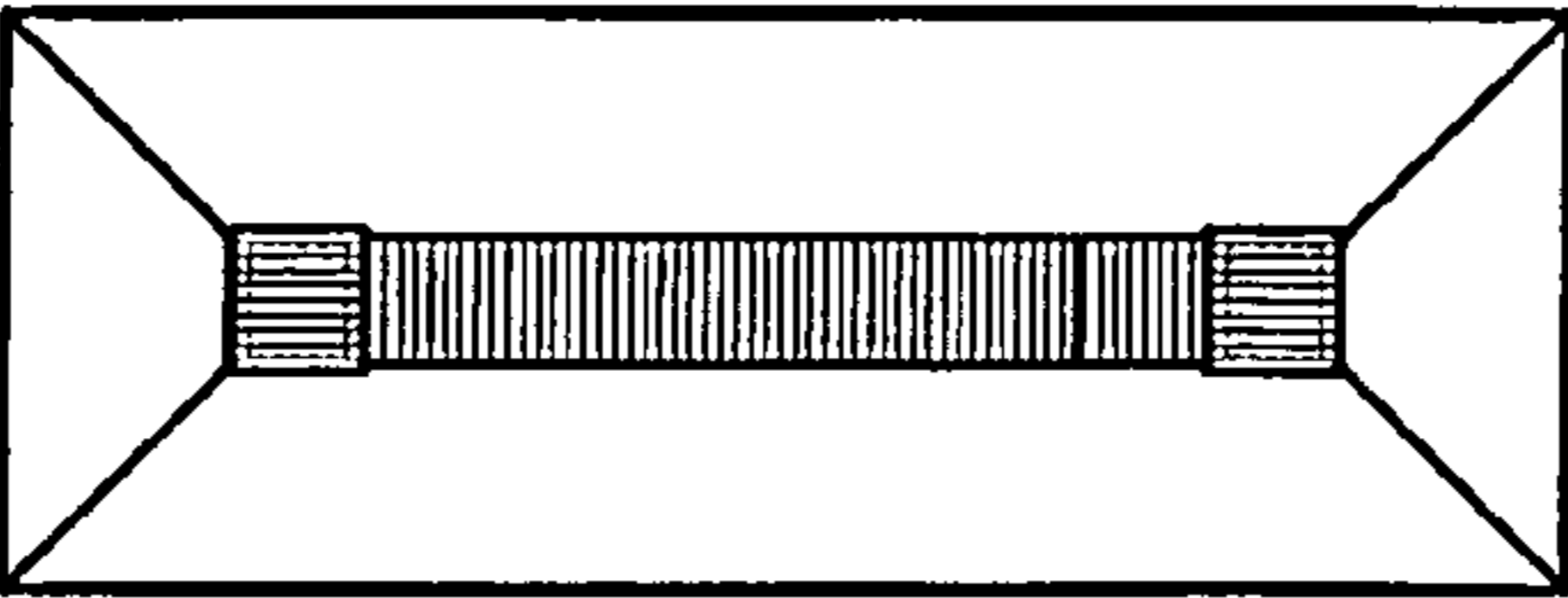


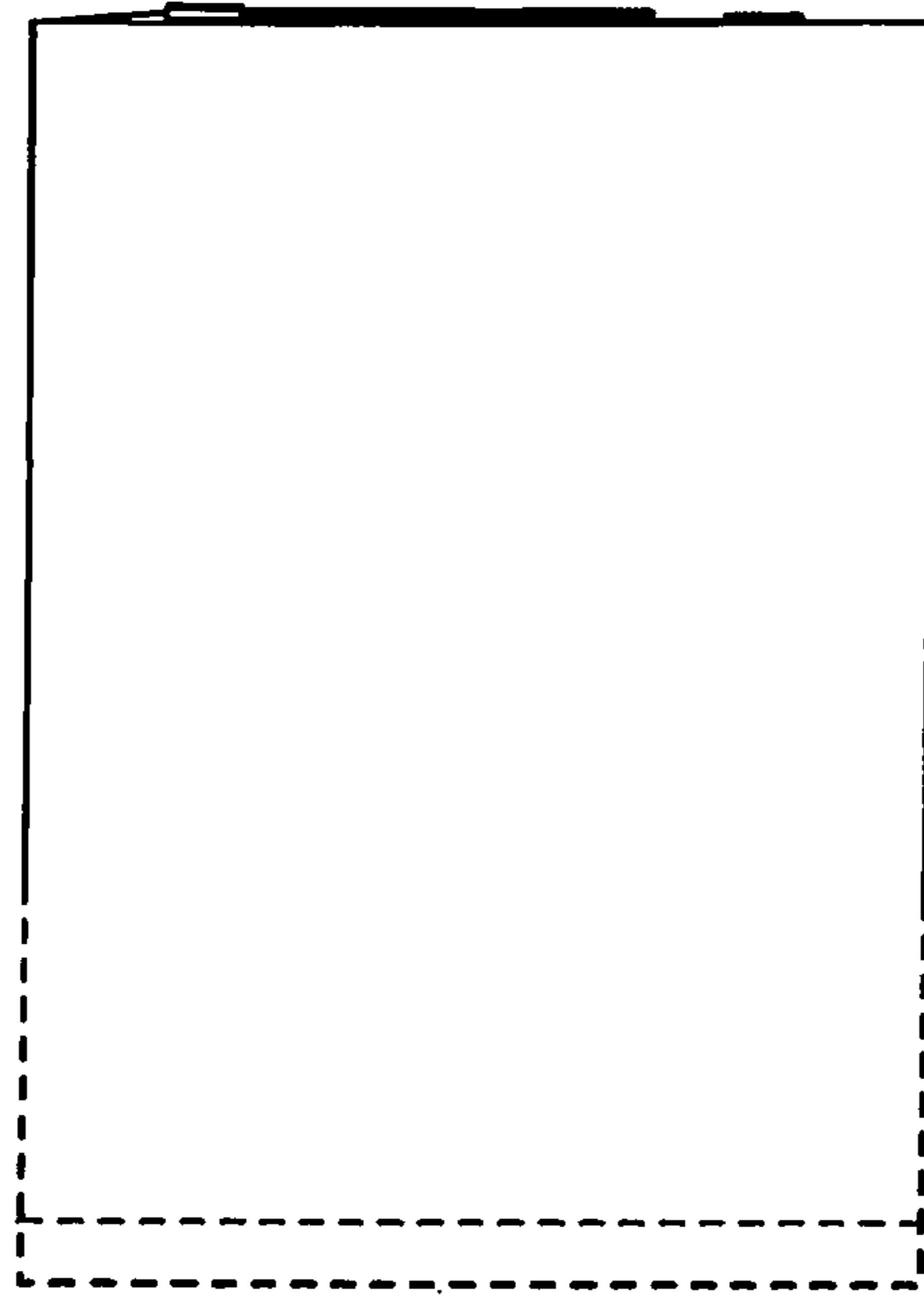
FIG. 5



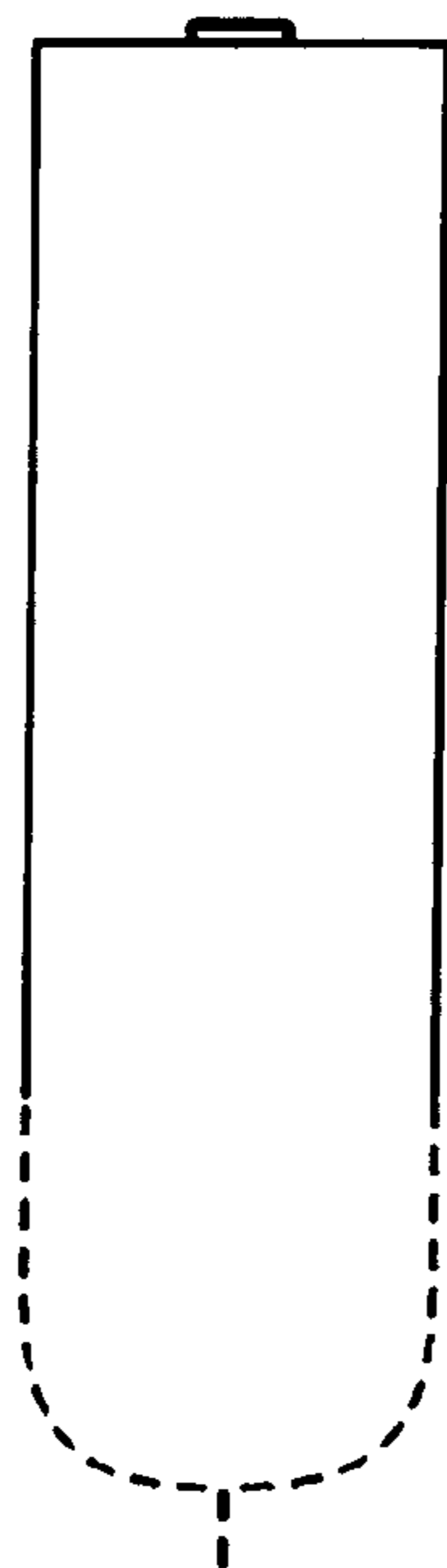
**FIG. 6**



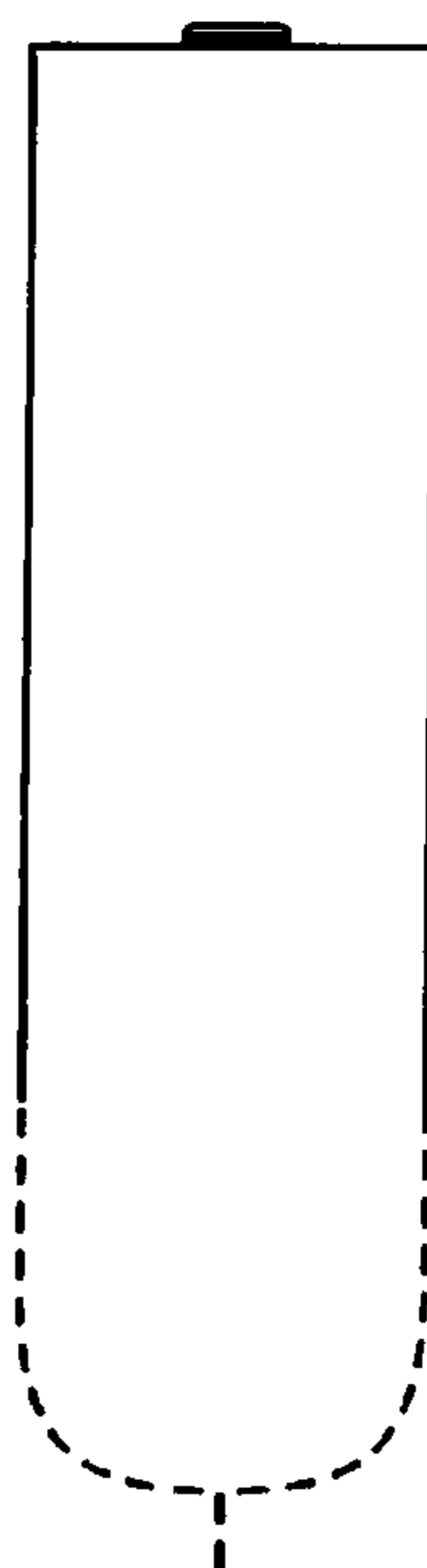
**FIG. 7**



**FIG. 8**



**FIG. 9**



**FIG. 10**