



US00D717539S

(12) **United States Design Patent**  
**Figueroa**

(10) **Patent No.:** **US D717,539 S**  
(45) **Date of Patent:** **\*\* Nov. 18, 2014**

(54) **TOOL HOLDER**

(71) Applicant: **Manuel Anthony Robert Figueroa**,  
Edwards, CO (US)

(72) Inventor: **Manuel Anthony Robert Figueroa**,  
Edwards, CO (US)

(\*\*) Term: **14 Years**

(21) Appl. No.: **29/477,722**

(22) Filed: **Dec. 26, 2013**

(51) **LOC (10) Cl.** ..... **03-01**

(52) **U.S. Cl.**  
USPC ..... **D3/228**

(58) **Field of Classification Search**  
USPC ..... D3/228, 221, 215, 224, 226, 904;  
206/373; 224/219, 222-223, 267, 269,  
224/681, 584, 661, 195, 240, 674, 684, 904,  
224/932; D2/857  
See application file for complete search history.

(56) **References Cited**

**U.S. PATENT DOCUMENTS**

2,400,417	A	5/1946	Hickey	
2,793,617	A	5/1957	Palmer	
4,986,459	A	1/1991	Yarbrough, Jr.	
D343,944	S *	2/1994	Krugler	D3/228
D355,759	S *	2/1995	Koch	D3/228

6,244,486	B1	6/2001	Holland et al.	
7,048,162	B2 *	5/2006	Frye et al.	224/222
7,658,307	B2	2/2010	Skupin	
D621,153	S	8/2010	Parsley et al.	
D621,610	S	8/2010	Parsley et al.	
D625,515	S	10/2010	Parsley et al.	
D625,915	S	10/2010	Parsley et al.	
D674,594	S *	1/2013	Amorello et al.	D3/221
2008/0301863	A1	12/2008	Goff et al.	
2011/0108589	A1	5/2011	Kim	

\* cited by examiner

*Primary Examiner* — Catheri Oliver-Garcia

(74) *Attorney, Agent, or Firm* — Faegre Baker Daniels LLP

(57) **CLAIM**

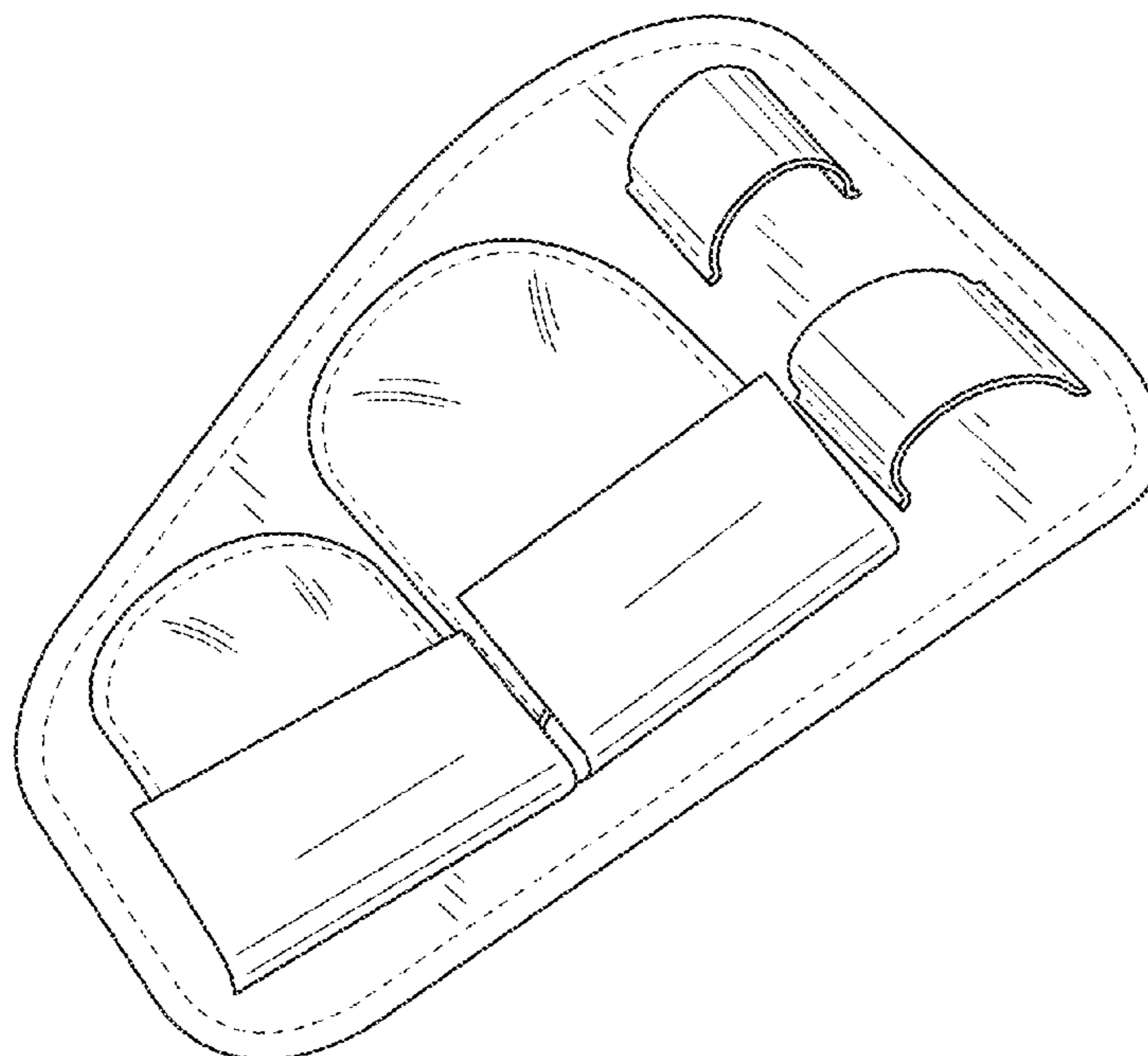
The ornamental design for a tool holder, as shown and described.

**DESCRIPTION**

FIG. 1 is the perspective view of a tool holder showing the new design;  
FIG. 2 is a front side view thereof;  
FIG. 3 is a rear view thereof;  
FIG. 4 is a right side view thereof;  
FIG. 5 is a left view thereof;  
FIG. 6 is a top view thereof; and,  
FIG. 7 is a bottom view thereof.

The broken line showing the attachment mechanism, indicated by a first broken line, and the stitching, indicated by a second broken line are for the purpose of showing environmental structure and forms no part of the claimed design.

**1 Claim, 5 Drawing Sheets**



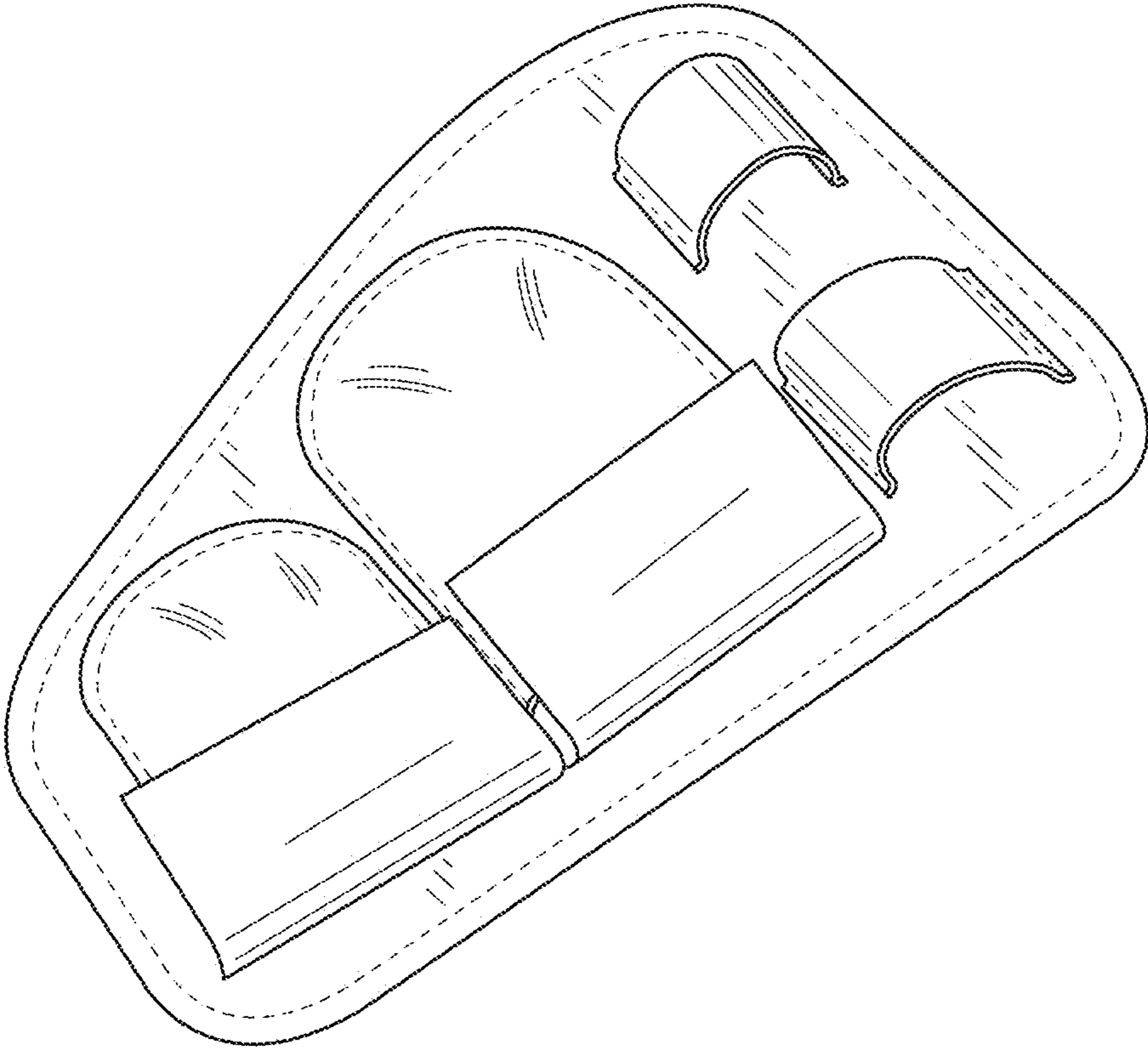


FIG.1

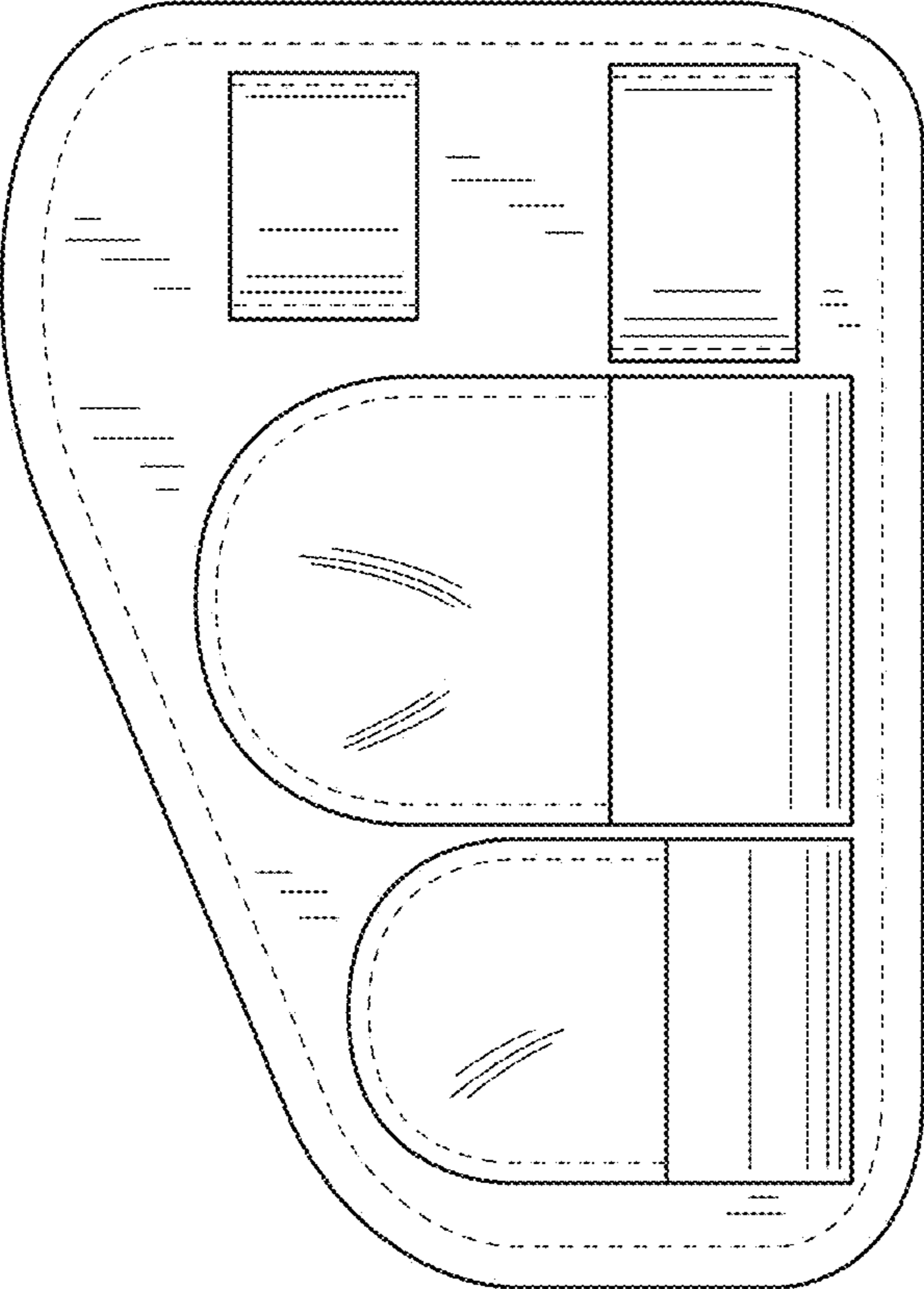


FIG.2

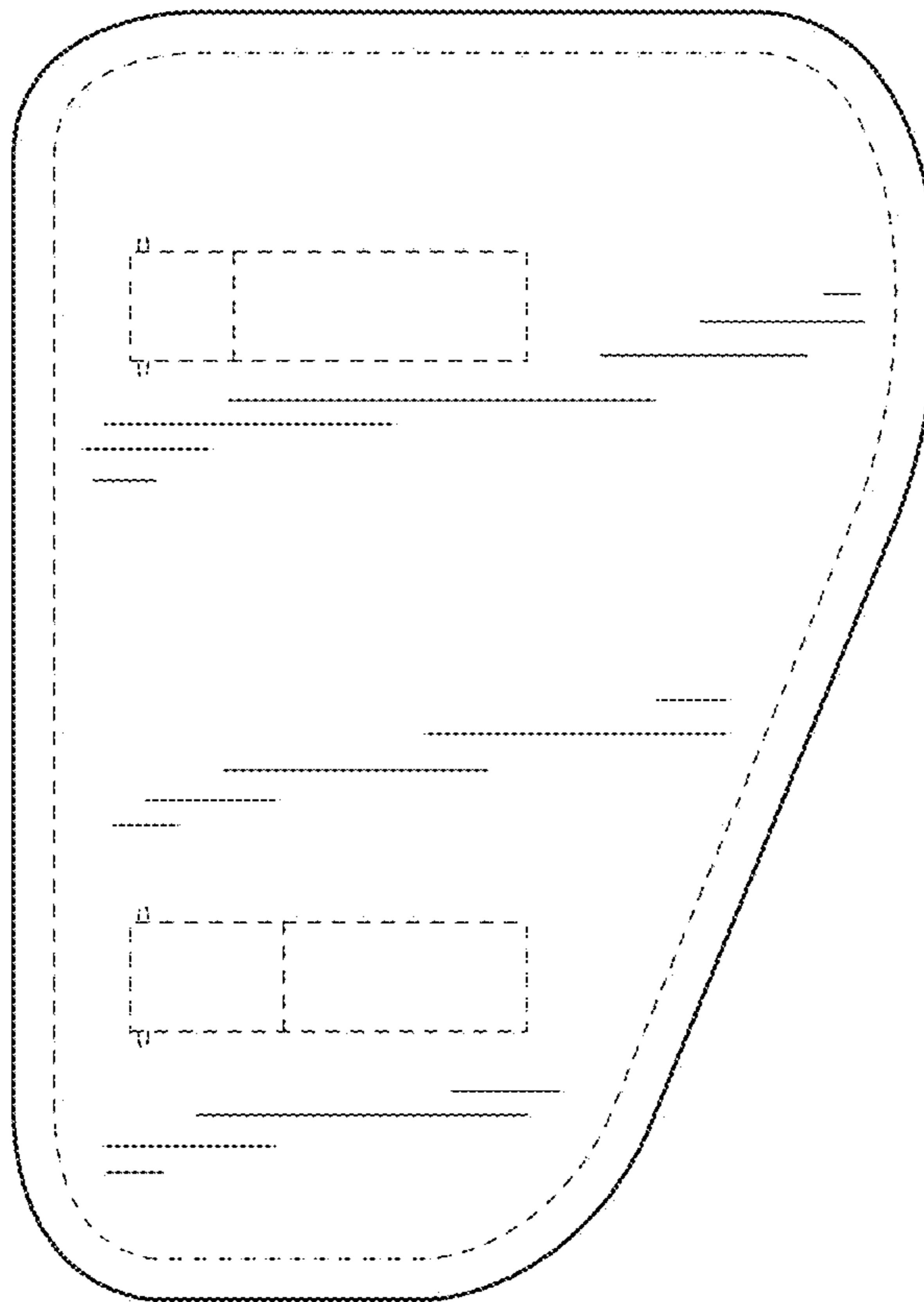


FIG.3

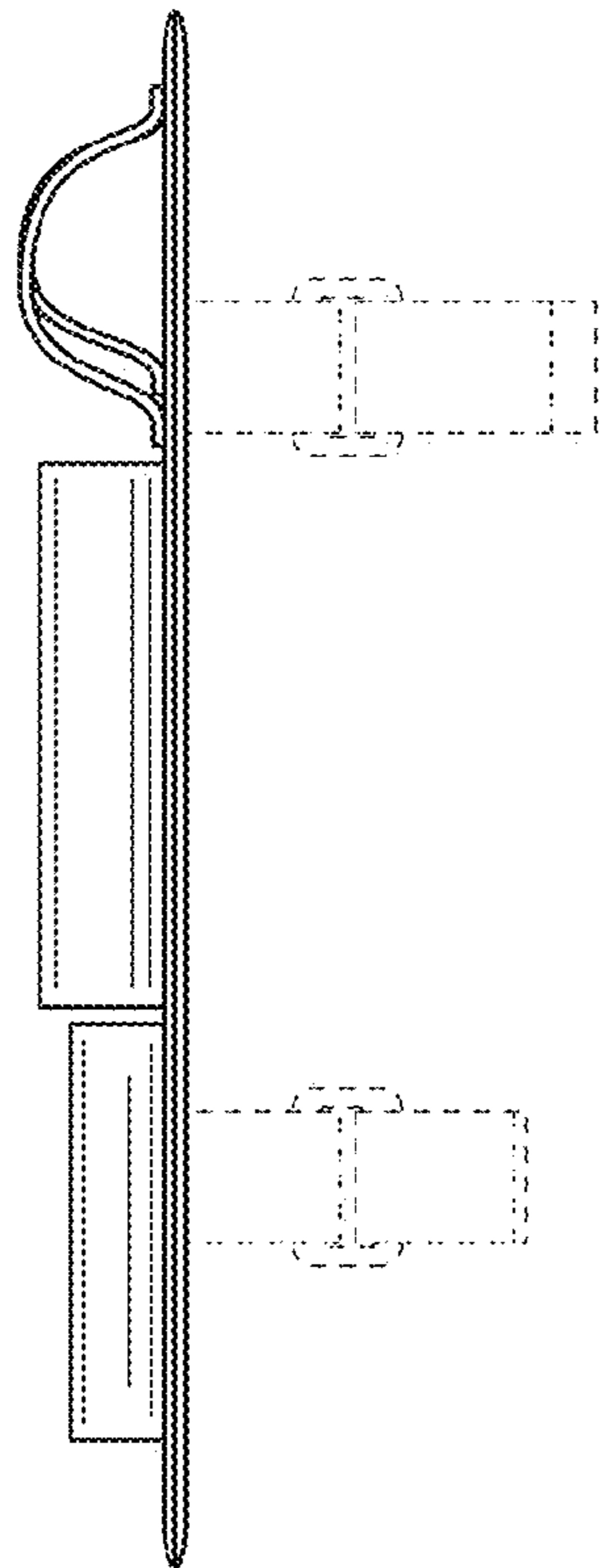


FIG.4

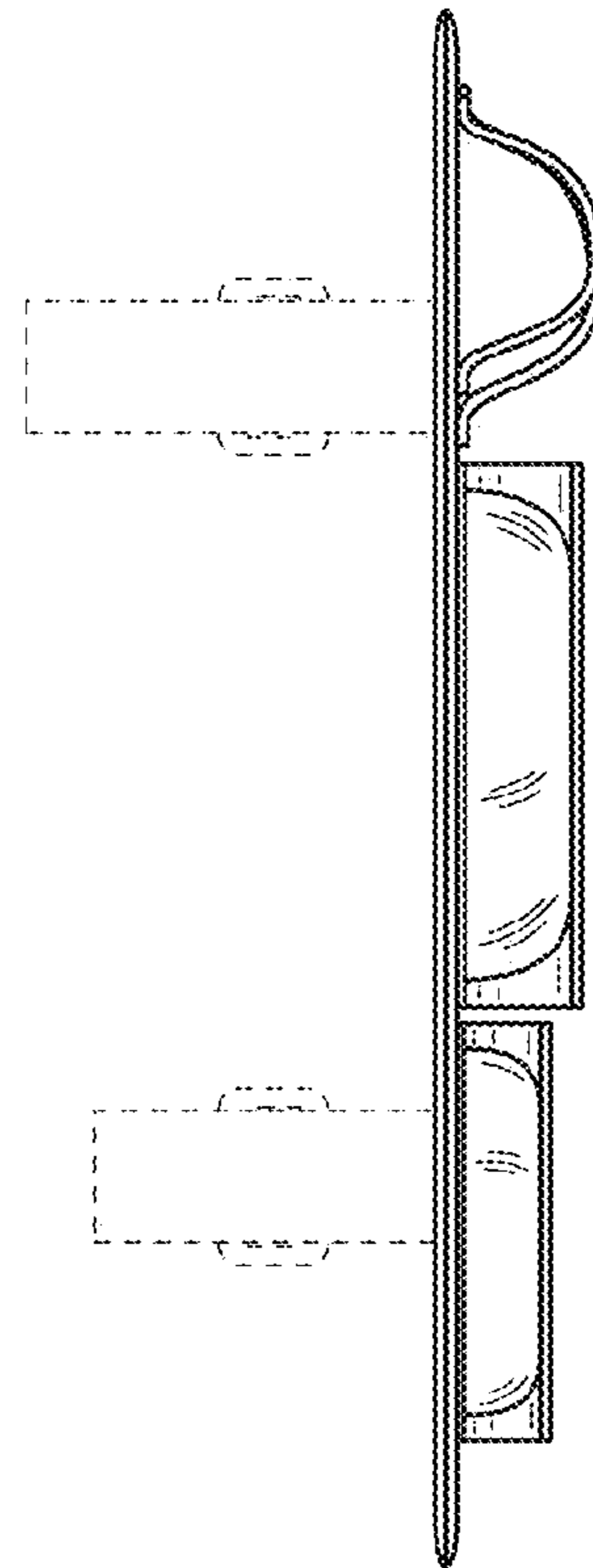


FIG.5

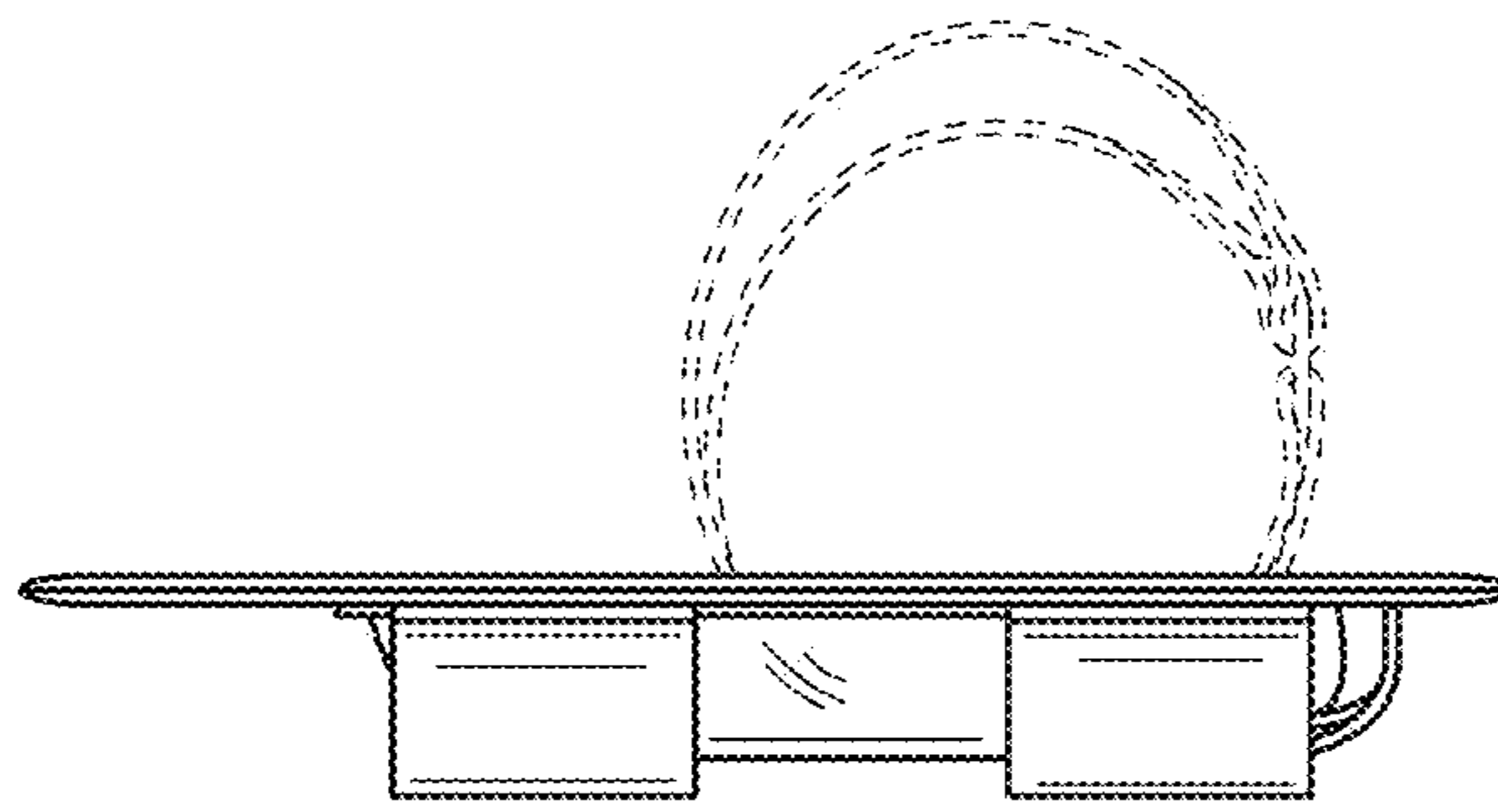


FIG. 6

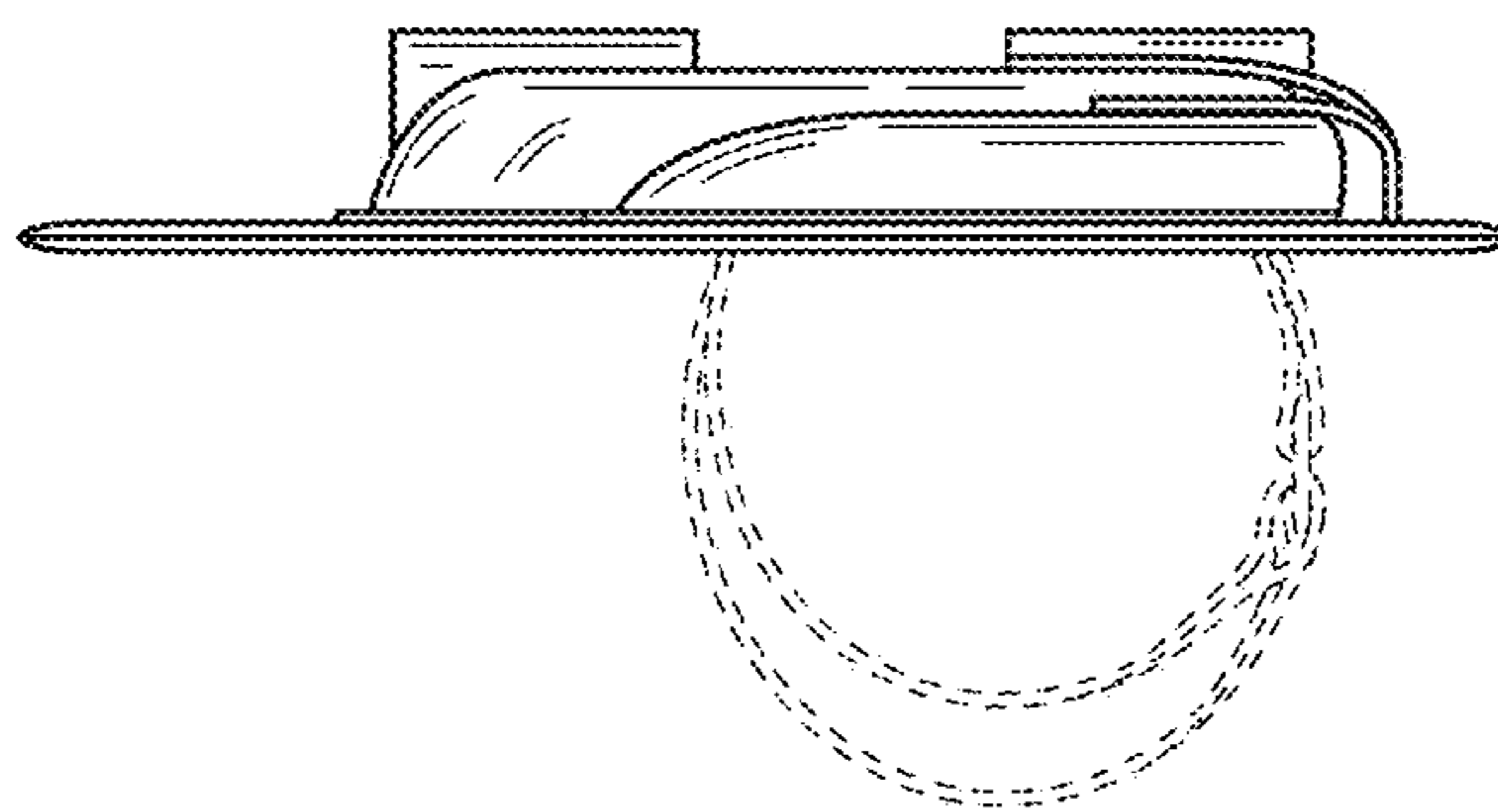


FIG. 7