

US00D717519S

(12) **United States Design Patent**  
**Leder et al.**

(10) **Patent No.:** **US D717,519 S**  
(45) **Date of Patent:** **\*\* Nov. 18, 2014**

- (54) **DEBOSSSED CHEWING GUM STICK**
- (71) Applicant: **Wm. Wrigley Jr. Company**, Chicago, IL (US)
- (72) Inventors: **Steven Leder**, Morrow, OH (US); **Shane Jallick**, Cincinnati, OH (US)
- (73) Assignee: **Wm. Wrigley Jr. Company**, Chicago, IL (US)
- (\*\*) Term: **14 Years**
- (21) Appl. No.: **29/486,209**
- (22) Filed: **Mar. 27, 2014**
- (51) **LOC (10) Cl.** ..... **01-01**
- (52) **U.S. Cl.**  
USPC ..... **D1/127; D1/114**
- (58) **Field of Classification Search**  
CPC ..... A23G 4/02; A23G 4/06; A23G 4/08; A23G 4/10; A23G 4/20; A23G 4/00; A23G 3/38; A23G 3/42; A23G 3/54; A23K 1/164  
USPC ..... D1/100-130, 199; D24/101, 102; 426/3, 5, 87, 89, 92, 103, 104, 129, 426/138, 144, 249, 383, 512, 516, 660, 426/808; 424/467; D25/113, 119, 121-132; D21/499; D5/55-58, 62  
See application file for complete search history.

7,112,345	B1 *	9/2006	McHale et al.	.....	426/5
D588,776	S *	3/2009	Kanamoto	.....	D1/101
D617,079	S *	6/2010	Brown et al.	.....	D1/127
D641,948	S *	7/2011	Brueya et al.	.....	D1/127
D666,377	S *	9/2012	Correa et al.	.....	D1/114
D686,386	S *	7/2013	Jani et al.	.....	D1/127
D699,916	S *	2/2014	Rodgers et al.	.....	D1/127
2009/0028998	A1 *	1/2009	Elejalde et al.	.....	426/5

**OTHER PUBLICATIONS**

Five Gum, Jun. 4, 2010. [online.] [retrieved on Jul. 7, 2014]. Retrieved from internet <URL: [http://commons.wikimedia.org/wiki/File:Five\\_Gum.JPG](http://commons.wikimedia.org/wiki/File:Five_Gum.JPG)>.\*

Five Gum II, Dec. 22, 2008. [online.] [retrieved on Jul. 7, 2014]. Retrieved from internet <URL: <http://www.sodahead.com/fun/what-kind-of-5-gum-do-you-like-the-best/question-215144/?link=ibaf&q=&esrc=s>>.\*

\* cited by examiner

*Primary Examiner* — Barbara Fox  
*Assistant Examiner* — Katie Mroczka  
 (74) *Attorney, Agent, or Firm* — Gordon N. McGrew

(57) **CLAIM**

The ornamental design for a debossed chewing gum stick, as shown and described.

**DESCRIPTION**

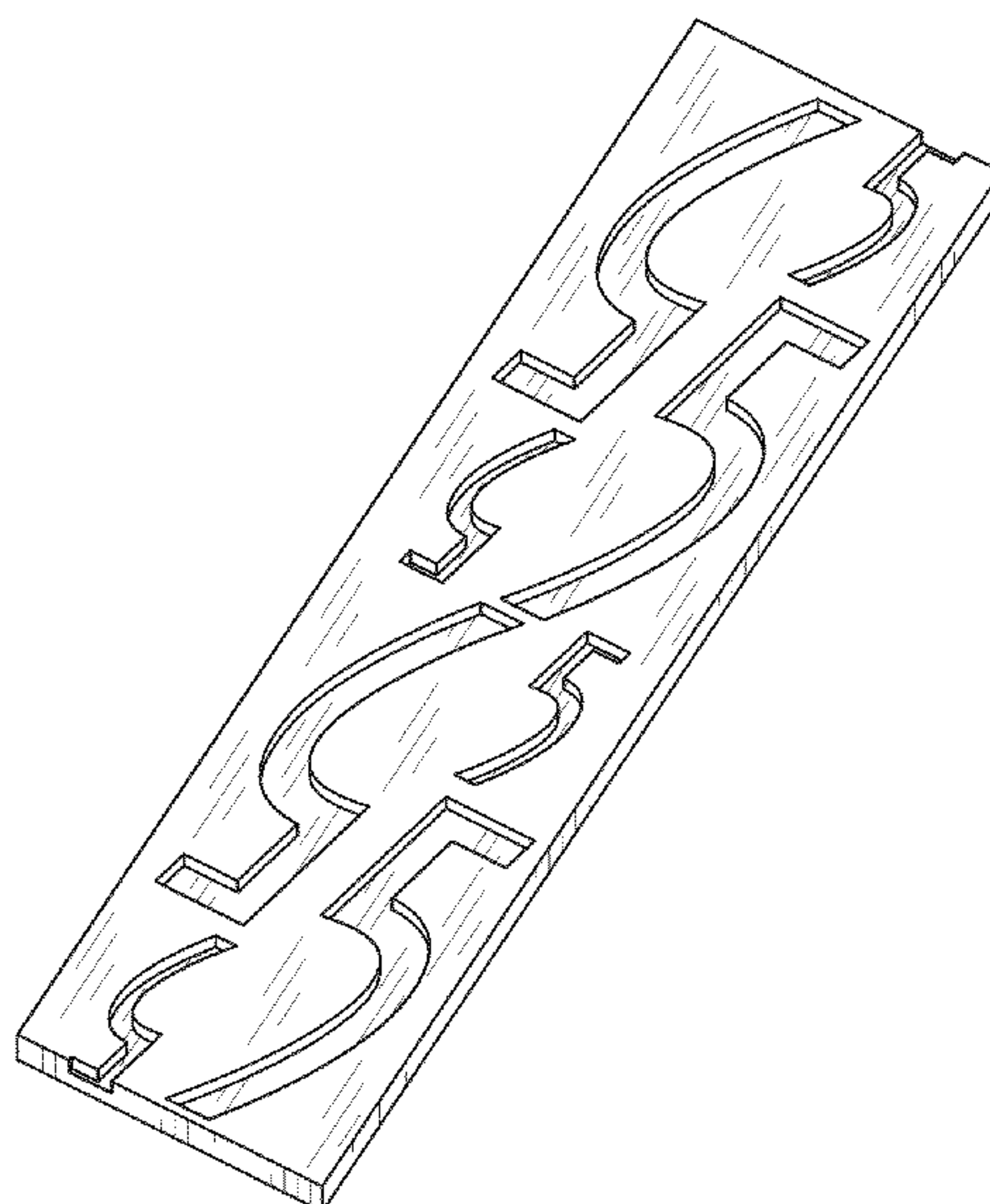
FIG. 1 is a right perspective view of a debossed chewing gum stick showing our new design;  
 FIG. 2 is a front elevation view of FIG. 1;  
 FIG. 3 is a rear elevation view of FIG. 1;  
 FIG. 4 is a left side elevation view of FIG. 1;  
 FIG. 5 is a right side elevation view of FIG. 1;  
 FIG. 6 is a top plan view of FIG. 1; and,  
 FIG. 7 is a bottom plan view of FIG. 1.

**1 Claim, 2 Drawing Sheets**

(56) **References Cited**

**U.S. PATENT DOCUMENTS**

1,855,145	A *	4/1932	Bartlett	.....	426/87
5,376,388	A *	12/1994	Meyers	.....	426/5
5,840,119	A *	11/1998	Stefanello et al.	.....	117/208
D437,100	S *	2/2001	Sancho	.....	D1/105
7,090,881	B2 *	8/2006	Sirami et al.	.....	426/264



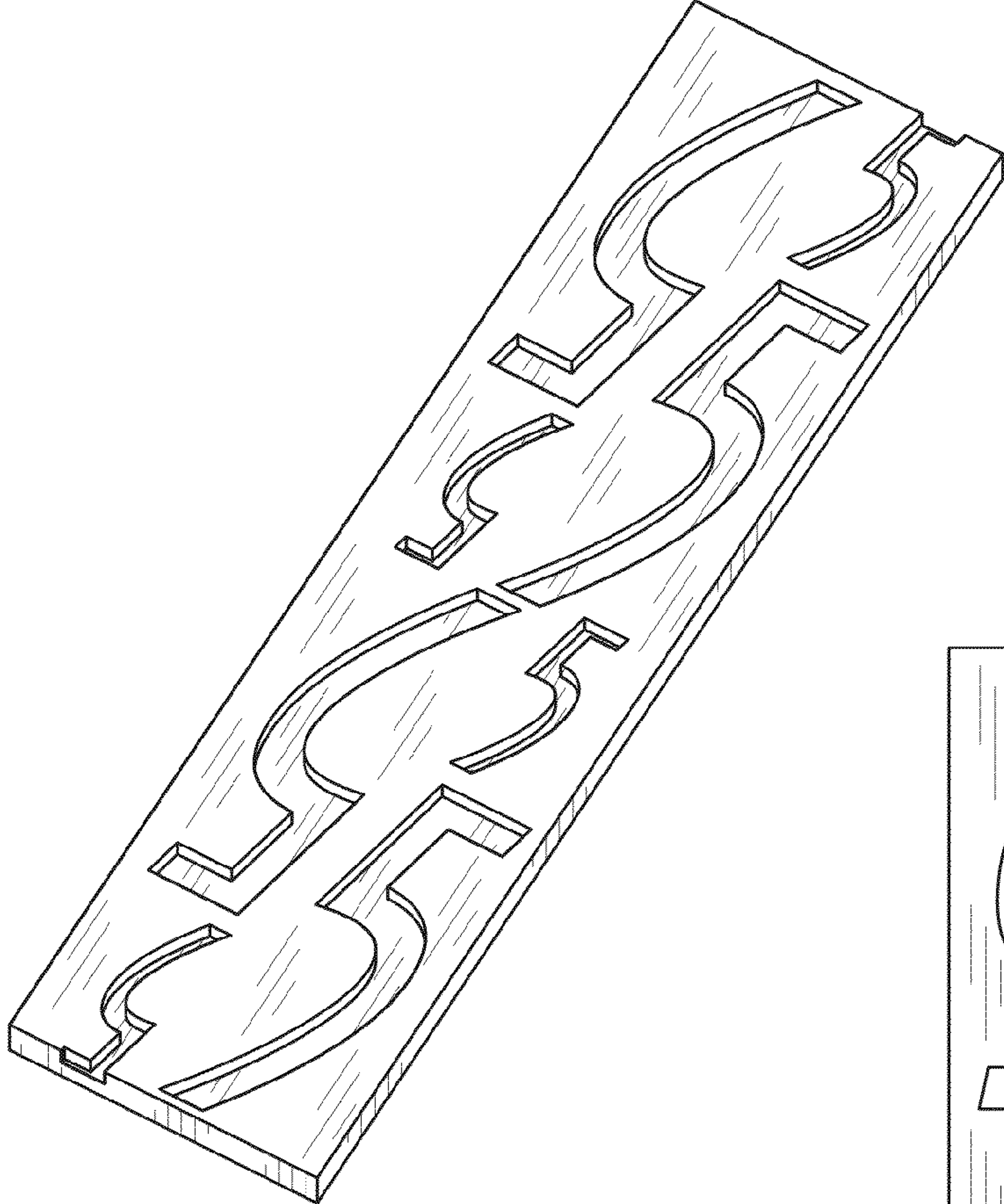


FIG. 1

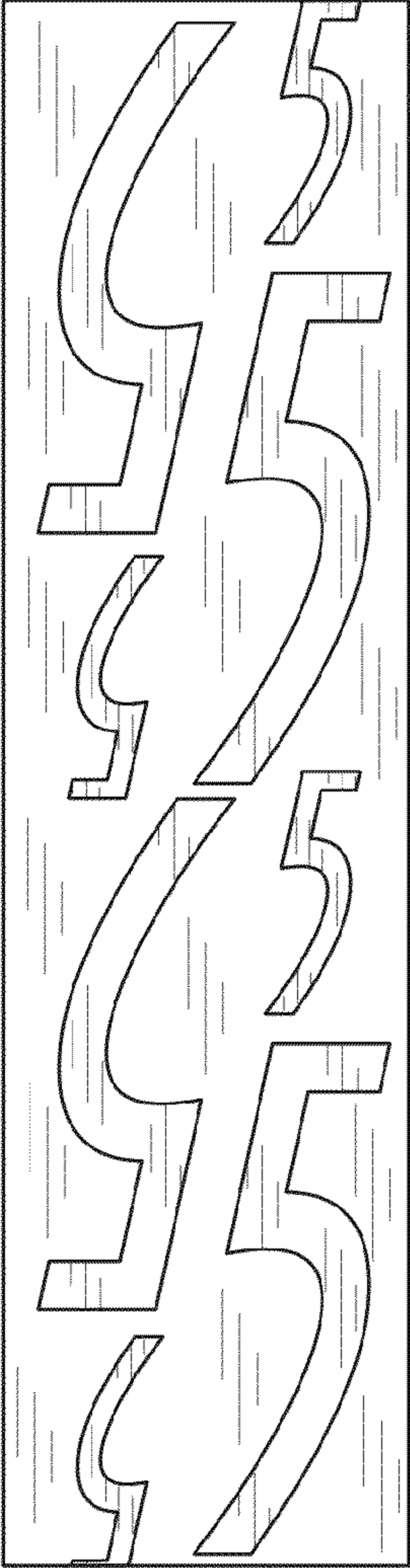
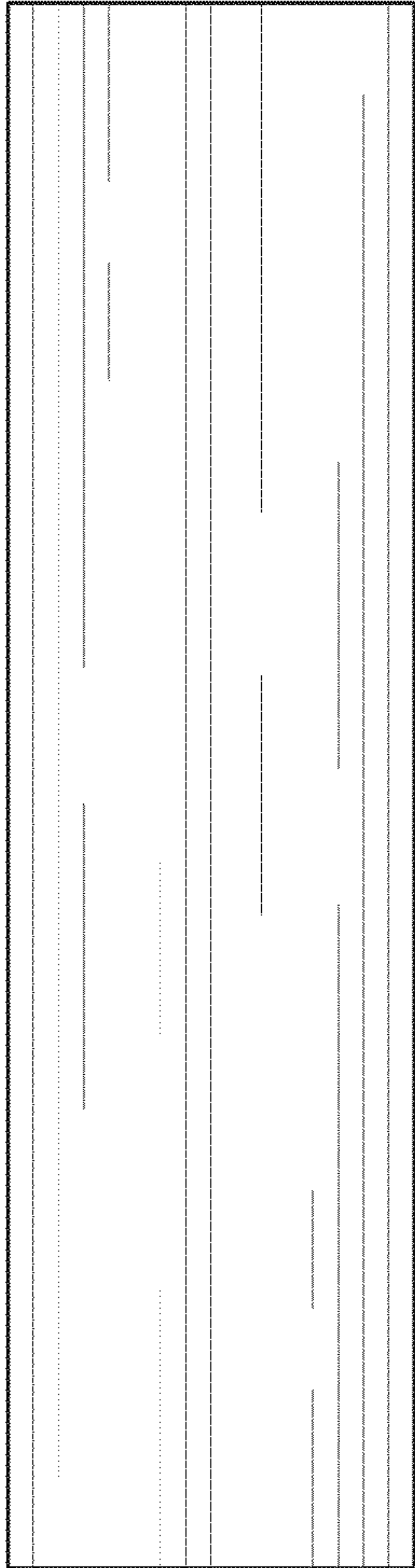


FIG. 2



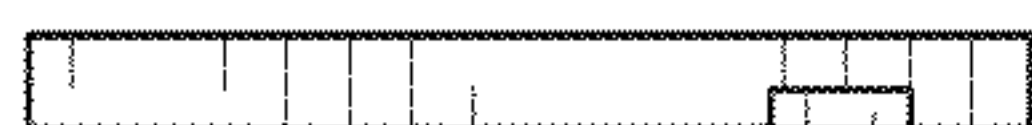
**FIG. 3**



**FIG. 4**



**FIG. 5**



**FIG. 6**



**FIG. 7**