



US00D717510S

(12) **United States Design Patent**
Machács

(10) **Patent No.:** **US D717,510 S**

(45) **Date of Patent:** **** Nov. 11, 2014**

(54) **DRYING TOOLS**

(75) Inventor: **Márton Machács**, Budapest (HU)

(73) Assignee: **Márton MACHÁCS**, Budapest (HU)

(**) Term: **14 Years**

(21) Appl. No.: **29/402,131**

(22) Filed: **Sep. 21, 2011**

(30) **Foreign Application Priority Data**

Aug. 4, 2011	(EM)	001900762-0001
Aug. 4, 2011	(EM)	001900762-0002
Aug. 4, 2011	(EM)	001900762-0003
Aug. 4, 2011	(EM)	001900762-0004

(51) **LOC (10) Cl.** **07-05**

(52) **U.S. Cl.**
USPC **D32/60**

(58) **Field of Classification Search**
USPC D32/60, 35; D4/199; D6/328, 513;
D8/356, 377, 382; 248/58; 403/209;
385/136, 137; 223/85, 98; 606/151;
211/119.01, 119.1, 119.12, 119.13,
211/119.18; 15/256.6; 254/389
See application file for complete search history.

(56) **References Cited**

U.S. PATENT DOCUMENTS

2,229,071	A *	1/1941	Godstrey	15/256.6
2,255,154	A *	9/1941	Esposito	15/256.6
D204,889	S *	5/1966	Gingher	D8/377
4,049,357	A *	9/1977	Hamisch, Jr.	403/209
4,845,877	A *	7/1989	Koetje	43/7
5,513,295	A *	4/1996	Go	385/137
D376,061	S *	12/1996	Aulenbach	D6/513
5,966,902	A *	10/1999	Korycki	53/397
6,758,351	B1 *	7/2004	Klingsdal	211/119.18
D505,020	S *	5/2005	Fischer	D6/328
D524,558	S *	7/2006	Fischer	D6/328

D568,723	S *	5/2008	Morgan	D8/356
D598,658	S *	8/2009	Peppard	D4/199
D616,291	S *	5/2010	Roberts et al.	D8/382
D648,499	S *	11/2011	Machacs	D32/60
D658,838	S *	5/2012	Machacs	D32/60
2002/0082619	A1 *	6/2002	Cabak et al.	606/151
2003/0136806	A1 *	7/2003	Mainetti	223/85

* cited by examiner

Primary Examiner — Martie K Holtje

(74) *Attorney, Agent, or Firm* — Stein IP LLC

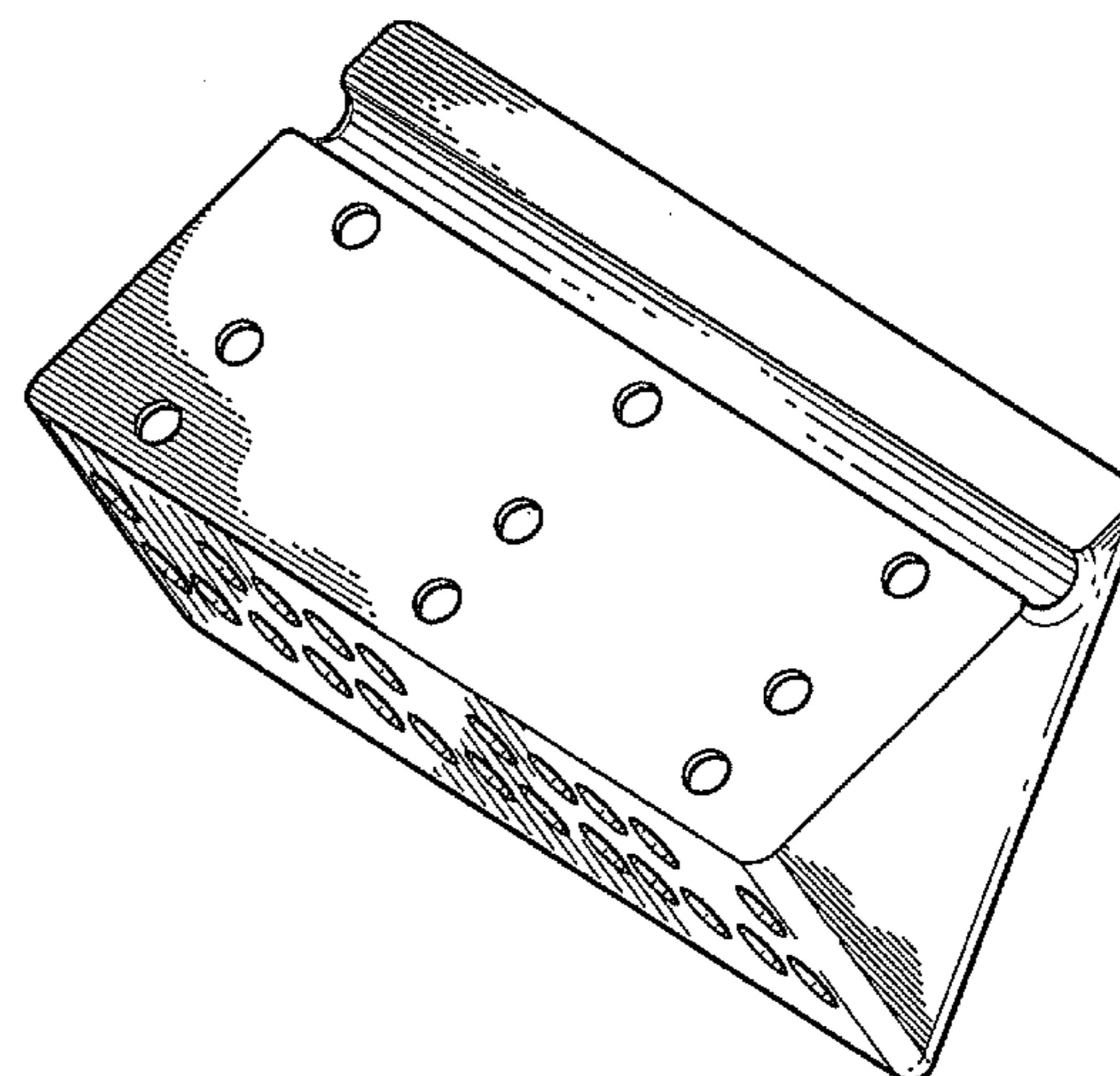
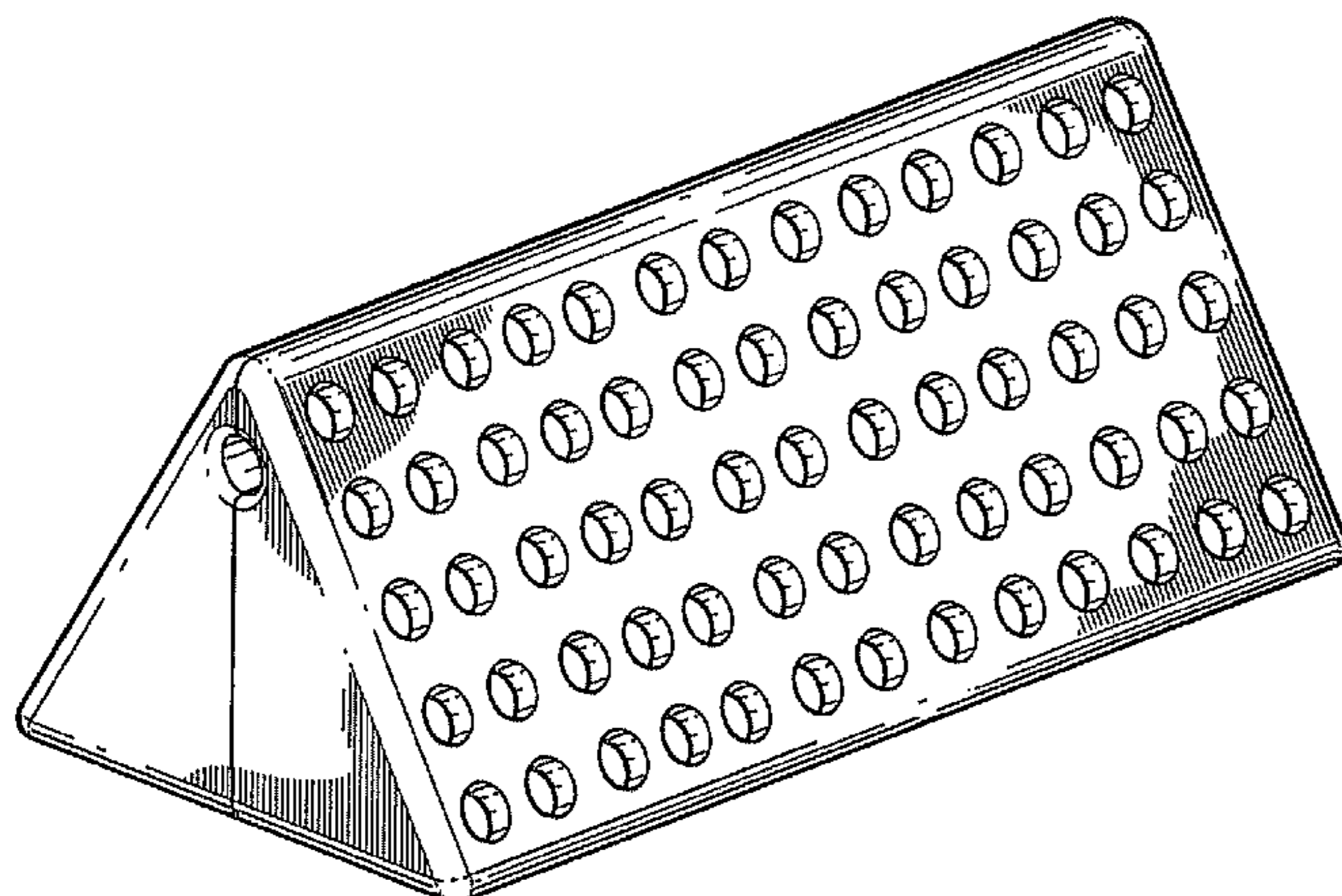
(57) **CLAIM**

The ornamental design for a drying tool, as shown and described.

DESCRIPTION

FIG. 1 is a top perspective view of a first embodiment of a drying tool showing my new design;
 FIG. 2 is a bottom perspective view of FIG. 1;
 FIG. 3 is a top perspective view of the exterior face of one of the triangular segments of FIG. 1;
 FIG. 4 is a bottom perspective view of the interior face of the triangular segment of FIG. 3;
 FIG. 5 is a top perspective view of the exterior face of the other triangular segment of FIG. 1;
 FIG. 6 is a bottom perspective view of the interior face of the triangular segment of FIG. 5;
 FIG. 7 is a top perspective view of a second embodiment of the drying tool of my design of FIG. 1;
 FIG. 8 is a bottom perspective view of FIG. 7;
 FIG. 9 is a top perspective view of the exterior face of one of the triangular segments of FIG. 7;
 FIG. 10 is a bottom perspective view of the interior face of the triangular segment of FIG. 9;
 FIG. 11 is a top perspective view of the exterior face of the other triangular segment of FIG. 7; and,
 FIG. 12 is a bottom perspective view of the interior face of the triangular segment of FIG. 11.

1 Claim, 6 Drawing Sheets



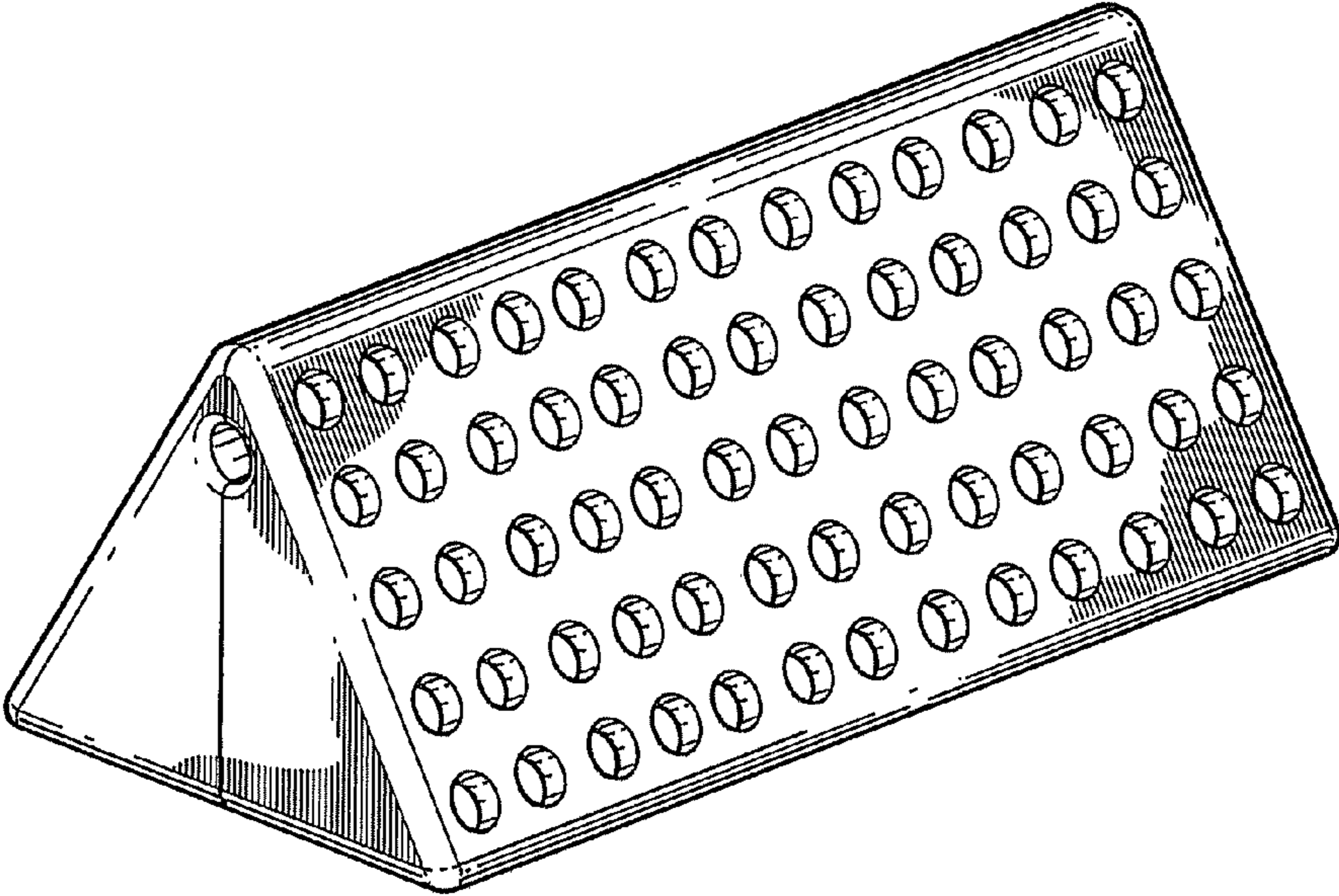


FIG. 1

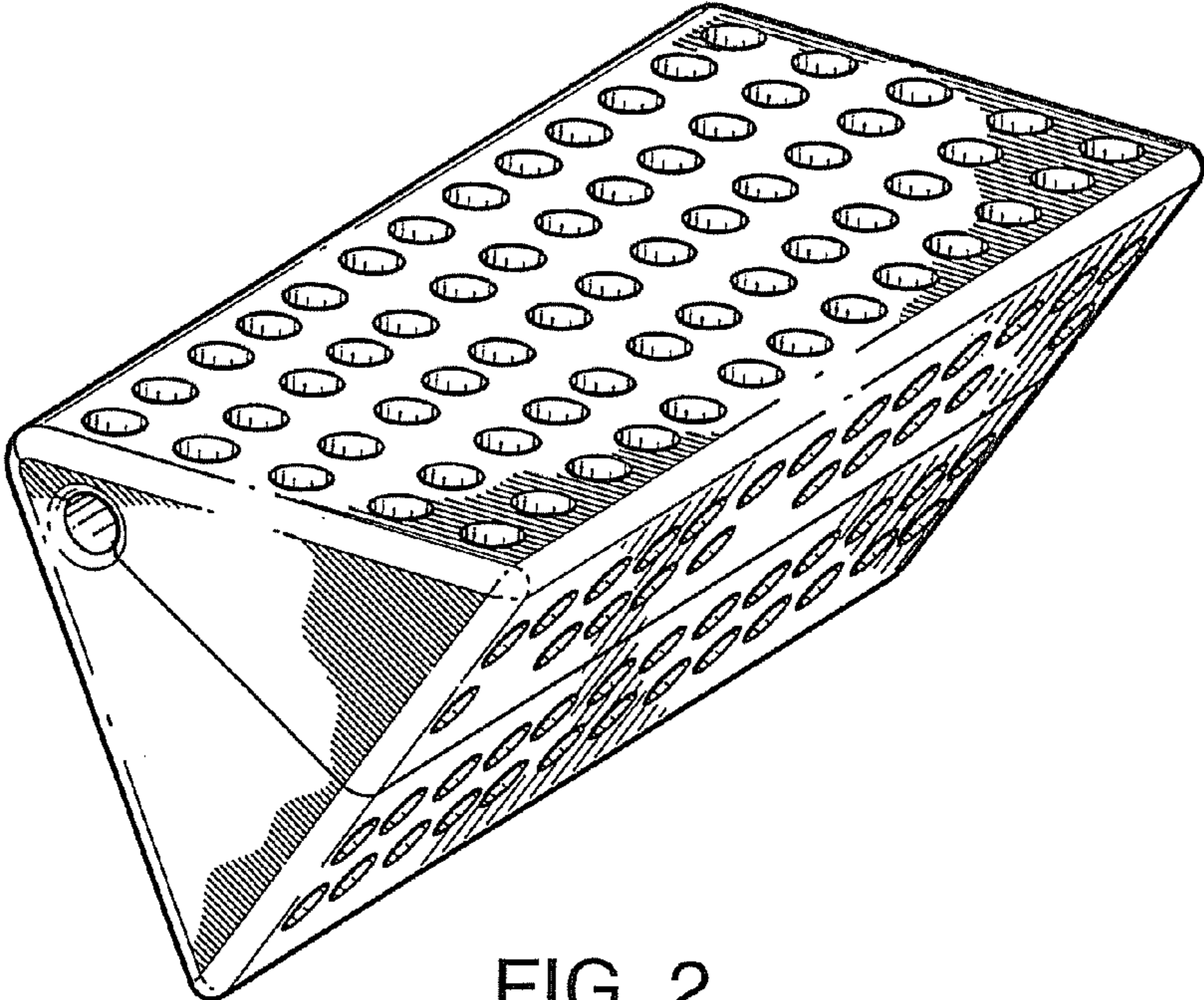


FIG. 2

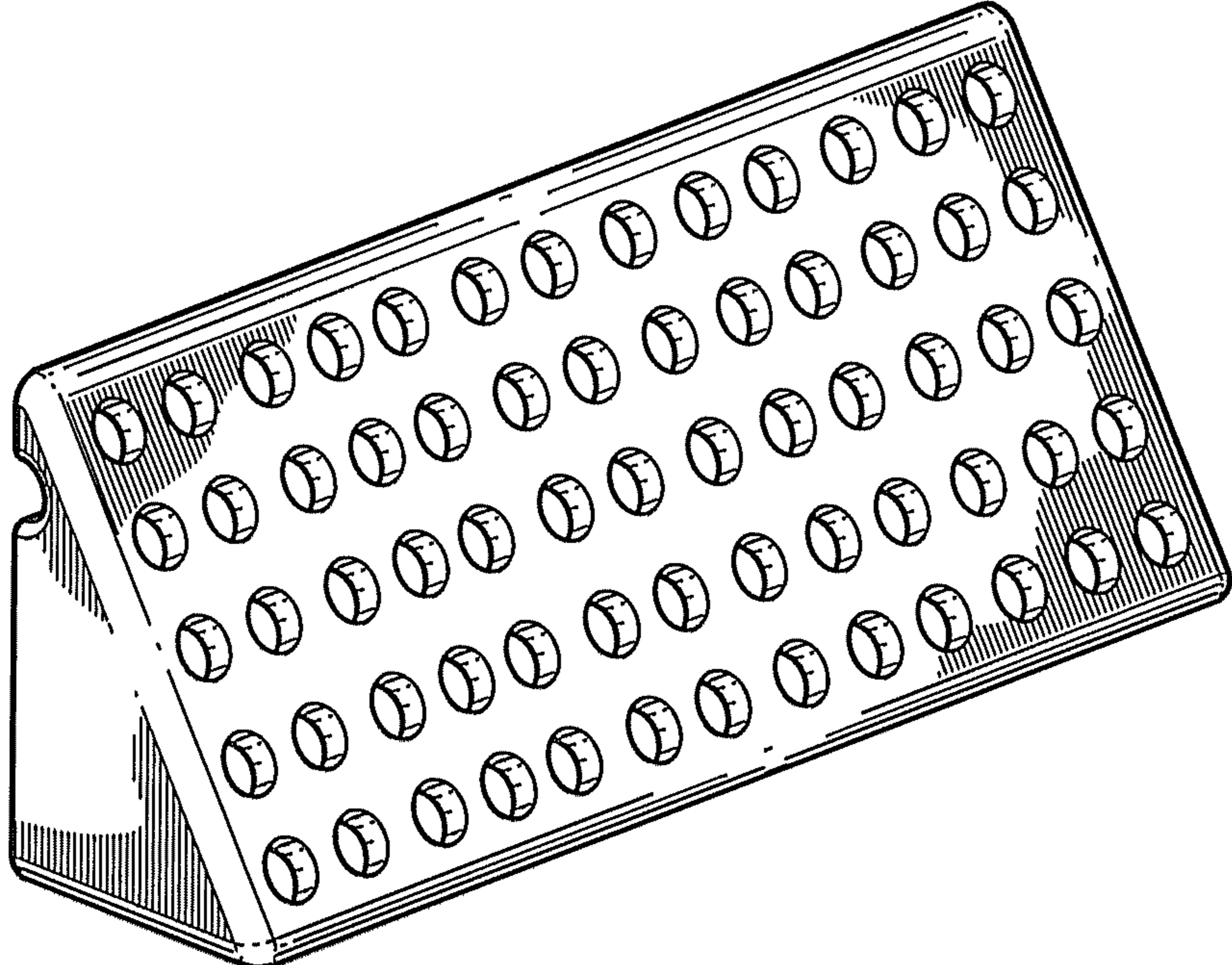


FIG. 3

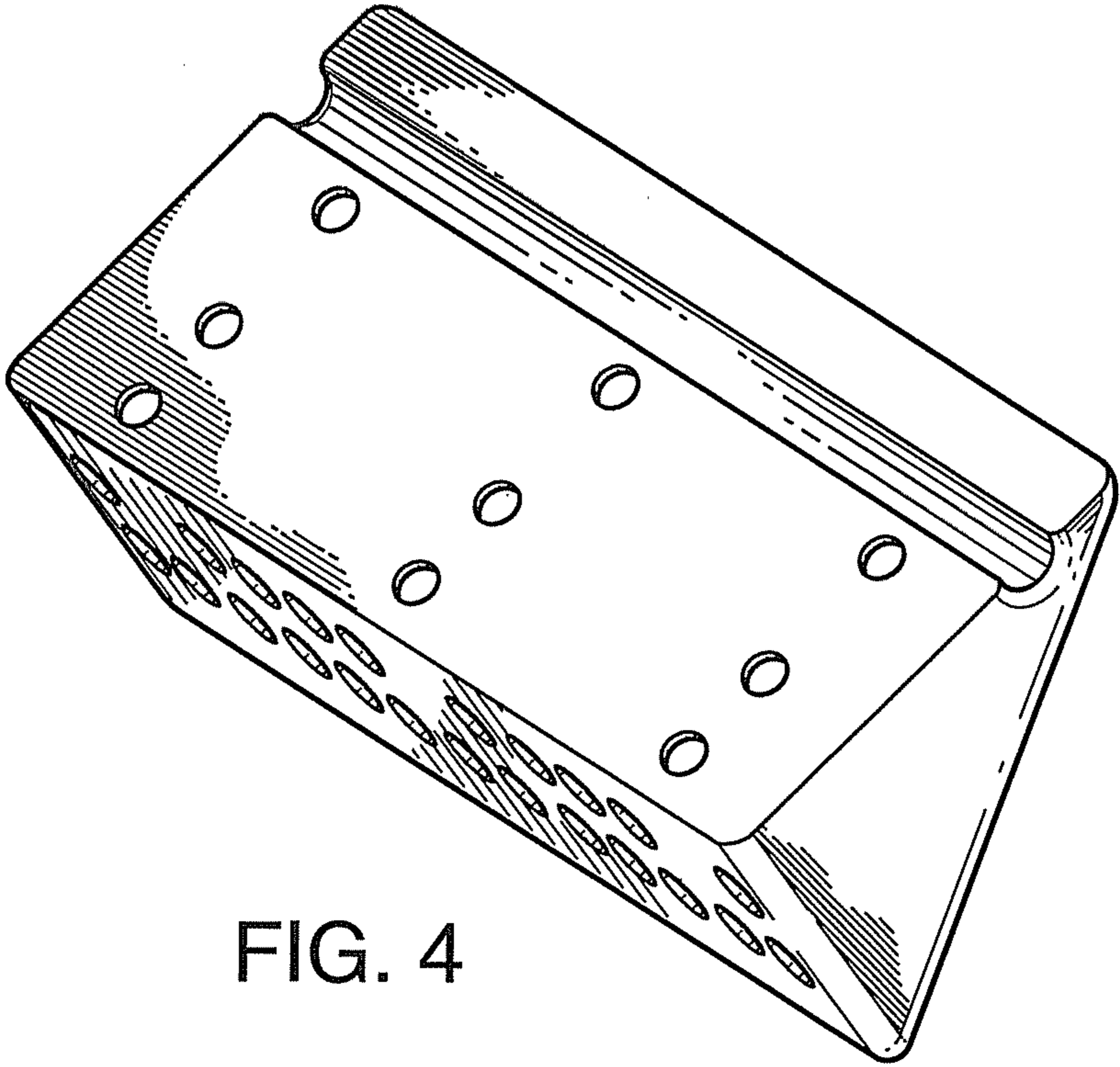


FIG. 4

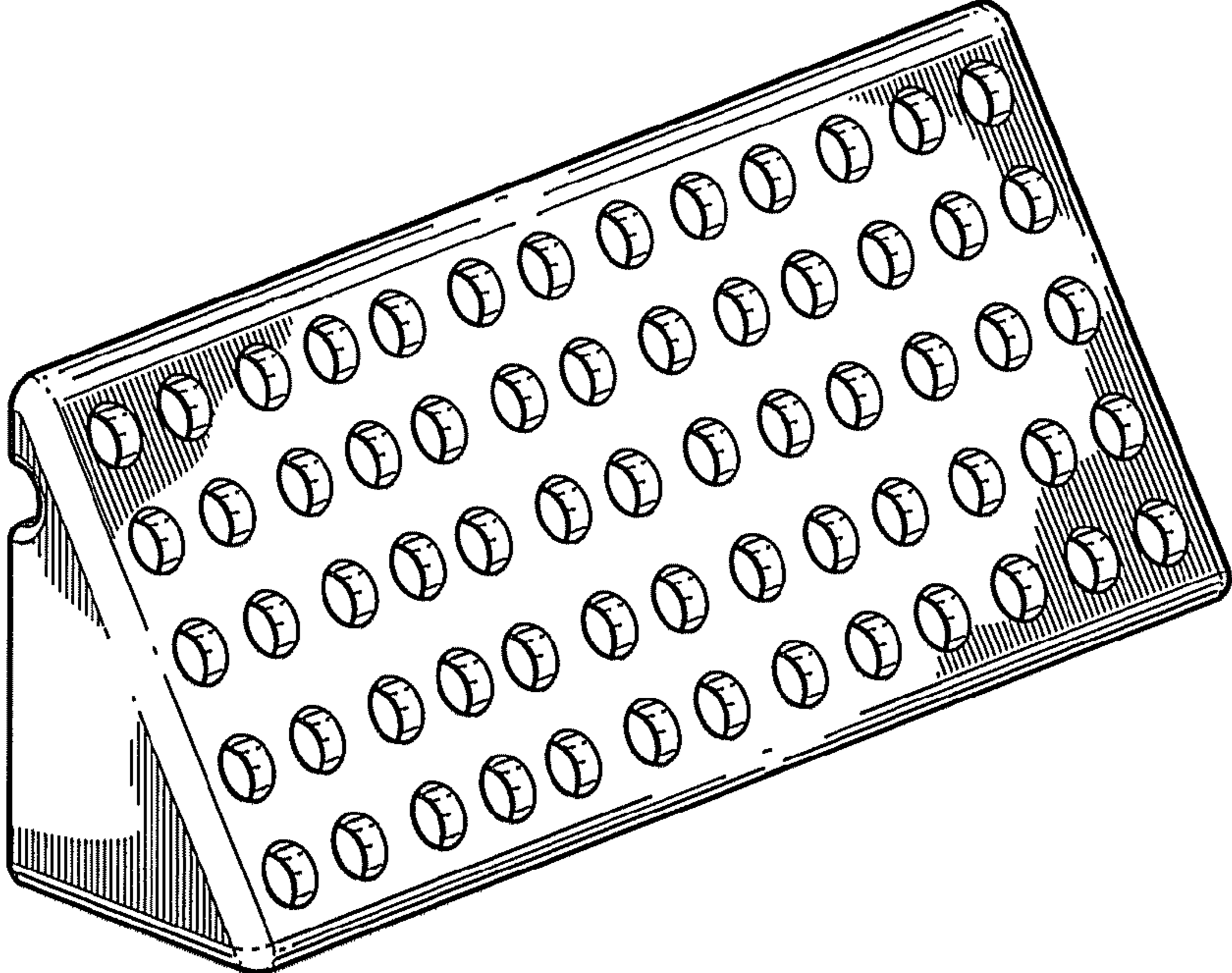


FIG. 5

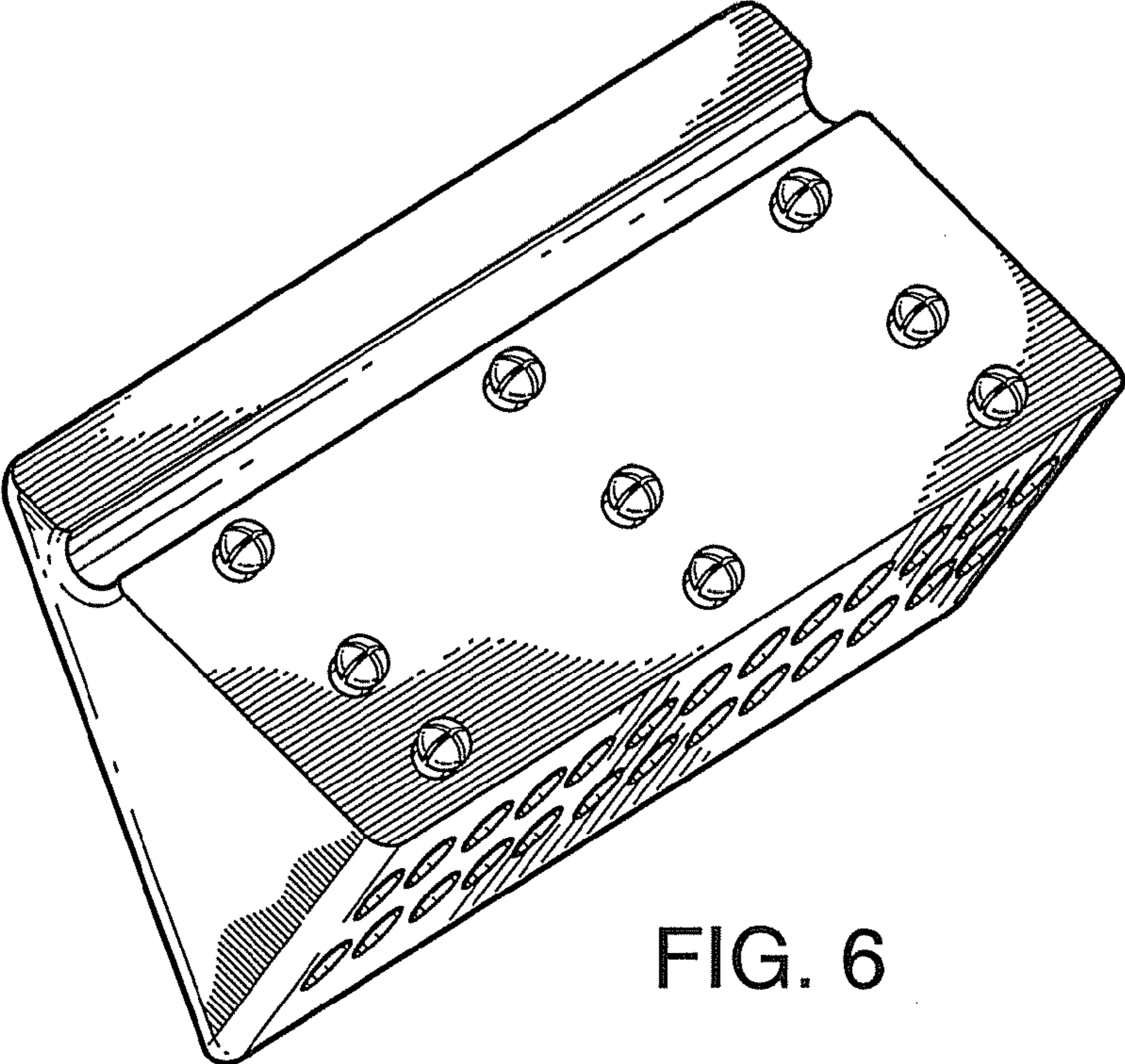


FIG. 6

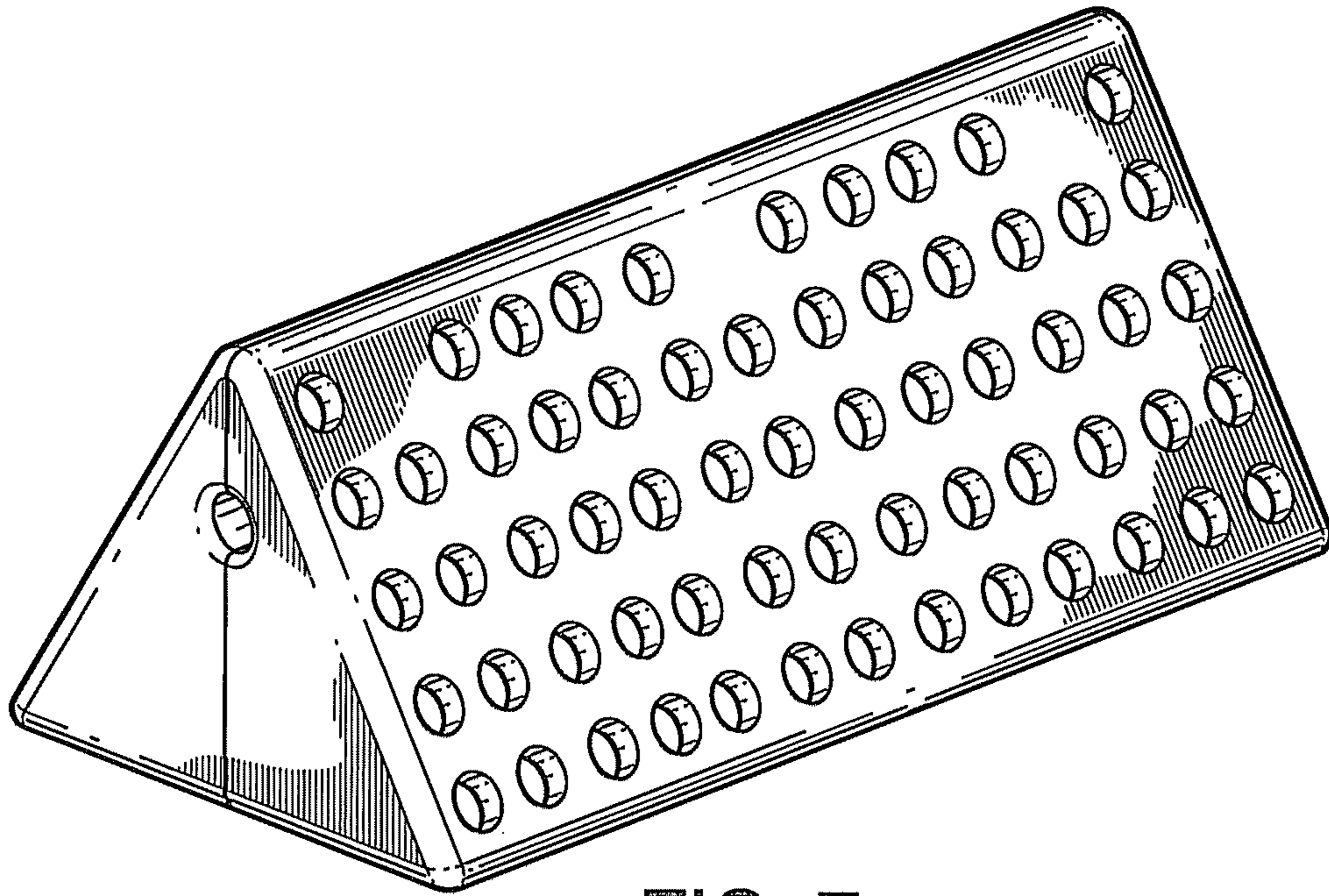


FIG. 7

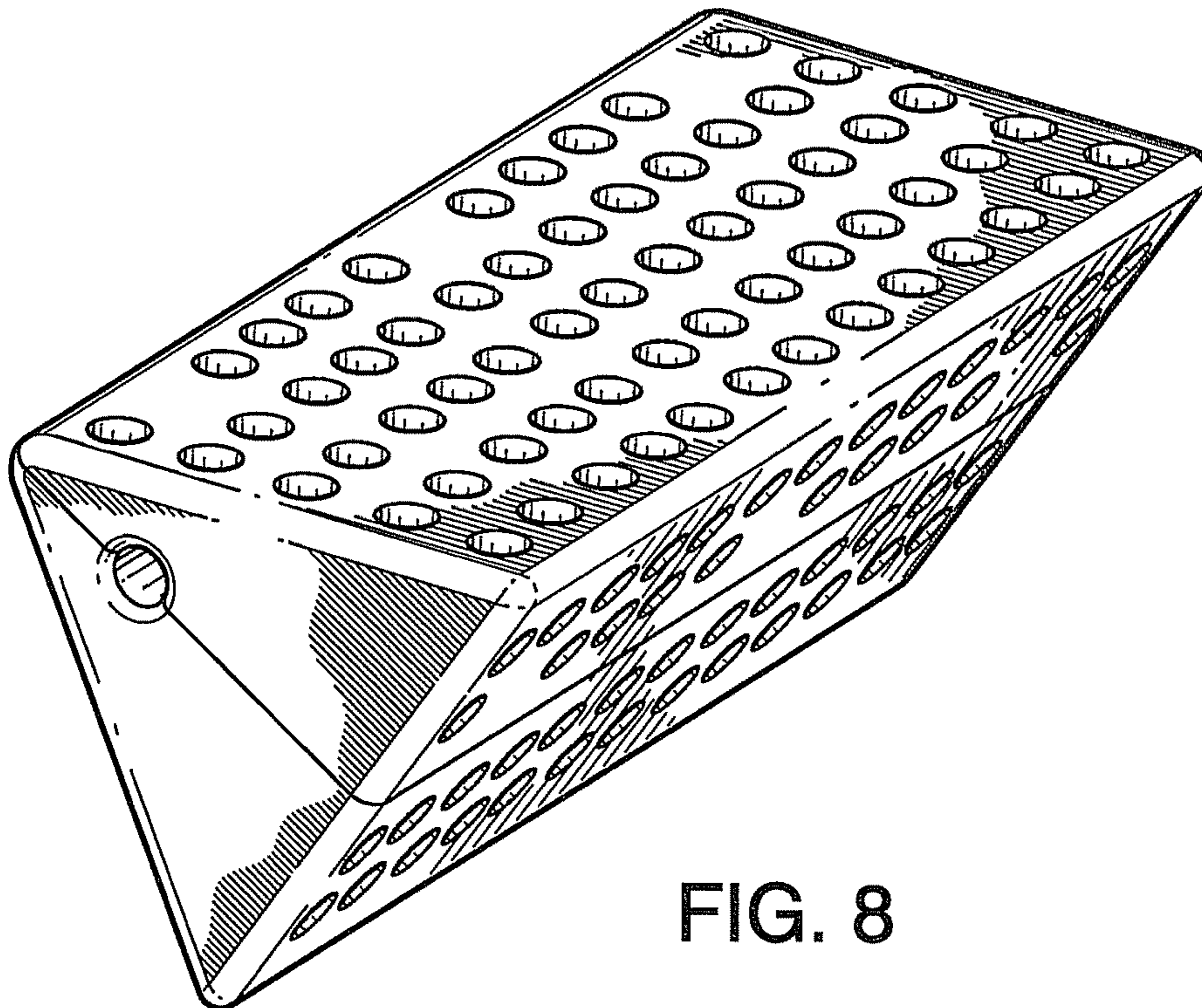


FIG. 8

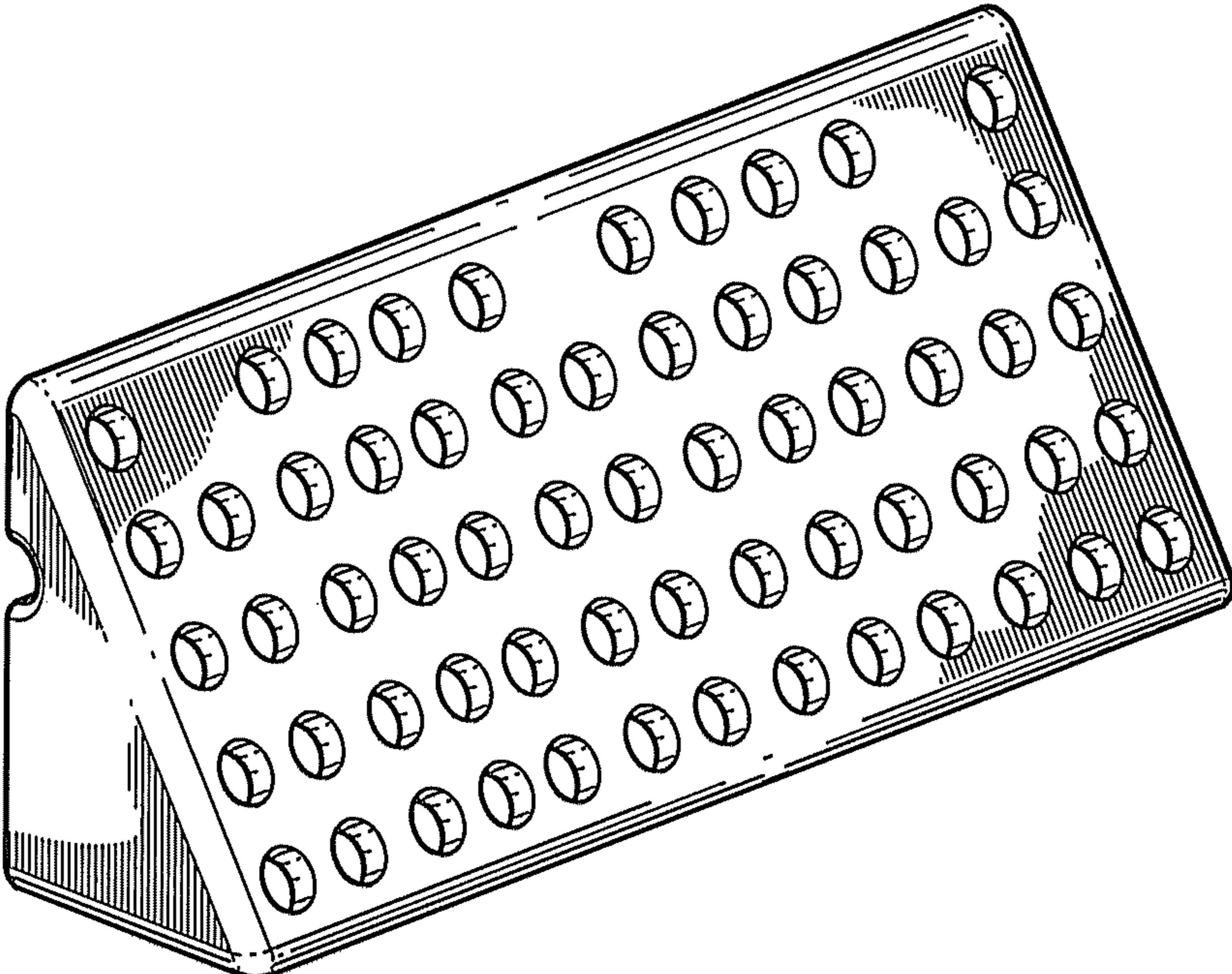


FIG. 9

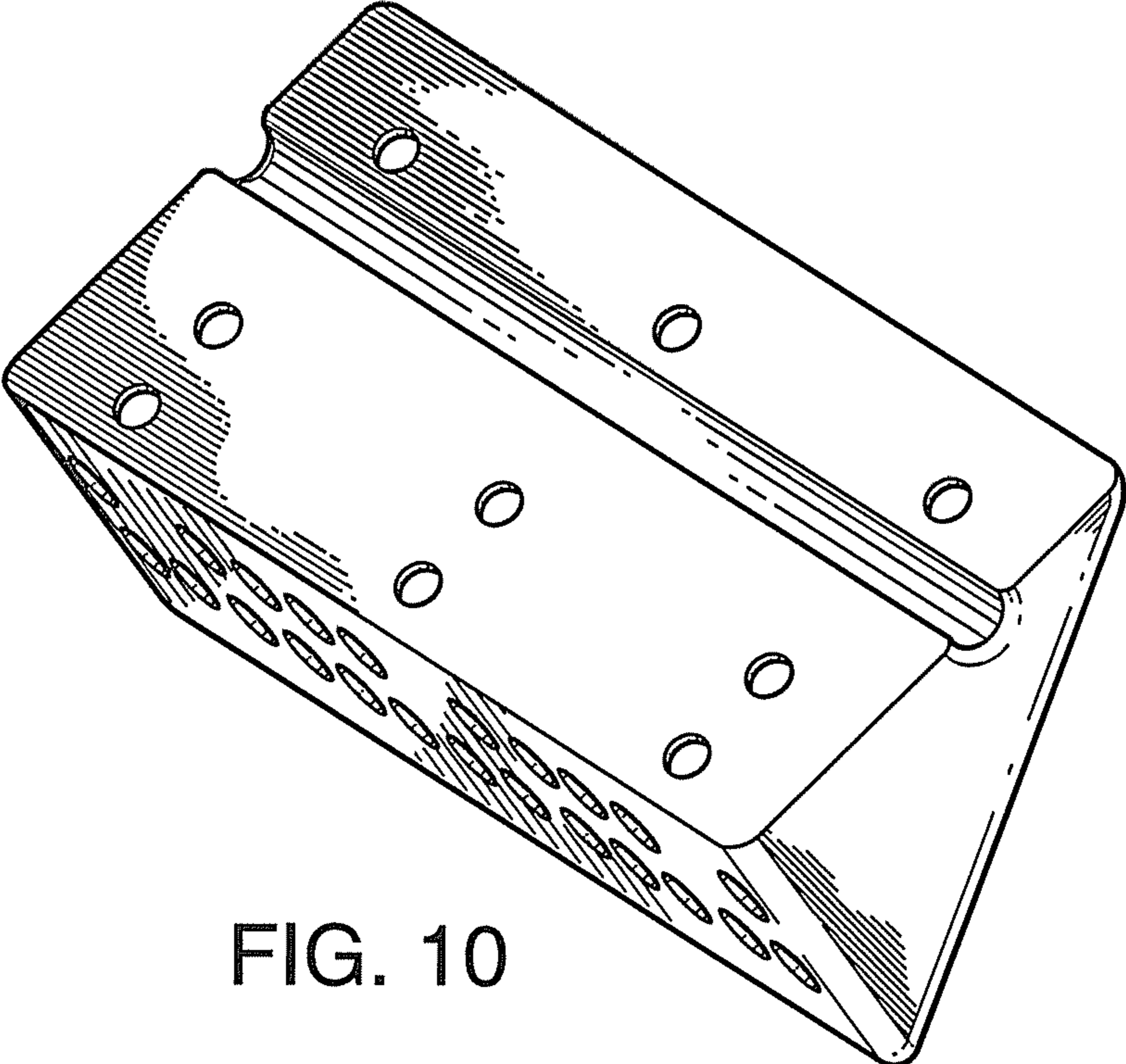


FIG. 10

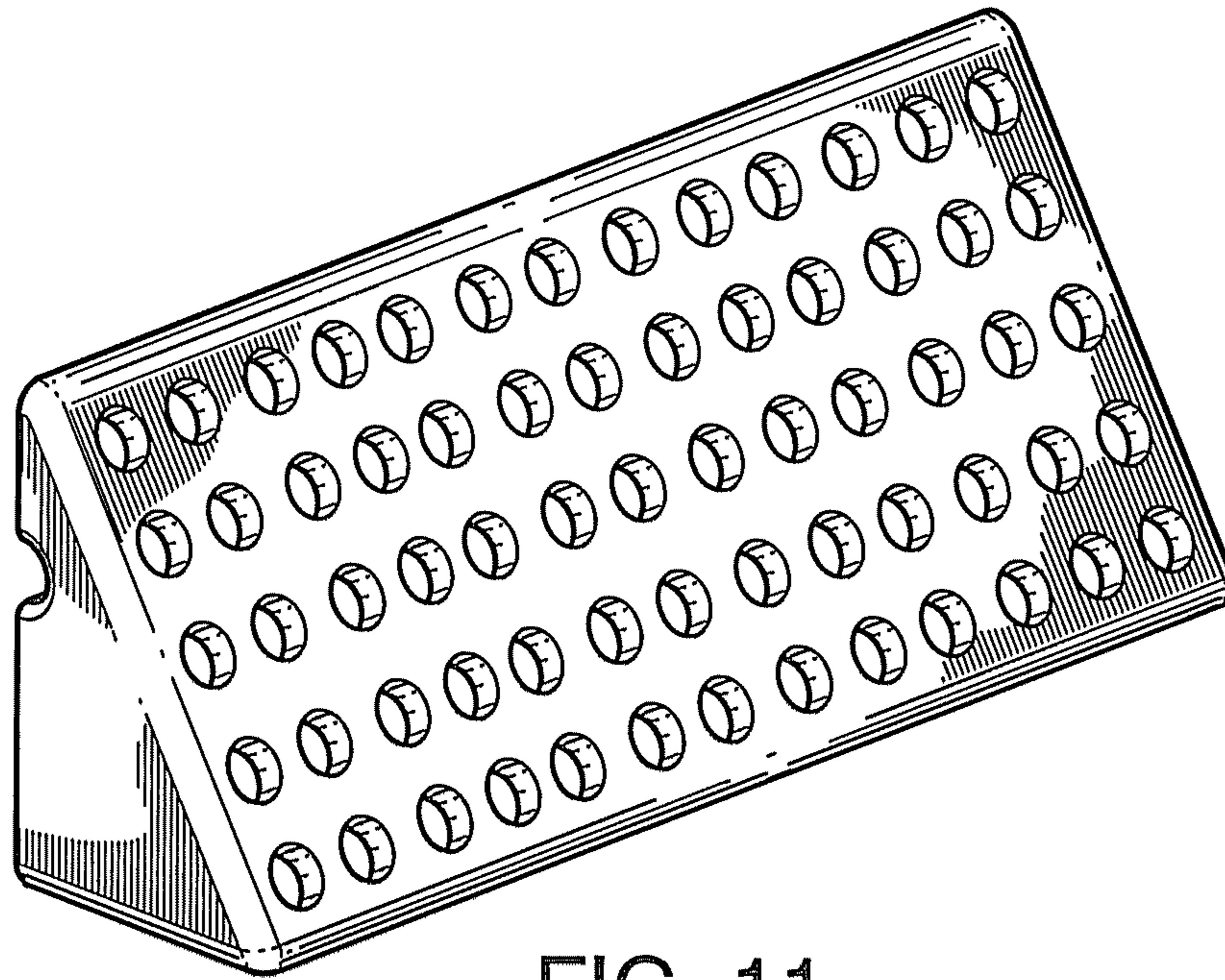


FIG. 11

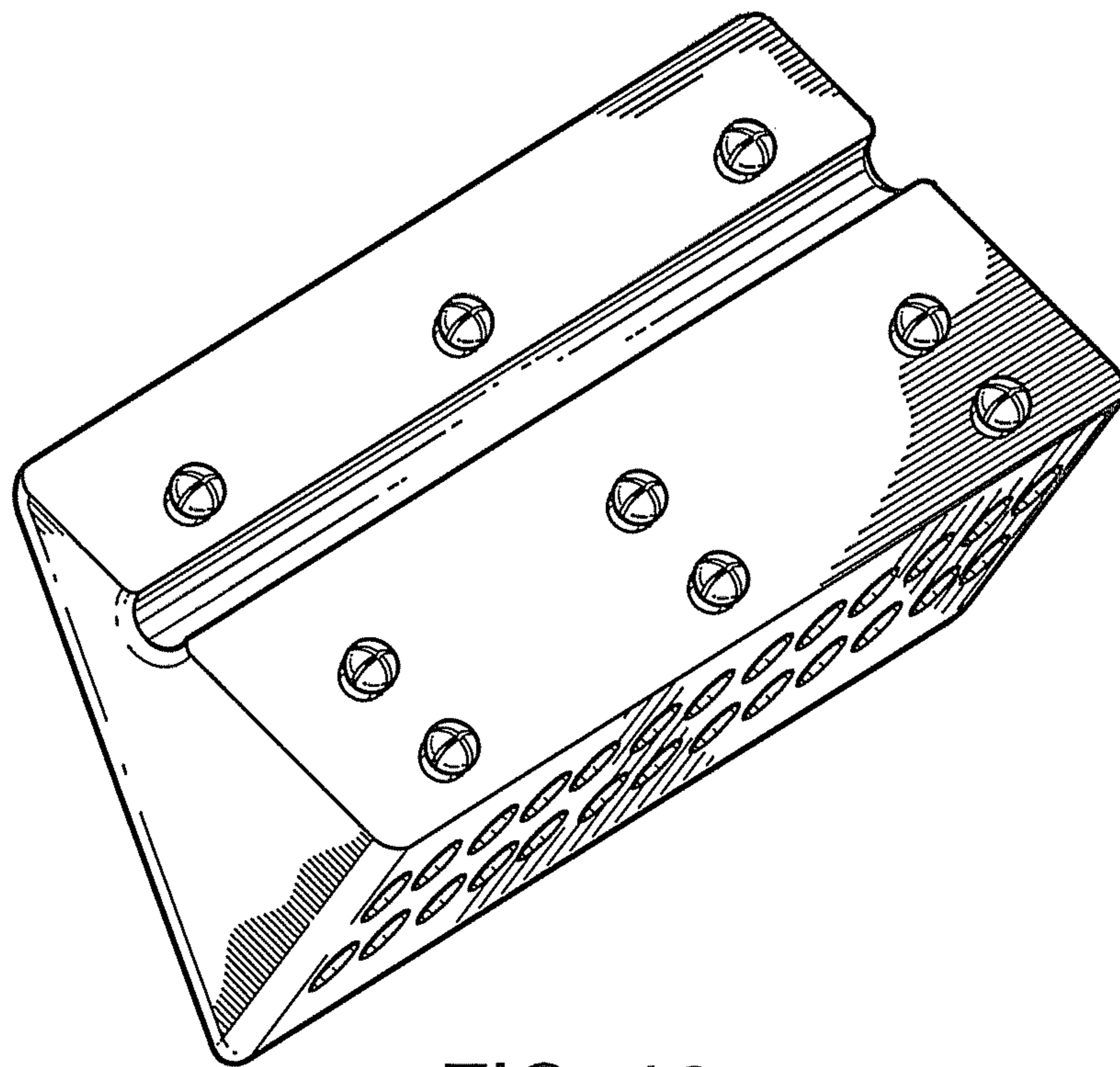


FIG. 12