



US00D717508S

(12) **United States Design Patent**
Kiley

(10) **Patent No.:** **US D717,508 S**

(45) **Date of Patent:** **** Nov. 11, 2014**

(54) **SCRAPER TOOL**

(76) Inventor: **James R. Kiley**, Fremont, NH (US)

(**) Term: **14 Years**

(21) Appl. No.: **29/417,892**

(22) Filed: **Apr. 10, 2012**

(51) **LOC (10) Cl.** **08-05**

(52) **U.S. Cl.**
USPC **D32/46; D32/48; D32/49**

(58) **Field of Classification Search**
USPC **D32/46, 49; D8/14, 45, 46, 47, 105, 98, D8/90; D7/682; 30/169, 167, 278, 280, 30/287; 15/105, 236.01–236.09, 245.1; D4/136; 7/105**
See application file for complete search history.

(56) **References Cited**

U.S. PATENT DOCUMENTS

D31,973	S	*	12/1899	Miller	D8/14
D137,458	S	*	3/1944	Bedell	D8/47
3,050,095	A	*	8/1962	Prather	144/195.5
D243,315	S	*	2/1977	Smith	D8/77
4,041,558	A	*	8/1977	Victor	7/158
D257,575	S	*	12/1980	Ideen	D8/47
4,254,808	A	*	3/1981	Nokes	144/195.5
4,308,903	A	*	1/1982	Alloway	144/195.5
4,382,459	A	*	5/1983	Bartok	30/308.1
4,405,005	A	*	9/1983	Zanker	144/195.5
4,431,040	A	*	2/1984	Friedrich et al.	144/195.5
D277,637	S	*	2/1985	TePastte et al.	D8/47

D492,172	S	*	6/2004	Theurer et al.	D8/47
D511,003	S	*	10/2005	Sliwa, Jr.	D24/147
D512,614	S	*	12/2005	Theurer et al.	D8/47
D521,839	S	*	5/2006	Hung	D8/78
D689,755	S	*	9/2013	Quinn et al.	D8/70

* cited by examiner

Primary Examiner — John Windmuller

(57) **CLAIM**

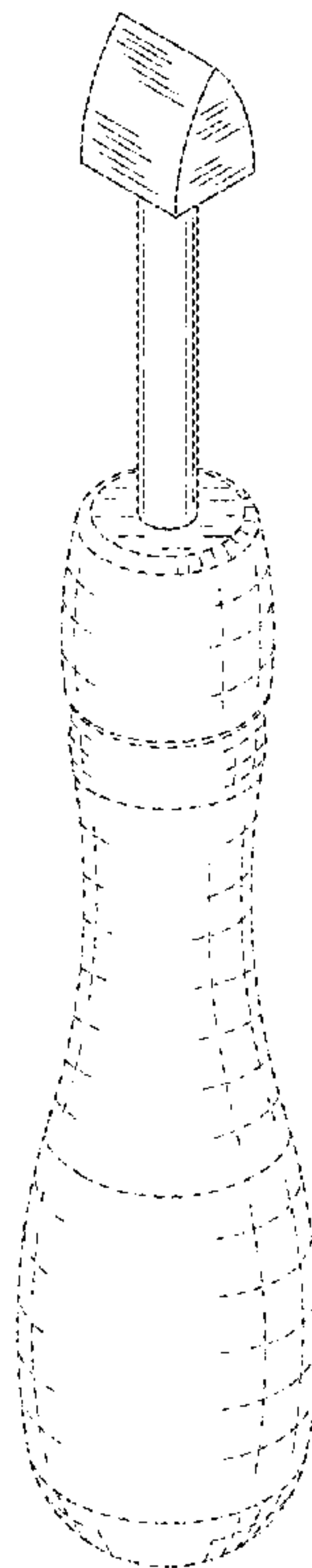
The ornamental design for a scraper tool, as shown and described.

DESCRIPTION

FIG. 1 is a perspective view of a scraper tool;
FIG. 2 is a front elevational view thereof, in which a detailed view is taken and shown in FIG. 3;
FIG. 3 is a detailed front elevational view thereof, in which a sectional view is taken and shown in FIG. 4;
FIG. 4 is a sectional view taken at 4-4 in FIG. 3 thereof;
FIG. 5 is a right side elevational view thereof, the left-side elevational view being a mirror image;
FIG. 6 is a top plan view thereof;
FIG. 7 is a bottom plan view thereof; and,
FIG. 8 is an exploded view thereof, showing the head removed from the handle.

The broken line showing of a scraper tool handle is for the purpose of illustrating environmental structure and forms no part of the claimed design. The other broken lines in the figures depict threads that form no part of the claimed design.

1 Claim, 5 Drawing Sheets



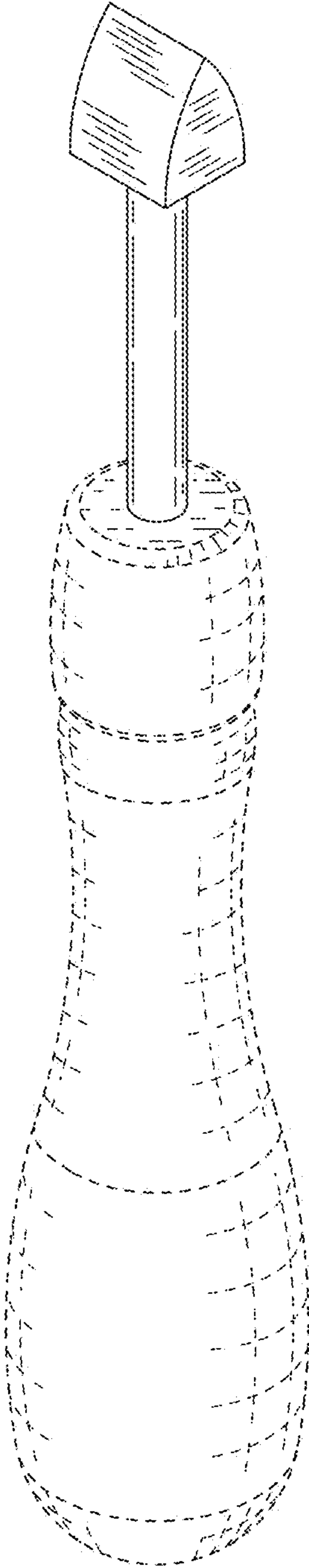


FIG. 1

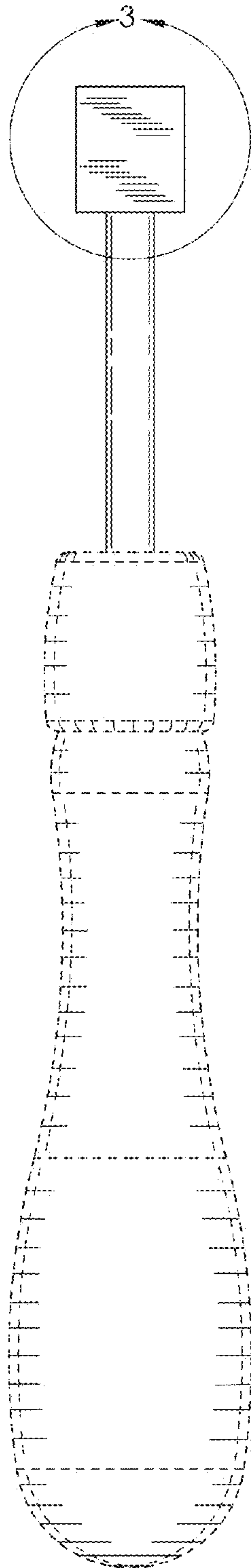


FIG. 2

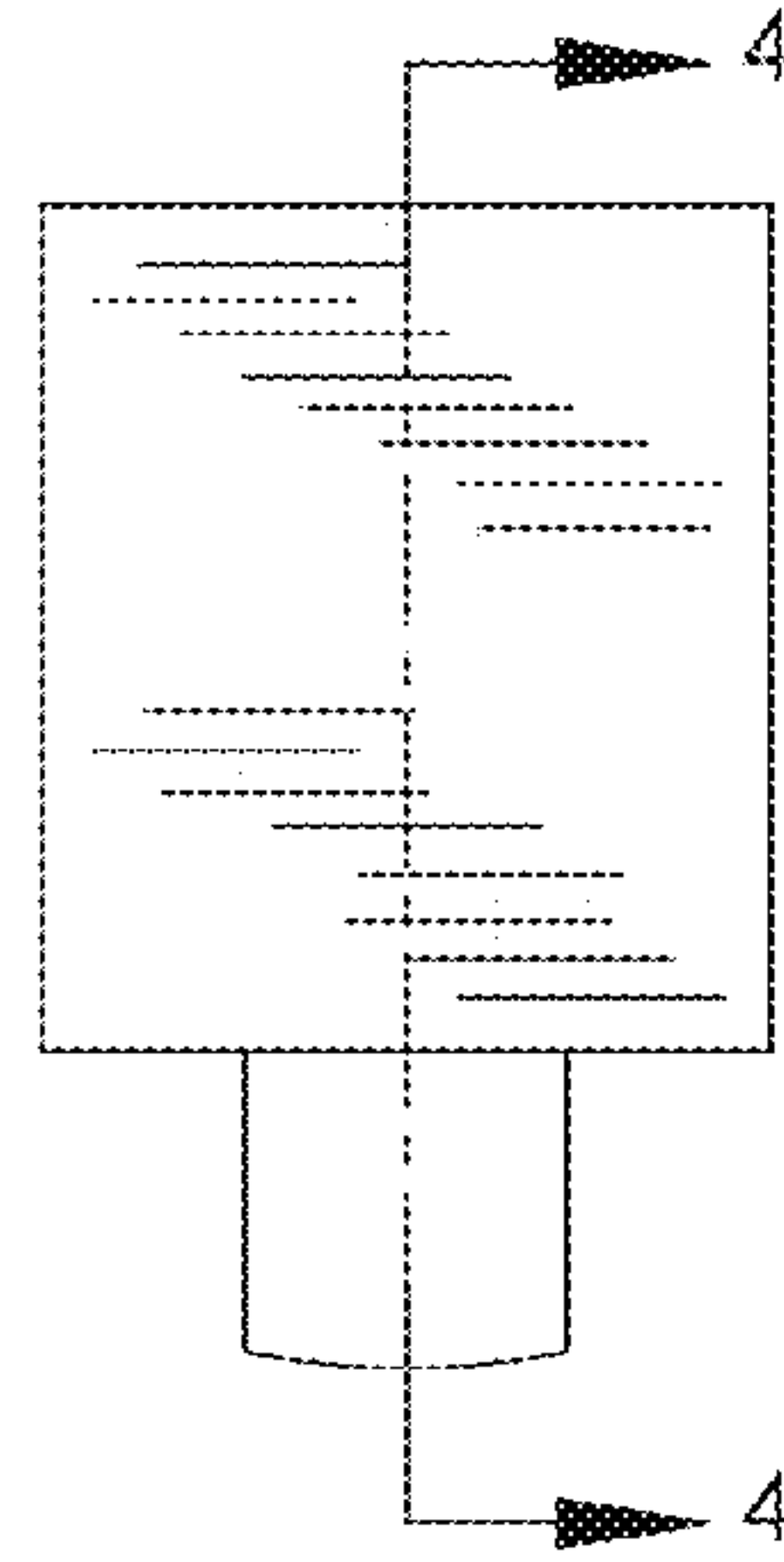


FIG. 3

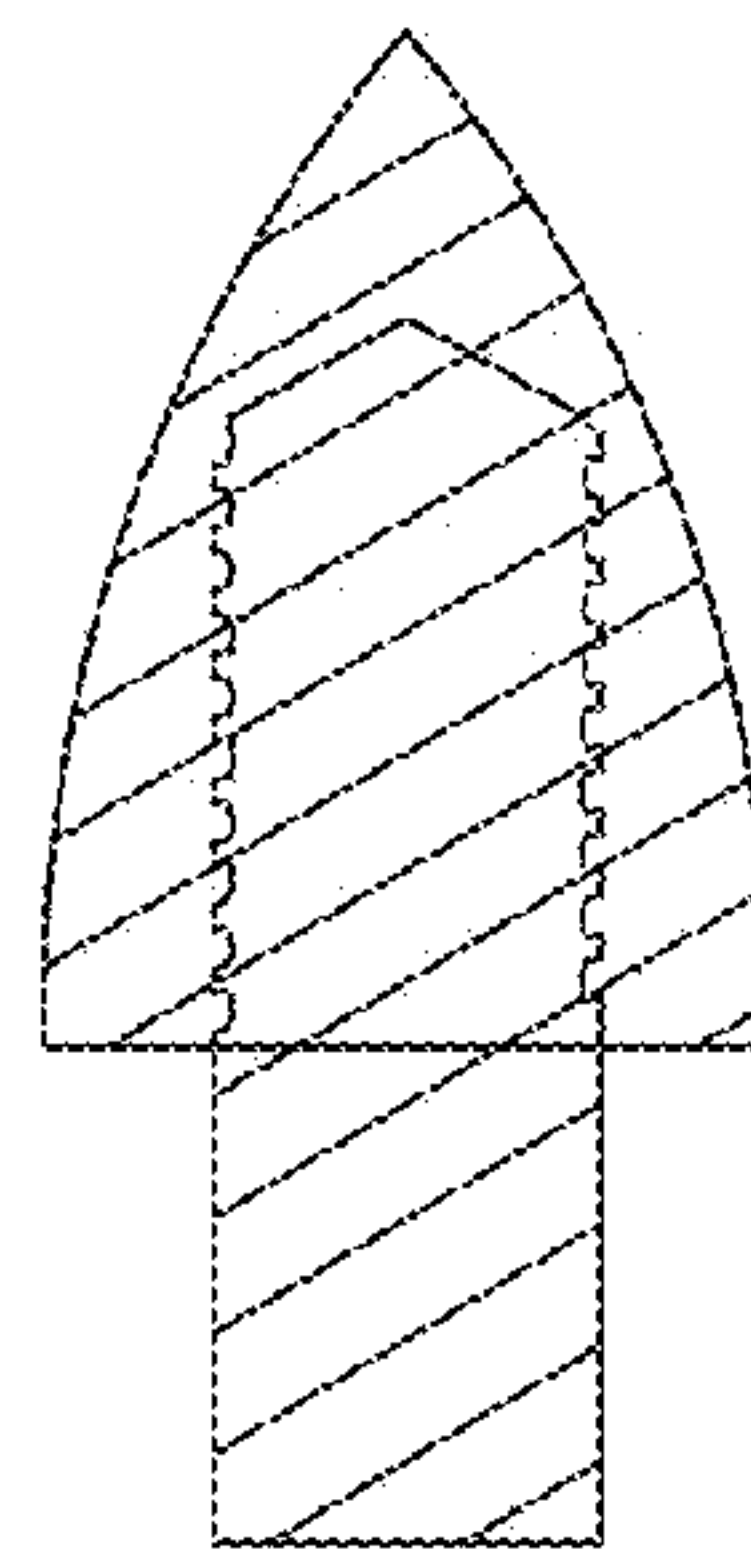


FIG. 4

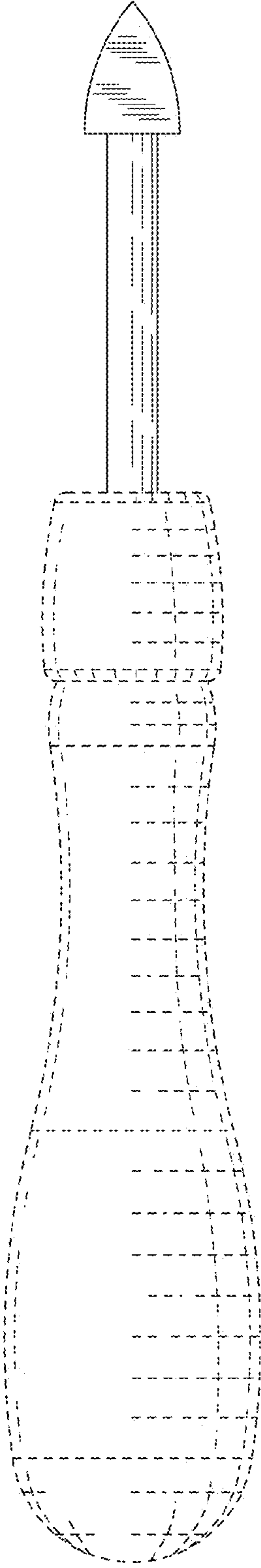


FIG. 5

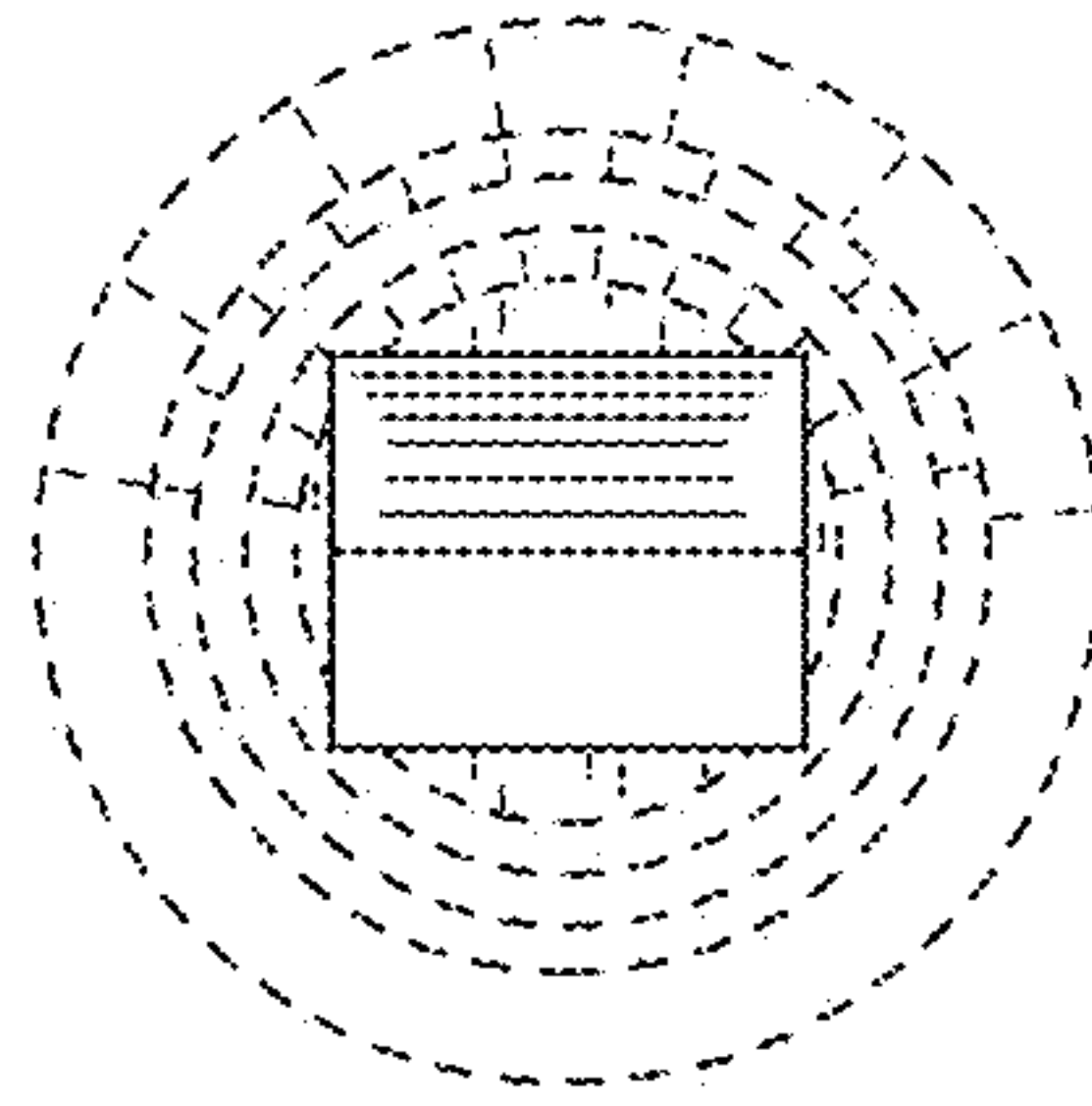


FIG. 6

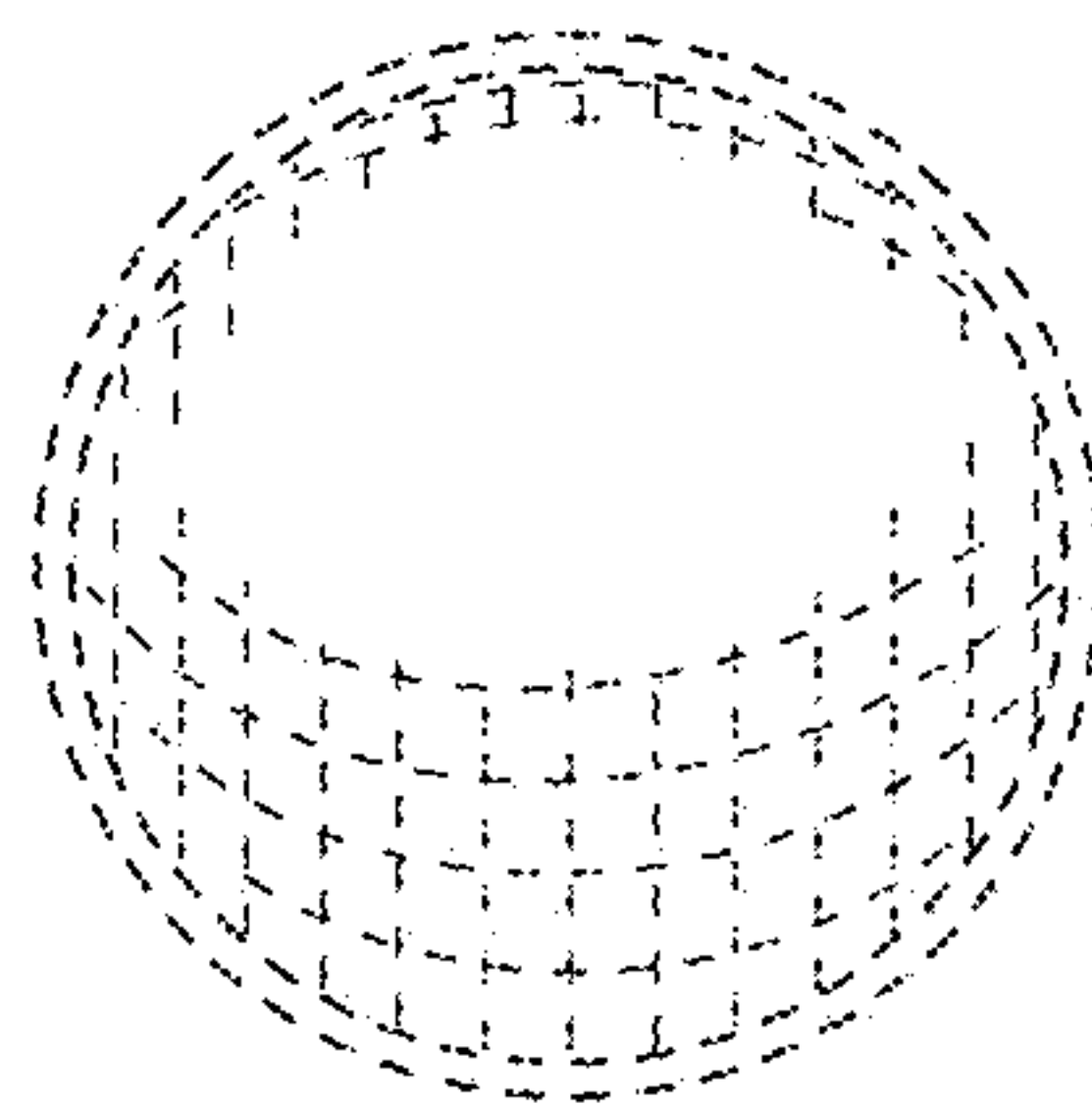


FIG. 7

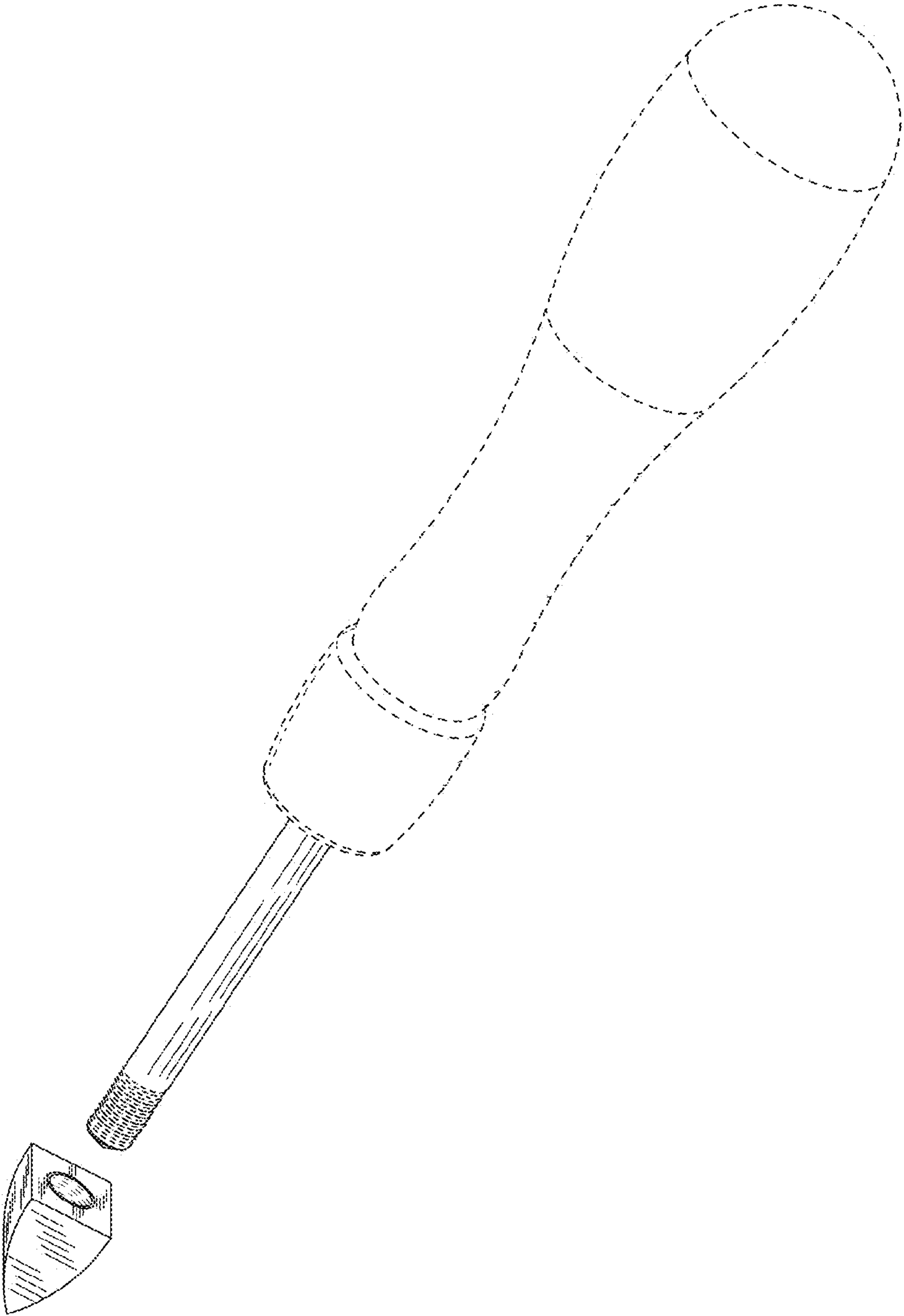


FIG. 8