



US00D717507S

(12) **United States Design Patent**
Fry et al.

(10) **Patent No.:** **US D717,507 S**
(45) **Date of Patent:** **** Nov. 11, 2014**

(54) **VACUUM CLEANER**

(71) Applicant: **Shop Vac Corporation**, Williamsport, PA (US)

(72) Inventors: **Kevin D. Fry**, South Williamsport, PA (US); **John Griffin**, Phoenix, AZ (US); **Robert L. Crevling, Jr.**, Williamsport, PA (US)

(73) Assignee: **Shop Vac Corporation**, Williamsport, PA (US)

(**) Term: **14 Years**

(21) Appl. No.: **29/469,525**

(22) Filed: **Oct. 11, 2013**

(51) **LOC (10) Cl.** **15-05**

(52) **U.S. Cl.**

USPC **D32/31**

(58) **Field of Classification Search**

CPC . A47L 7/004; A47L 11/4036; A47L 11/4041;
A47L 7/0023; A47L 7/009; A47L 11/30;
A47L 11/34

USPC D32/21, 23-24, 31; 15/320-321, 340.2,
15/353, 412, 339, 327.1, 327.6, 327.7

See application file for complete search history.

(56) **References Cited**

U.S. PATENT DOCUMENTS

D507,386 S *	7/2005	Griffin et al.	D32/21
D527,504 S *	8/2006	Griffin et al.	D32/21
D568,562 S *	5/2008	Griffin et al.	D32/23
D568,564 S *	5/2008	Griffin et al.	D32/31
D587,414 S *	2/2009	Griffin et al.	D32/31
D588,316 S *	3/2009	Griffin et al.	D32/31
D599,968 S *	9/2009	Crevling et al.	D32/23
D615,718 S *	5/2010	Crevling et al.	D32/23
D623,812 S *	9/2010	Seasholtz et al.	D32/31

D623,813 S *	9/2010	Seasholtz et al.	D32/31
D631,216 S *	1/2011	Crevling et al.	D32/31
D634,084 S *	3/2011	Griffin et al.	D32/31
D644,800 S *	9/2011	Seasholtz et al.	D32/31
D644,801 S *	9/2011	Crevling et al.	D32/31
D672,929 S *	12/2012	Gottschall et al.	D32/31
D675,389 S *	1/2013	Seasholtz et al.	D32/31
D683,090 S *	5/2013	Griffin et al.	D32/23
D683,091 S *	5/2013	Griffin et al.	D32/23
D691,339 S *	10/2013	Griffin et al.	D32/31
2013/0009371 A1 *	1/2013	Martinez	280/79.2

* cited by examiner

Primary Examiner — Ruth McInroy

(74) *Attorney, Agent, or Firm* — Marshall, Gerstein & Borun LLP

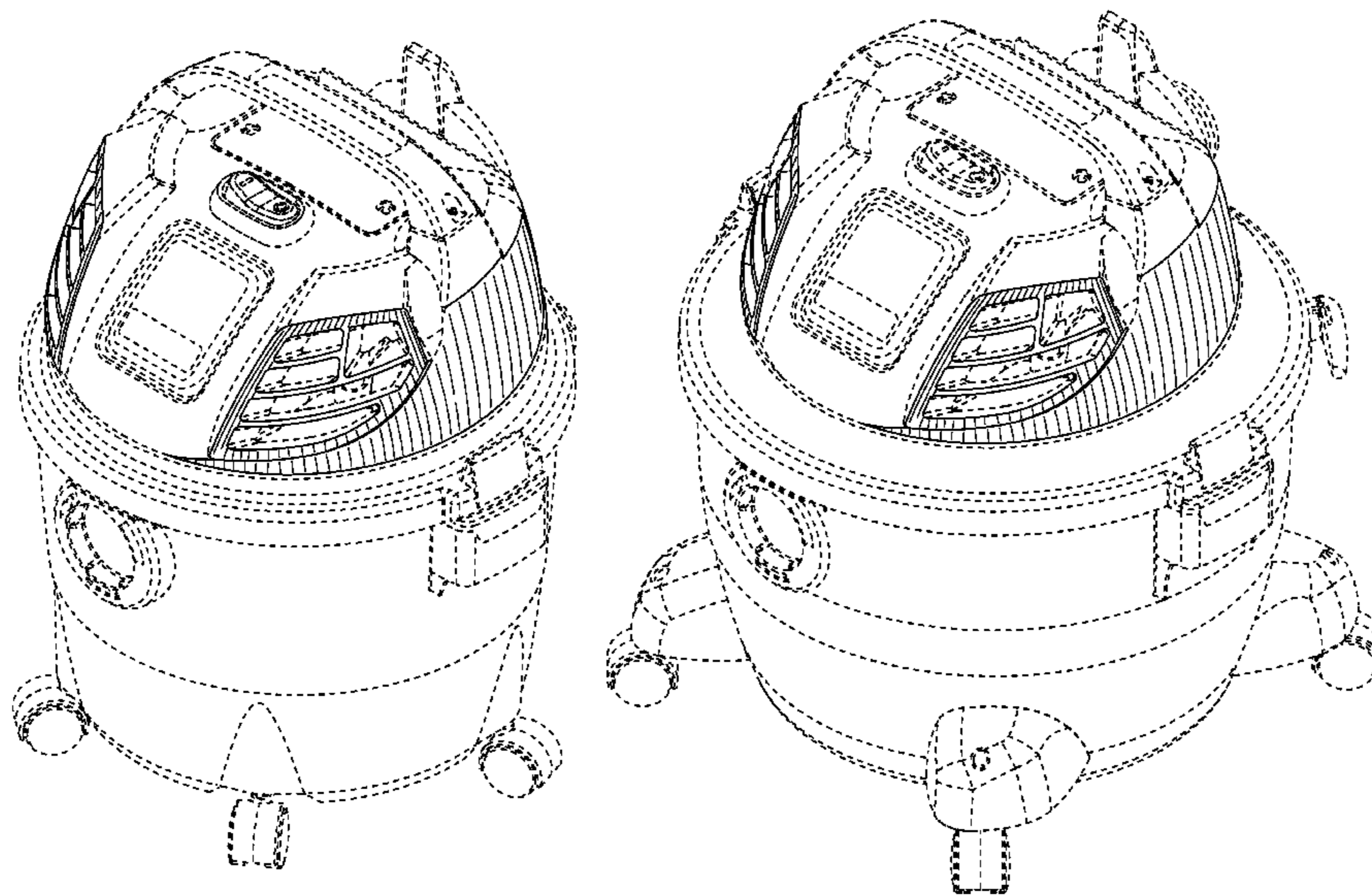
(57) **CLAIM**

We claim the ornamental design for a vacuum cleaner, as shown and described.

DESCRIPTION

FIG. 1 is a top, front and right side isometric view of a vacuum cleaner showing our new design;
 FIG. 2 is a front elevation view thereof;
 FIG. 3 is a right side elevation view thereof;
 FIG. 4 is a rear elevation view thereof;
 FIG. 5 is a left side elevation view thereof;
 FIG. 6 is a top plan view thereof;
 FIG. 7 is a top, front and right side isometric view of a second embodiment thereof;
 FIG. 8 is a front elevation view of FIG. 7;
 FIG. 9 is a right side elevation view of FIG. 7;
 FIG. 10 is a rear elevation view of FIG. 7;
 FIG. 11 is a left side elevation view of FIG. 7; and,
 FIG. 12 is a top plan view of FIG. 7.
 The broken lines show elements of the vacuum cleaner that form no part of the claimed design.

1 Claim, 12 Drawing Sheets



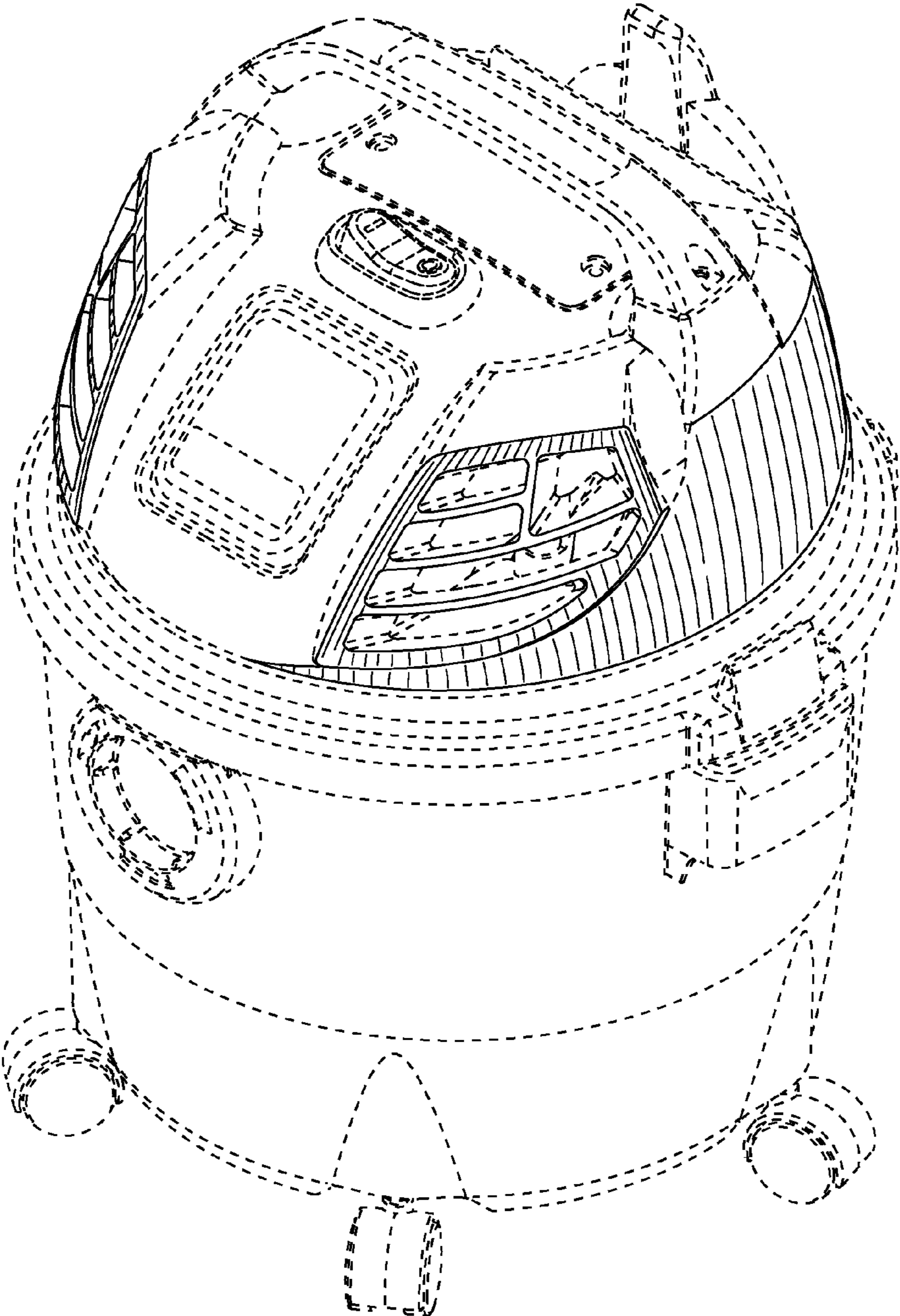


FIG. 1

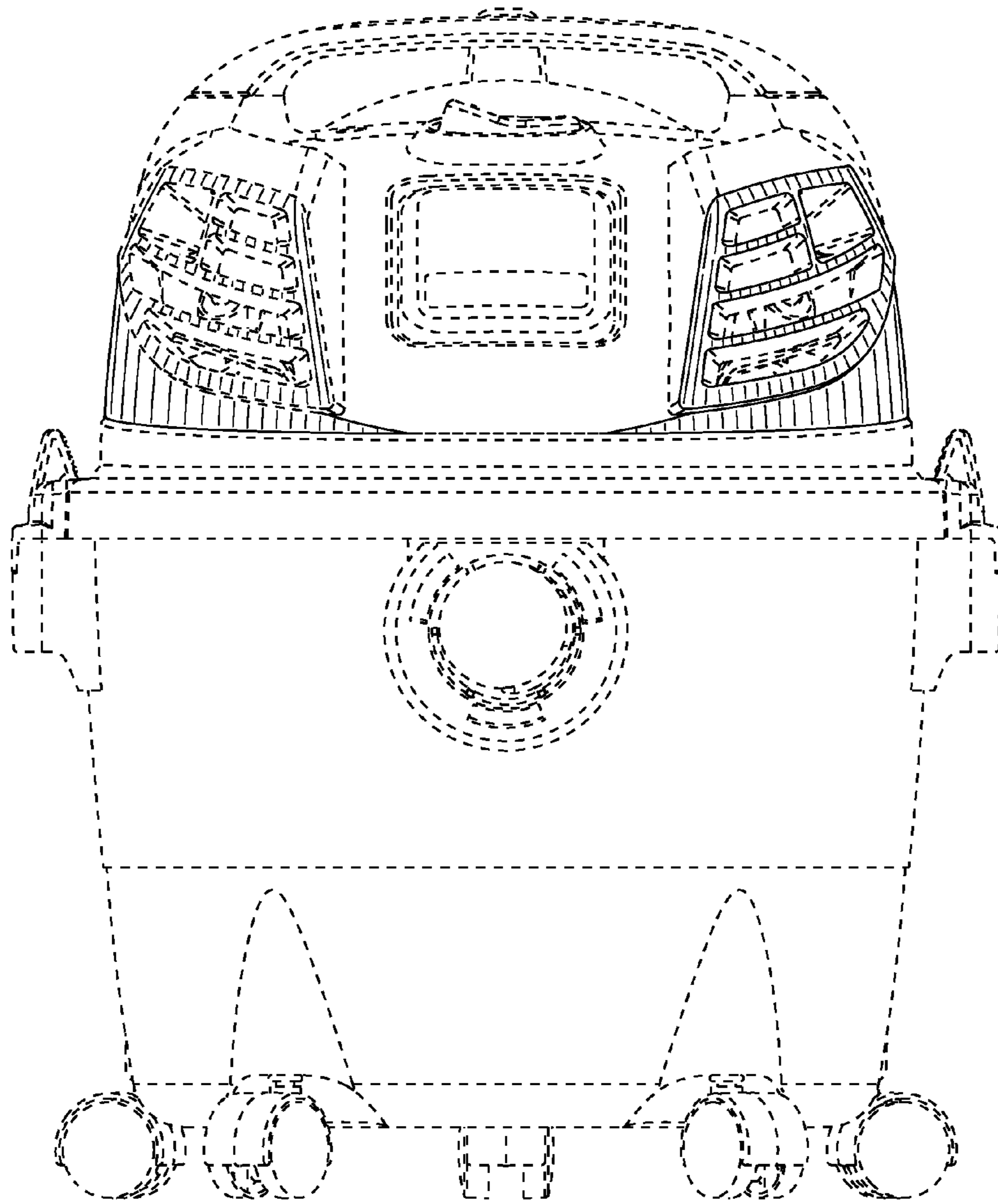


FIG. 2

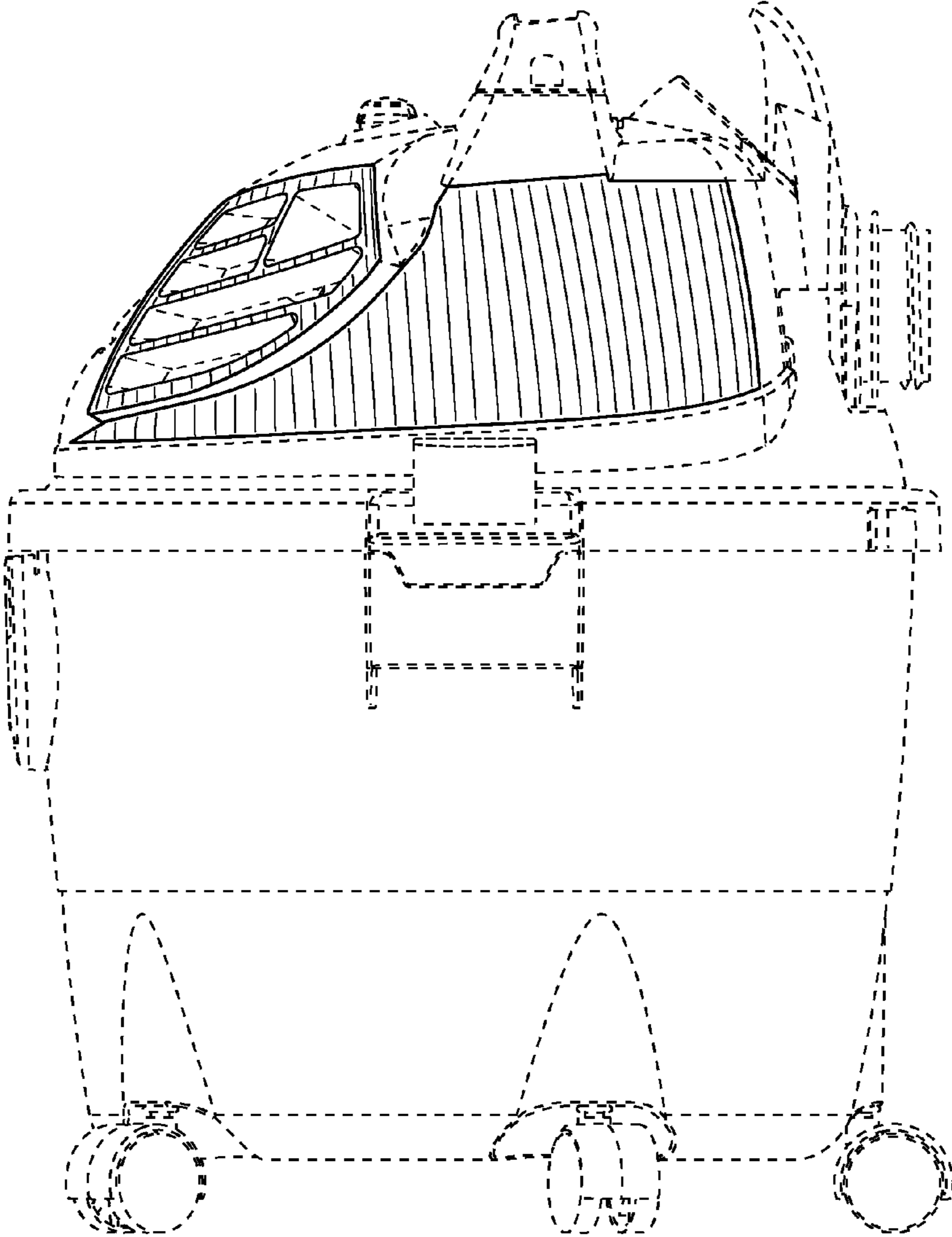


FIG. 3

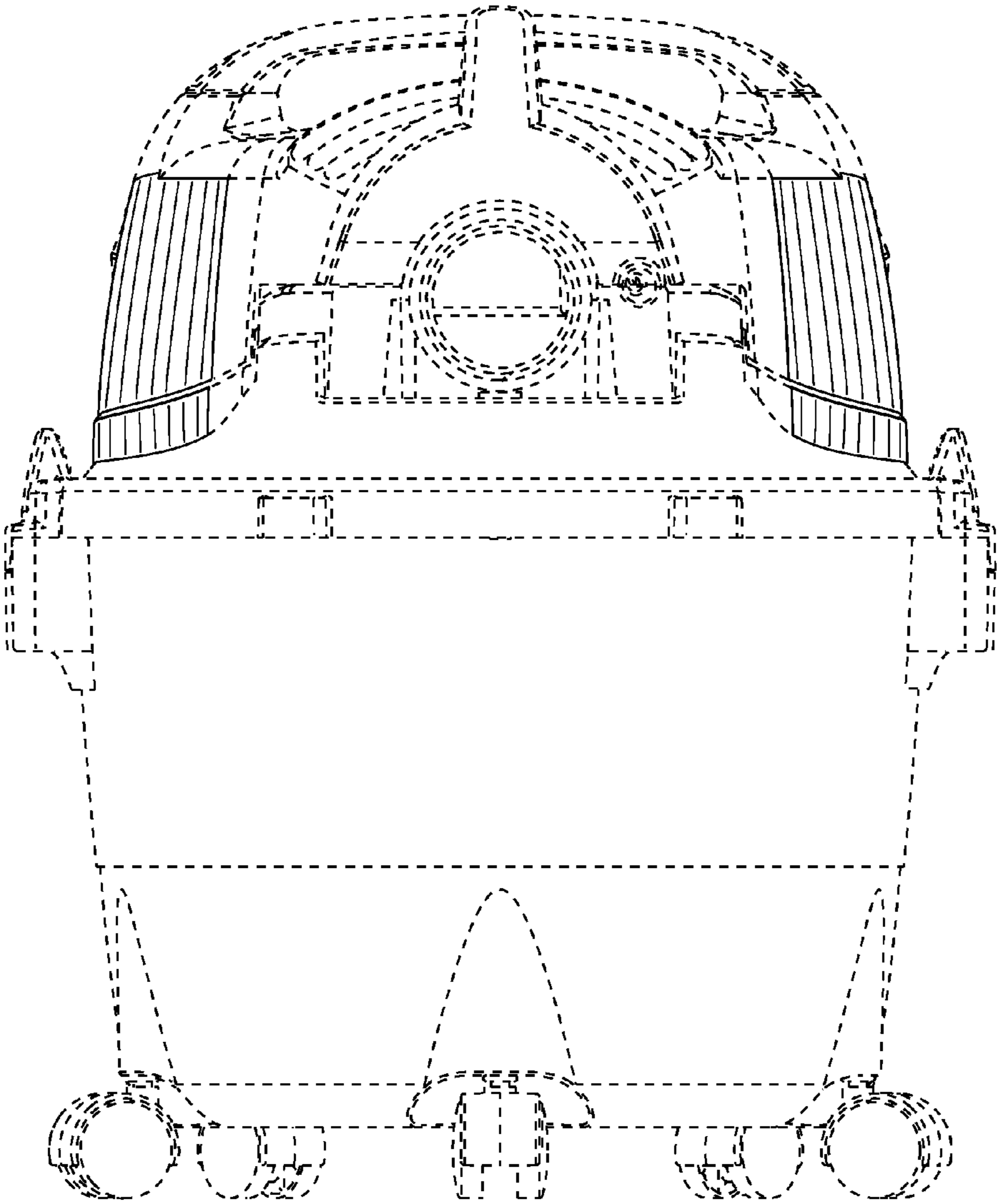


FIG. 4

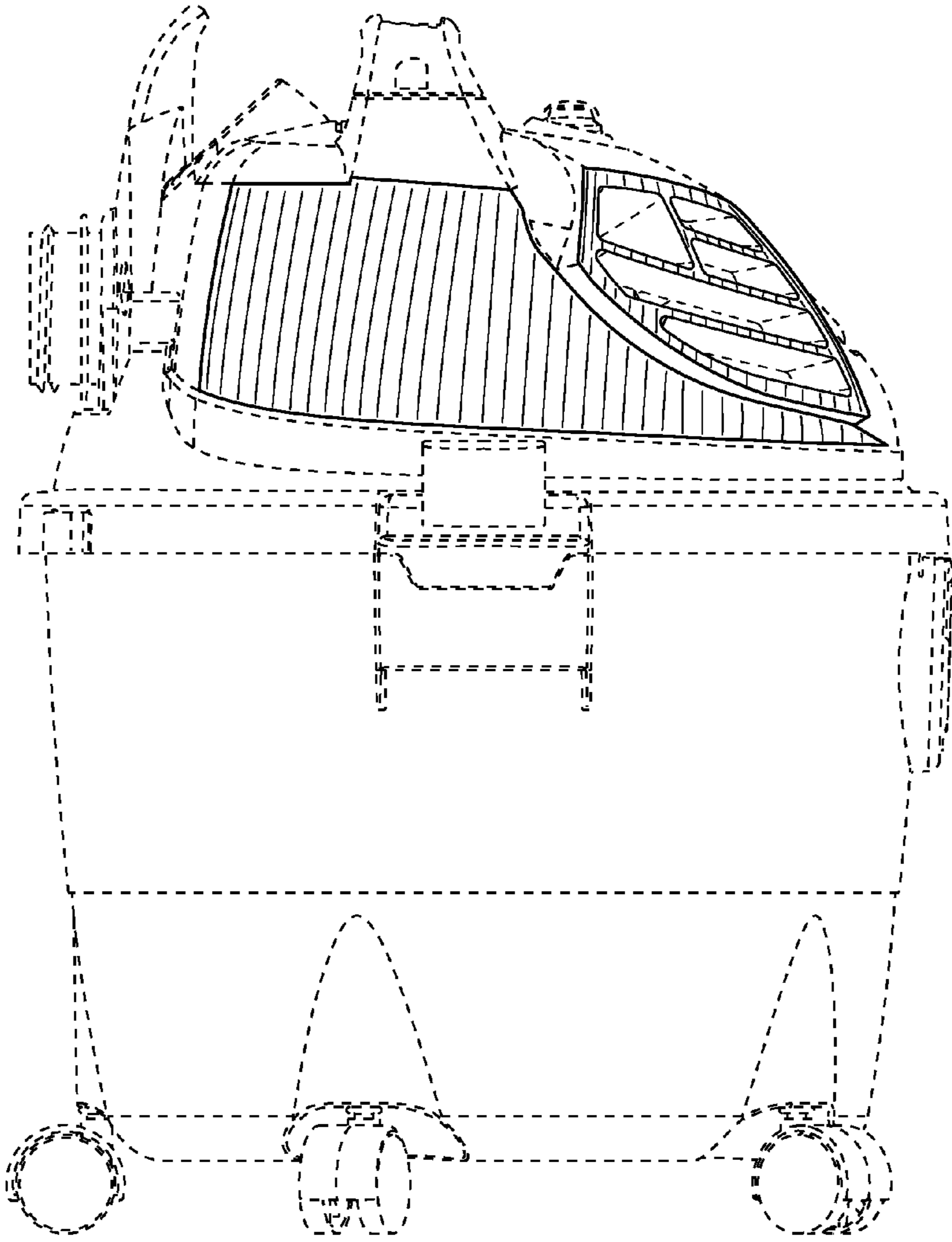


FIG. 5

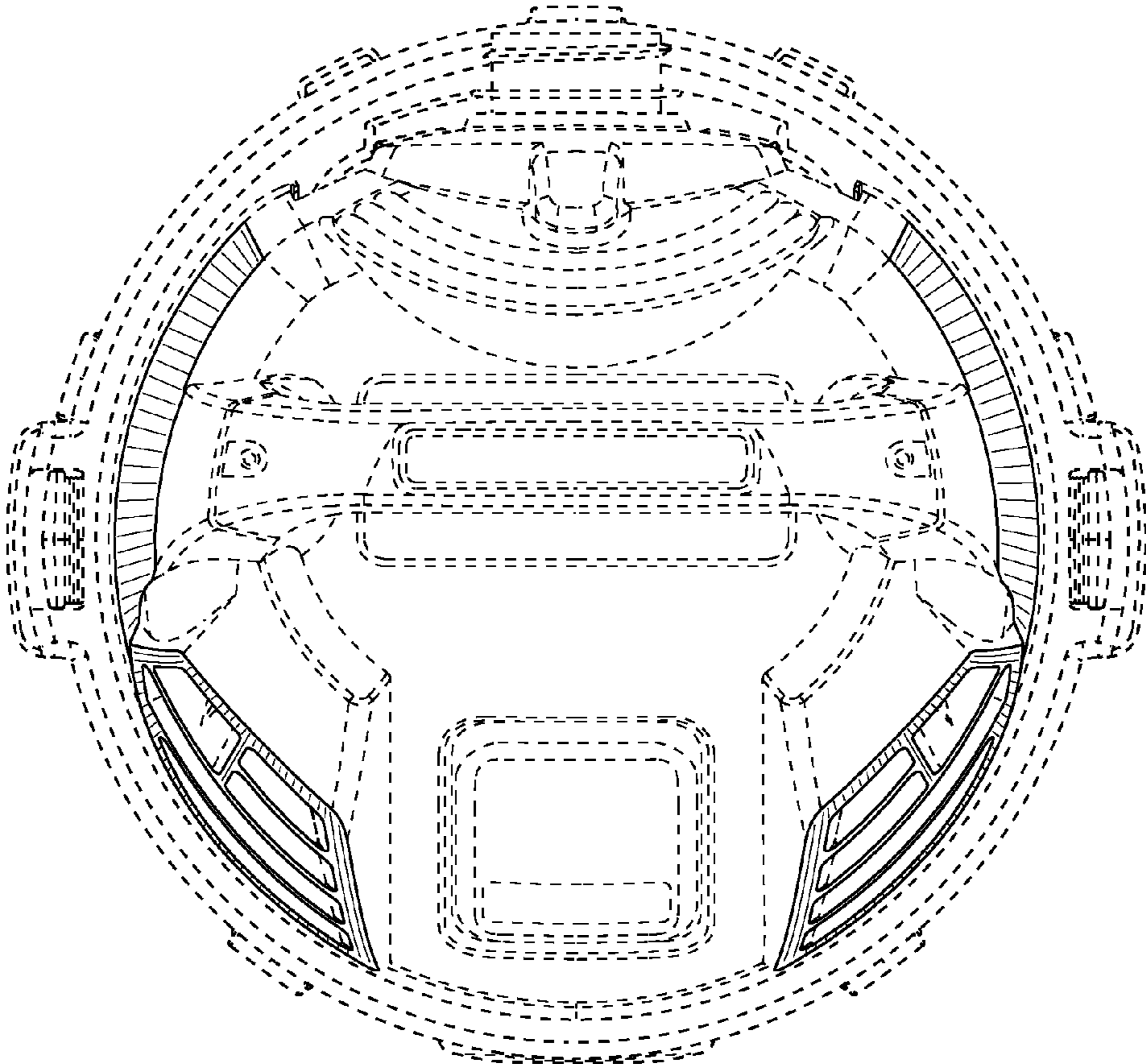


FIG. 6

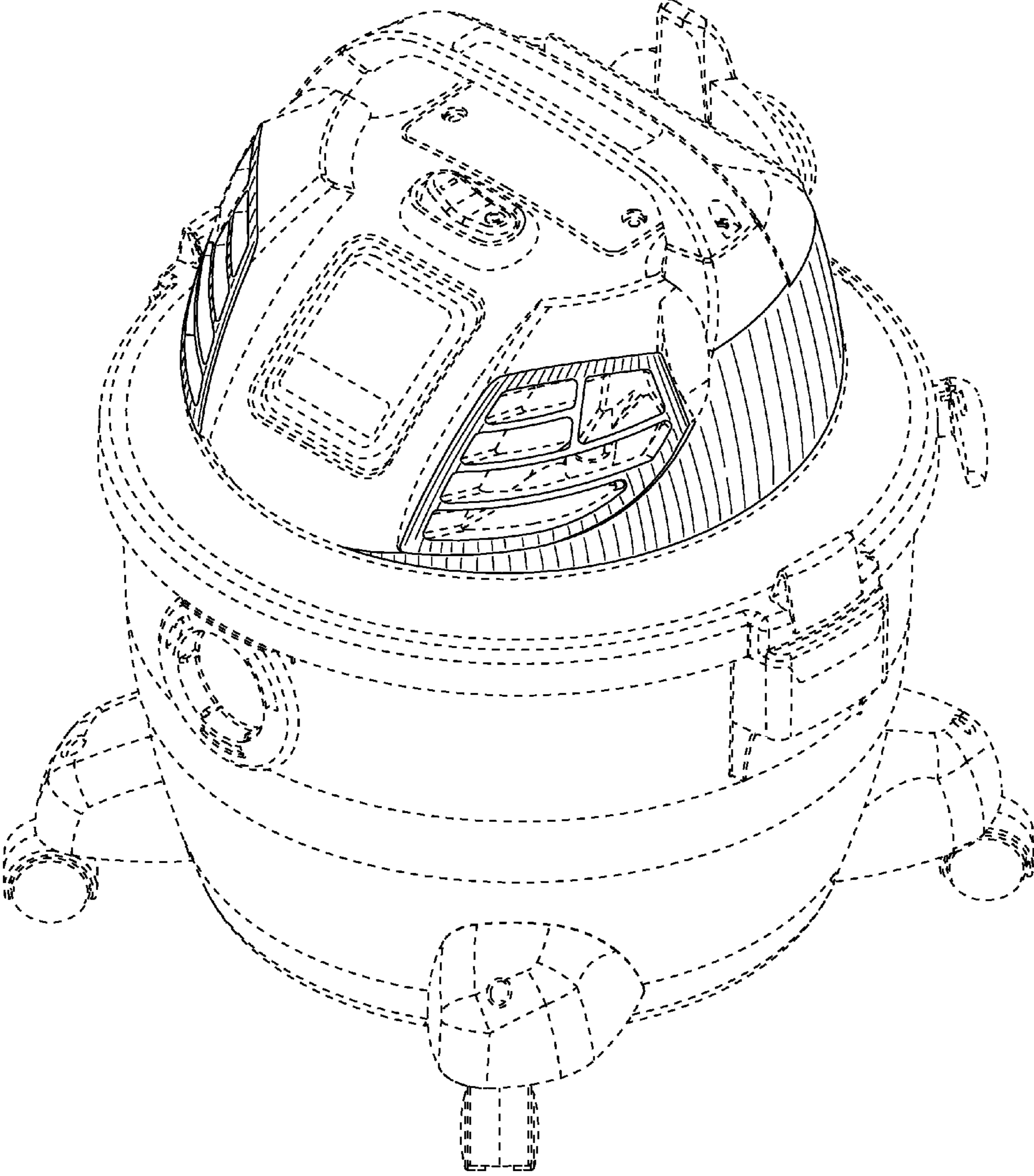


FIG. 7

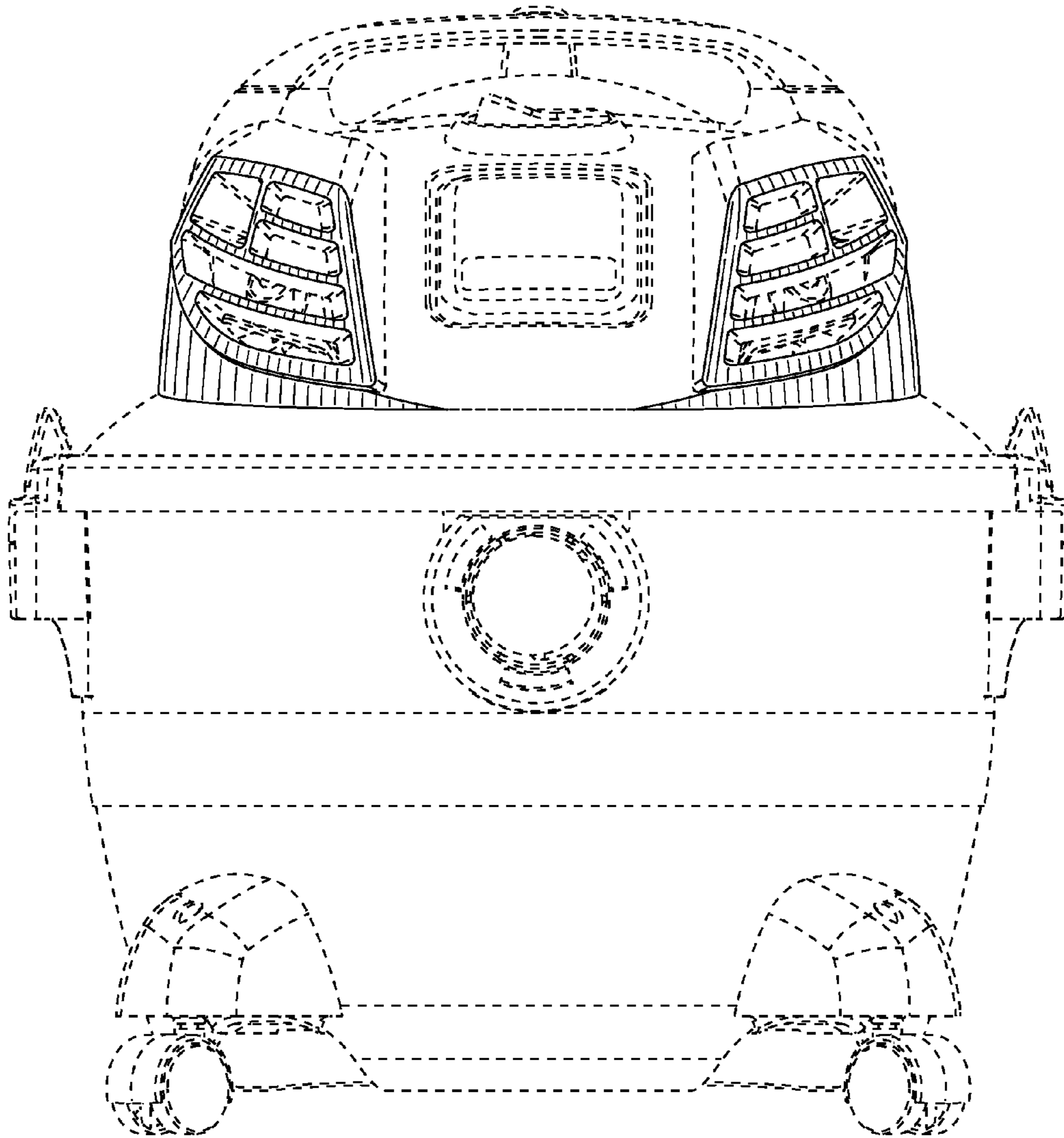


FIG. 8

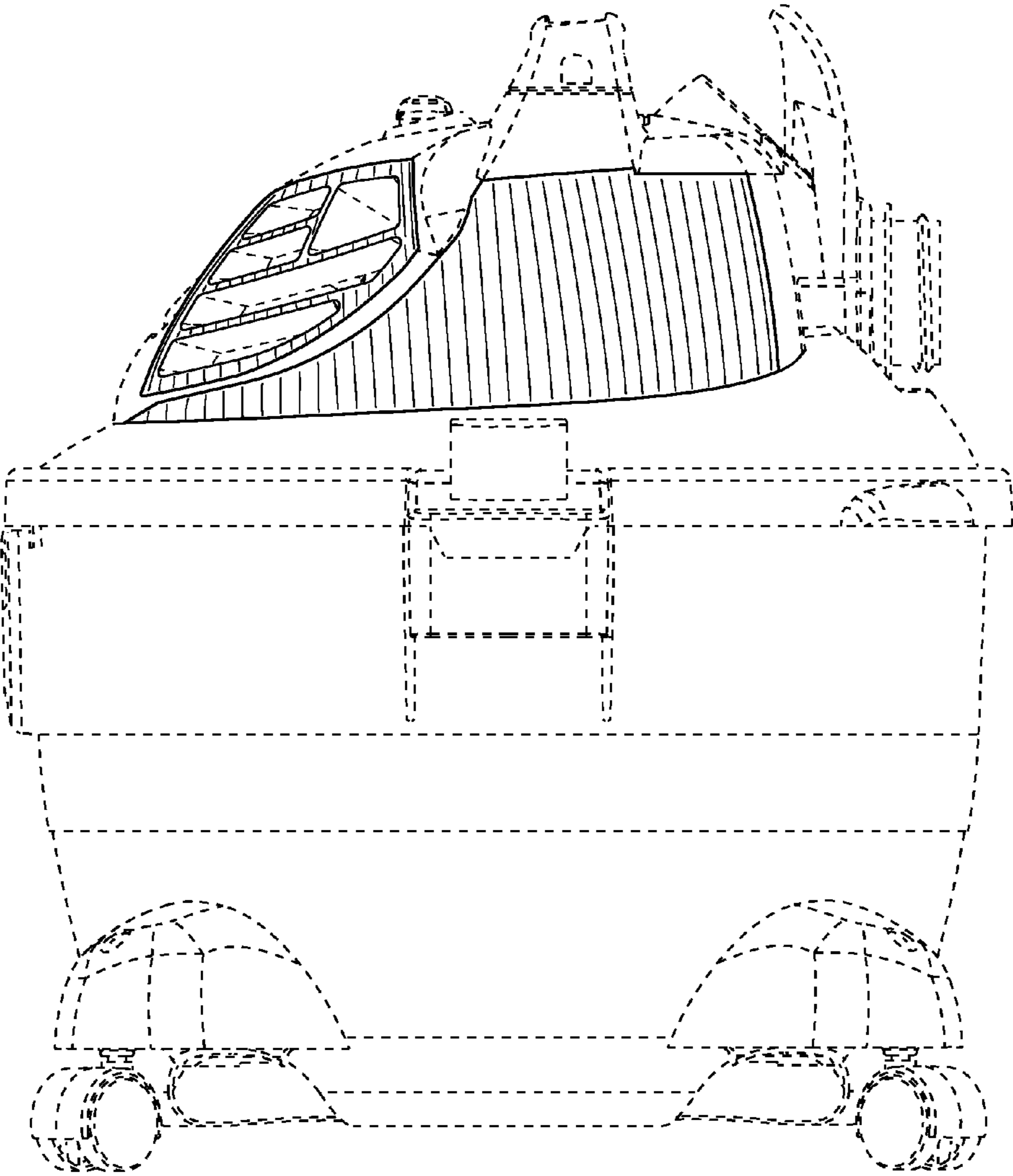


FIG. 9

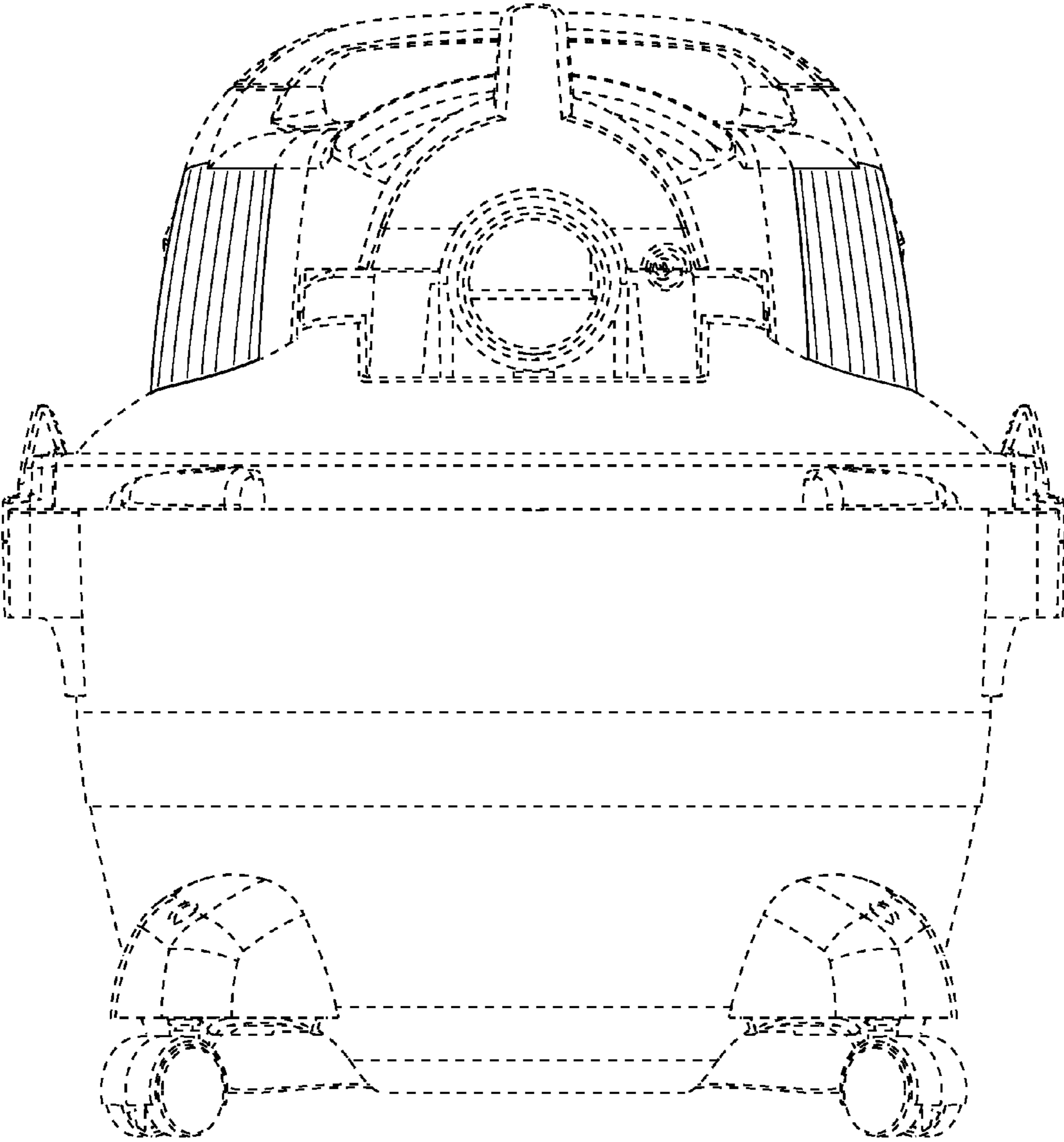


FIG. 10

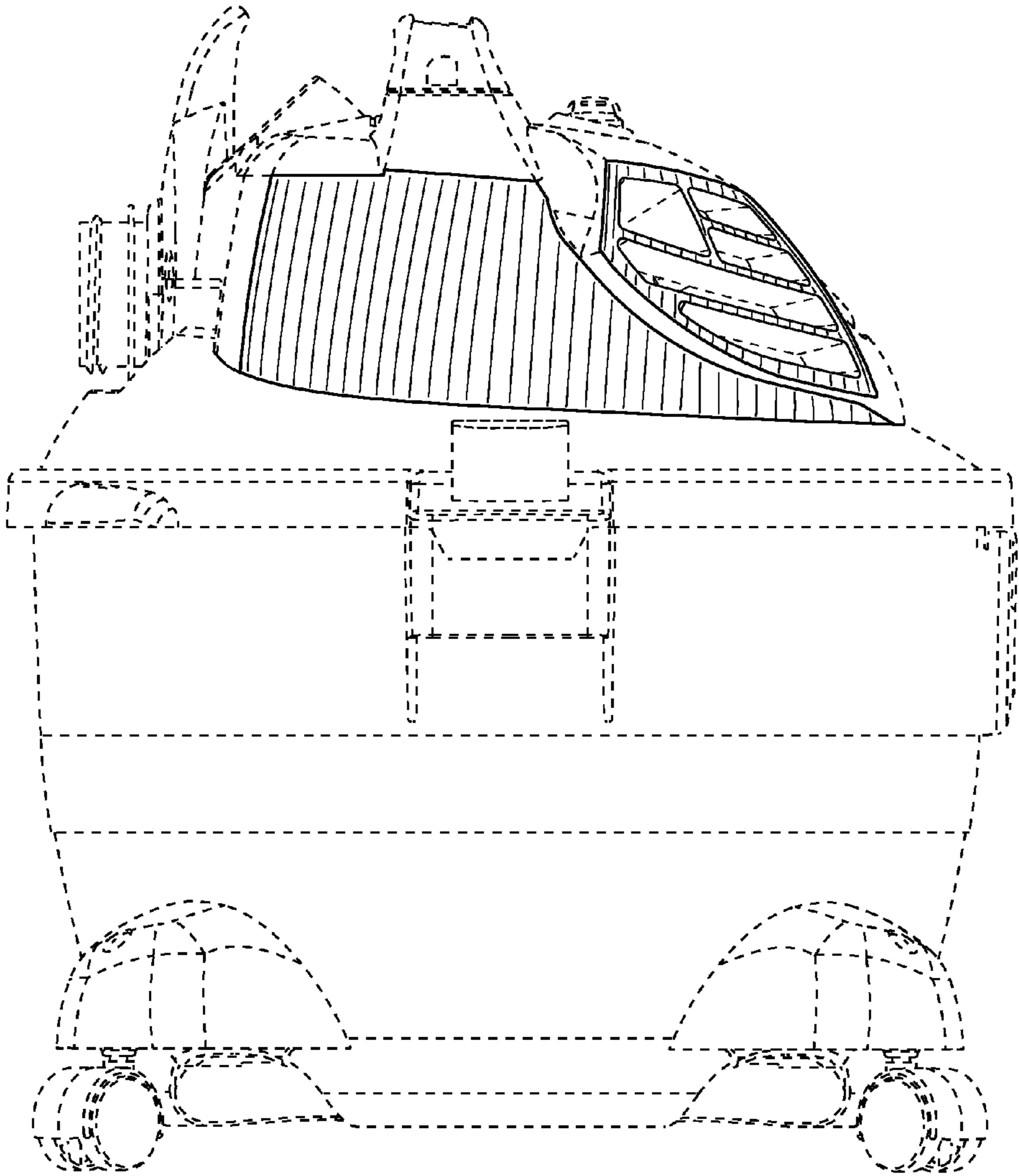


FIG. 11

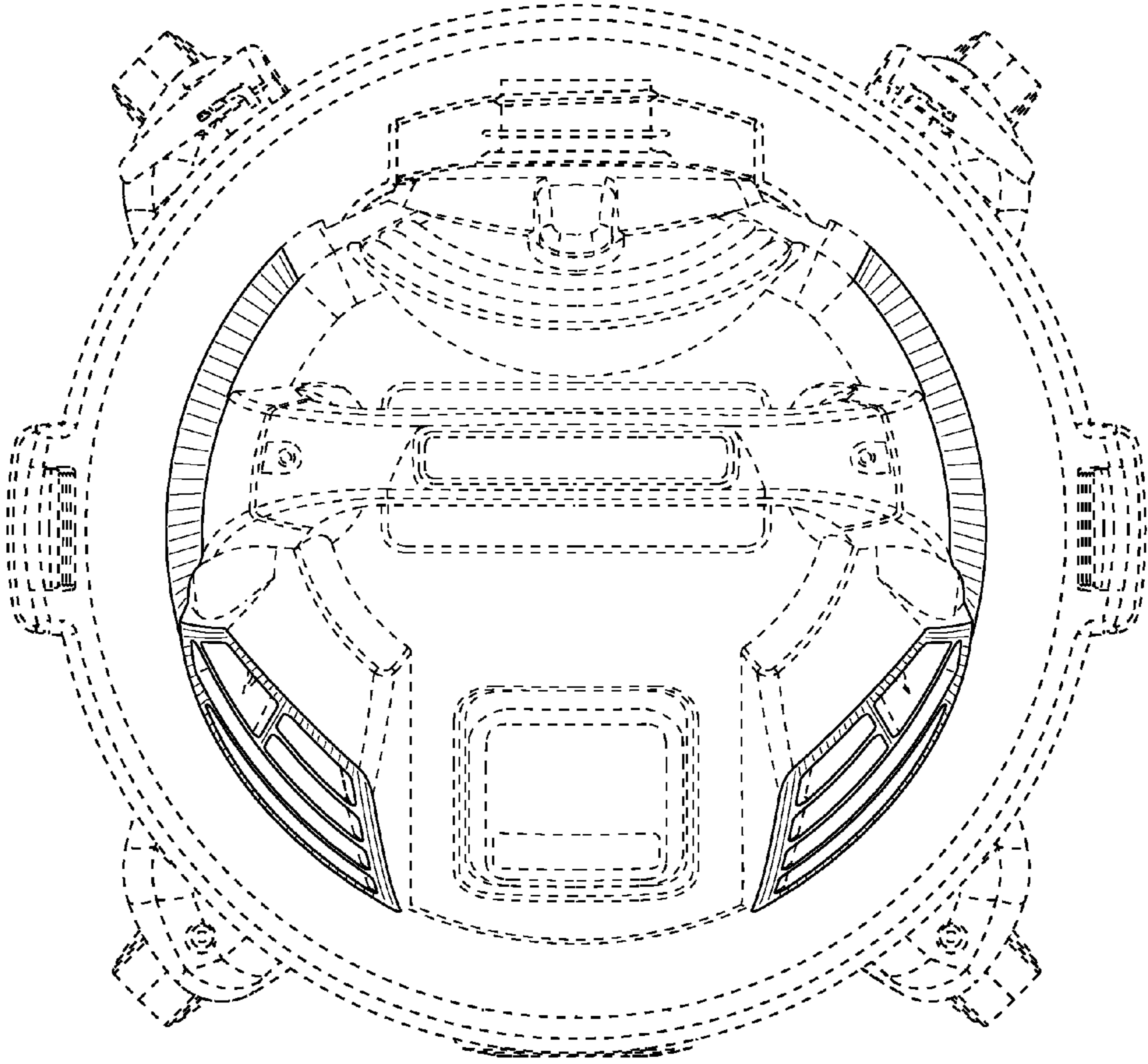


FIG. 12