



US00D717505S

(12) **United States Design Patent**
Diskin et al.

(10) **Patent No.:** **US D717,505 S**
(45) **Date of Patent:** **** Nov. 11, 2014**

- (54) **PET FEEDING DISH**
- (71) Applicant: **Worldwise, Inc.**, San Rafael, CA (US)
- (72) Inventors: **Aimee Diskin**, Napa, CA (US); **Hannah Rosenberg**, San Francisco, CA (US); **Regina Chern**, Danville, CA (US); **Michael Risso**, Napa, CA (US)
- (73) Assignee: **Worldwise, Inc.**, San Rafael, CA (US)
- (**) Term: **14 Years**
- (21) Appl. No.: **29/487,629**
- (22) Filed: **Apr. 10, 2014**
- (51) **LOC (10) Cl.** **30-03**
- (52) **U.S. Cl.**
USPC **D30/133; D30/129**
- (58) **Field of Classification Search**
USPC D30/133, 121, 128, 130, 132; 119/52.1, 119/55, 61.5-61.56; D6/480-485; 248/188; 312/204; 108/153.1-157
See application file for complete search history.

| | | | | | | |
|-----------|---|---|---------|-----------------|-------|----------|
| 3,939,986 | A | * | 2/1976 | Pierro | | 211/74 |
| D246,245 | S | * | 11/1977 | Gill et al. | | D7/364 |
| 4,065,195 | A | * | 12/1977 | Fahmie | | 312/258 |
| D258,018 | S | * | 1/1981 | Venditto et al. | | D30/130 |
| D279,845 | S | * | 7/1985 | Holliman | | D14/457 |
| 4,633,815 | A | * | 1/1987 | Peterson et al. | | 119/72 |
| 4,699,089 | A | * | 10/1987 | Teschke | | 119/51.5 |
| D293,947 | S | * | 1/1988 | Yunker | | D30/130 |
| D316,214 | S | * | 4/1991 | O'Donnell | | D8/14 |
| D324,799 | S | * | 3/1992 | Shoemaker | | D7/701 |
| 5,152,247 | A | * | 10/1992 | Brown | | 119/464 |
| D342,170 | S | * | 12/1993 | Palmer | | D12/425 |
| 5,427,292 | A | * | 6/1995 | Rousch | | 224/275 |
| D359,862 | S | * | 7/1995 | Rousch | | D6/406.6 |
| 5,509,376 | A | * | 4/1996 | Tsengas | | 119/51.5 |
| D374,517 | S | * | 10/1996 | Morrill | | D30/133 |
| D404,219 | S | * | 1/1999 | Patterson | | D6/406.6 |
| D424,252 | S | * | 5/2000 | Hirsh | | D30/130 |
| D424,759 | S | * | 5/2000 | Sipka | | D30/130 |
| D425,262 | S | * | 5/2000 | Scott et al. | | D30/130 |
| D446,611 | S | * | 8/2001 | Gunter | | D30/130 |
| D477,691 | S | * | 7/2003 | Crowley | | D30/131 |
| D478,193 | S | * | 8/2003 | Routh | | D30/131 |

(Continued)

Primary Examiner — Susan Moon Lee

(74) *Attorney, Agent, or Firm* — Bay Area Technology Law Group PC

(56) **References Cited**
U.S. PATENT DOCUMENTS

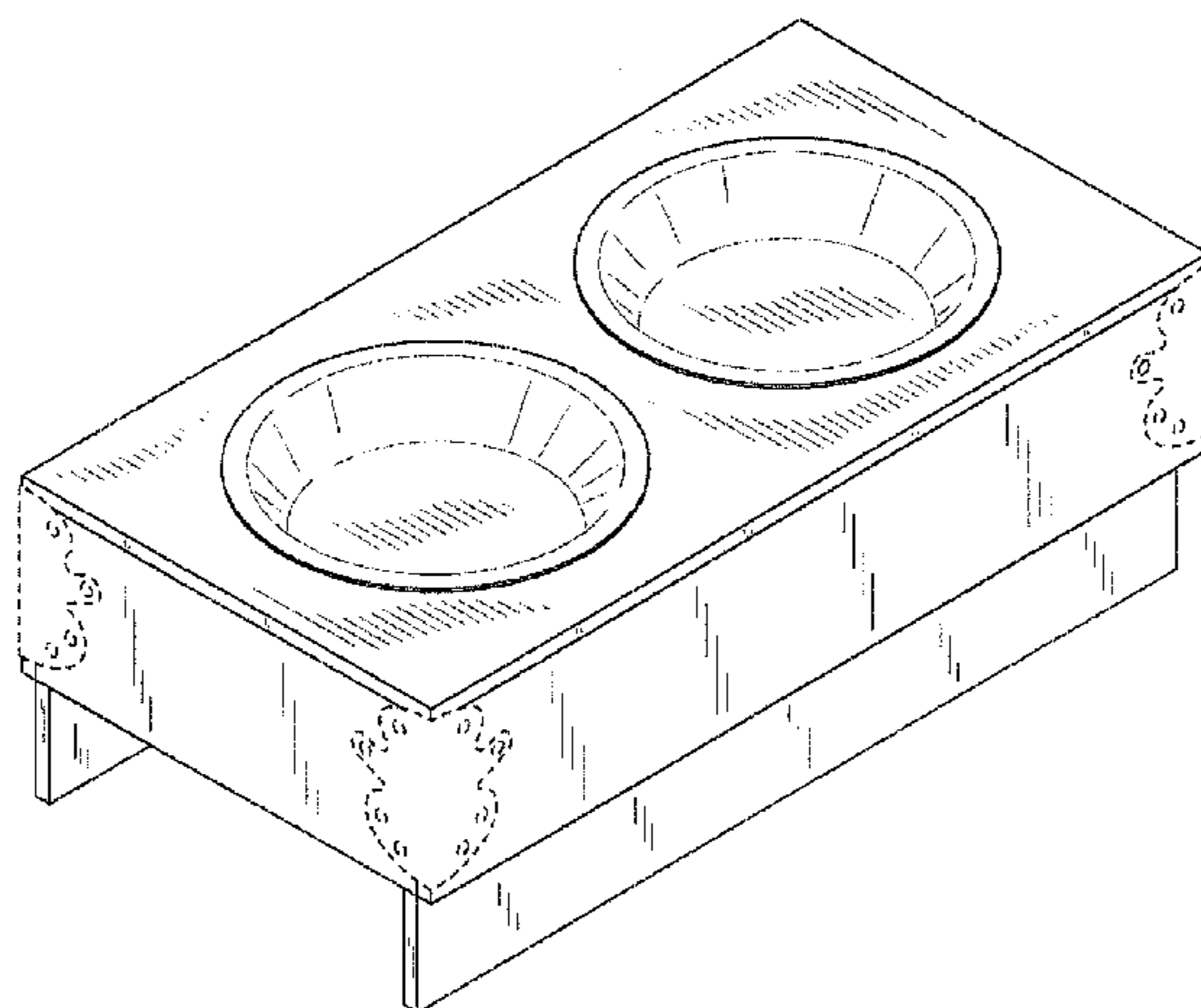
| | | | | | | |
|-----------|---|---|---------|------------------|-------|-----------|
| D29,074 | S | * | 7/1898 | Albach | | D7/364 |
| D31,721 | S | * | 10/1899 | Griswod, Jr. | | D7/364 |
| D34,490 | S | * | 5/1901 | Malton | | D7/364 |
| D84,758 | S | * | 7/1931 | Samuels | | D7/364 |
| D89,262 | S | * | 2/1933 | Nunimaker | | D30/130 |
| D92,329 | S | * | 5/1934 | Weinhardt et al. | | D7/364 |
| D101,156 | S | * | 9/1936 | Anthony | | D7/364 |
| D105,450 | S | * | 7/1937 | Clifton | | D30/130 |
| D107,453 | S | * | 12/1937 | Preston | | D7/364 |
| D109,359 | S | * | 4/1938 | Stocker | | D7/364 |
| D118,821 | S | * | 2/1940 | Huenefeld | | D7/364 |
| 3,180,316 | A | * | 4/1965 | Chatfield et al. | | 119/51.12 |
| 3,631,840 | A | * | 1/1972 | McCormack | | 119/51.12 |
| D234,318 | S | * | 2/1975 | Starrett | | D15/79 |

(57) **CLAIM**
The ornamental design for a pet feeding dish, as shown and described.

DESCRIPTION

FIG. 1 is a perspective view of a pet feeding dish showing my new design;
FIG. 2 is a top side view thereof;
FIG. 3 is a bottom side view thereof;
FIG. 4 is a front plan view thereof;
FIG. 5 is a back plan view thereof;
FIG. 6 is a left side view thereof; and,
FIG. 7 is a right side view thereof.

1 Claim, 3 Drawing Sheets



(56)

References Cited

U.S. PATENT DOCUMENTS

| | | | | | | | | | |
|----------------|---------|---------------|-------|----------|-------------------|---------|------------------|-------|----------|
| D491,012 S * | 6/2004 | Rogers | | D7/364 | D621,560 S * | 8/2010 | McMurphy | | D30/133 |
| D499,029 S * | 11/2004 | Maarberg | | D10/46.3 | D638,670 S * | 5/2011 | Breitenmoser | | D7/701 |
| D506,294 S * | 6/2005 | Boje | | D30/133 | 7,938,083 B1 * | 5/2011 | Huether et al. | | 119/61.5 |
| D513,151 S * | 12/2005 | Currie | | D7/364 | D647,668 S * | 10/2011 | Siklosi | | D30/133 |
| 7,124,709 B1 * | 10/2006 | Greer | | 119/61.5 | D651,039 S * | 12/2011 | O'Neill et al. | | D7/364 |
| D580,110 S * | 11/2008 | Tsengas | | D30/133 | D651,845 S * | 1/2012 | O'Neill et al. | | D7/364 |
| D591,074 S * | 4/2009 | Powers et al. | | D6/406.6 | D682,485 S * | 5/2013 | Wygle | | D30/133 |
| 7,762,211 B1 * | 7/2010 | McDaniel | | 119/51.5 | D686,784 S * | 7/2013 | Elliott et al. | | D30/133 |
| | | | | | D699,402 S * | 2/2014 | Diskin et al. | | D30/133 |
| | | | | | D710,550 S * | 8/2014 | Elliott et al. | | D30/133 |
| | | | | | 2009/0241844 A1 * | 10/2009 | Becattini et al. | | 119/51.5 |

* cited by examiner

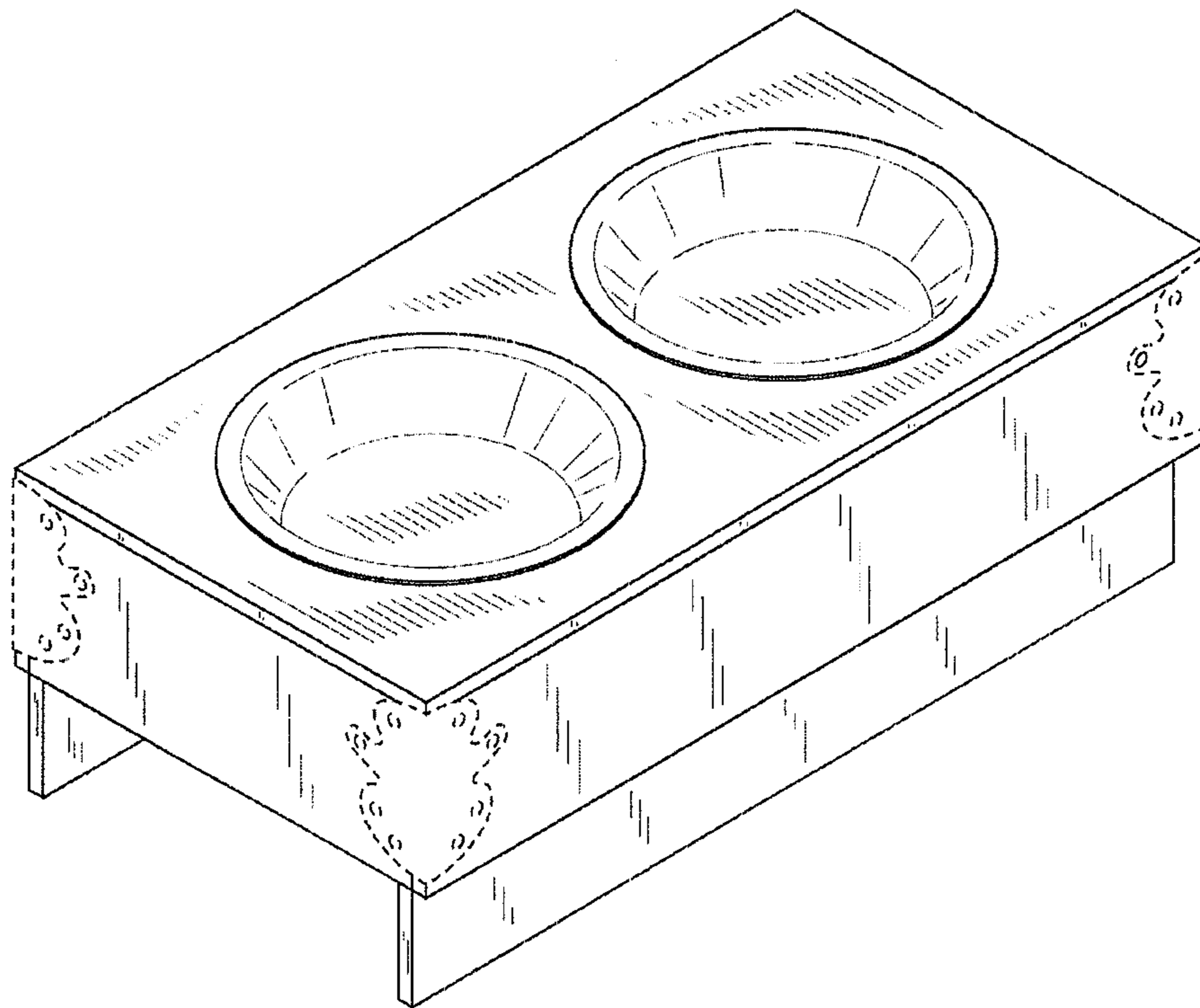


FIG. 1

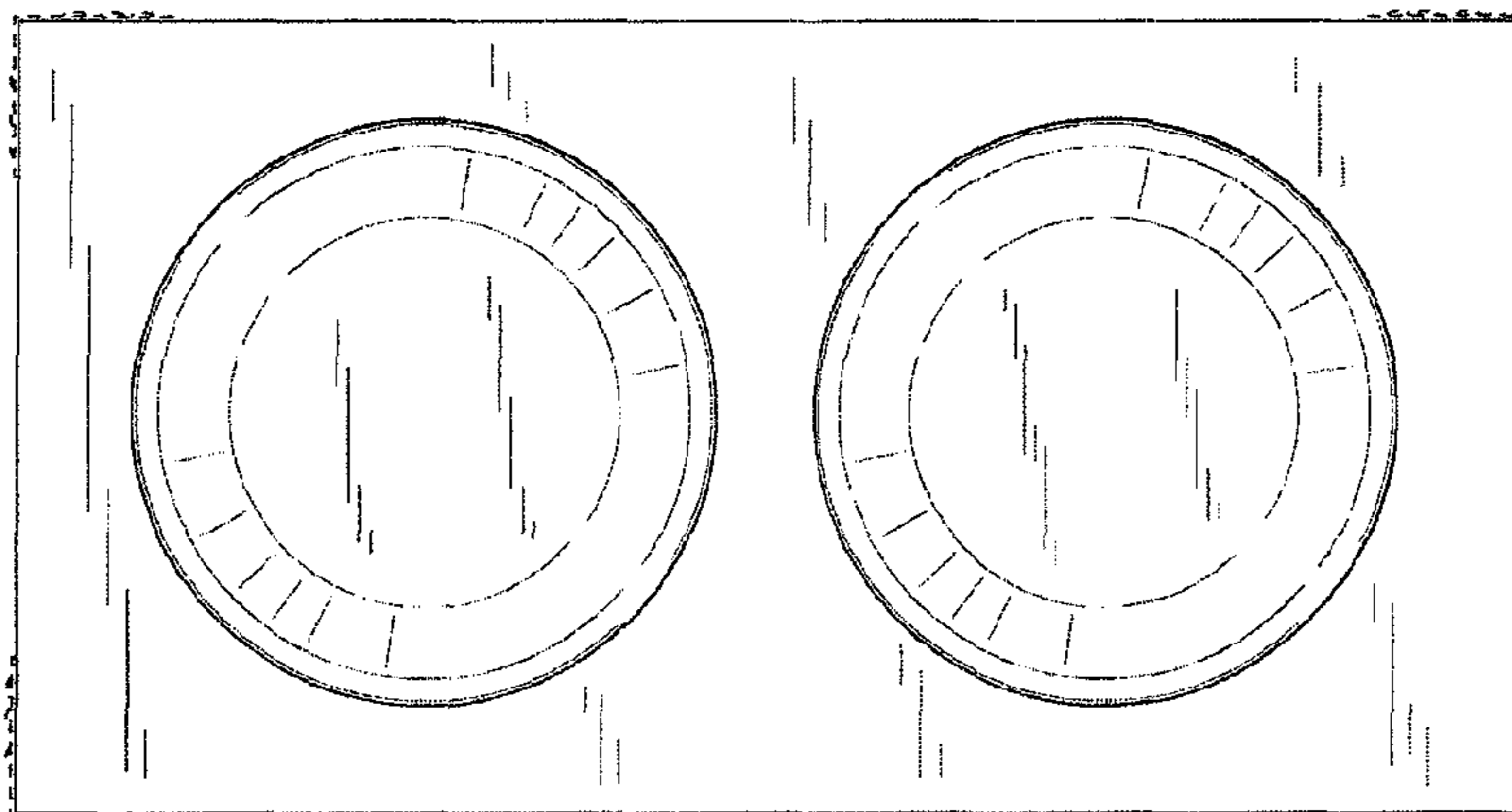


FIG. 2

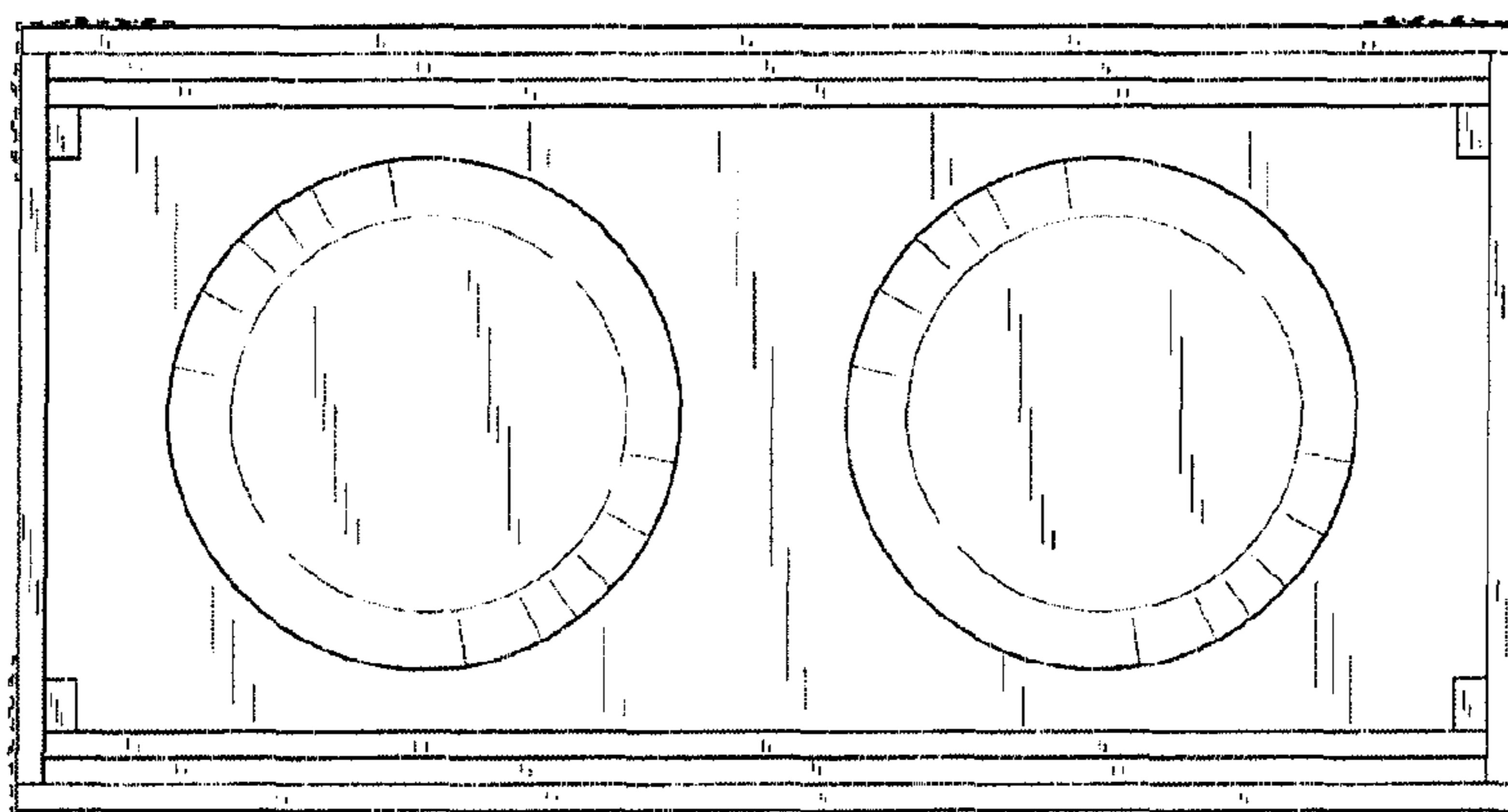


FIG. 3

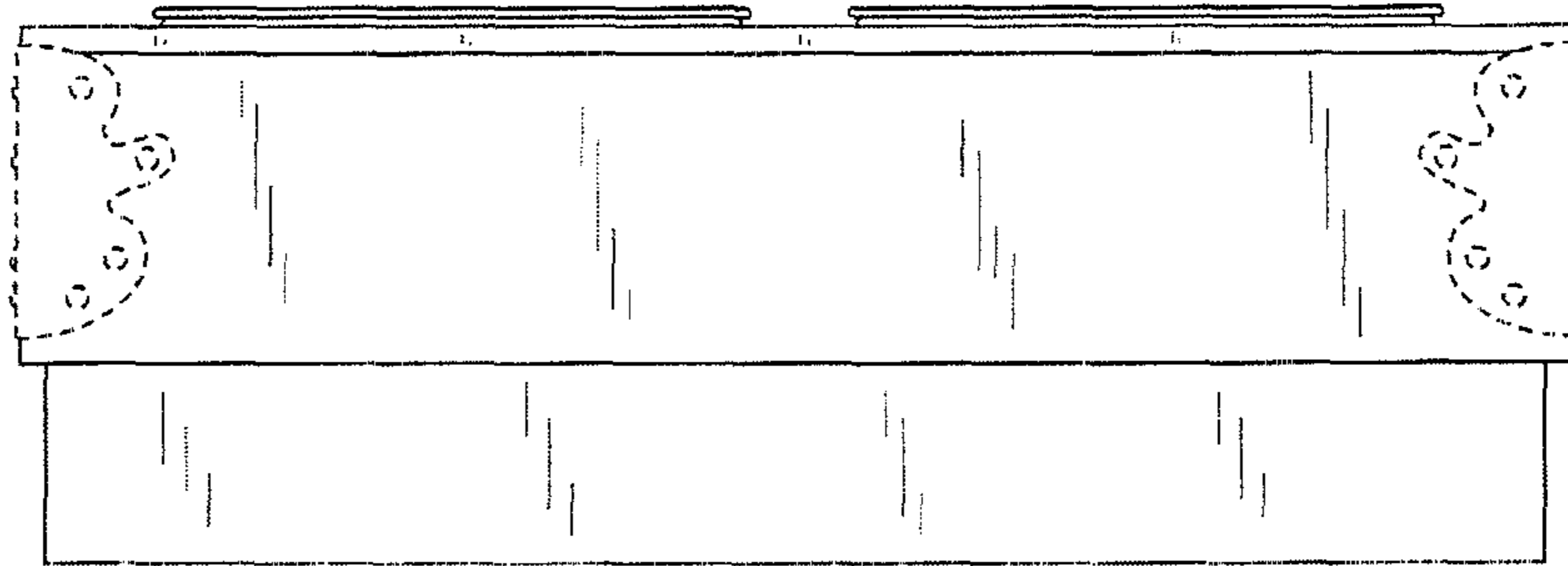


FIG. 4

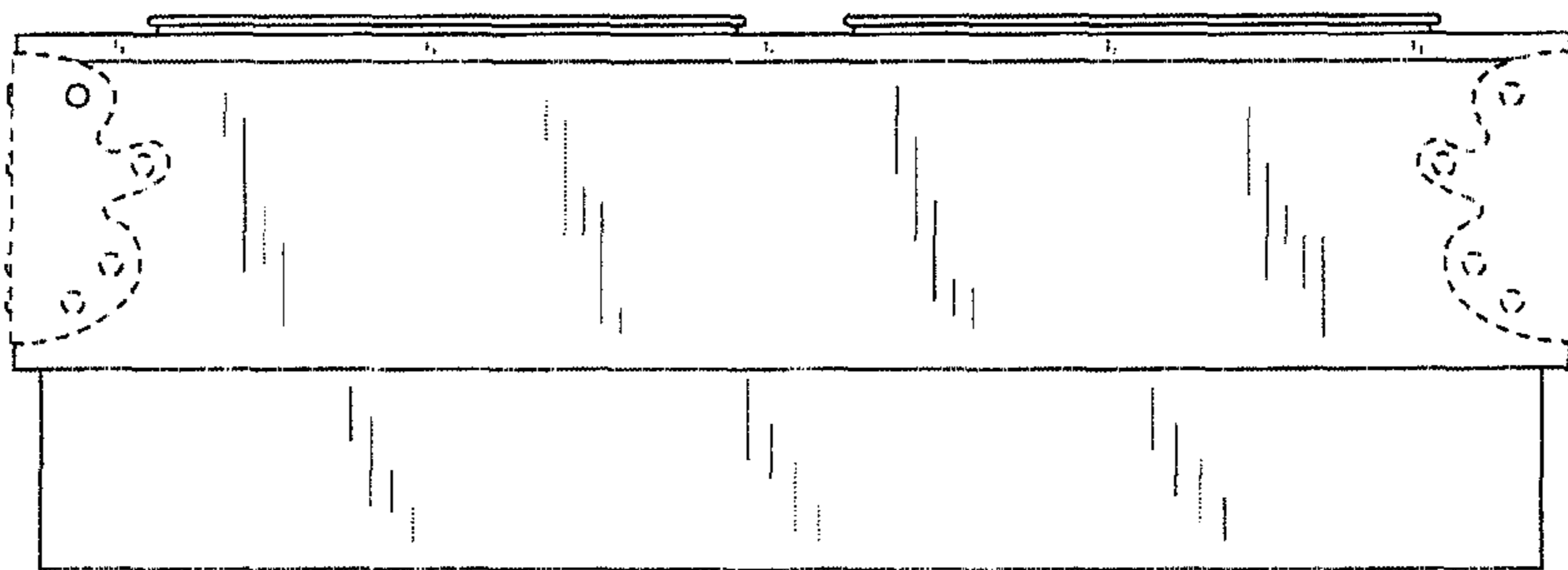


FIG. 5

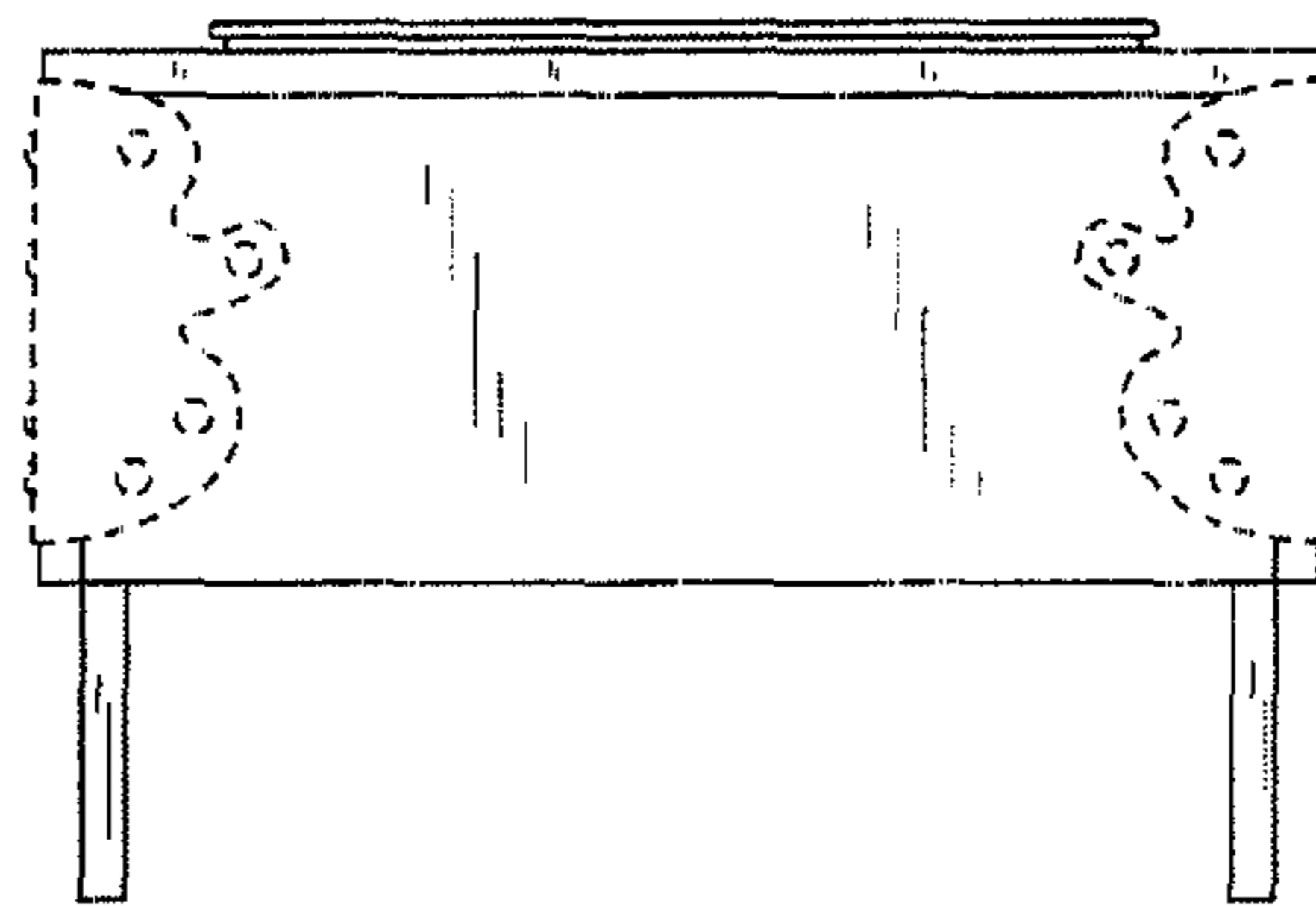


FIG. 6

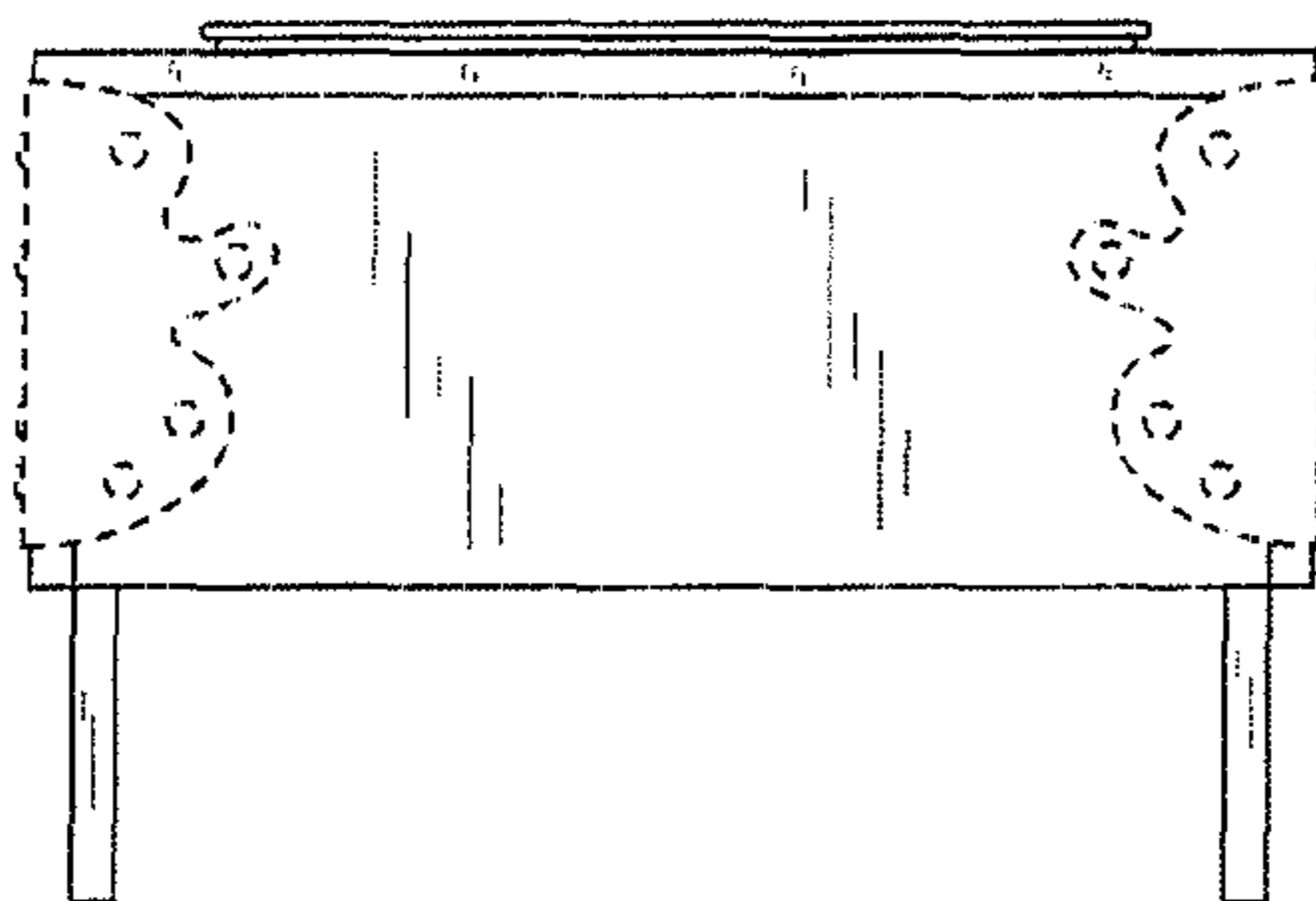


FIG. 7