



US00D717500S

(12) **United States Design Patent**  
**Deng**

(10) **Patent No.:** **US D717,500 S**

(45) **Date of Patent:** **\*\* Nov. 11, 2014**

(54) **APPLE ORNAMENT**

(75) Inventor: **Peixing Deng**, Shenzhen (CN)

(73) Assignee: **Shenzhen Xingrisheng Industrial Co., Ltd.**, Shenzhen (CN)

(\*\*) Term: **14 Years**

(21) Appl. No.: **29/422,758**

(22) Filed: **May 23, 2012**

(30) **Foreign Application Priority Data**

Nov. 25, 2011 (CN) ..... 2011 3 0438886

(51) **LOC (10) Cl.** ..... **30-02**

(52) **U.S. Cl.**  
USPC ..... **D30/101; D11/133**

(58) **Field of Classification Search**  
USPC ..... D6/300-314; D11/95, 108, 131-133,  
D11/140, 157, 164, 184; D20/10, 12, 15,  
D20/19, 22, 23, 29, 36, 43; 40/1, 124.5,  
40/700, 725, 735, 743, 745, 746, 748, 749,  
40/753, 757, 759, 761, 798, 799; 428/7, 8,  
428/14, 542.2, 542.4, 542.6, 913.3  
See application file for complete search history.

(56) **References Cited**

**U.S. PATENT DOCUMENTS**

1,436,024 A \* 11/1922 Emery ..... 428/21  
D251,238 S \* 3/1979 Lutzker ..... D11/151

D302,315 S \* 7/1989 Lam ..... D26/7  
D351,569 S \* 10/1994 Chin-Sheng ..... D11/117  
D356,371 S \* 3/1995 El-Assir ..... D23/367  
D431,097 S \* 9/2000 Tamez ..... D28/67  
D433,351 S \* 11/2000 Ellis et al. .... D11/131  
D436,106 S \* 1/2001 Mohamed ..... D14/371  
D442,834 S \* 5/2001 Perez ..... D7/628  
D489,971 S \* 5/2004 Tamez ..... D9/645  
D528,405 S \* 9/2006 Kelleghan et al. .... D8/356  
D582,158 S \* 12/2008 Nathanson ..... D3/271.1  
D615,828 S \* 5/2010 Shamoon ..... D7/699

\* cited by examiner

*Primary Examiner* — T. Chase Nelson  
*Assistant Examiner* — Michelle E Wilson

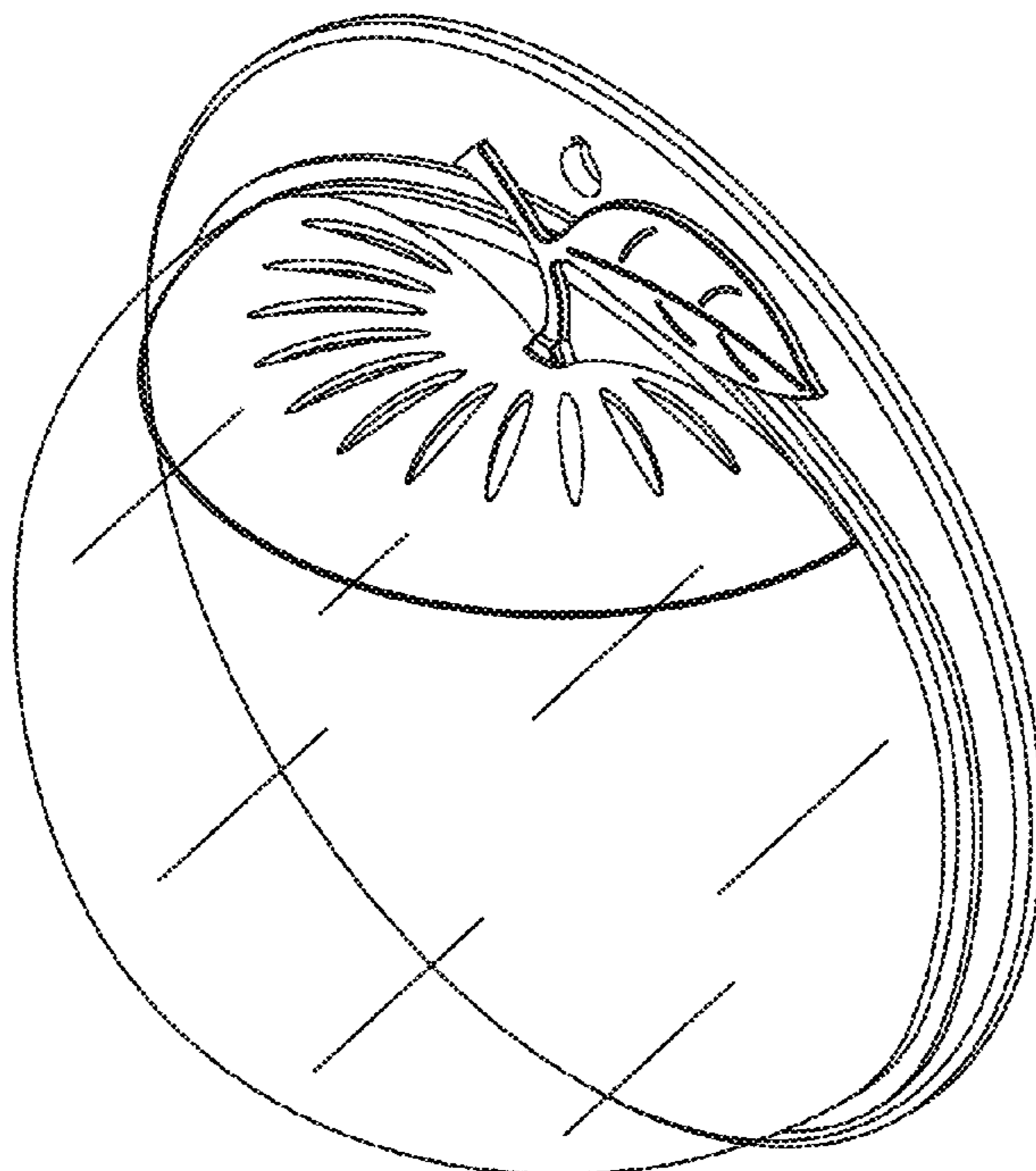
(57) **CLAIM**

The ornamental design for a apple ornament, as shown and described.

**DESCRIPTION**

FIG. 1 is a front perspective view of a first embodiment of the apple ornament, showing my new design;  
FIG. 2 is a front plan view thereof;  
FIG. 3 is a rear plan view thereof;  
FIG. 4 is a left plan view thereof;  
FIG. 5 is a right plan view thereof;  
FIG. 6 is a top plan view thereof;  
FIG. 7 is a bottom plan view thereof; and,  
FIG. 8 is a front perspective view of an alternative embodiment of the apple ornament.

**1 Claim, 4 Drawing Sheets**



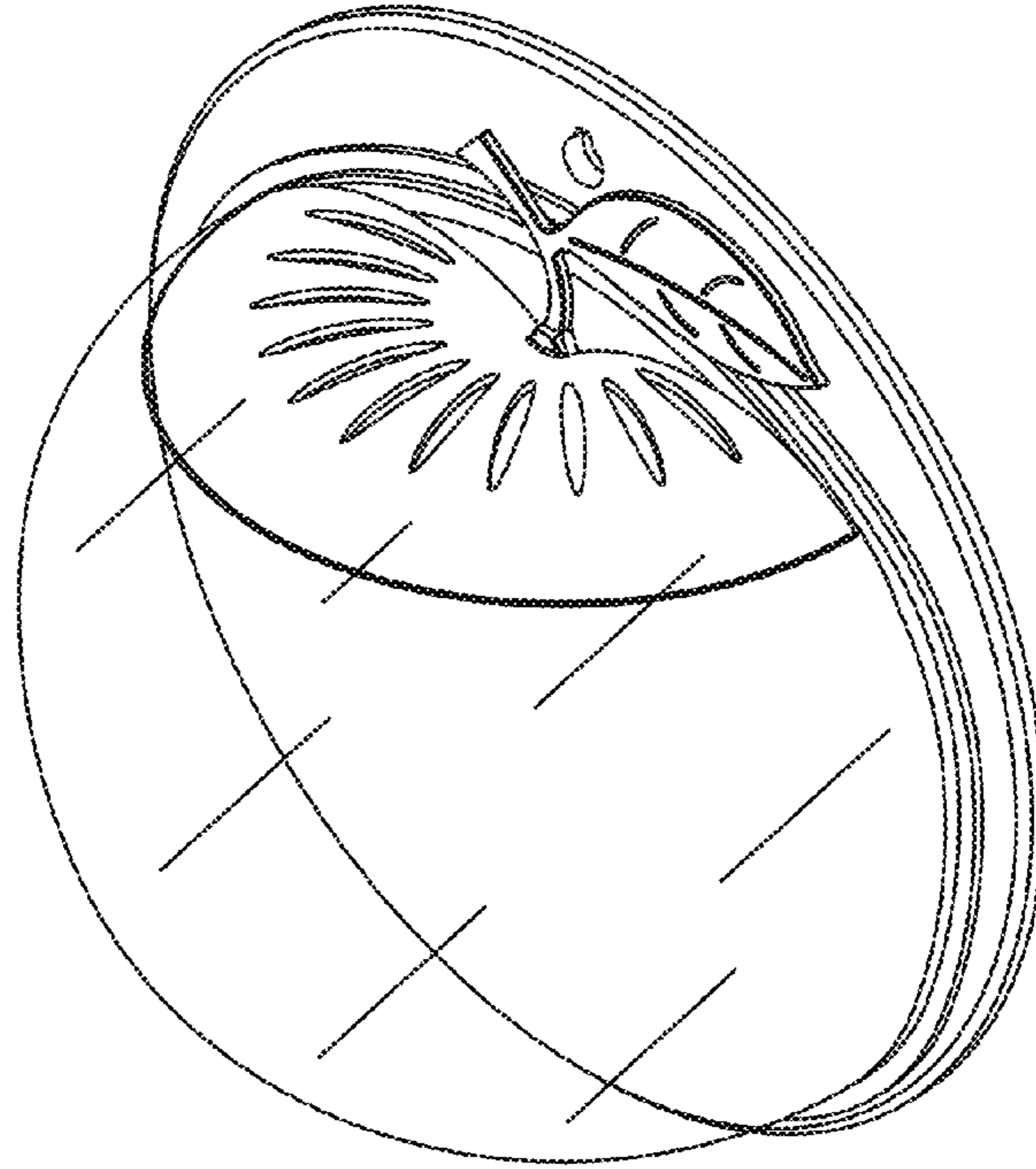


Fig. 1

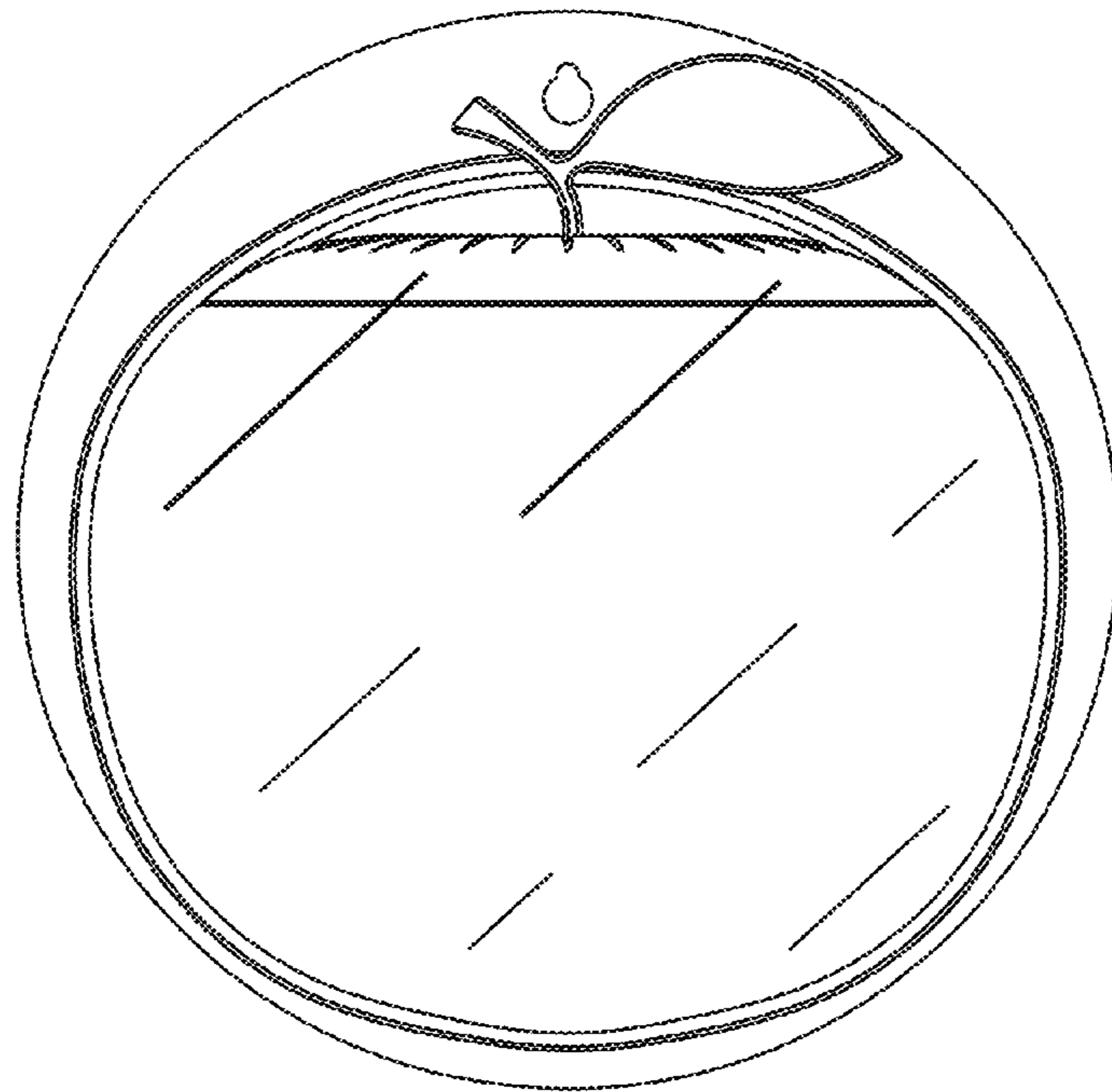


Fig. 2

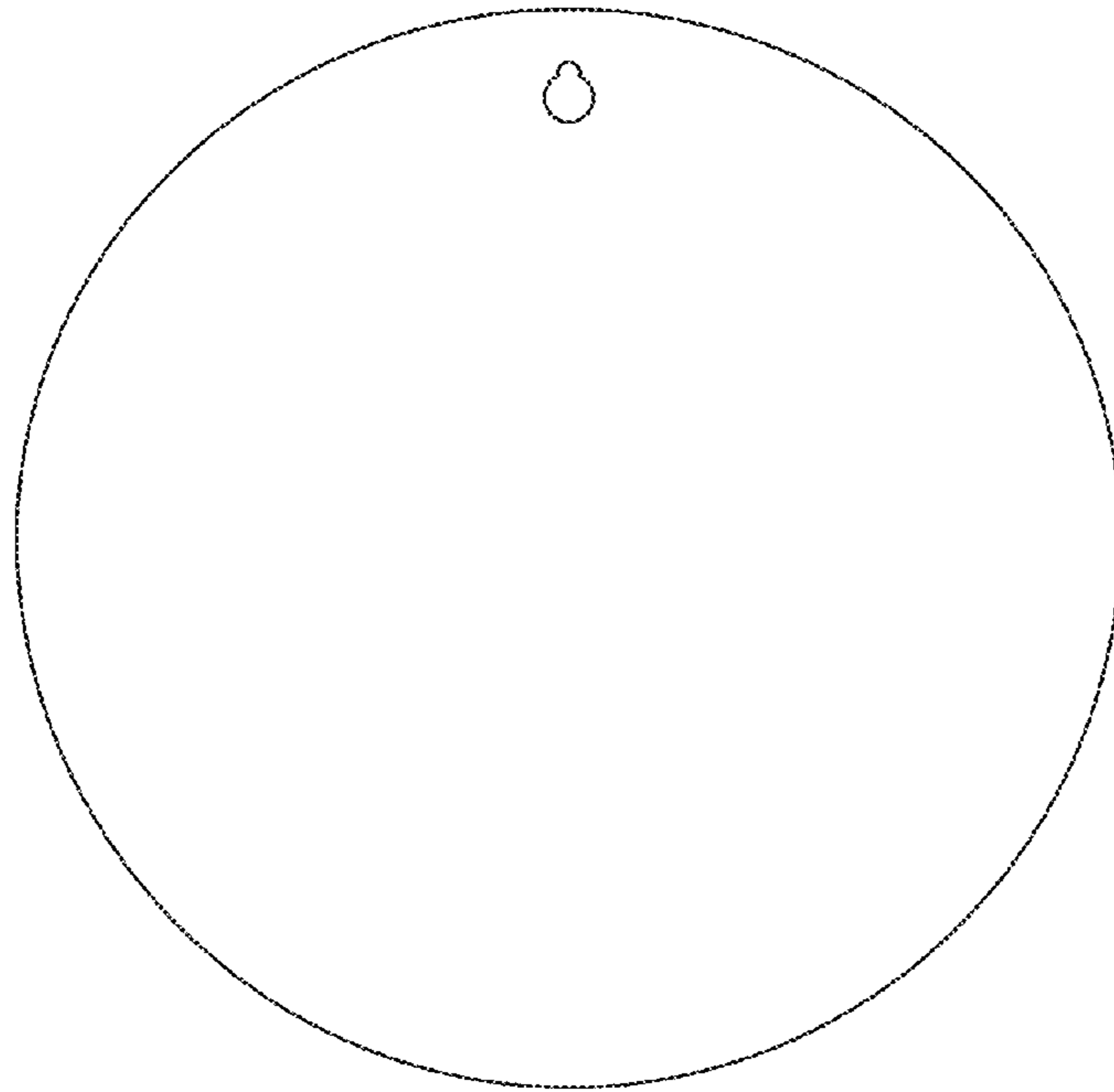


Fig.3

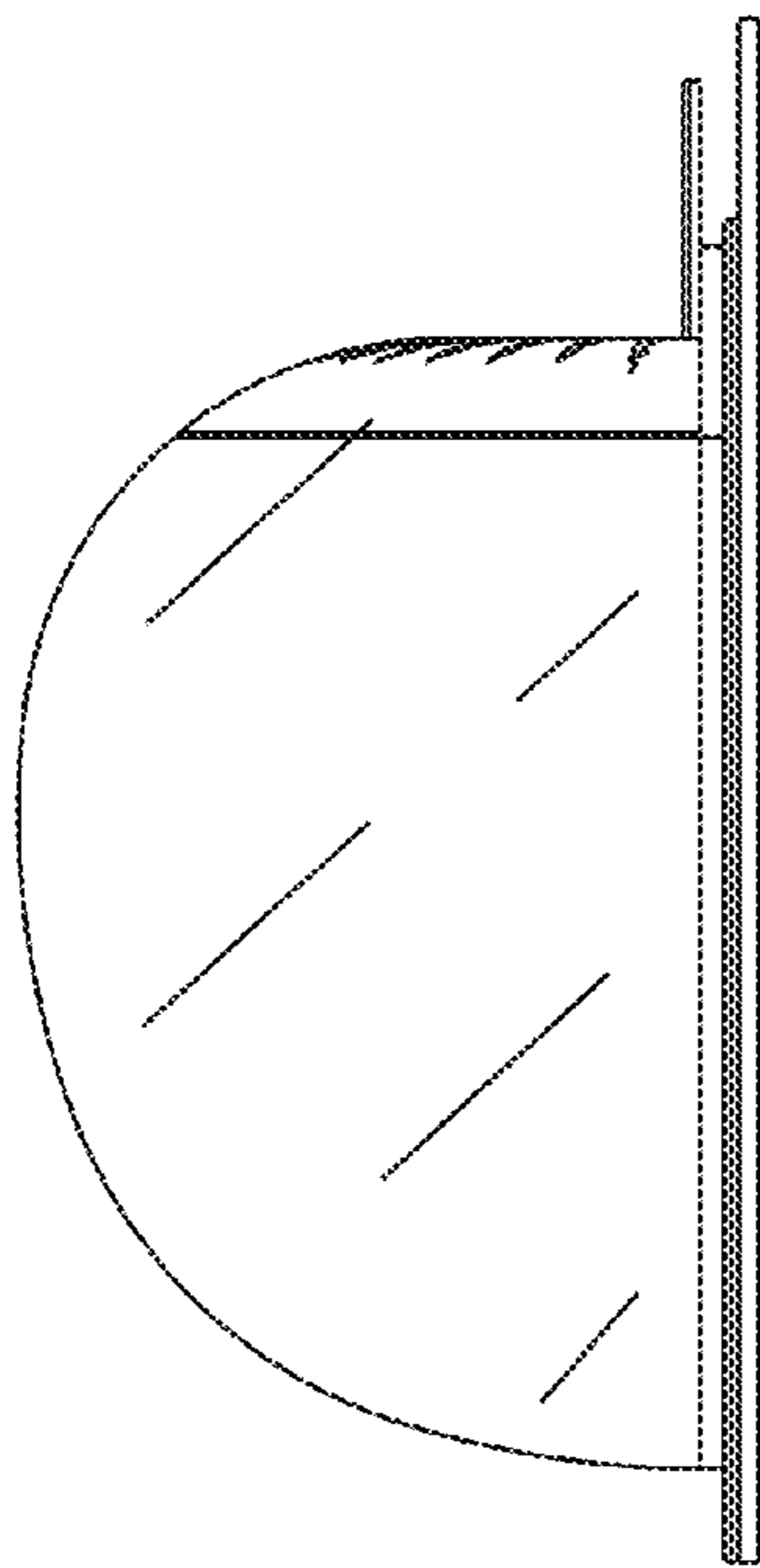


Fig.5

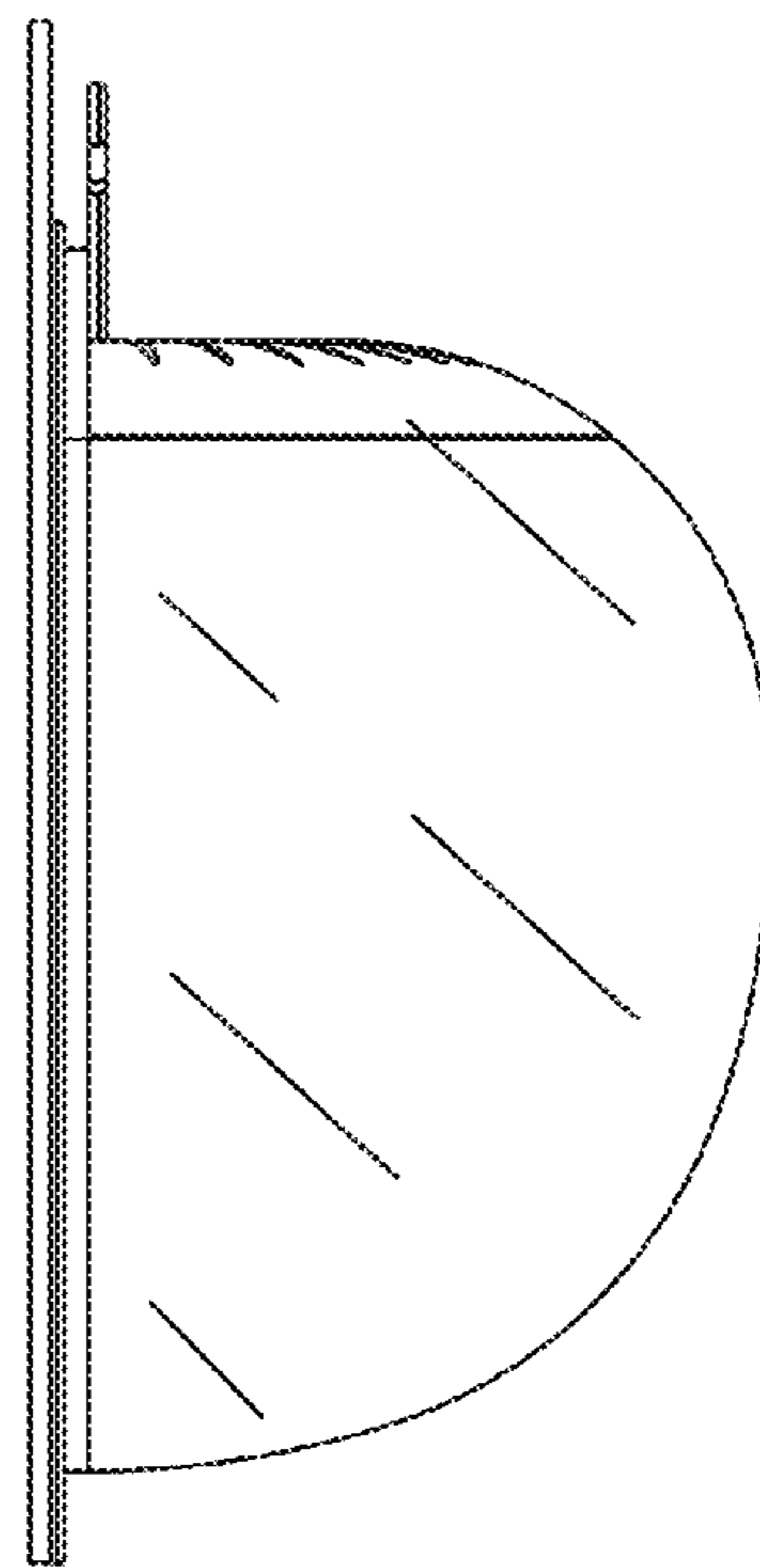


Fig.4

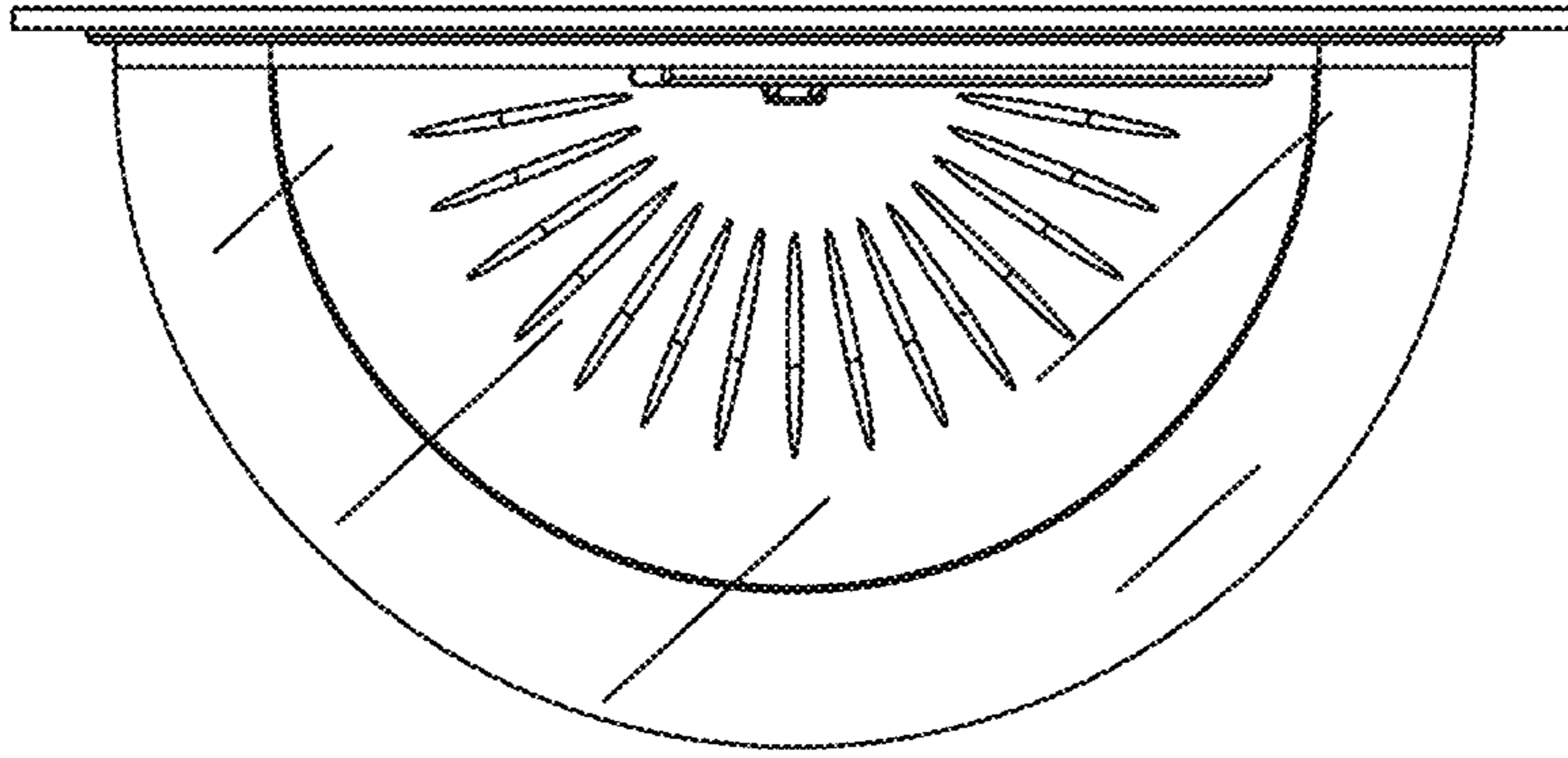


Fig. 6

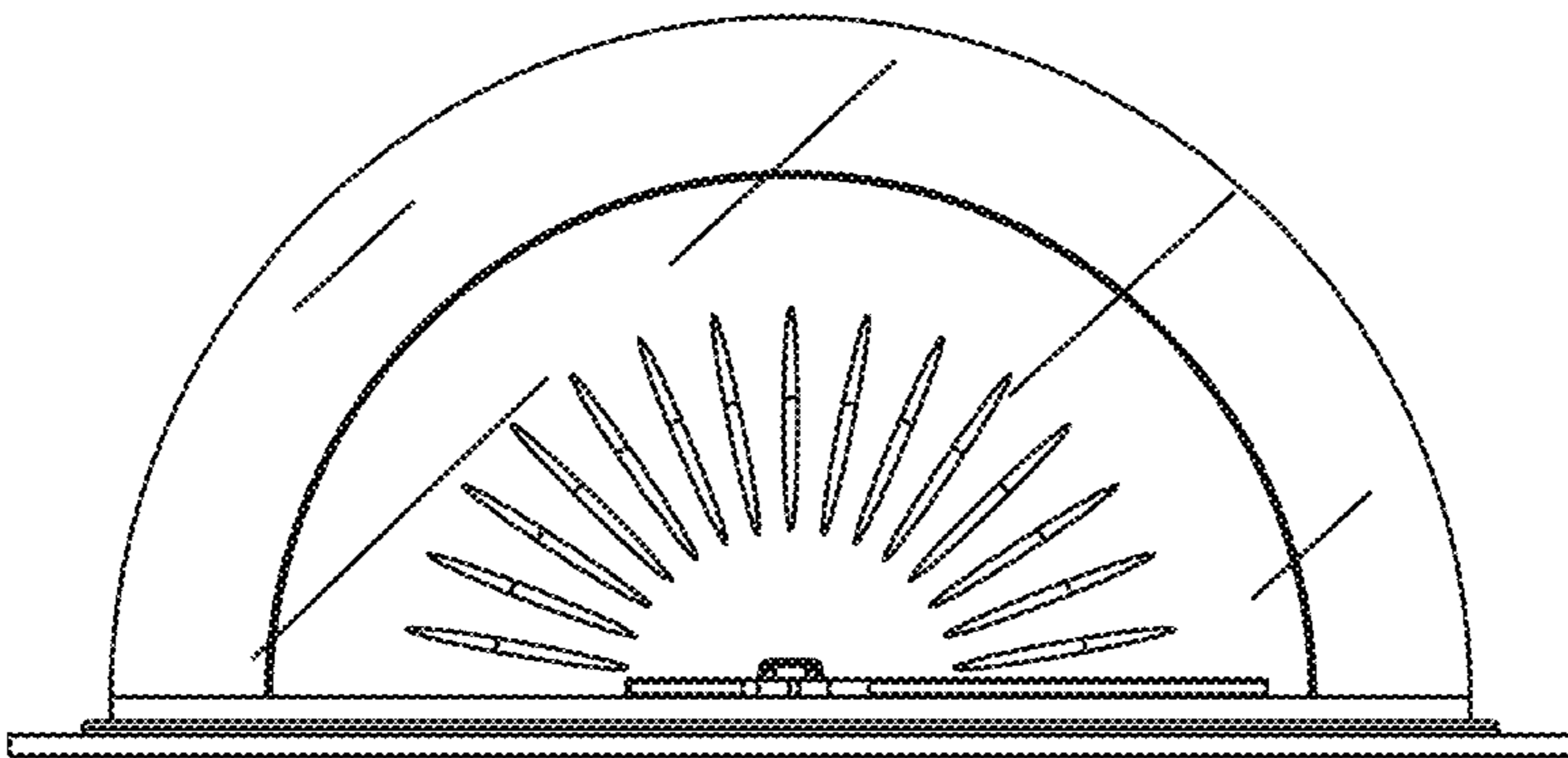


Fig. 7

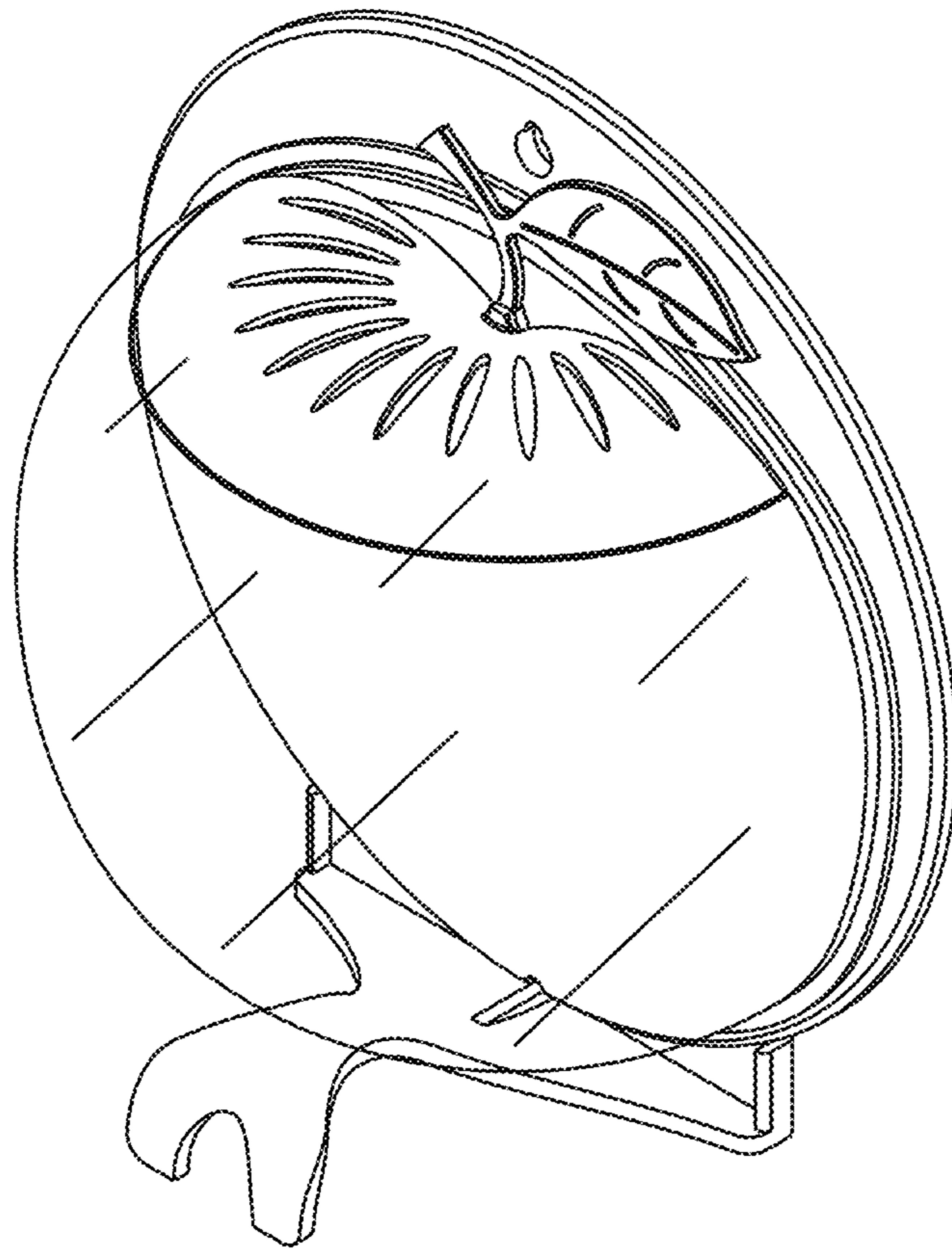


Fig.8