



US00D717492S

(12) **United States Design Patent**  
**Kulshreshtha**

(10) **Patent No.:** **US D717,492 S**

(45) **Date of Patent:** **\*\* Nov. 11, 2014**

(54) **ELECTRIC HAIR CLIPPER**

(71) Applicant: **Skull Shaver, LLC**, Mount Holly, NJ  
(US)

(72) Inventor: **Neel B. Kulshreshtha**, Burlington  
Township, NJ (US)

(73) Assignee: **Skull Shaver, LLC**, Mount Holly, NJ  
(US)

(\*\*) Term: **14 Years**

(21) Appl. No.: **29/462,783**

(22) Filed: **Aug. 8, 2013**

(51) **LOC (10) Cl.** ..... **28-03**

(52) **U.S. Cl.**  
USPC ..... **D28/53**

(58) **Field of Classification Search**  
USPC ..... D28/44-54; 30/32, 34.05, 34.1, 34.2,  
30/43-43.92, 526-527, 44-45, 341,  
30/195-223, 272.1, 226-227, 231,  
30/233-233.5, 298  
See application file for complete search history.

(56) **References Cited**

**U.S. PATENT DOCUMENTS**

D446,351 S \* 8/2001 Greene ..... D28/46  
6,550,148 B2 \* 4/2003 Cecil ..... 30/526

D546,001 S \* 7/2007 McLachlan ..... D28/50  
D558,924 S \* 1/2008 Cafaro et al. .... D28/52  
D671,267 S \* 11/2012 Hsu ..... D28/50  
D672,504 S \* 12/2012 Lyles ..... D28/50  
D693,060 S \* 11/2013 Lyles ..... D28/50  
2005/0246906 A1 \* 11/2005 Greene ..... 30/527  
2008/0072430 A1 \* 3/2008 Cafaro et al. .... 30/45  
2009/0025234 A1 \* 1/2009 Carlucci ..... 30/527  
2011/0016734 A1 \* 1/2011 Kludjian et al. .... 30/526

\* cited by examiner

*Primary Examiner* — Jennifer Rivard

(74) *Attorney, Agent, or Firm* — Norman E. Lehrer

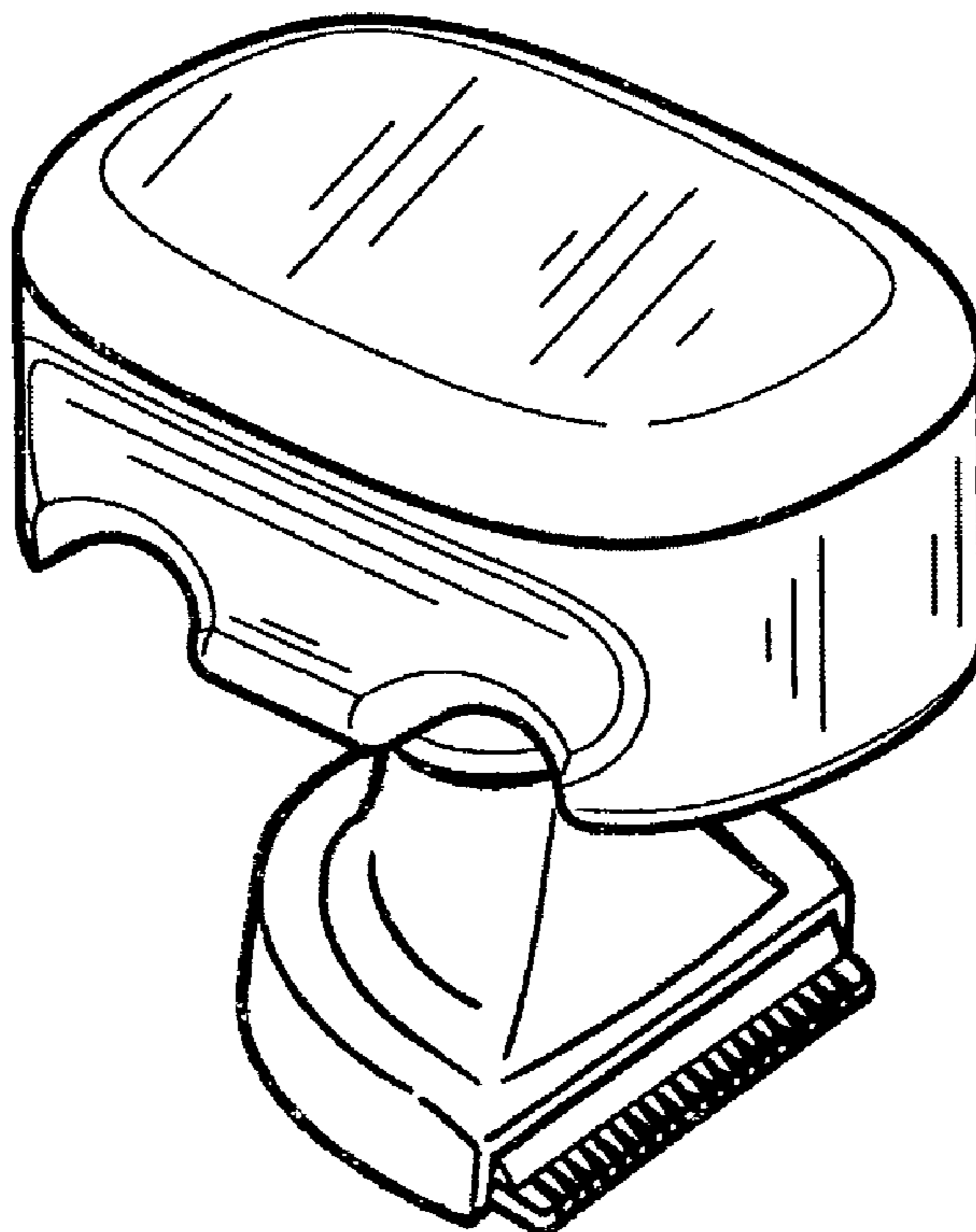
(57) **CLAIM**

The ornamental design for an electric hair clipper, as shown and described.

**DESCRIPTION**

FIG. 1 is a top perspective view of an electric hair clipper showing my new design;  
FIG. 2 is a bottom perspective view thereof;  
FIG. 3 is a top plan view thereof;  
FIG. 4 is a bottom plan view thereof;  
FIG. 5 is a left side elevational view thereof, the right side being the mirror image thereof;  
FIG. 6 is a rear elevational view thereof; and,  
FIG. 7 is a front elevational view thereof.

**1 Claim, 2 Drawing Sheets**



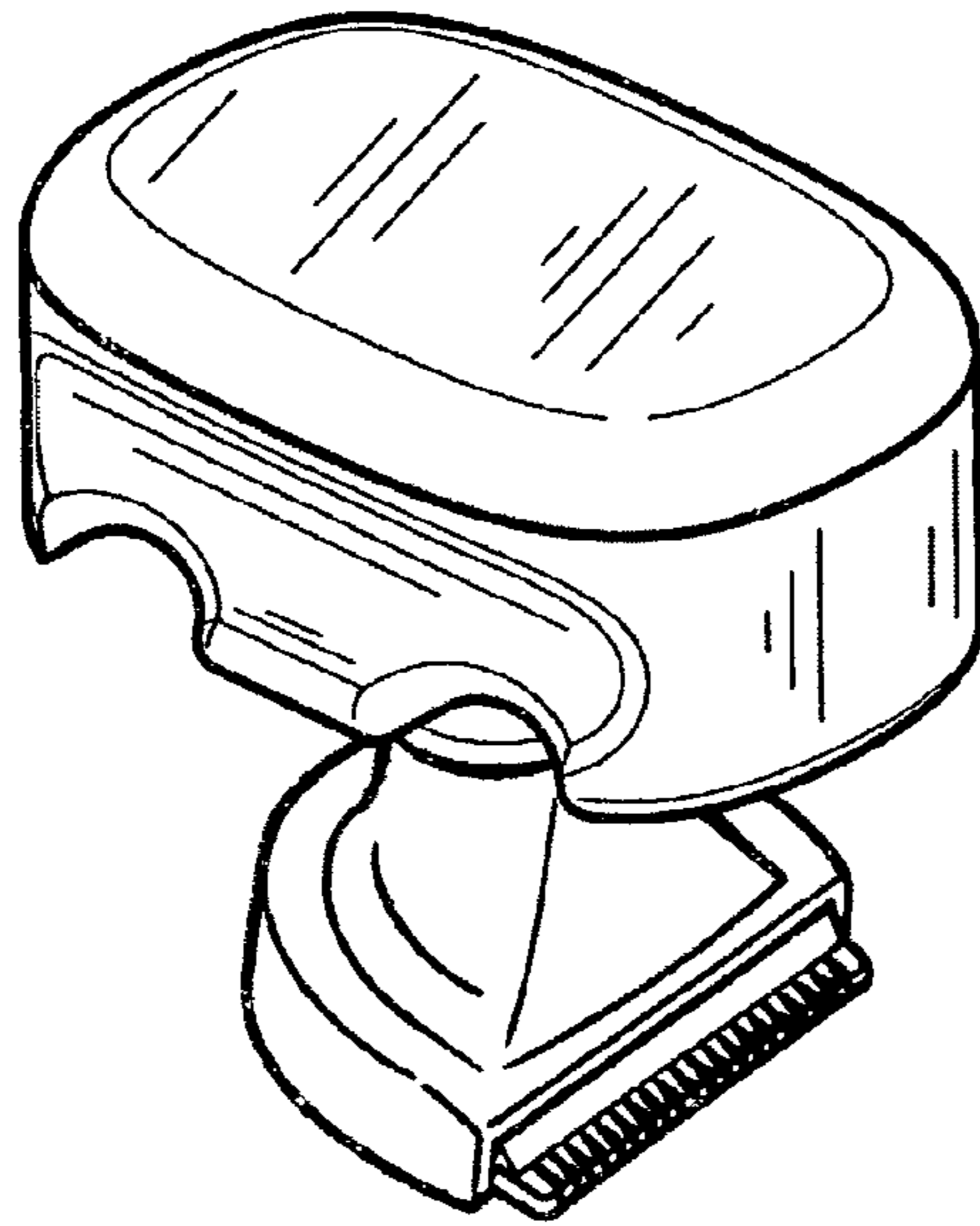


FIG. 1

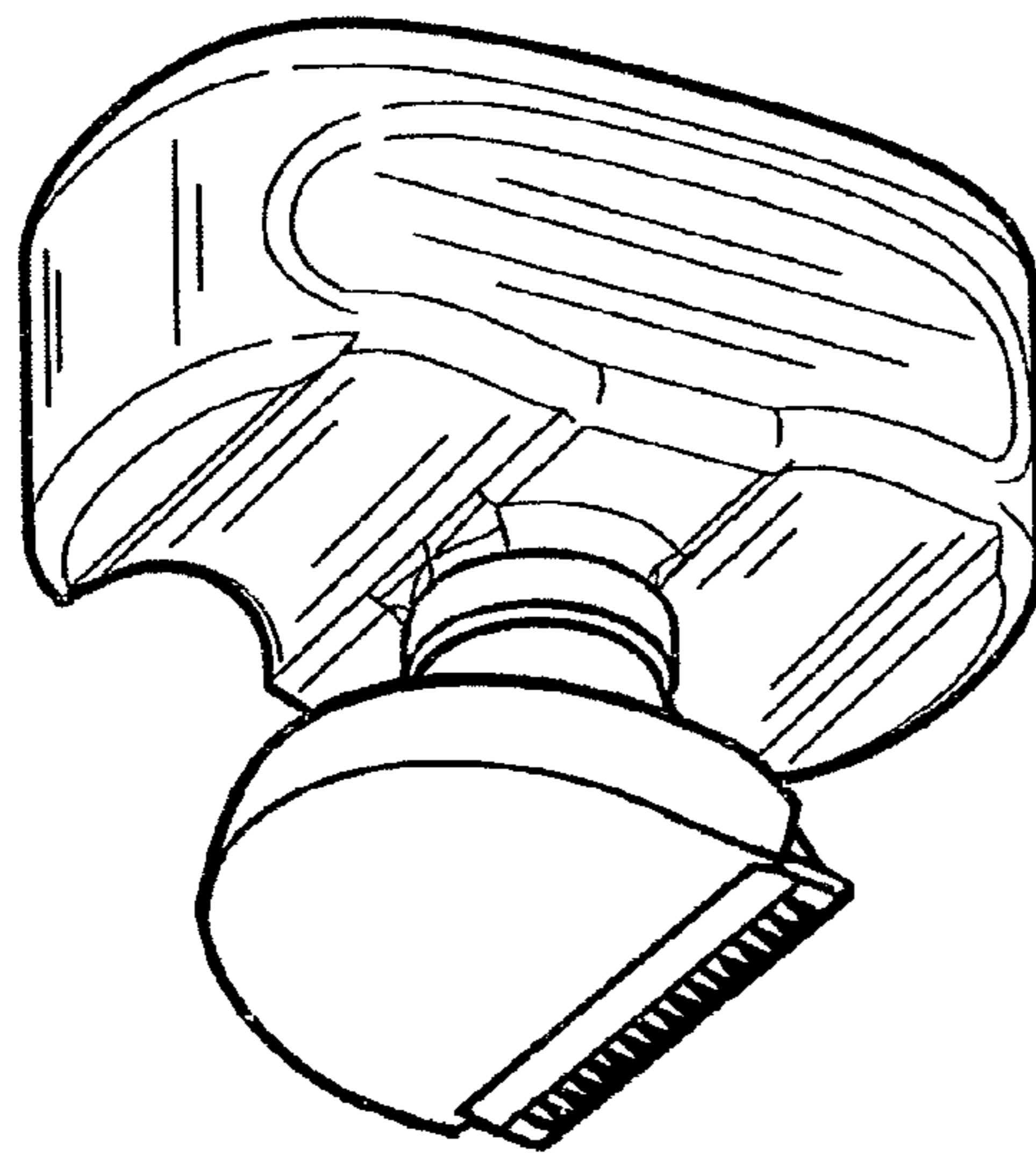


FIG. 2

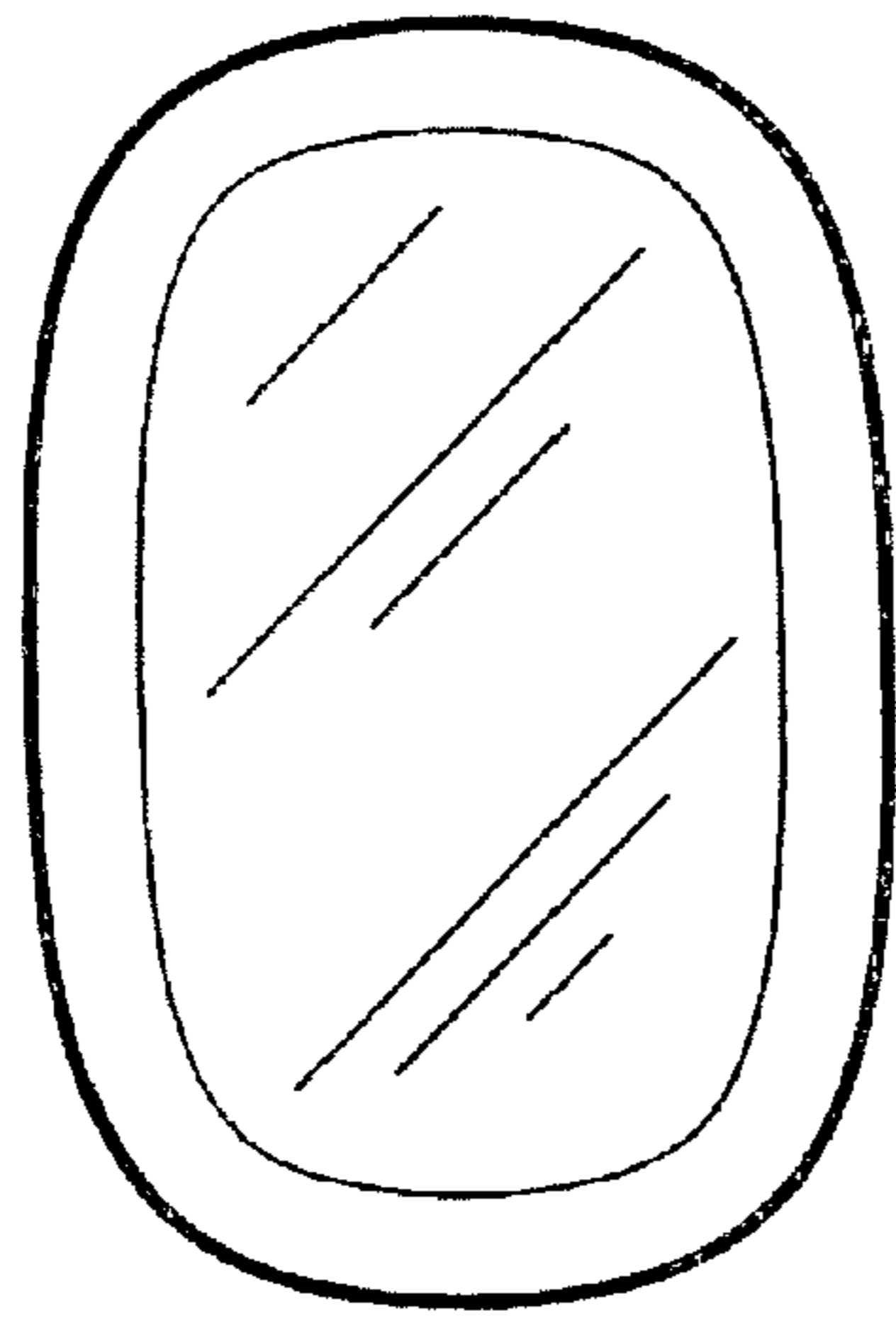


FIG. 3

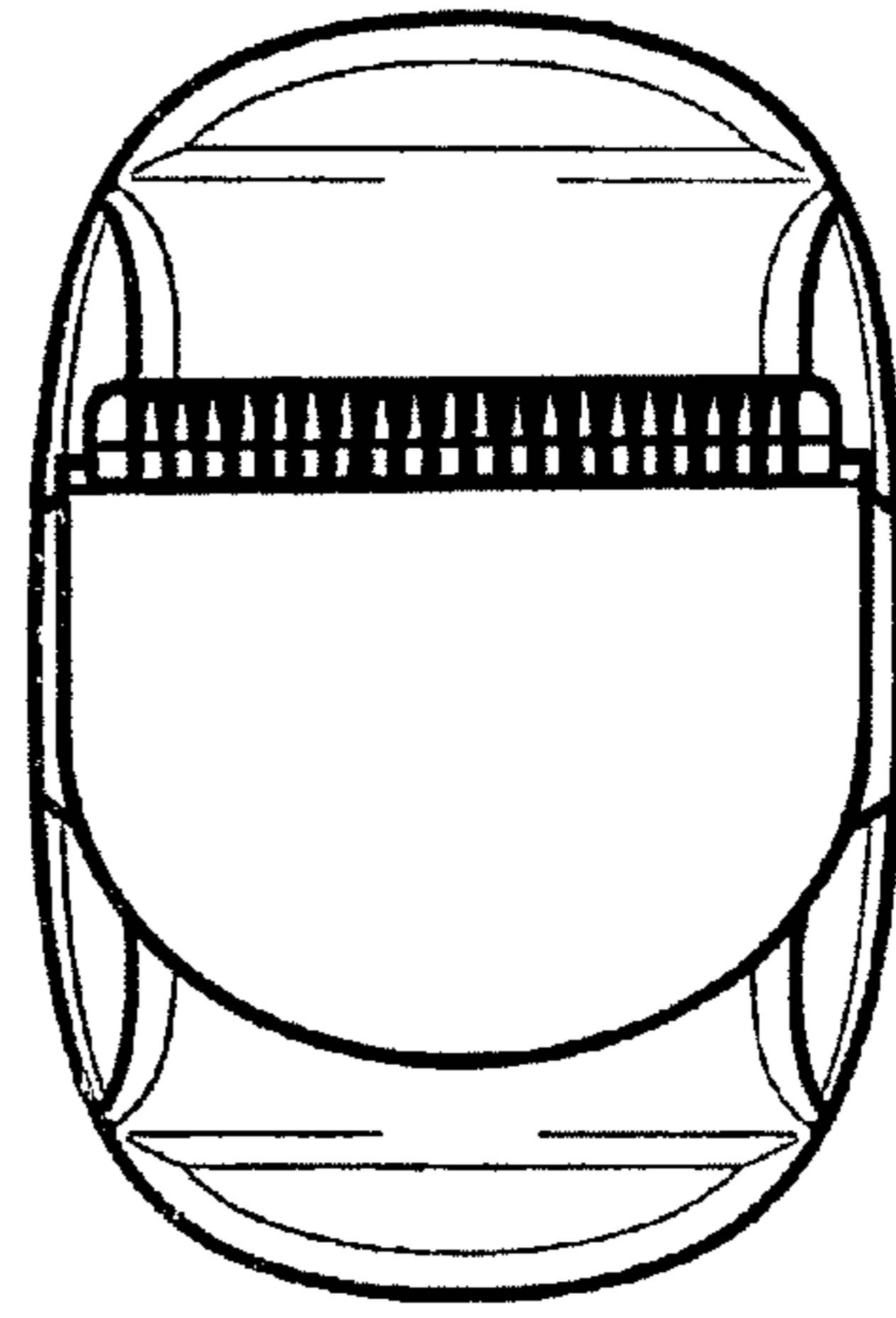


FIG. 4

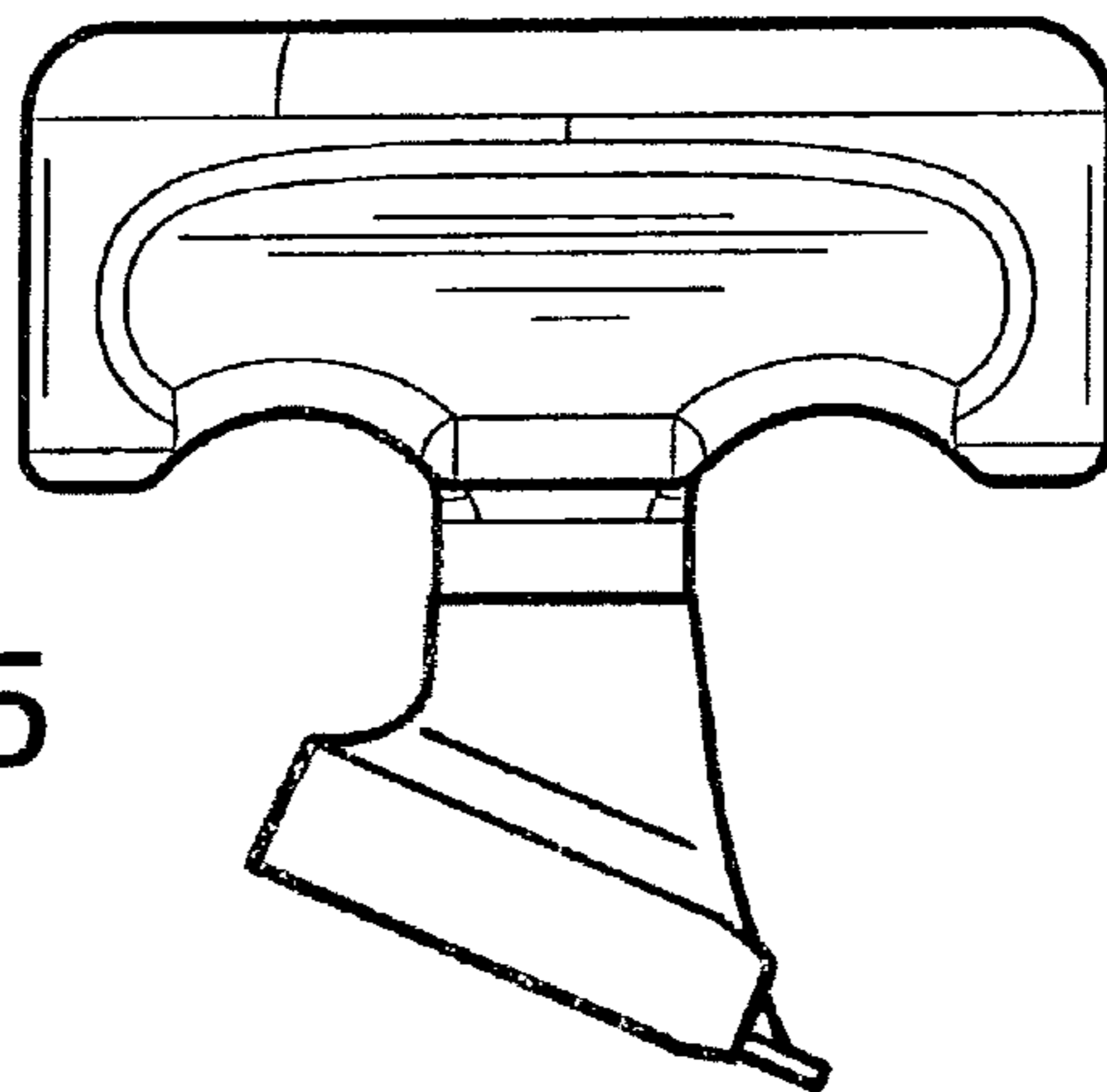


FIG. 5

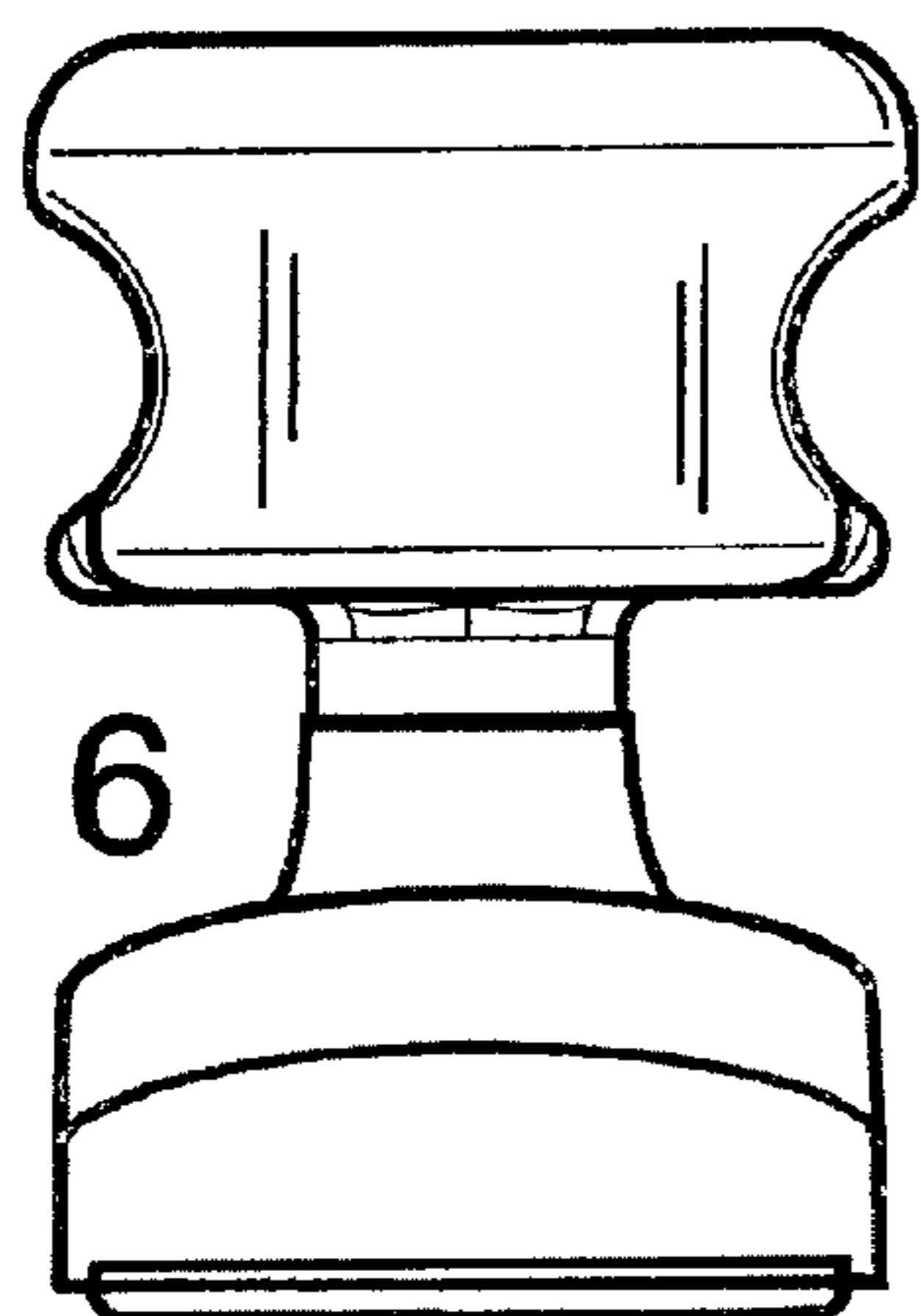


FIG. 6

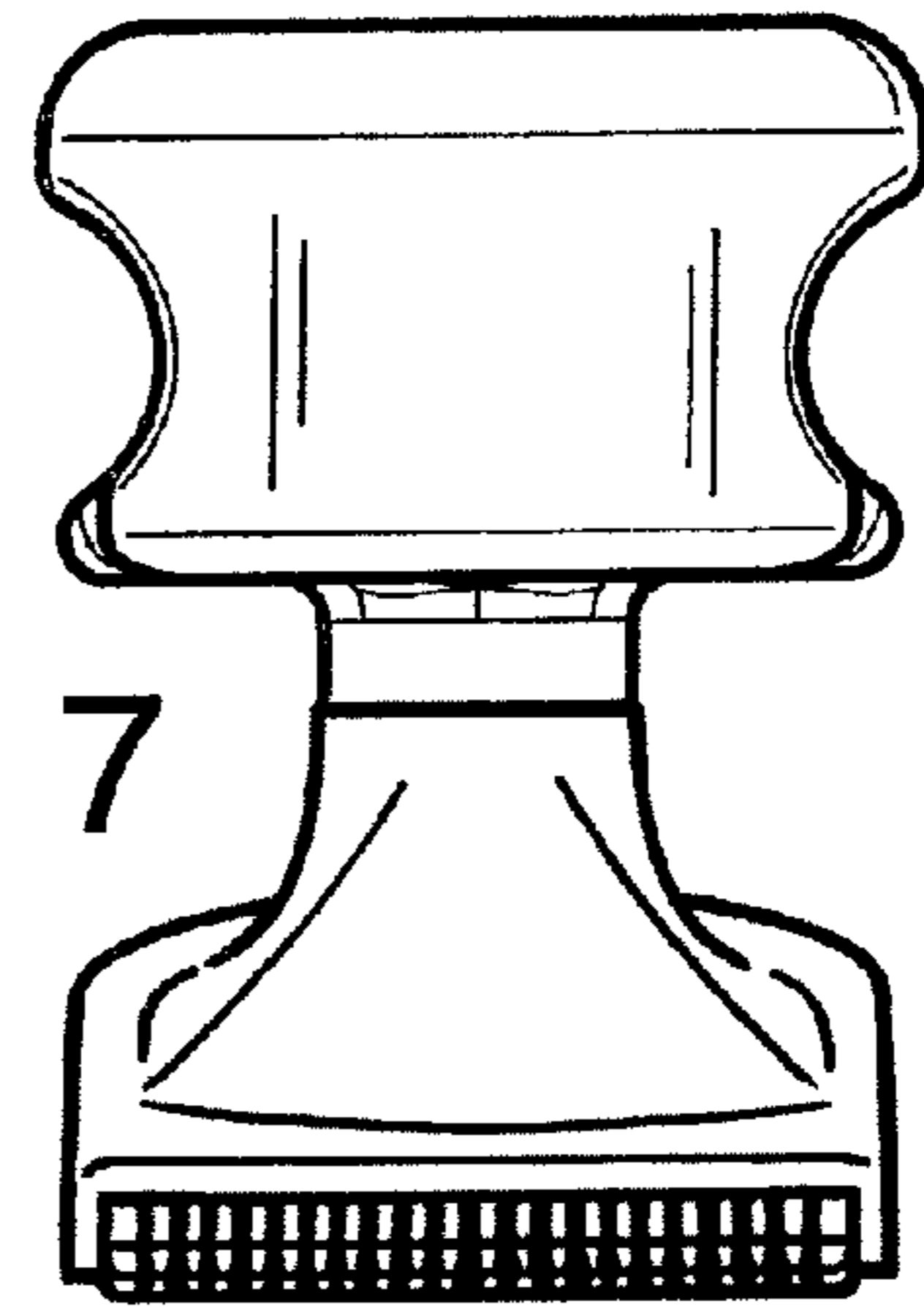


FIG. 7