



US00D717490S

(12) **United States Design Patent**
Sayers et al.

(10) **Patent No.:** **US D717,490 S**

(45) **Date of Patent:** **** Nov. 11, 2014**

(54) **HAIR DRYER**

(71) Applicant: **Jemella Group Limited**, Leeds (GB)

(72) Inventors: **Stephen Anthony Sayers**, Weston
Turville (GB); **Daniel Brady**, Old
Windsor (GB)

(73) Assignee: **Jemella Group Limited**, Leeds (GB)

(**) Term: **14 Years**

(21) Appl. No.: **29/479,451**

(22) Filed: **Jan. 16, 2014**

(30) **Foreign Application Priority Data**

Jul. 19, 2013 (EM) 002278218-0002

(51) **LOC (10) Cl.** **28-03**

(52) **U.S. Cl.**
CPC **A45D 20/12** (2013.01)
USPC **D28/13**

(58) **Field of Classification Search**
CPC A45D 20/12
USPC D28/12-19; 34/96-101; 392/380-385;
219/222

See application file for complete search history.

(56) **References Cited**

U.S. PATENT DOCUMENTS

D429,028	S	*	8/2000	Muller et al.	D28/13
D456,562	S	*	4/2002	Micinilio et al.	D28/13
D527,145	S	*	8/2006	Zimmermann	D28/13
D541,982	S	*	5/2007	Choi et al	D28/13
D605,354	S	*	12/2009	Keong	D28/13
D627,098	S	*	11/2010	Kim	D28/13
D651,341	S	*	12/2011	Schmitz	D28/13

* cited by examiner

Primary Examiner — Zenia Bennett

(74) *Attorney, Agent, or Firm* — Michael J. Brown

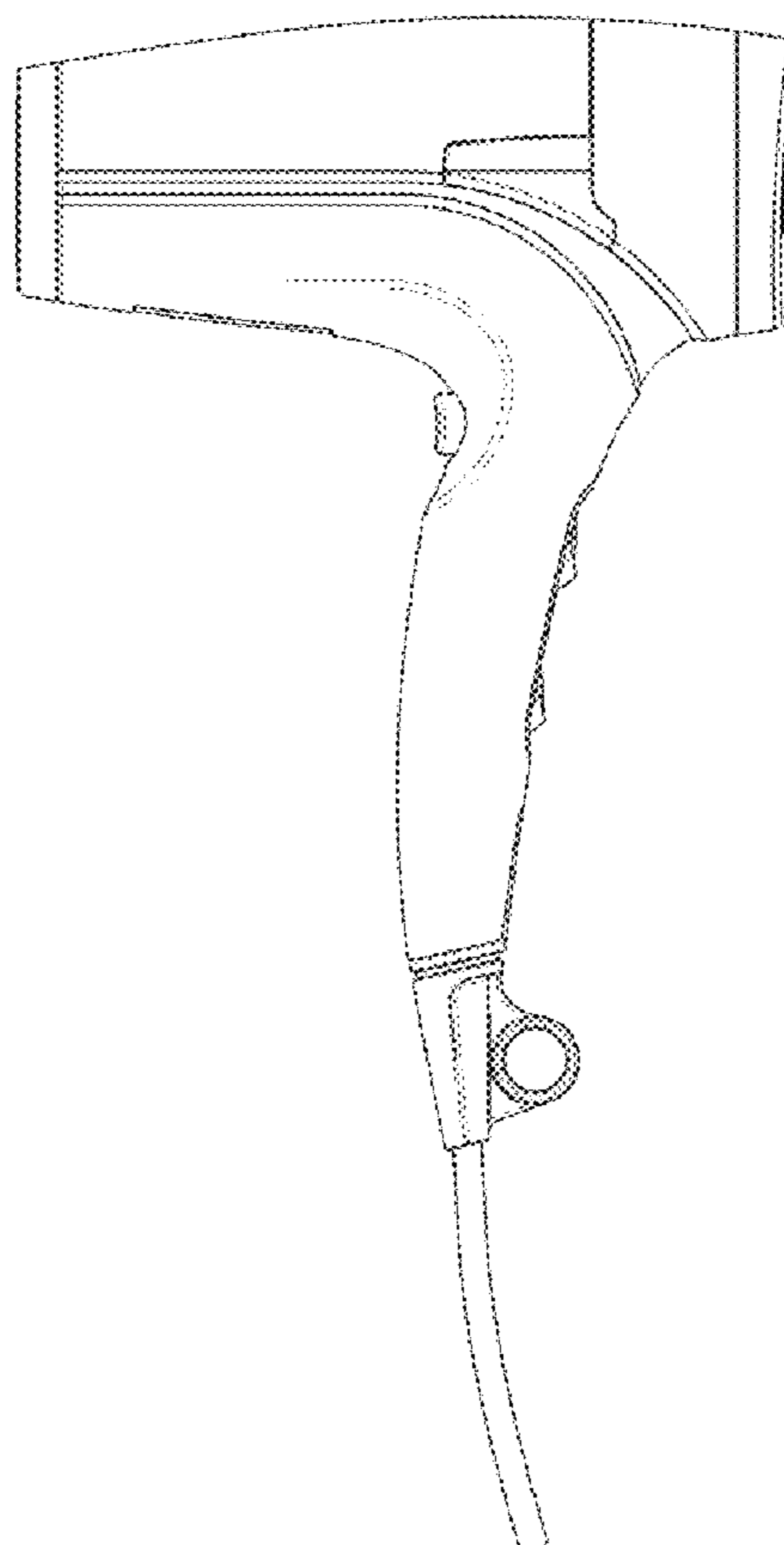
(57) **CLAIM**

The ornamental design for a hair dryer, as shown and described.

DESCRIPTION

FIG. 1 is a front perspective view of the new ornamental hair dryer of the present invention.
FIG. 2 is a left side view thereof.
FIG. 3 is a rear view thereof.
FIG. 4 is a rear perspective view thereof.
FIG. 5 is a right side view thereof.
FIG. 6 is a front view thereof.
FIG. 7 is a top view thereof; and,
FIG. 8 is a bottom view thereof.

1 Claim, 8 Drawing Sheets



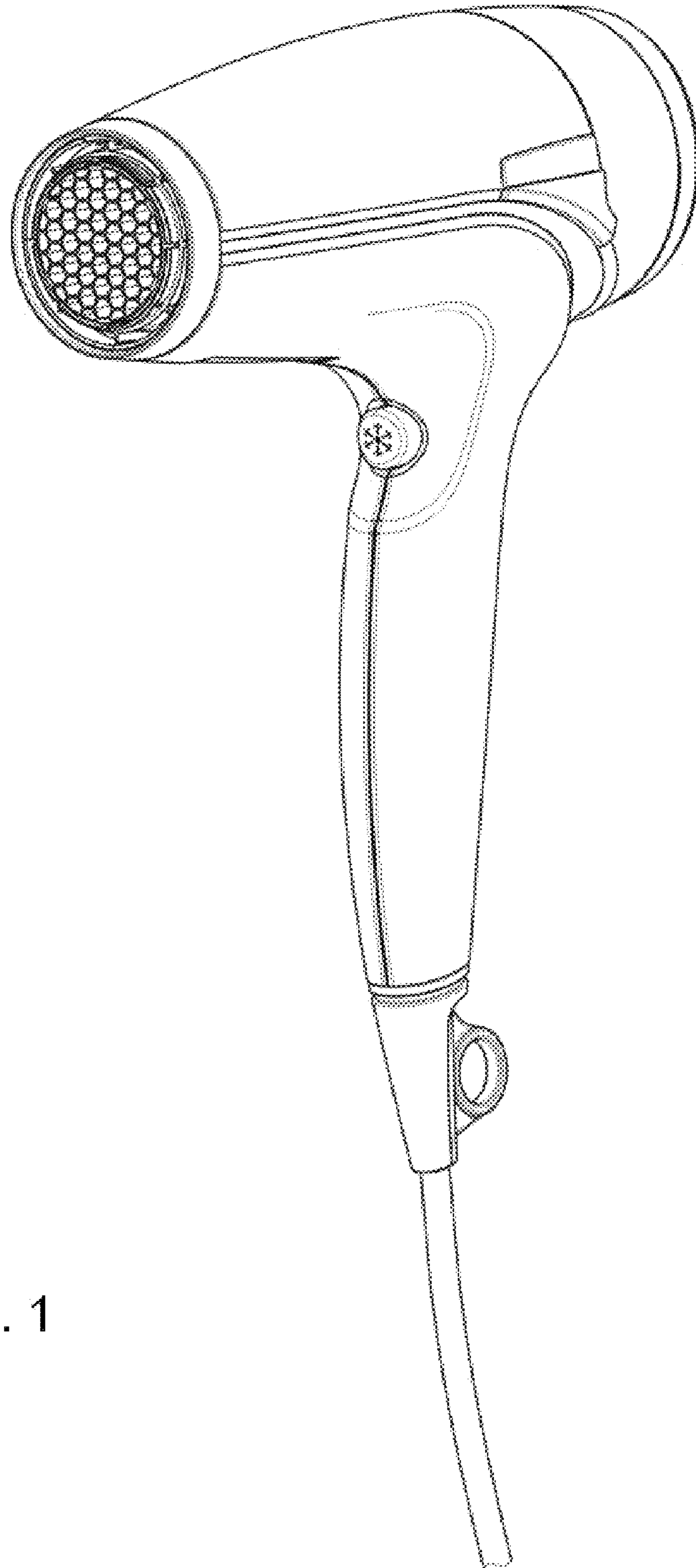


Fig. 1

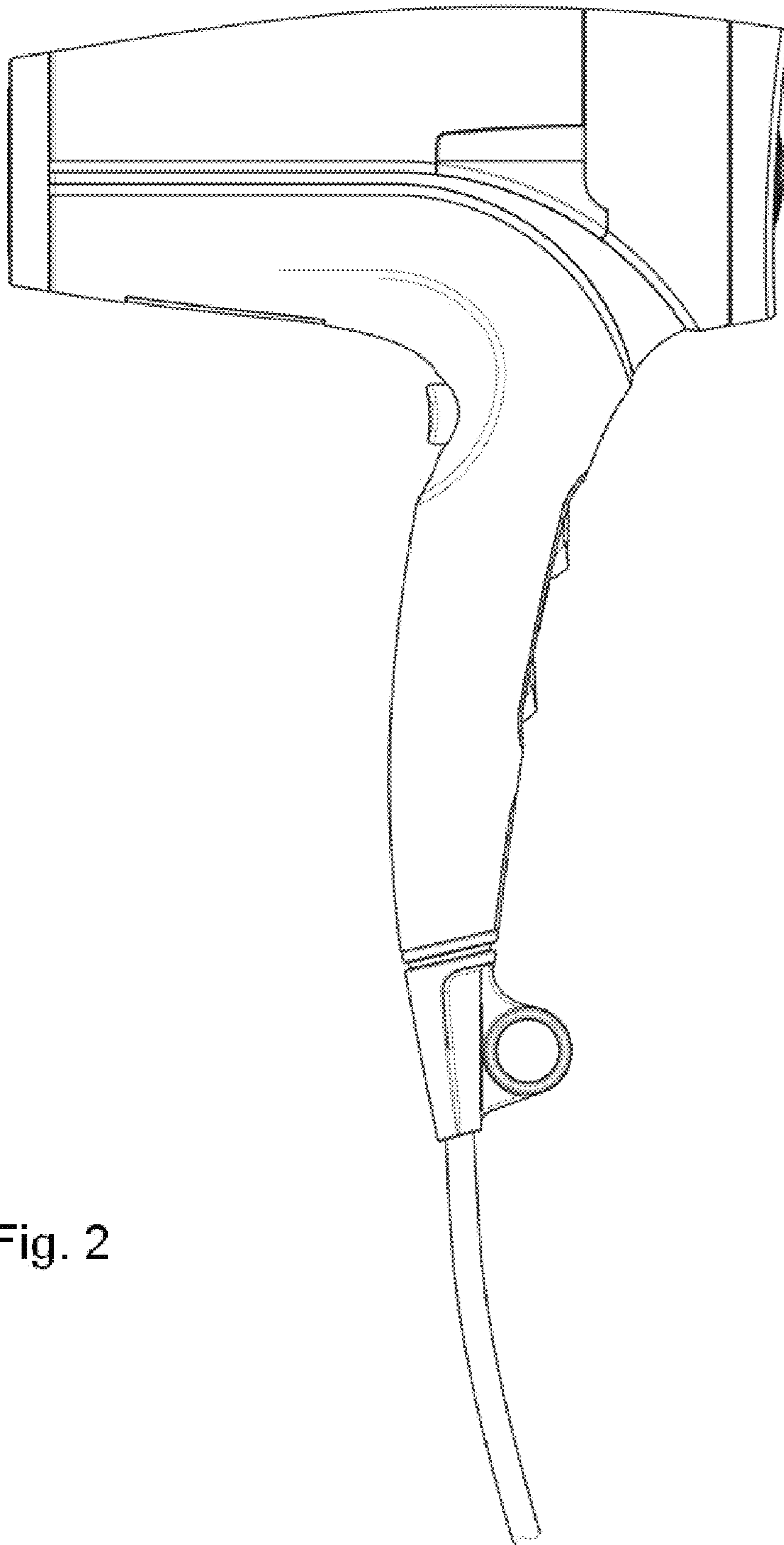


Fig. 2

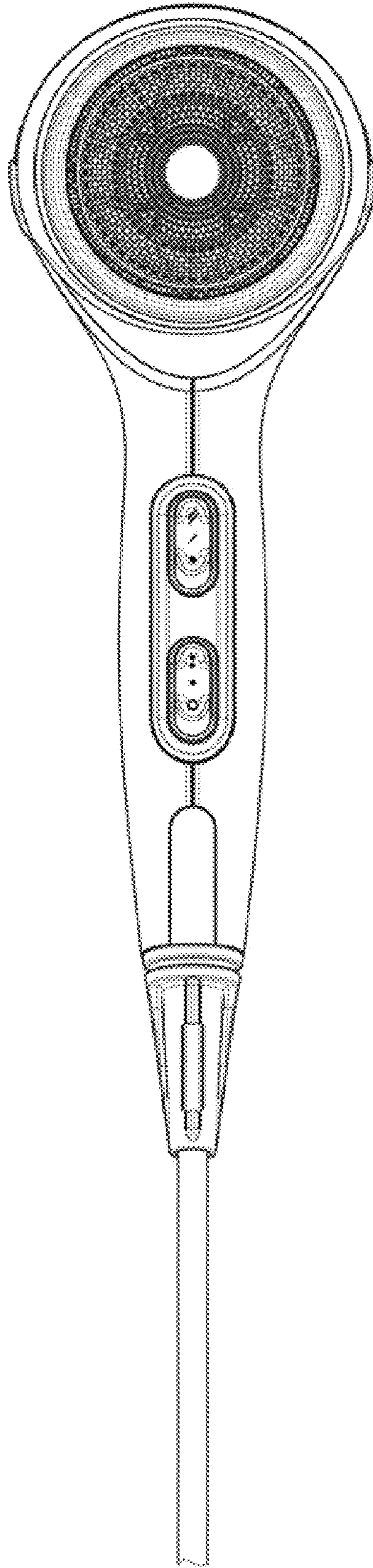


Fig. 3

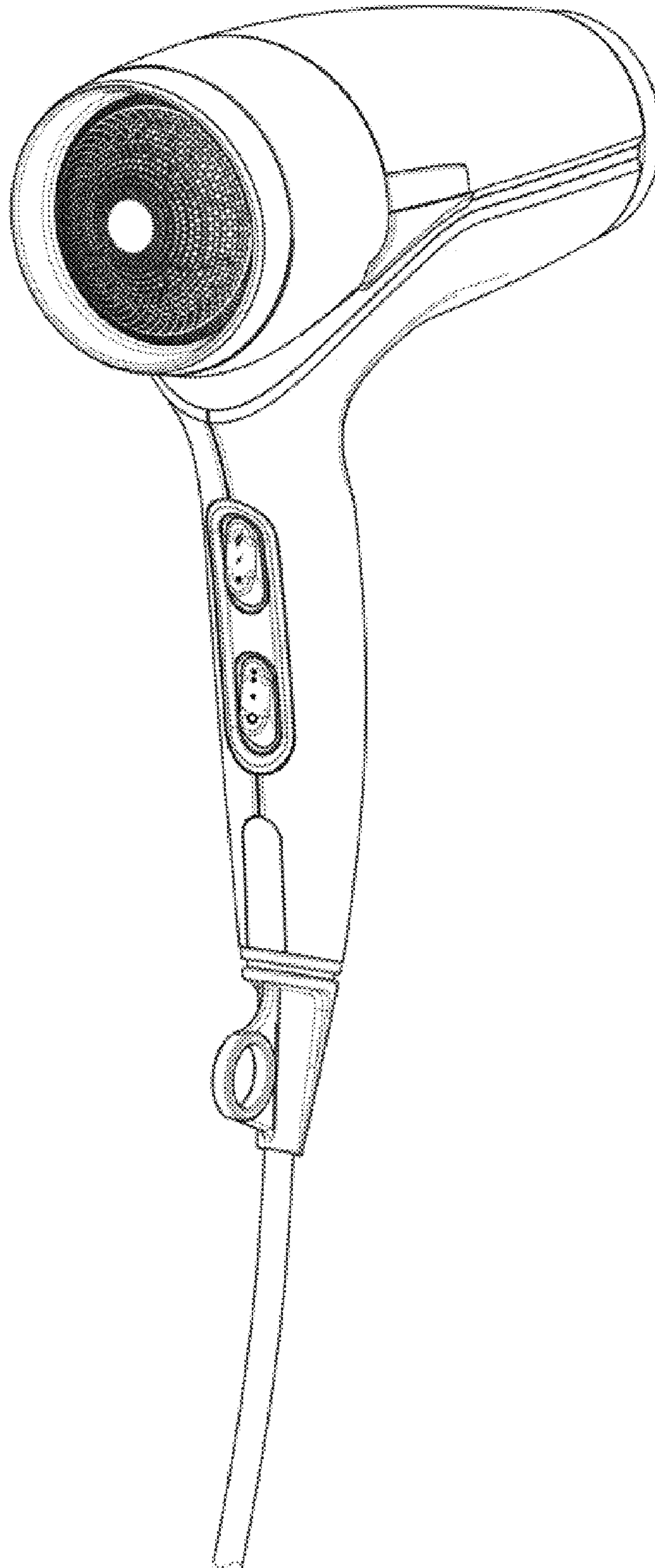


Fig. 4

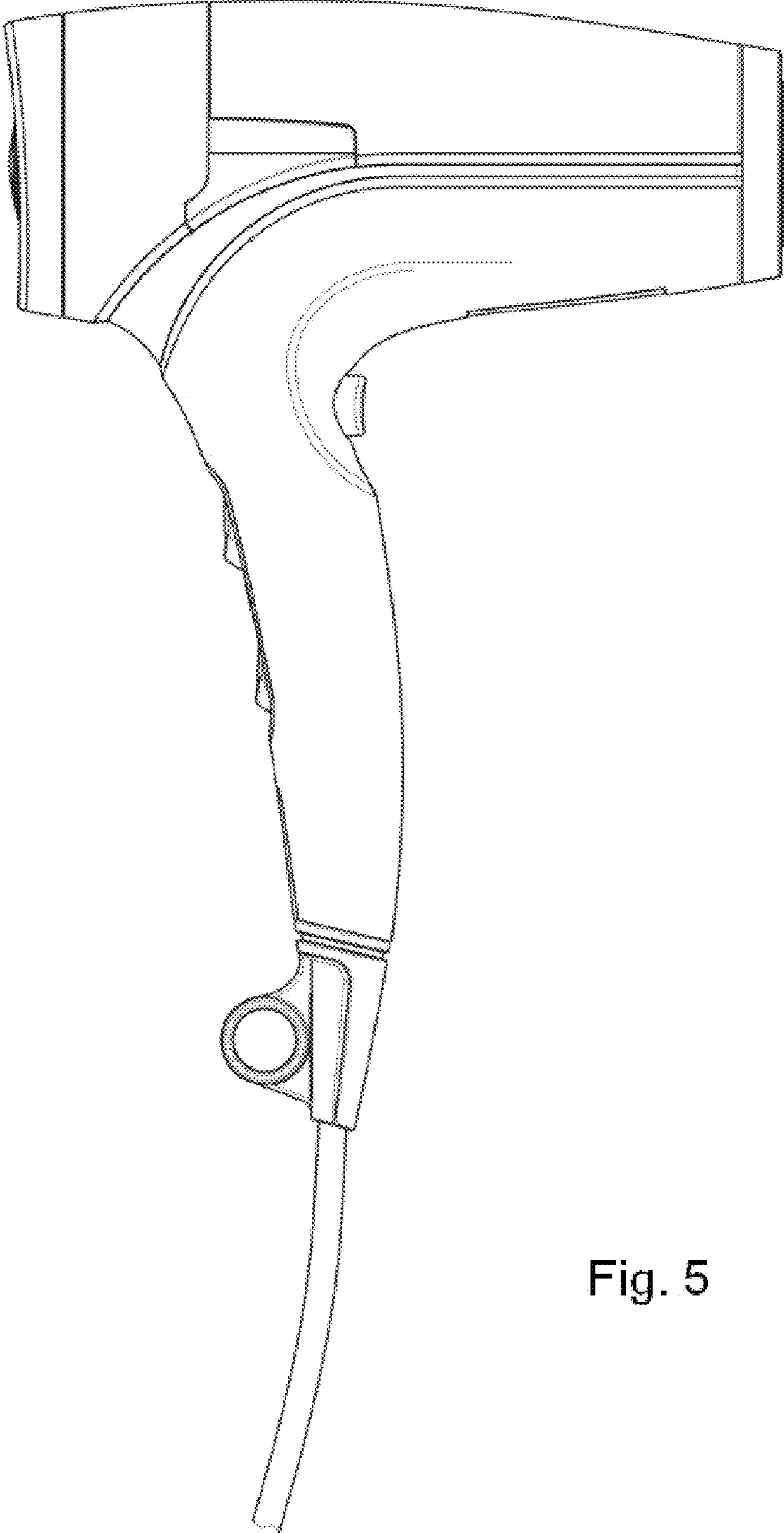


Fig. 5

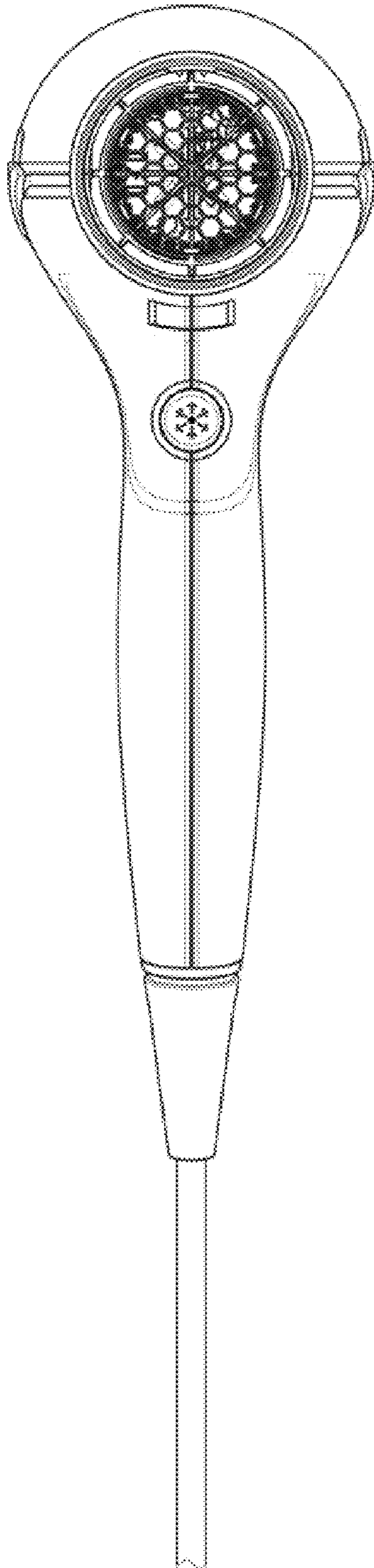


Fig. 6

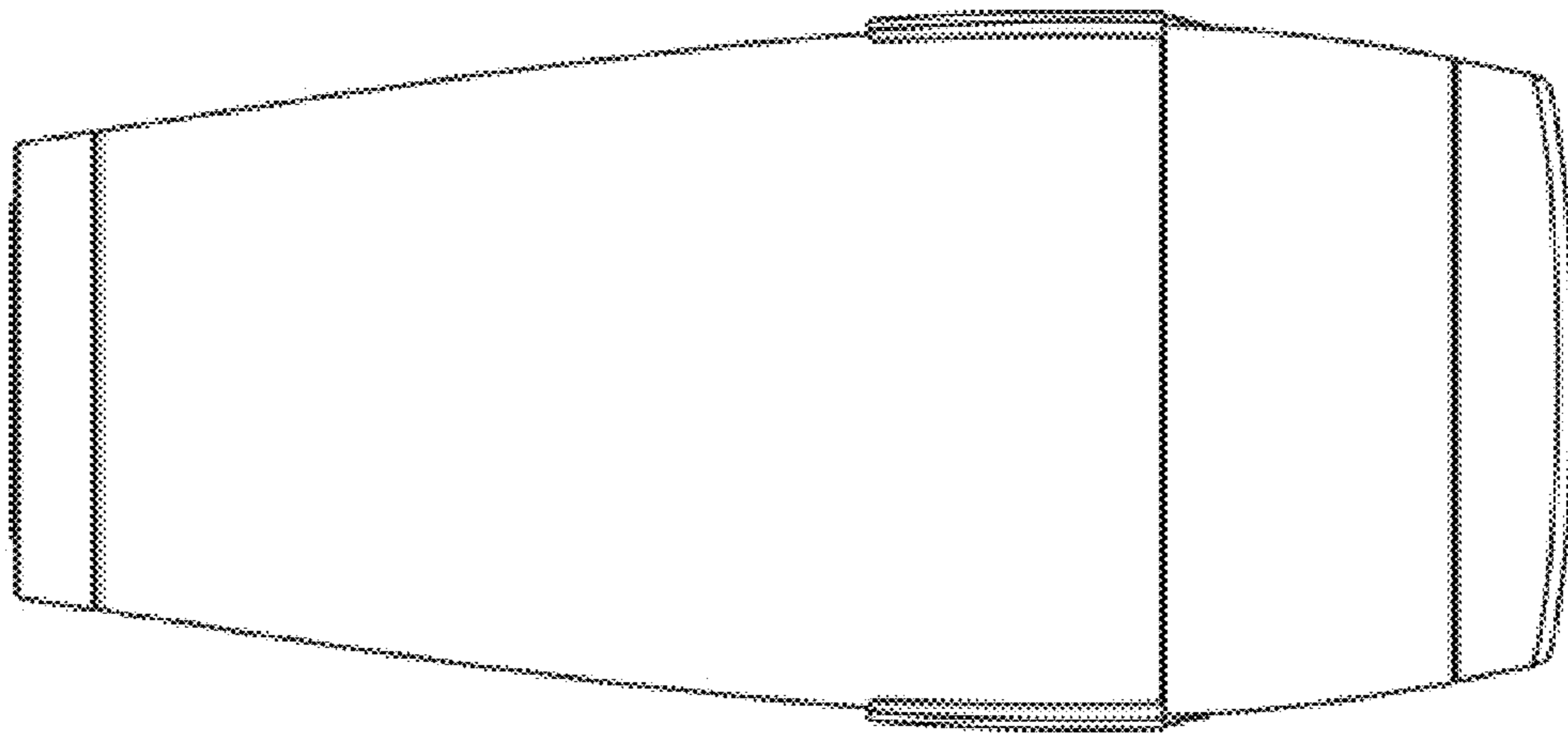


Fig. 7

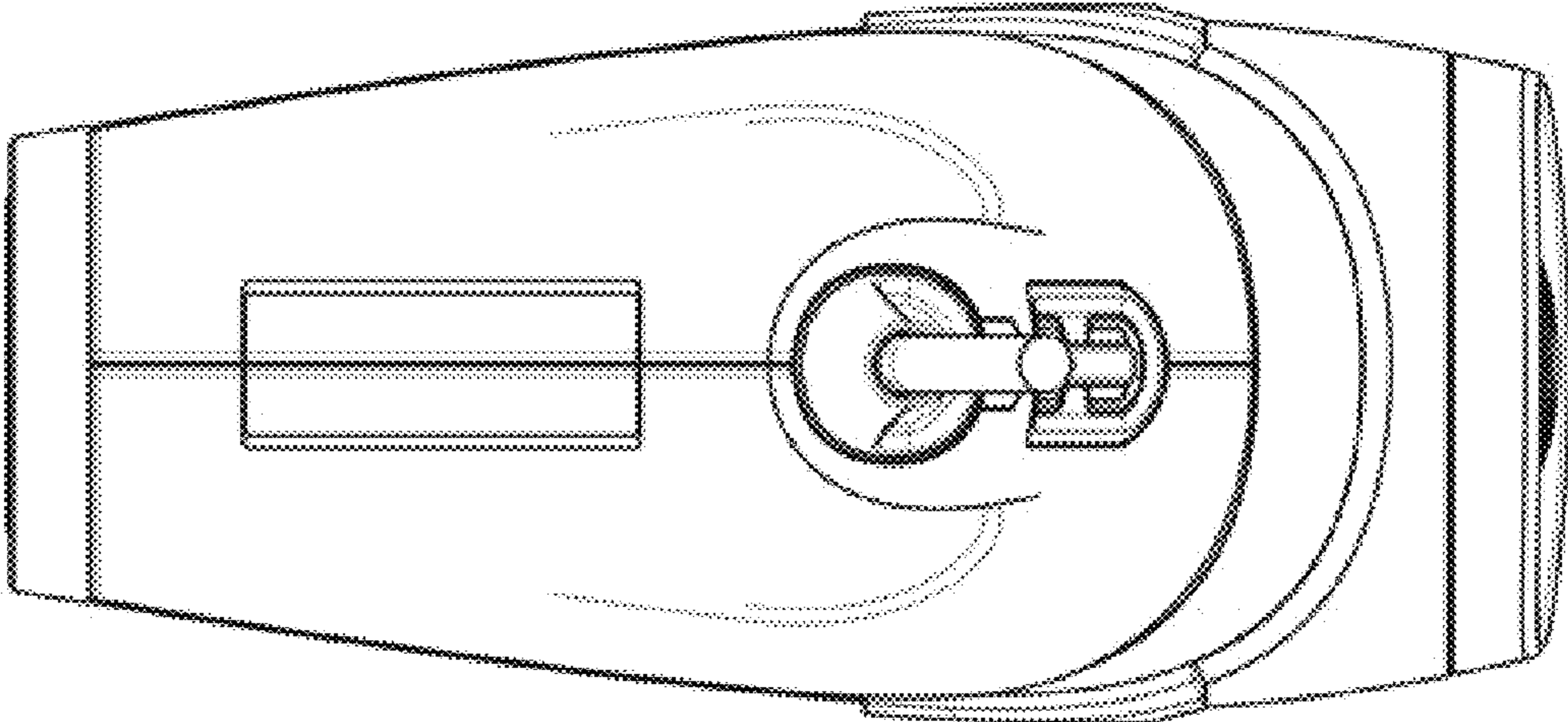


Fig. 8