



US00D717488S

(12) **United States Design Patent**
Martin

(10) **Patent No.:** **US D717,488 S**

(45) **Date of Patent:** **** Nov. 11, 2014**

(54) **LIGHTER**

(75) Inventor: **Stéphane Martin**, Paris (FR)

(73) Assignee: **S. T. Dupont**, Paris (FR)

(**) Term: **14 Years**

(21) Appl. No.: **29/430,397**

(22) Filed: **Aug. 24, 2012**

(30) **Foreign Application Priority Data**

Feb. 27, 2012 (EM) 001998444-0001

(51) **LOC (10) Cl.** **27-05**

(52) **U.S. Cl.**
USPC **D27/141**

(58) **Field of Classification Search**

CPC B65D 85/1045; B65D 85/136; B65D
5/6691; B65D 85/10; A24F 13/14; A24F
15/12

USPC D13/107-110, 118-119, 184, 199;
D14/217, 251, 253, 432, 434;
320/107-115; D27/172, 183, 184,
D27/186-191, 193; 206/236, 242, 259,
206/261-270; D9/432, 745, 770

See application file for complete search history.

(56) **References Cited**

U.S. PATENT DOCUMENTS

D361,978 S *	9/1995	Shirai et al.	D13/103
D538,972 S *	3/2007	Smith	D27/157
D553,792 S *	10/2007	Smith	D27/143
D576,351 S *	9/2008	Smith	D27/157
D605,350 S *	12/2009	Smith	D27/154
D617,042 S *	6/2010	Wong	D27/139
D622,902 S *	8/2010	An	D27/154
D665,345 S *	8/2012	Degn	D13/107
D681,875 S *	5/2013	Park	D27/141
D693,297 S *	11/2013	Inskeep	D13/108

* cited by examiner

Primary Examiner — Barbara Fox

Assistant Examiner — Chelsea Sealey

(74) *Attorney, Agent, or Firm* — Young & Thompson

(57) **CLAIM**

The ornamental design for a lighter, as shown and described.

DESCRIPTION

FIG. 1 is a front, right side, and top perspective view of a lighter showing the new design;

FIG. 2 is a front elevation view thereof;

FIG. 3 is a rear elevation view thereof;

FIG. 4 is a right side elevation view thereof;

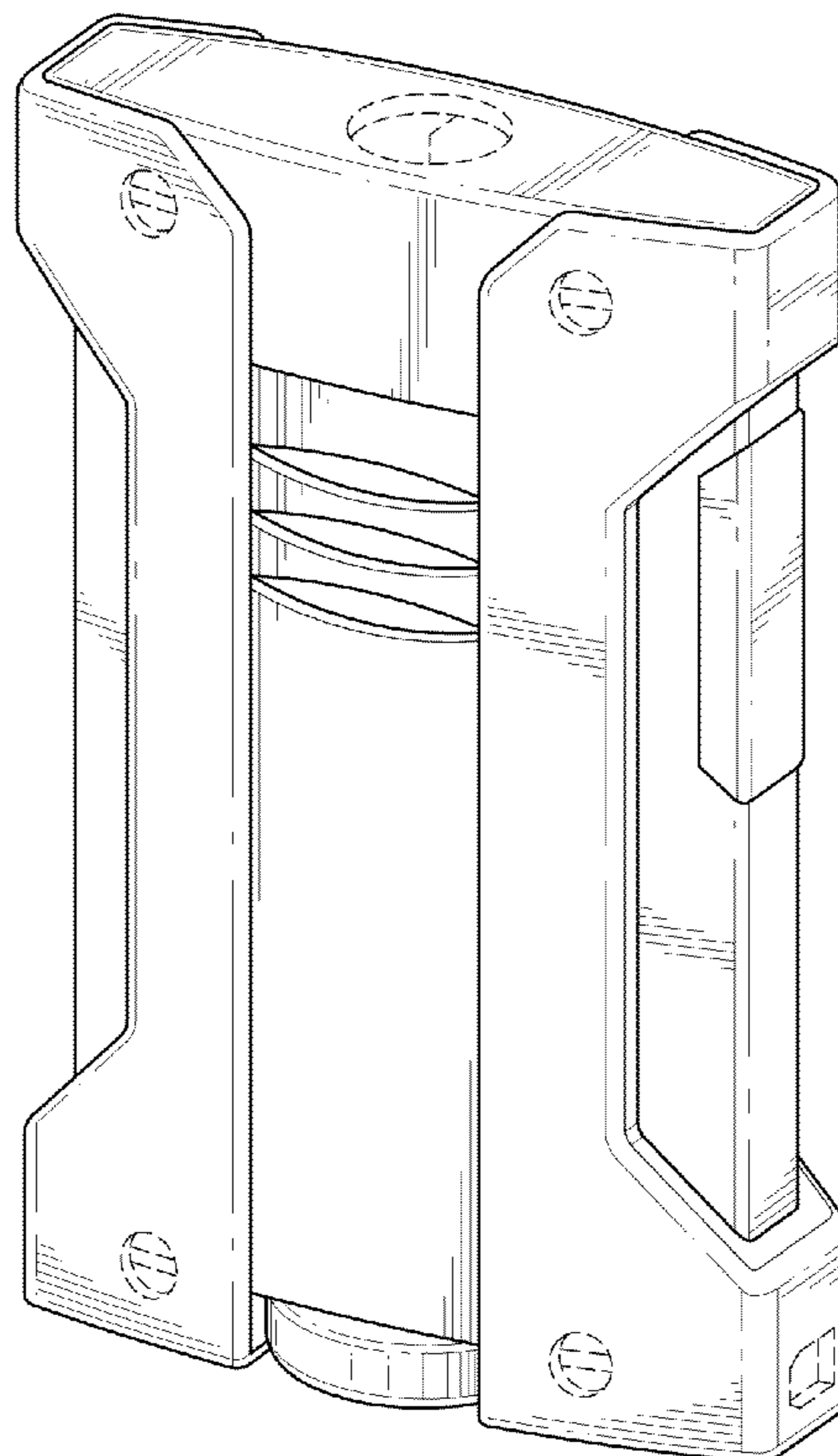
FIG. 5 is a left side elevation view thereof;

FIG. 6 is a top plan view thereof; and,

FIG. 7 is a bottom plan view thereof.

The broken lines shown in the drawings represent portions of the lighter which form no part of the claimed design.

1 Claim, 4 Drawing Sheets



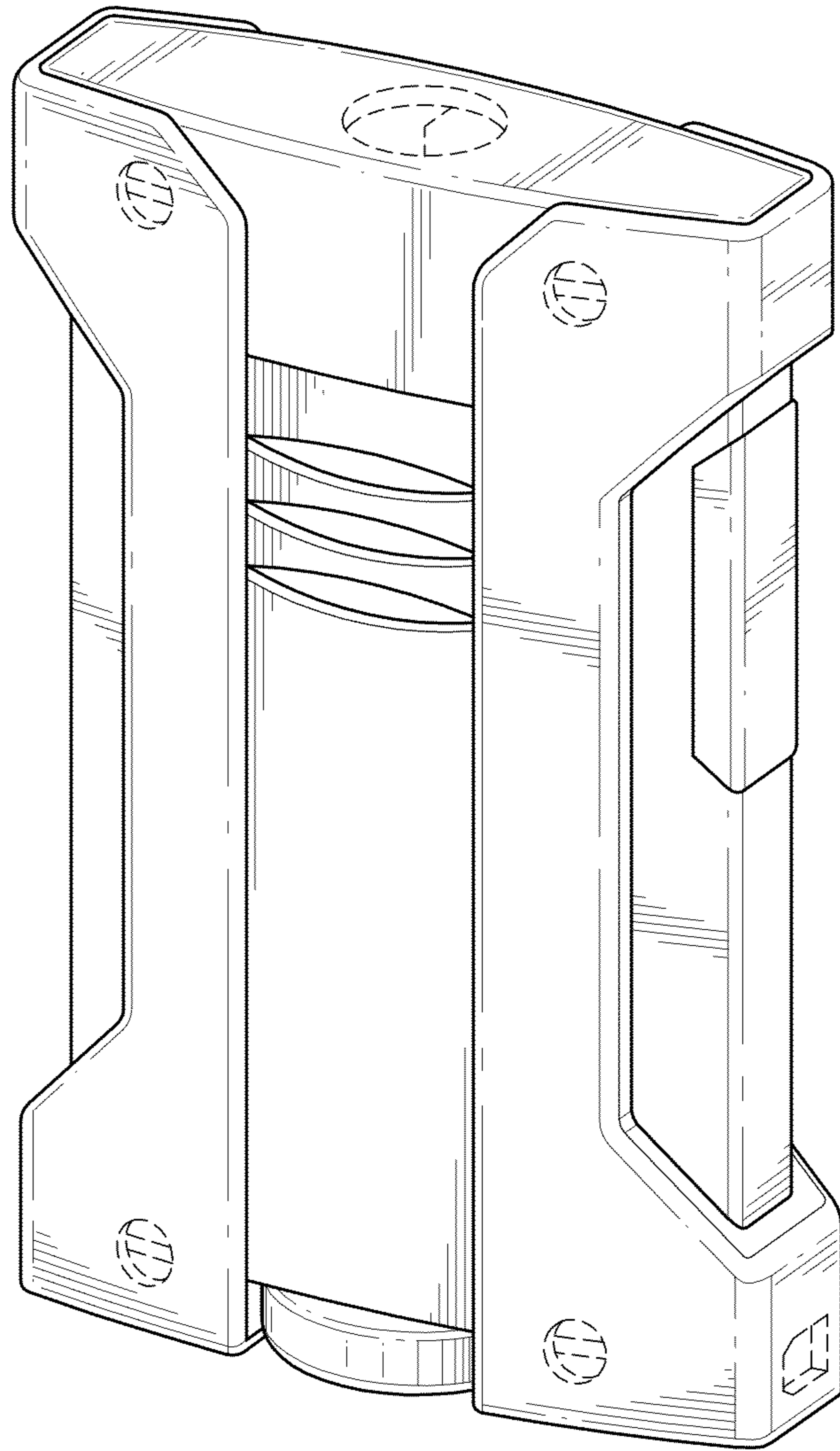


FIG. 1

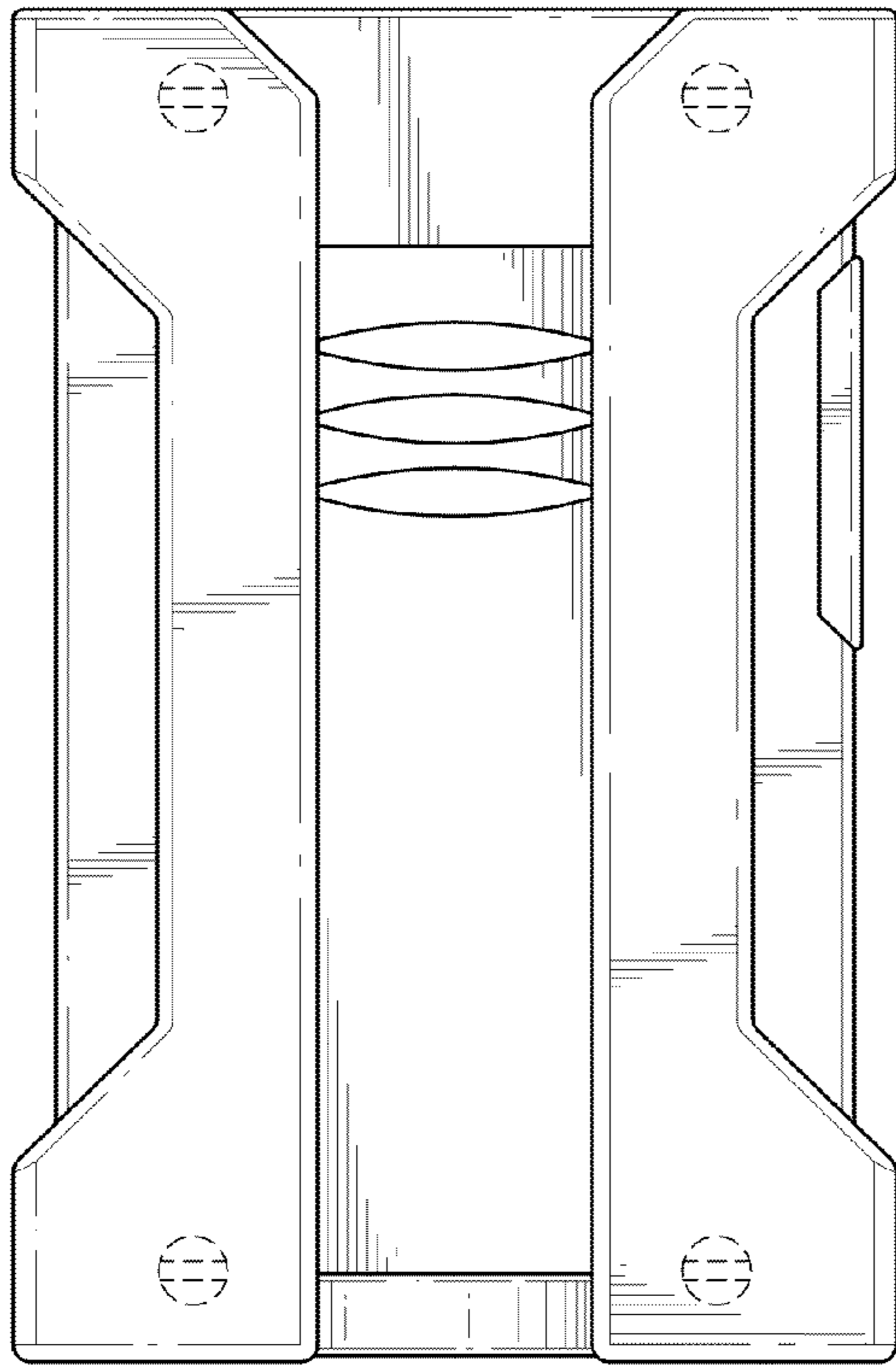


FIG. 2

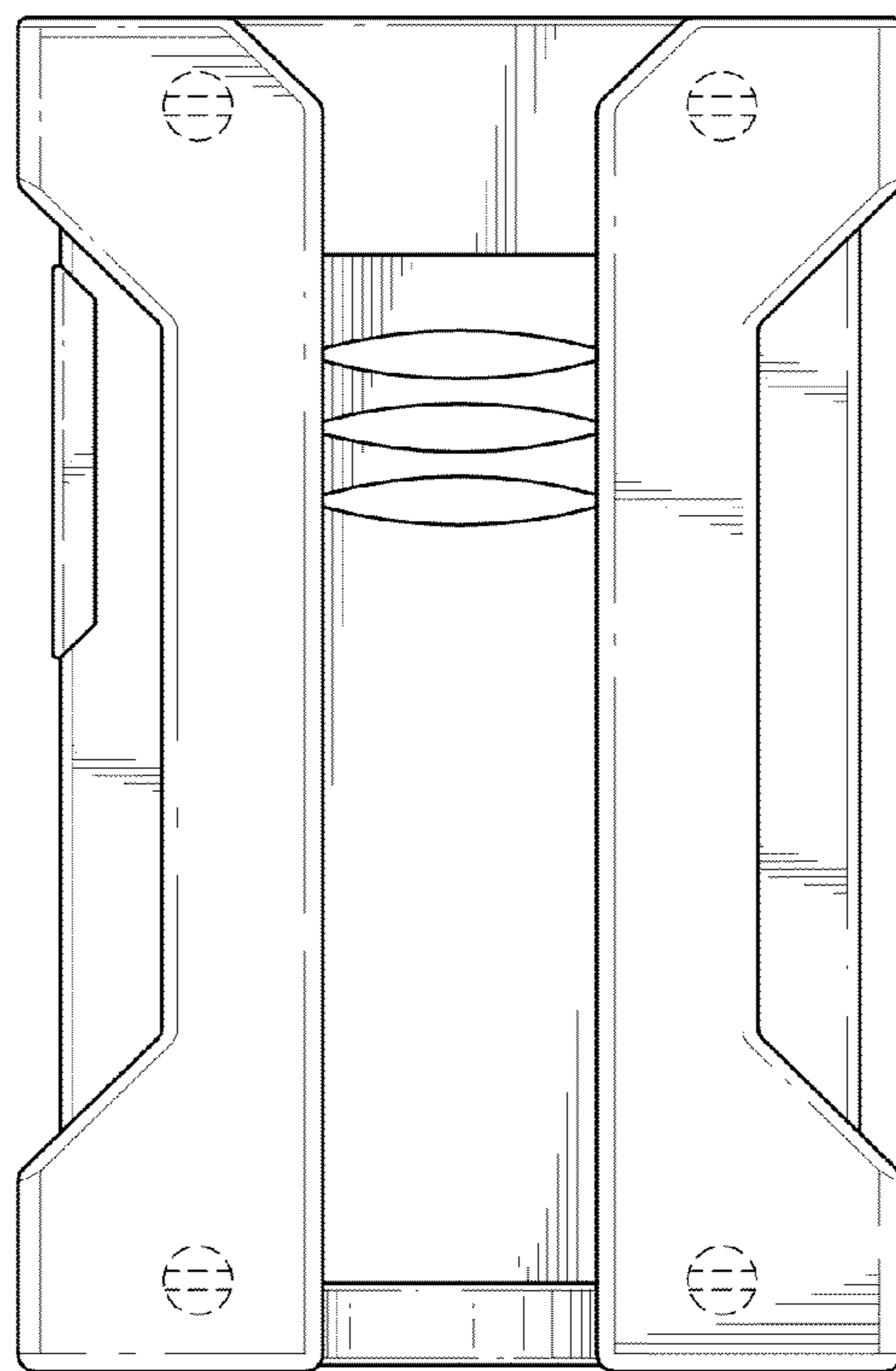


FIG. 3

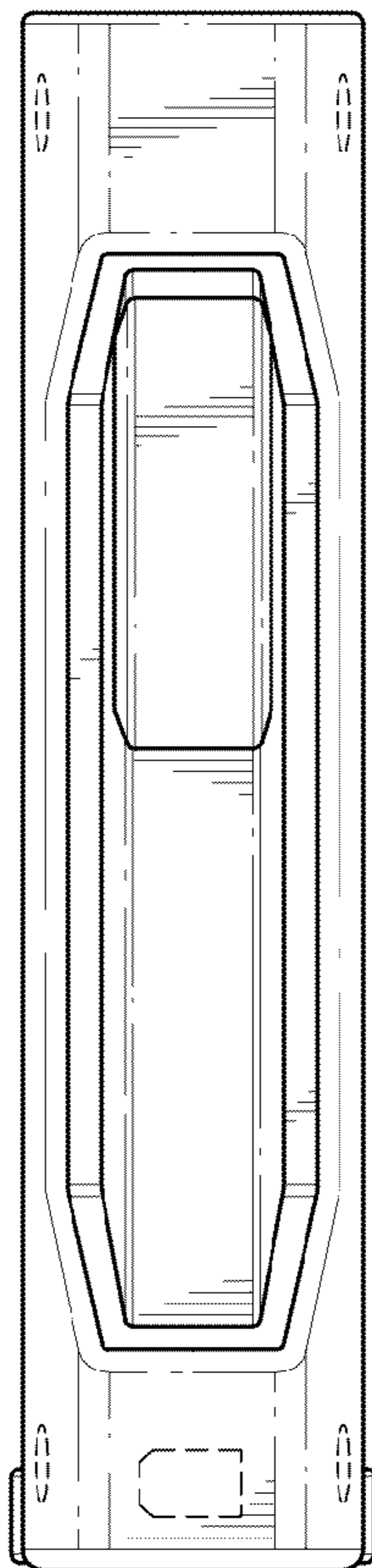


FIG. 4

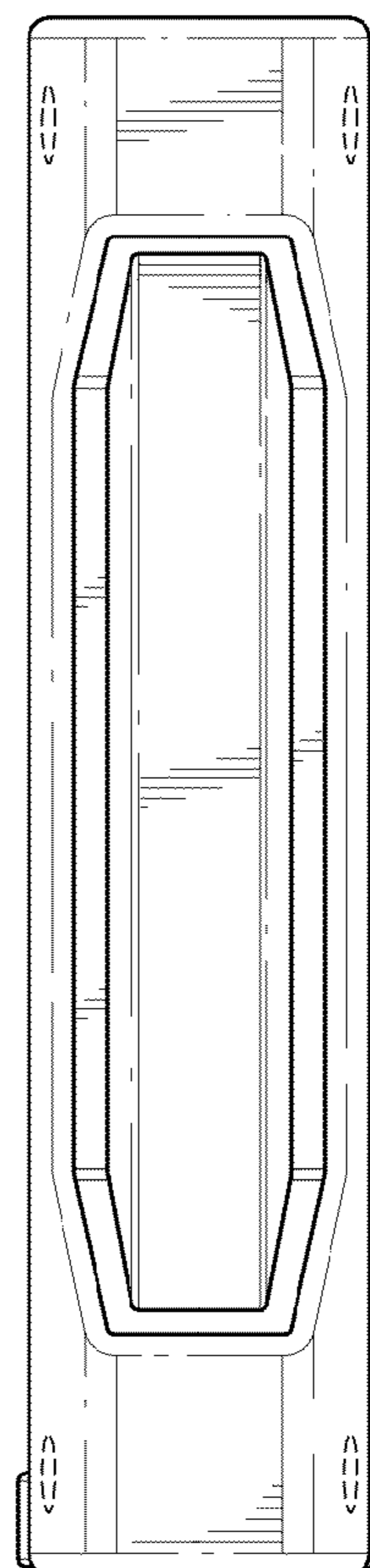


FIG. 5

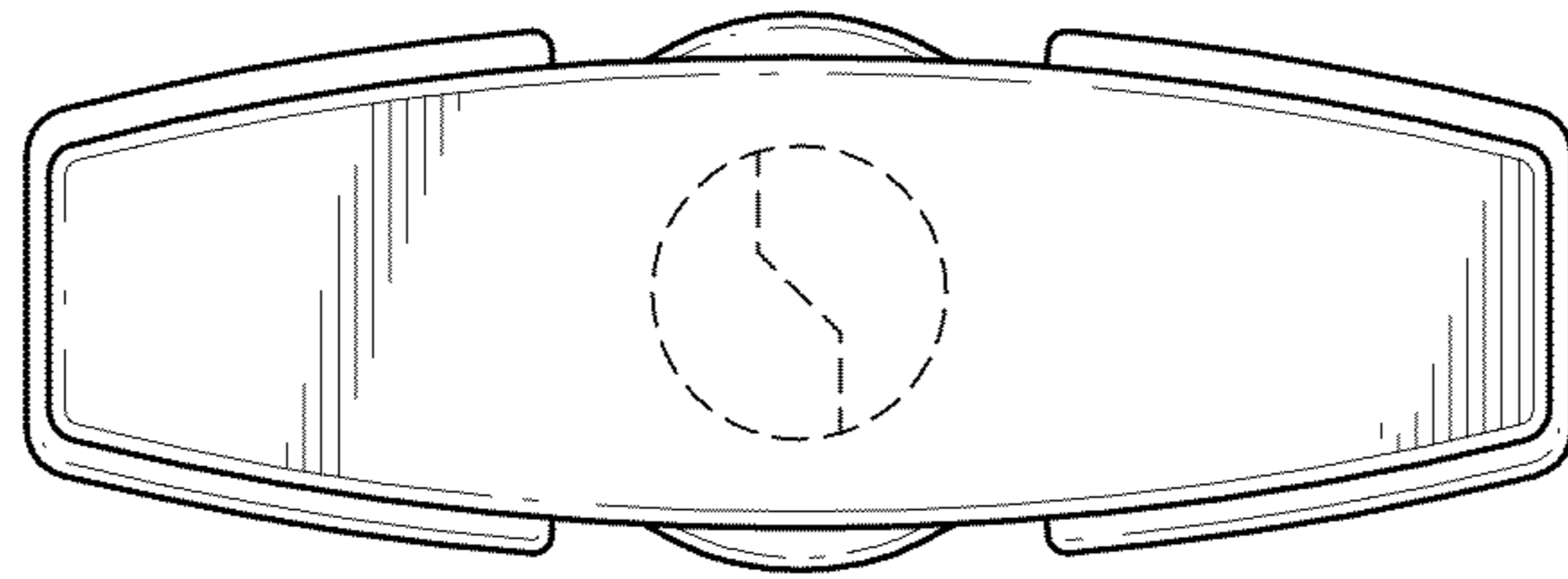


FIG. 6

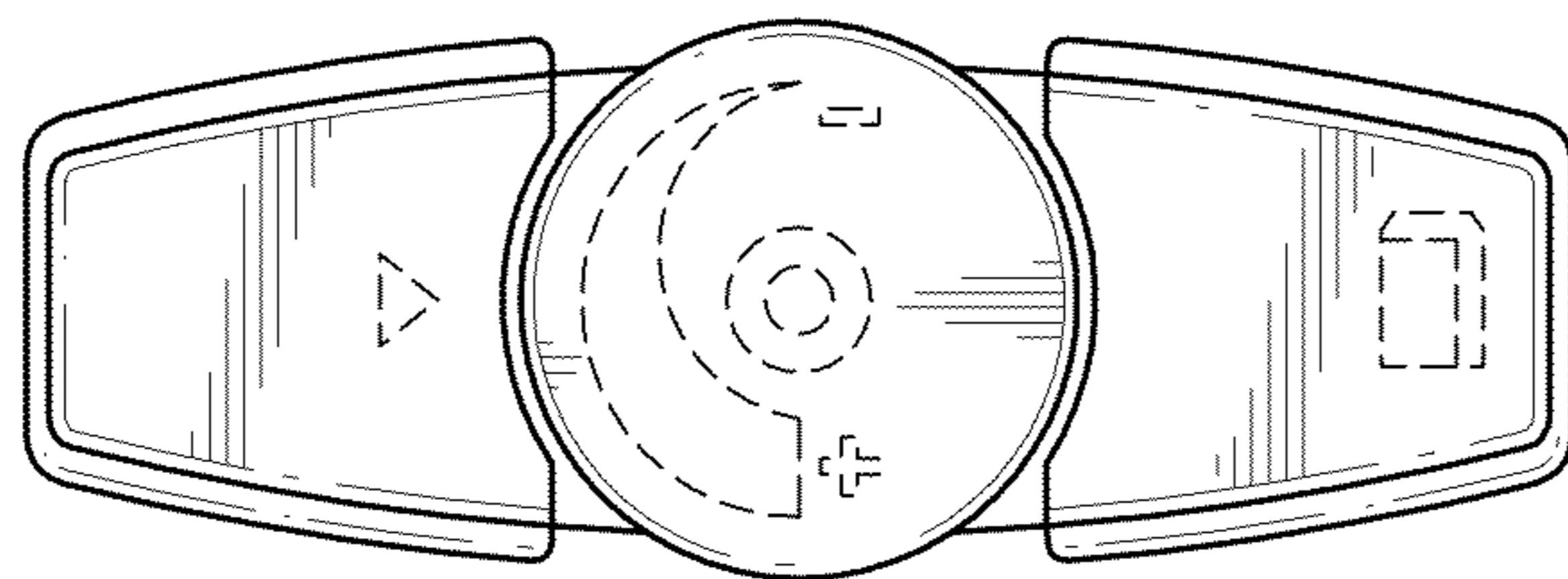


FIG. 7