



US00D717487S

(12) **United States Design Patent**
Guzzini

(10) **Patent No.:** **US D717,487 S**

(45) **Date of Patent:** **** Nov. 11, 2014**

(54) **LIGHT FIXTURE OPTIC ELEMENT**

(71) Applicant: **Iguzzini Illuminazione S.p.A.**, Recanati (IT)

(72) Inventor: **Adolfo Guzzini**, Recanati (IT)

(73) Assignee: **Iguzzini Illuminazione S.p.A.**, Recanati (IT)

(**) Term: **14 Years**

(21) Appl. No.: **29/461,335**

(22) Filed: **Jul. 22, 2013**

(30) **Foreign Application Priority Data**

Jan. 22, 2013 (IT) 002170563-0001

(51) **LOC (10) Cl.** **26-99**

(52) **U.S. Cl.**
USPC **D26/118**

(58) **Field of Classification Search**
USPC D26/24, 26, 51, 56, 57, 61, 72-91,
D26/92-102, 105, 108, 109, 113, 118, 119,
D26/137, 204; 362/3, 11, 12, 16, 145,
362/147-150, 217.01-217.12, 257, 265,
362/291, 294, 296.01, 296.09, 297, 308,
362/317, 327, 328, 335, 362-368, 373, 404,
362/407, 412, 416, 455, 558, 563, 564, 576,
362/640-644, 805-809, 811; D14/172,
D14/184, 195, 204; D11/131, 142-144,
D11/152-154; 52/28

See application file for complete search history.

(56) **References Cited**

U.S. PATENT DOCUMENTS

D165,259 S * 11/1951 Baker D26/74
3,581,448 A * 6/1971 Roux 52/28
3,786,602 A * 1/1974 Wilkin 52/28
3,995,798 A * 12/1976 Nikolaus et al. 52/28
D271,529 S * 11/1983 Ziver D26/118

D323,037 S * 1/1992 Edwards D26/118
D365,159 S * 12/1995 Tinen D25/138
D439,008 S * 3/2001 Kim D26/118
D548,386 S * 8/2007 McDowell D26/118
D569,024 S * 5/2008 Redfern D26/74
D592,348 S * 5/2009 Trott et al. D26/74
D614,338 S * 4/2010 Sieczkowski et al. D26/74
D614,801 S * 4/2010 Collins et al. D26/118
7,699,488 B2 * 4/2010 Drees 362/147
D628,335 S * 11/2010 Hyland D26/74
8,297,798 B1 * 10/2012 Pittman et al. 362/296.05
D675,369 S * 1/2013 Michaud D26/118
8,382,340 B2 * 2/2013 Boyer et al. 362/368
D685,520 S * 7/2013 O'Driscoll et al. D26/118
D690,875 S * 10/2013 McKenzie et al. D26/118
D698,970 S * 2/2014 Guzzini D26/74
D707,872 S * 6/2014 Piano D26/71
2003/0002279 A1 * 1/2003 Fiene 362/147
2008/0278952 A1 * 11/2008 Trott et al. 362/299
2008/0278957 A1 * 11/2008 Pickard et al. 362/373

* cited by examiner

Primary Examiner — Garth Rademaker

Assistant Examiner — Llorellys Martinez-Rivera

(74) *Attorney, Agent, or Firm* — Abelman, Frayne & Schwab

(57) **CLAIM**

The ornamental design for a light fixture optic element, as shown and described.

DESCRIPTION

FIG. 1 is a top, front, right side perspective view of a light fixture optic element showing my new design;

FIG. 2 is a top plan view thereof;

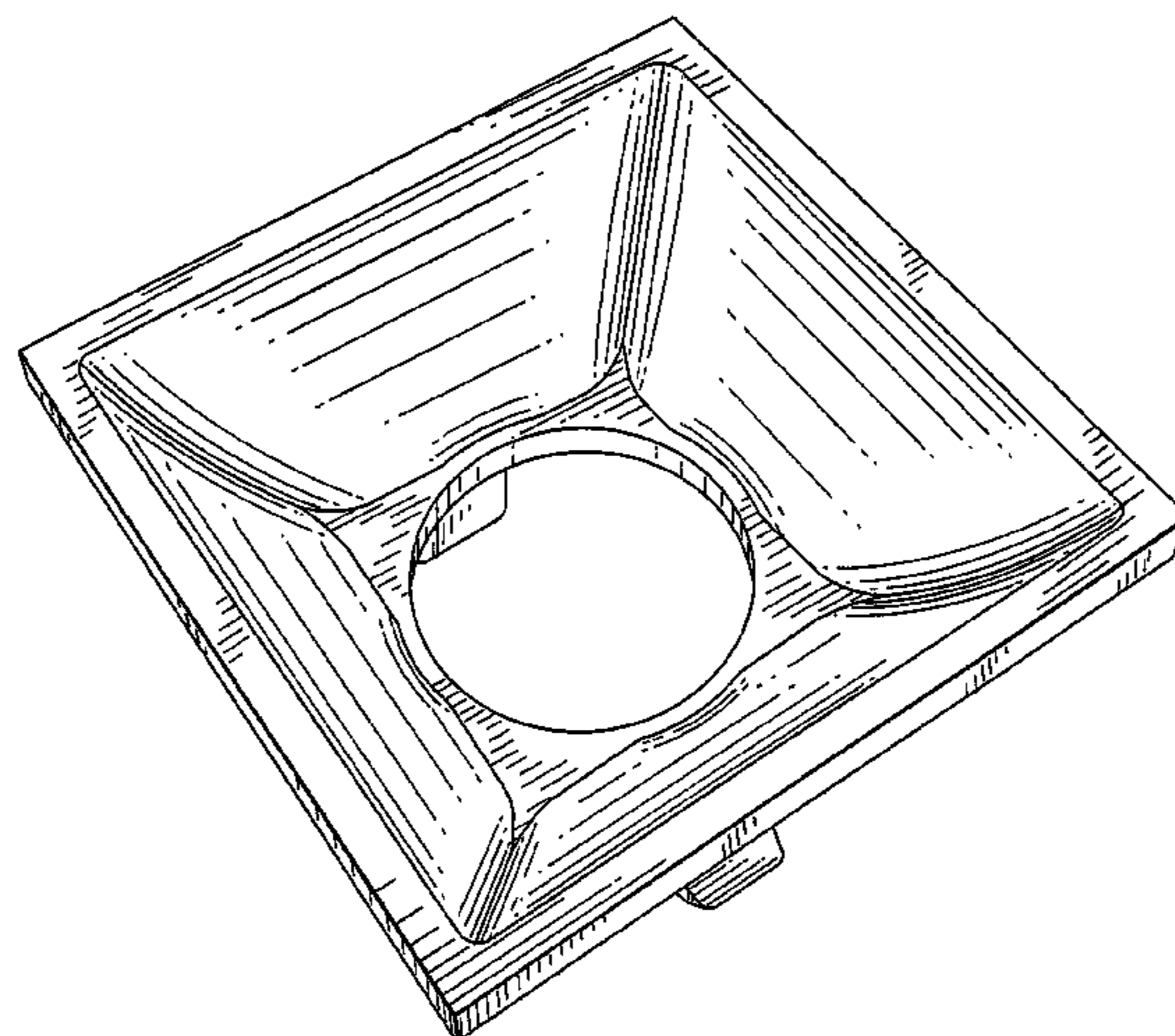
FIG. 3 is a front elevation view thereof, the rear elevation view being a mirror image thereof;

FIG. 4 is a right side elevation view thereof, the left side elevation view being a mirror image thereof; and,

FIG. 5 is a bottom plan view thereof.

The broken lines of FIGS. 4 and 5 are included to show environmental subject matter only and form no part of the claimed design.

1 Claim, 3 Drawing Sheets



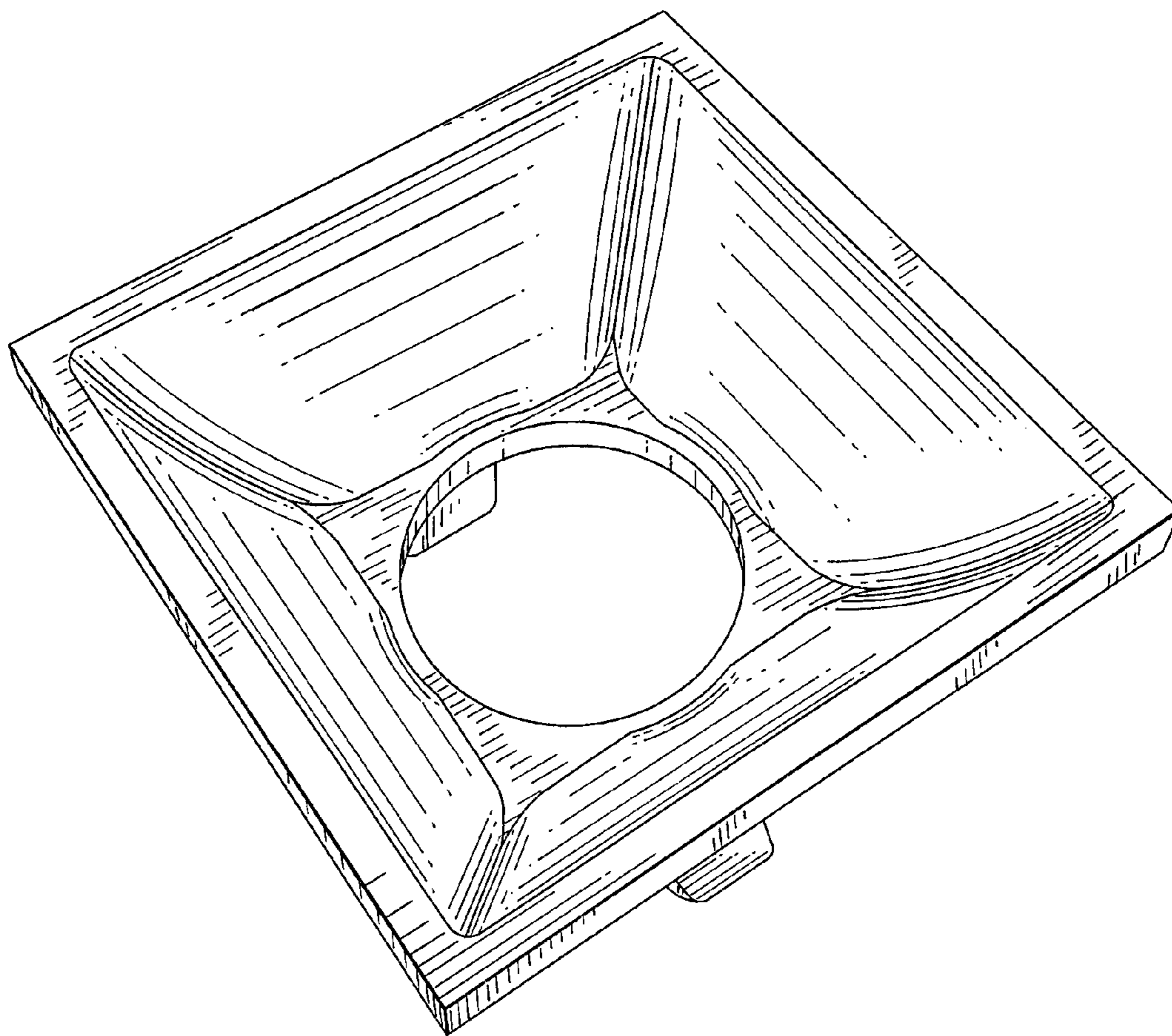


FIG. 1

FIG. 2

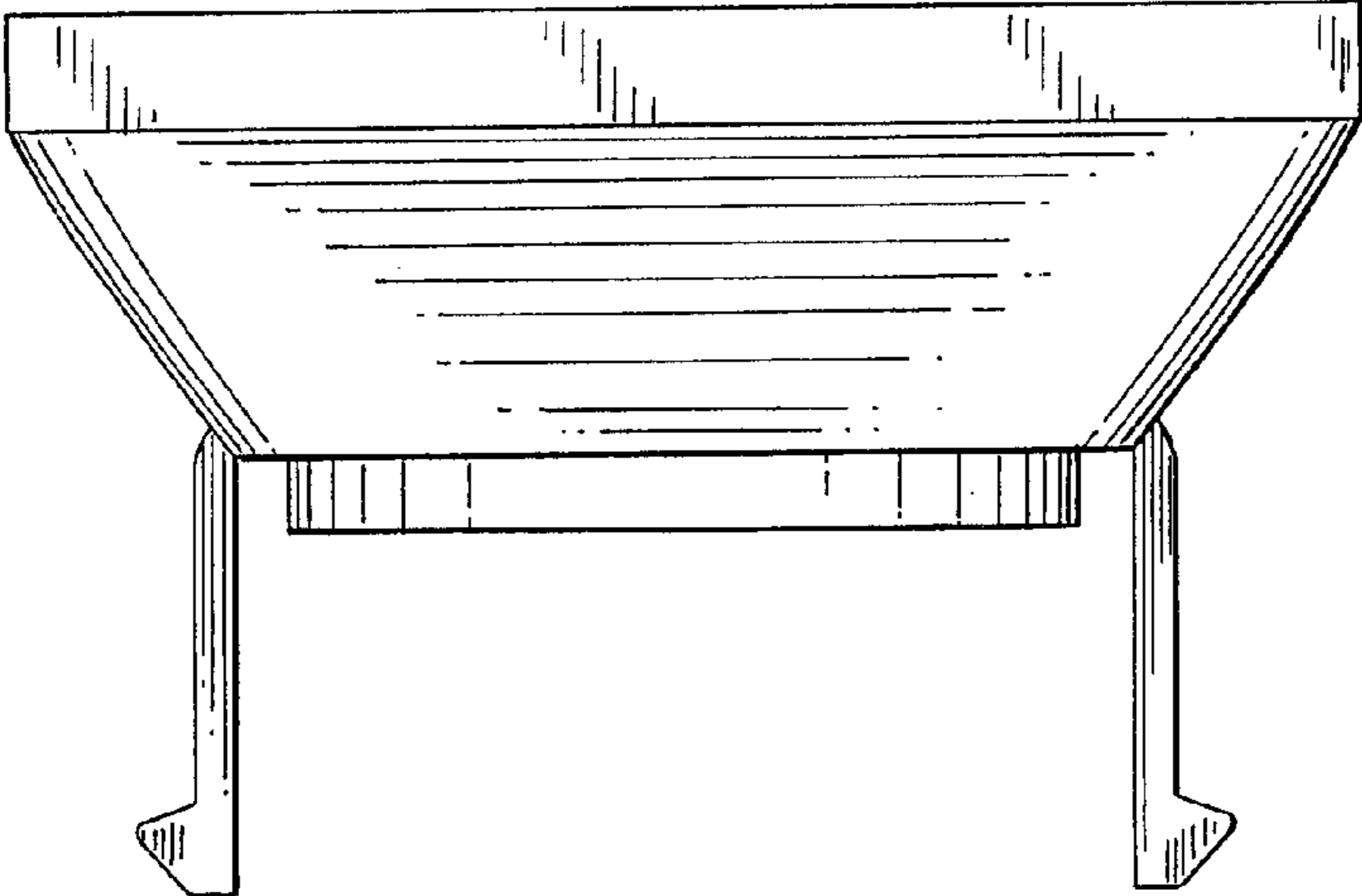
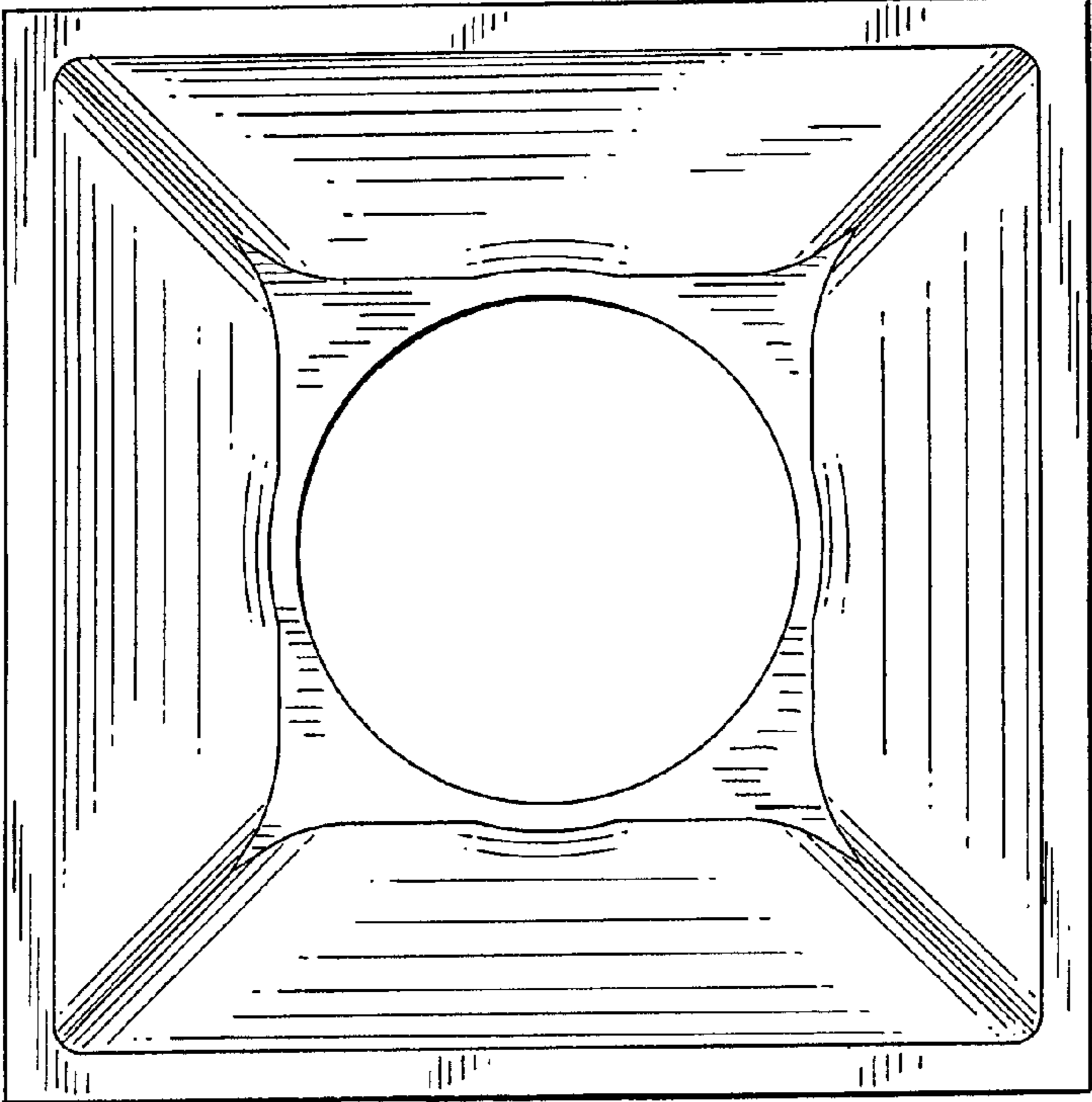


FIG. 3

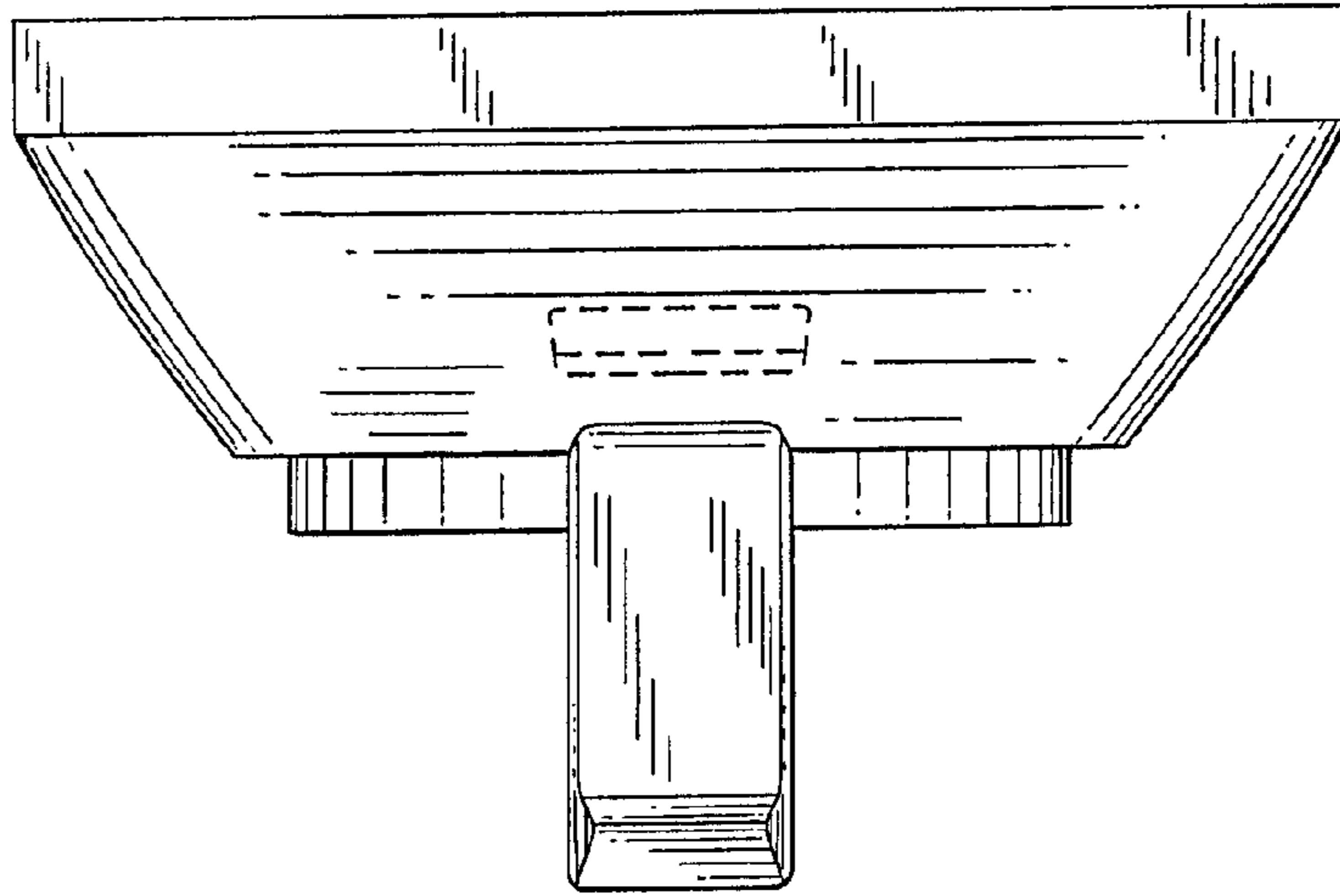


FIG. 4

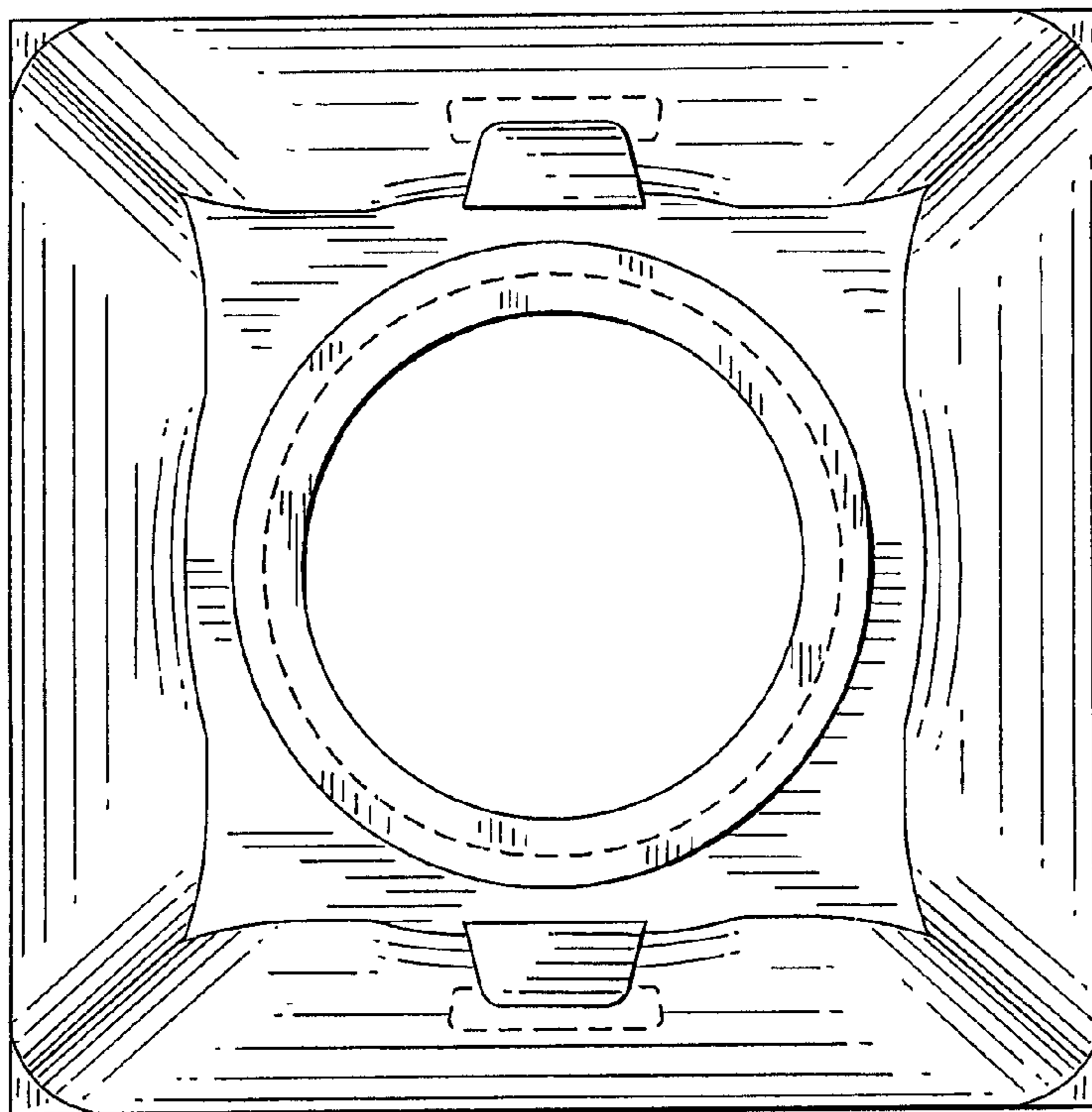


FIG. 5