



US00D717484S

(12) **United States Design Patent**  
**Rozot et al.**

(10) **Patent No.:** **US D717,484 S**

(45) **Date of Patent:** **\*\* Nov. 11, 2014**

(54) **LUMINAIRE**

(71) Applicant: **Photic Planning & Design, Inc.**, New York, NY (US)

(72) Inventors: **Nathalie Rozot**, New York, NY (US);  
**Amer Maleh**, New York, NY (US)

(73) Assignee: **Photic Planning & Design, Inc.**, New York, NY (US)

(\*\*) Term: **14 Years**

(21) Appl. No.: **29/467,941**

(22) Filed: **Sep. 25, 2013**

(51) **LOC (10) Cl.** ..... **26-03**

(52) **U.S. Cl.**

USPC ..... **D26/85**

(58) **Field of Classification Search**

USPC ..... D26/24, 26, 72, 85, 89, 118, 128, 130,  
D26/134-136; 362/147, 350, 404-408,  
362/453-456, 373

See application file for complete search history.

(56) **References Cited**

**U.S. PATENT DOCUMENTS**

D337,846 S \* 7/1993 Fiorato ..... D26/85  
D346,874 S \* 5/1994 Fiorato ..... D26/87  
D389,592 S \* 1/1998 Reiser ..... D26/36

D393,093 S \* 3/1998 Fiorato ..... D26/85  
D496,751 S \* 9/2004 Lin ..... D26/85  
D556,618 S \* 12/2007 Campagna ..... D10/111  
D564,124 S \* 3/2008 Dickson ..... D26/85  
D565,780 S \* 4/2008 Campagna ..... D26/85  
D567,987 S \* 4/2008 Khubani ..... D26/85  
D656,655 S \* 3/2012 Wauters ..... D26/89  
D667,160 S \* 9/2012 van Klinken et al. .... D26/87  
D669,206 S \* 10/2012 Yu ..... D26/85  
8,540,397 B2 \* 9/2013 Gill ..... 362/249.03

\* cited by examiner

*Primary Examiner* — Clare E Heflin

(74) *Attorney, Agent, or Firm* — Sheehan Phinney Bass + Green PA

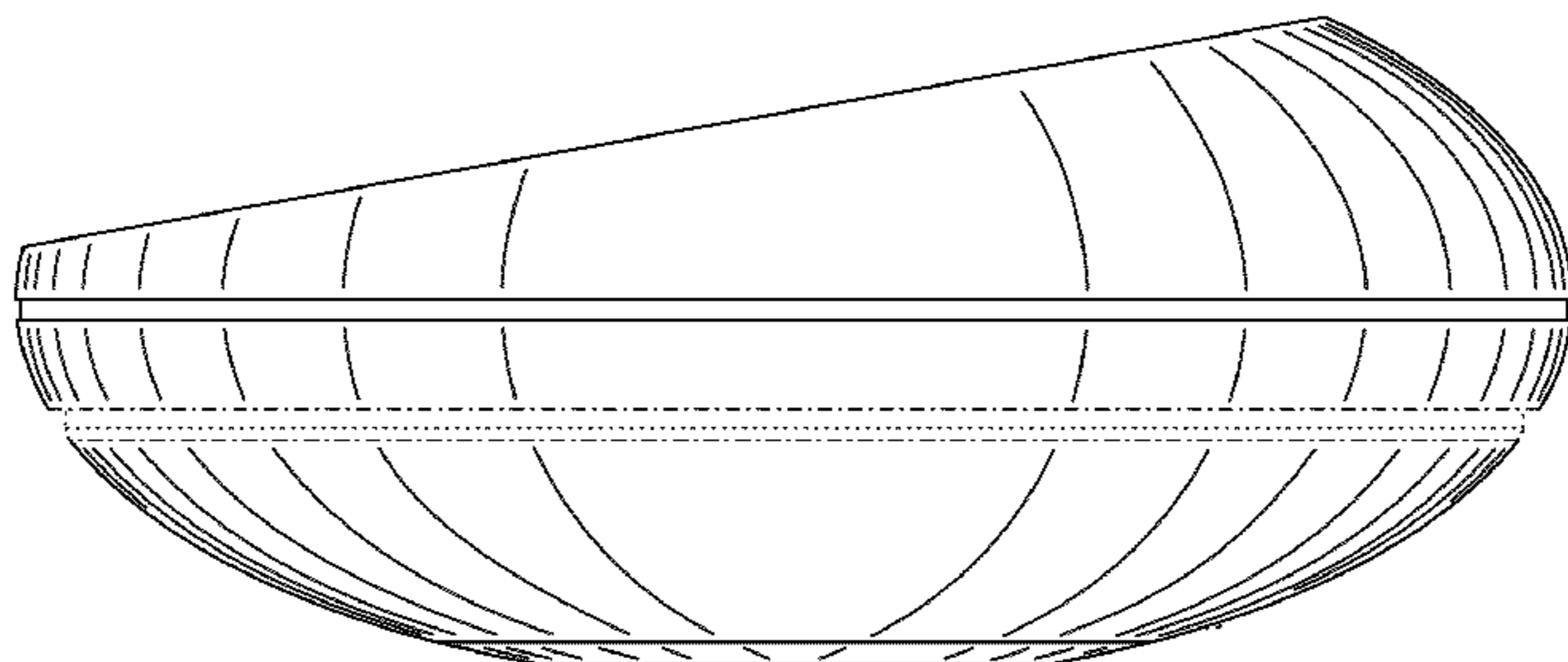
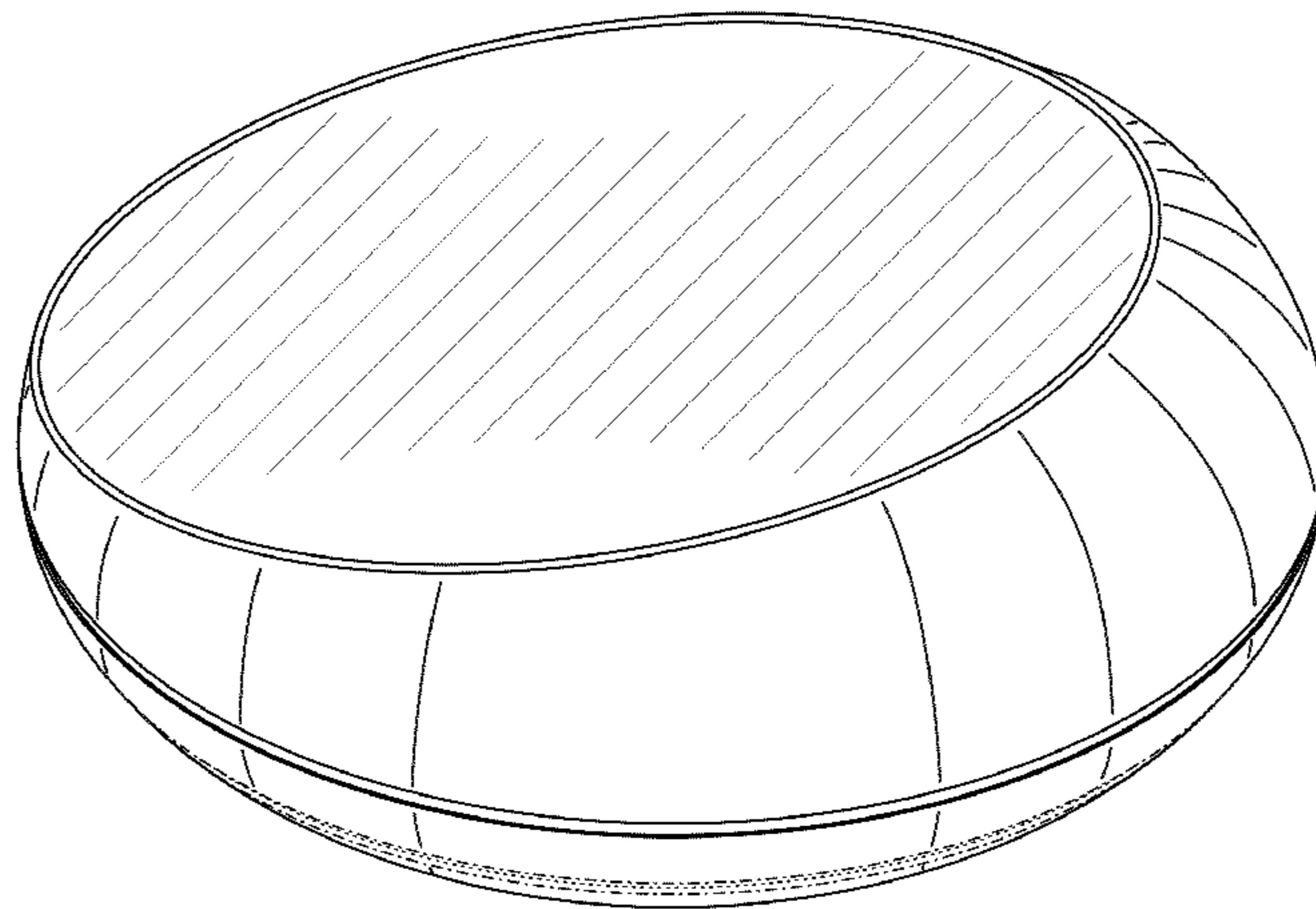
(57) **CLAIM**

The ornamental design for a luminaire, as shown and described.

**DESCRIPTION**

FIG. 1 is a perspective view of a luminaire.  
FIG. 2 is a top plan view of the luminaire.  
FIG. 3 is bottom plan view of the luminaire.  
FIG. 4 is right side view of the luminaire, the left side view is a mirror image.  
FIG. 5 is a front view of the luminaire; and,  
FIG. 6 is a hack view of the luminaire.  
The subject matter illustrated in the drawings with broken lines forms no part of the claimed design.

**1 Claim, 6 Drawing Sheets**



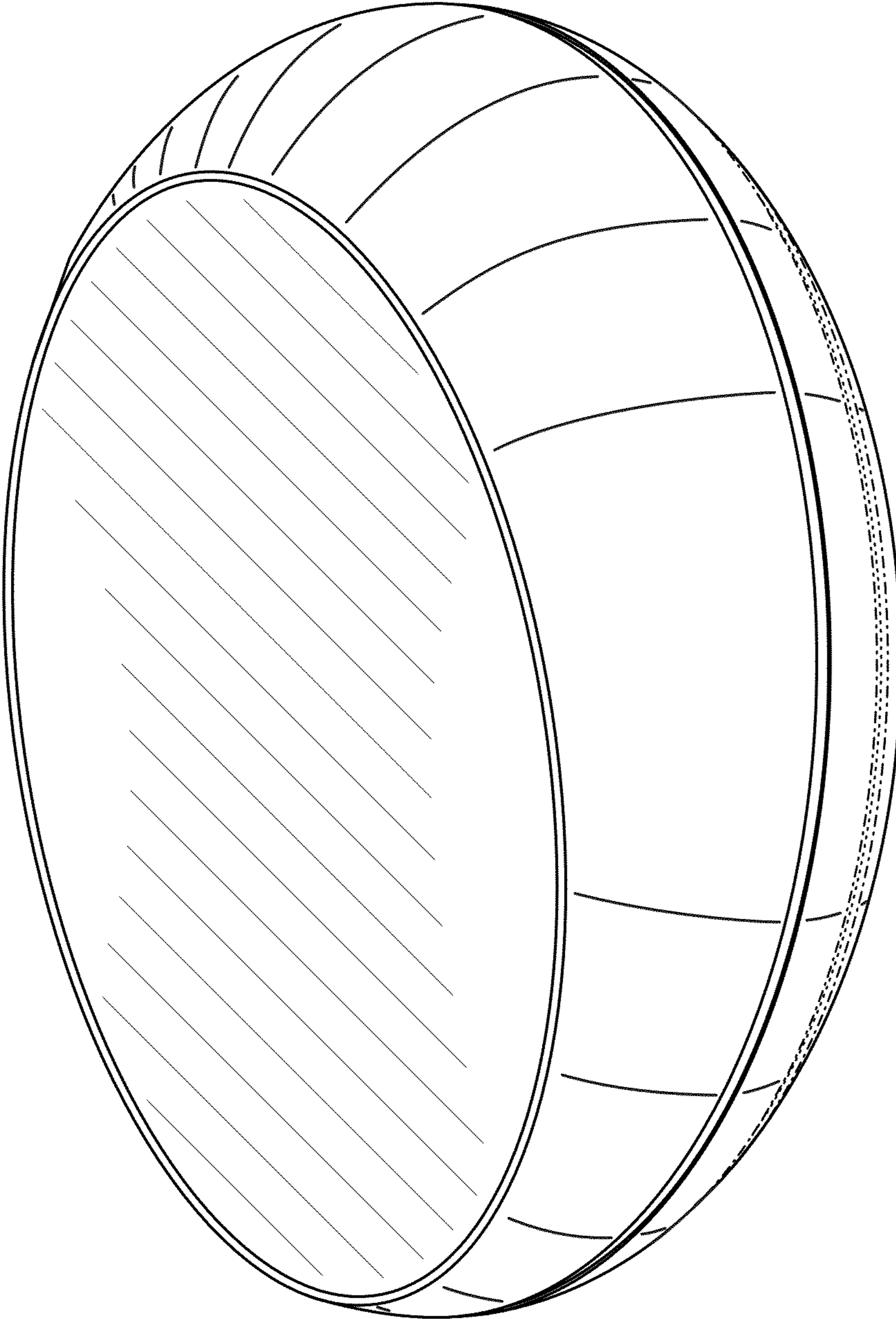


FIG. 1

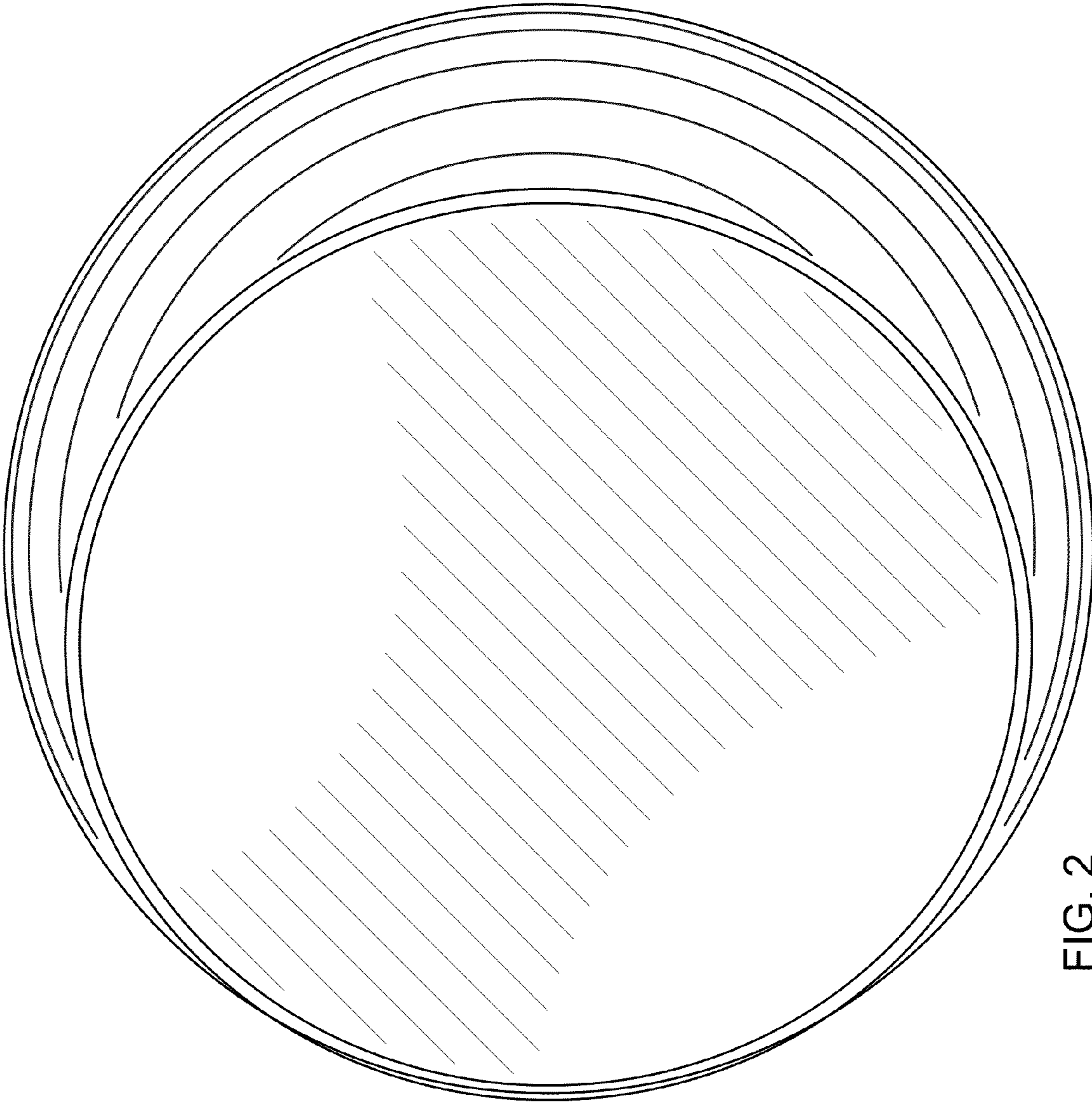


FIG. 2

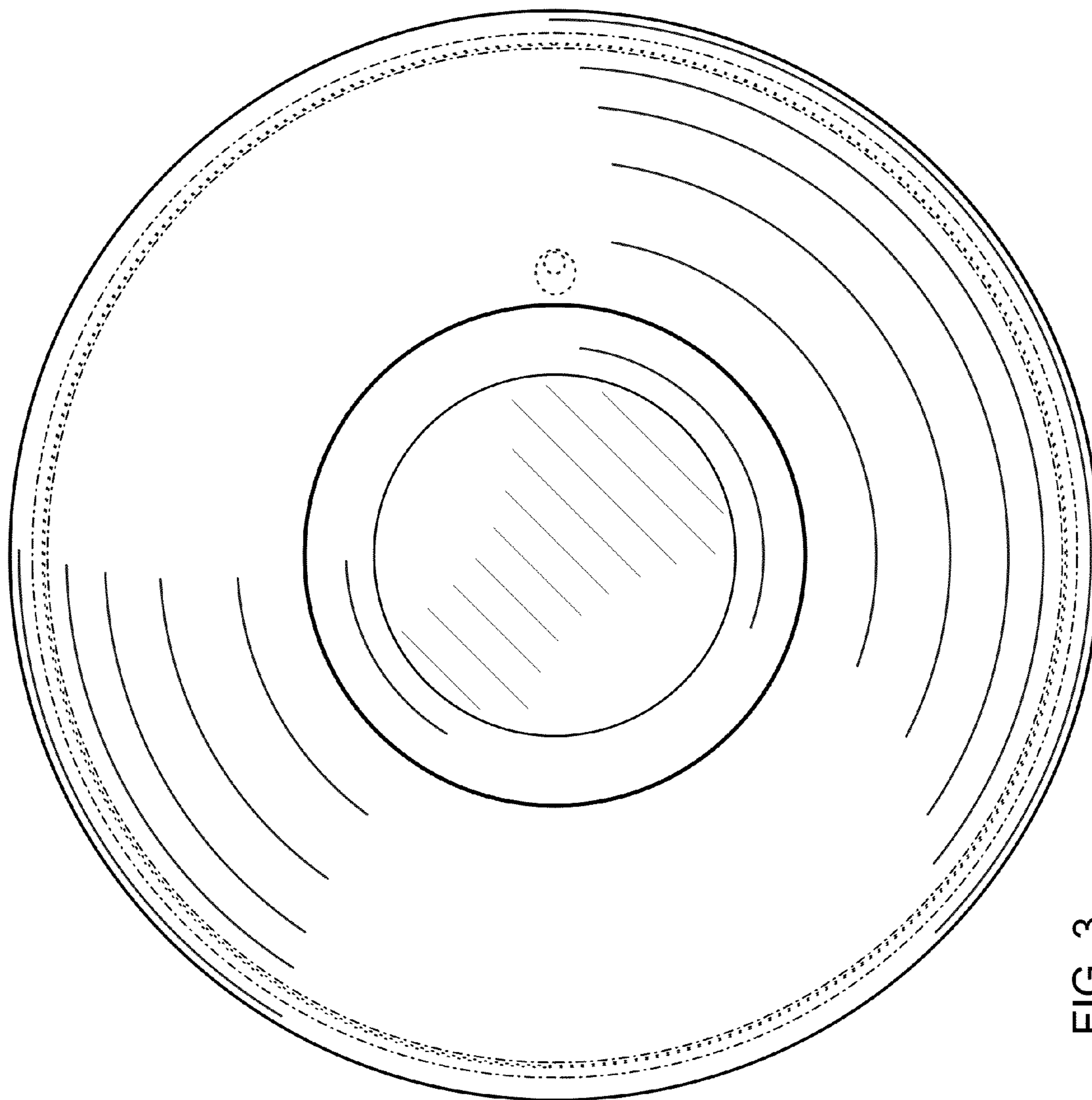


FIG. 3

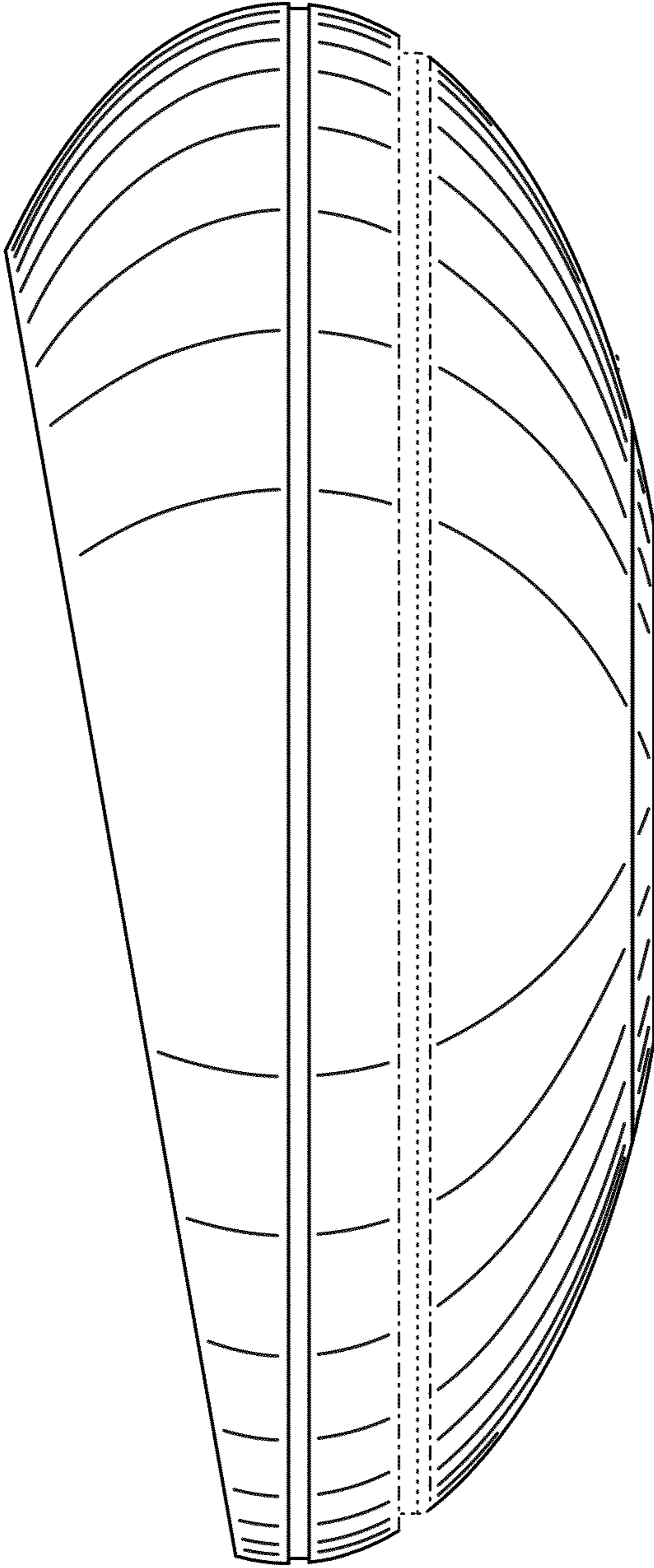


FIG. 4

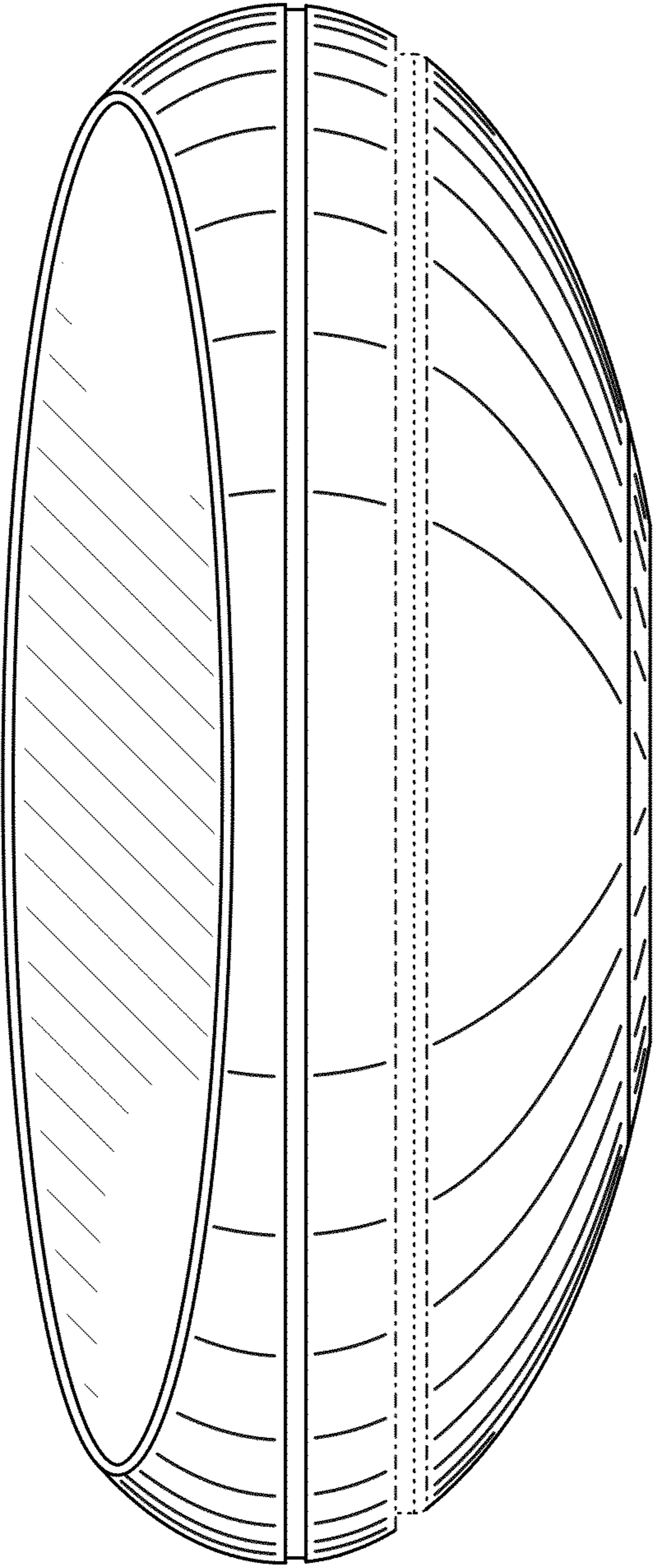


FIG. 5

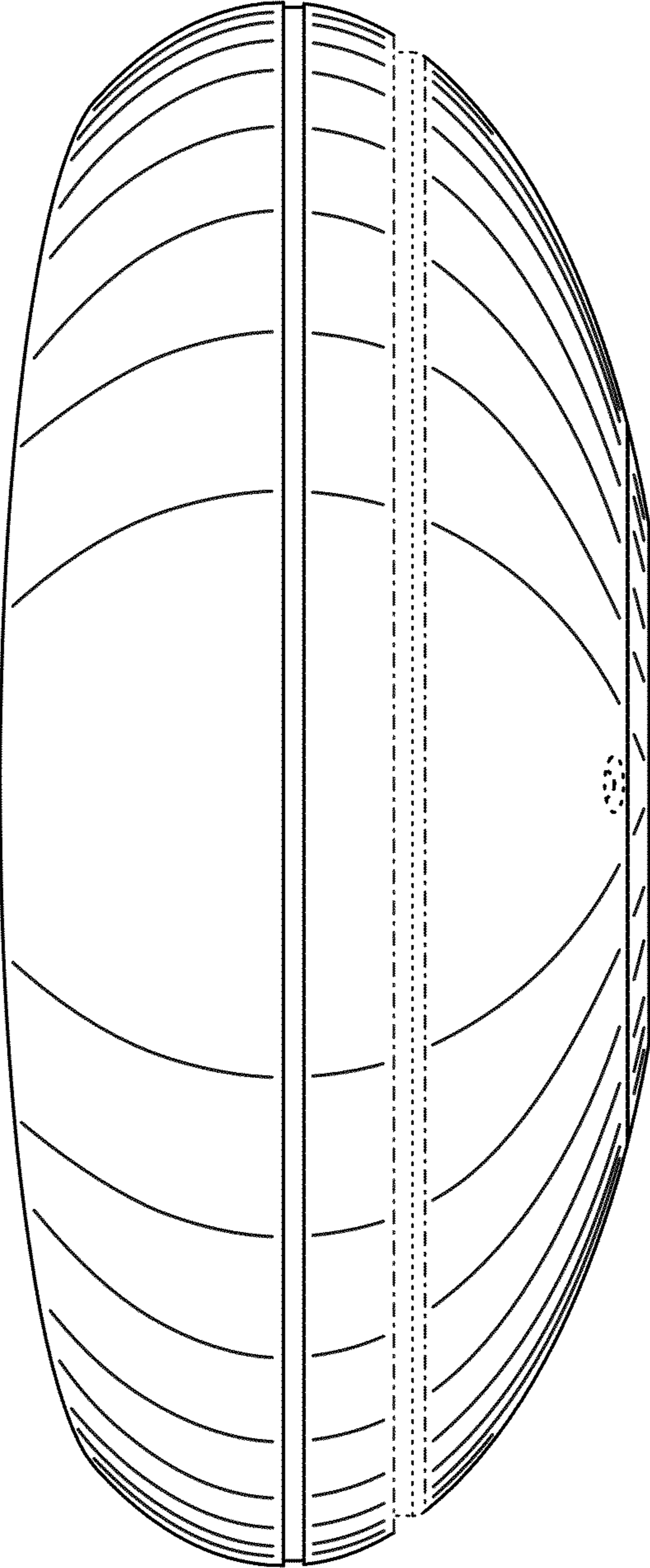


FIG. 6