



US00D717481S

(12) **United States Design Patent**  
**Yong**

(10) **Patent No.:** **US D717,481 S**

(45) **Date of Patent:** **\*\* Nov. 11, 2014**

(54) **LED FLASHLIGHT**

(71) Applicant: **MerchSource, LLC**, Irvine, CA (US)

(72) Inventor: **Raymond Yong**, Shanghai (CN)

(73) Assignee: **MerchSource, LLC**, Irvine, CA (US)

(\*\*) Term: **14 Years**

(21) Appl. No.: **29/471,329**

(22) Filed: **Oct. 30, 2013**

(51) **LOC (10) Cl.** ..... **26-02**

(52) **U.S. Cl.**  
USPC ..... **D26/49**

(58) **Field of Classification Search**  
CPC ..... F21I 2/00; F21I 4/00; F21I 4/005;  
F21I 17/00; F21I 13/08  
USPC ..... D26/37, 46, 49, 38; 362/157, 158, 183,  
362/184, 194-196, 202-208  
See application file for complete search history.

(56) **References Cited**

U.S. PATENT DOCUMENTS

D263,170 S	2/1982	Maglica	
D348,112 S	6/1994	Maglica	
D351,477 S *	10/1994	Bamber	D26/49
D363,361 S	10/1995	Maglica	
D410,761 S *	6/1999	Chiu	D26/49
D502,277 S *	2/2005	Chen	D26/49
D530,439 S	10/2006	Maglica	
7,125,140 B2	10/2006	Koch et al.	
D565,220 S *	3/2008	Galli	D26/49
D579,595 S *	10/2008	Shiu	D26/49
D590,972 S *	4/2009	Palmer et al.	D26/49

D596,329 S *	7/2009	Galli	D26/49
7,566,149 B2	7/2009	Koch et al.	
D601,286 S *	9/2009	Chen	D26/49
D601,737 S *	10/2009	Swan	D26/49
D612,085 S	3/2010	Hesse et al.	
D613,438 S *	4/2010	Liang	D26/49
D629,541 S *	12/2010	Riley	D26/49
7,896,518 B2	3/2011	Holmes et al.	
D641,901 S *	7/2011	Opolka	D26/49
D644,365 S *	8/2011	Yuen	D26/49
2011/0084631 A1	4/2011	Koch et al.	

\* cited by examiner

*Primary Examiner* — Ian Simmons

*Assistant Examiner* — Carissa C Fitts

(74) *Attorney, Agent, or Firm* — The Eclipse Group LLP

(57) **CLAIM**

I claim the ornamental design for an LED flashlight, as shown and described.

**DESCRIPTION**

FIG. 1 is a front perspective view of the left side of the LED flashlight.

FIG. 2 is a rear perspective view of the right side of the LED flashlight.

FIG. 3 is a plan view of the LED flashlight.

FIG. 4 is a bottom view of the LED flashlight.

FIG. 5 is a left elevation view of the LED flashlight.

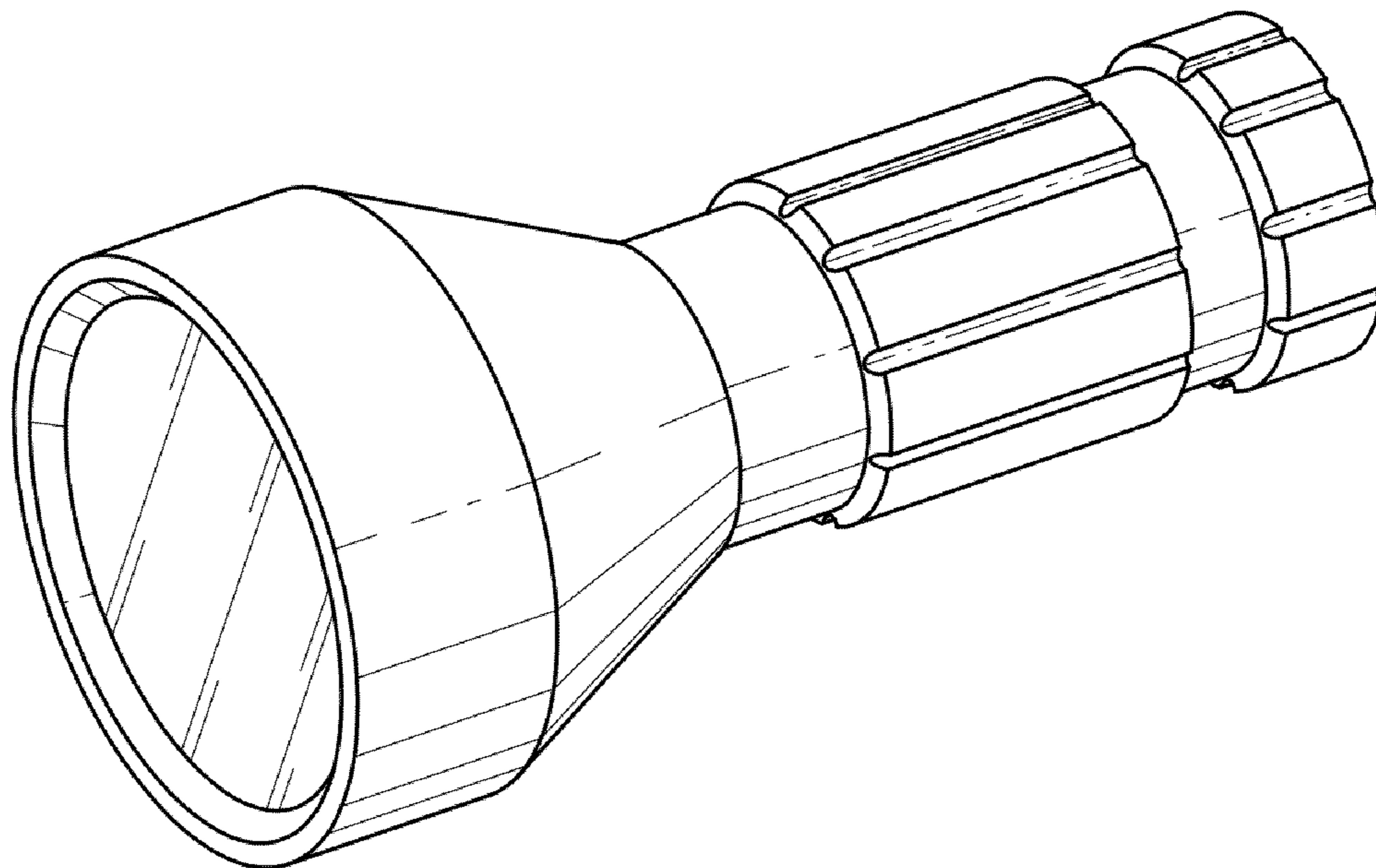
FIG. 6 is a right elevation view of the LED flashlight.

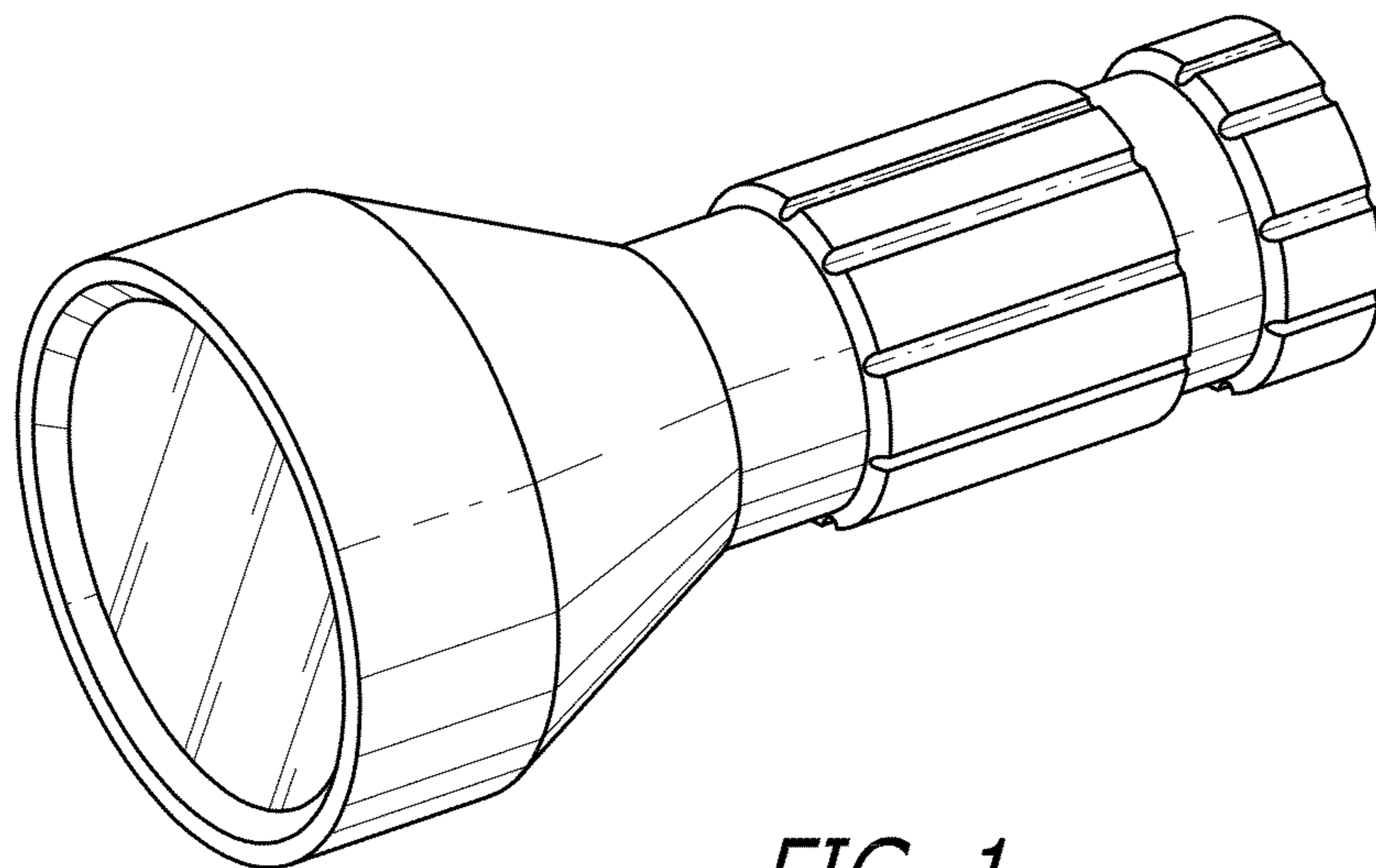
FIG. 7 is a front view of the LED flashlight; and,

FIG. 8 is a rear view of the LED flashlight.

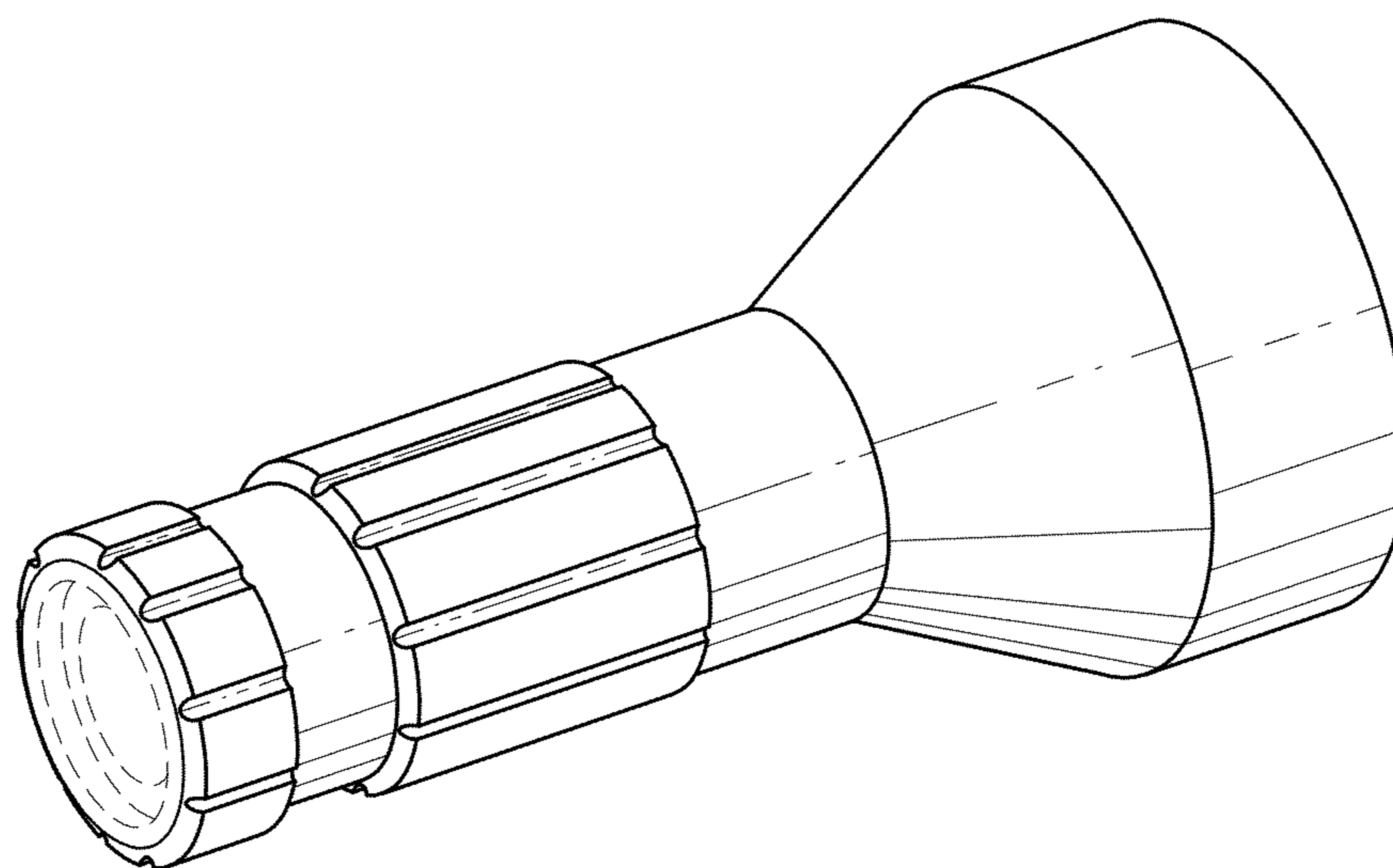
The dashed lines in various figures are for illustrative purposes only and form no part of the claimed design.

**1 Claim, 4 Drawing Sheets**

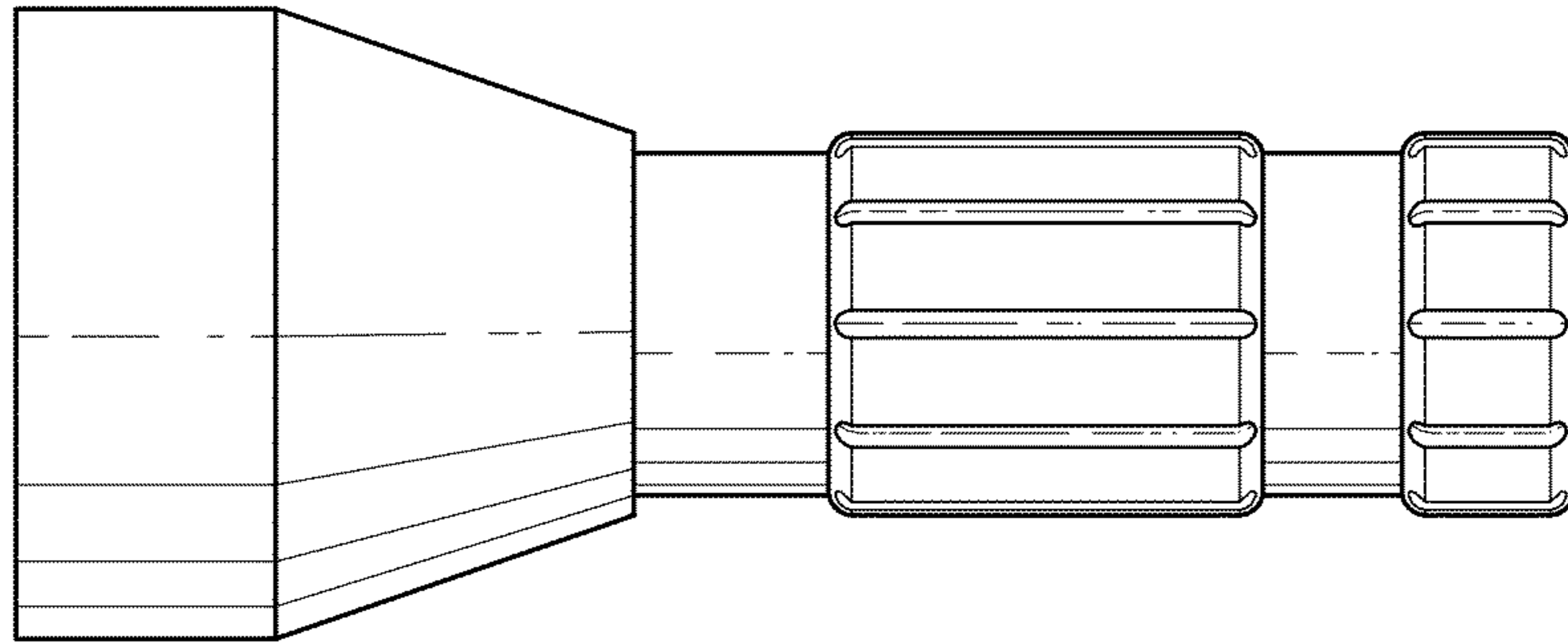




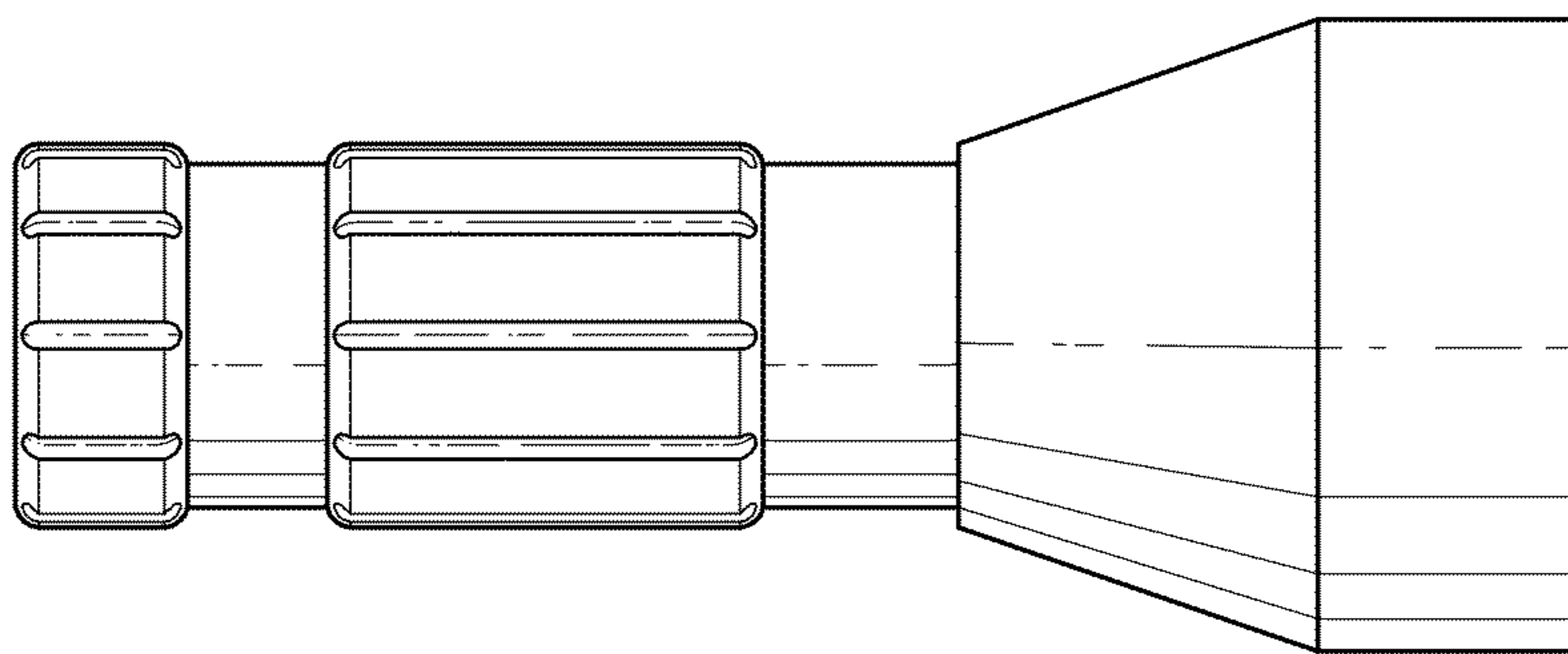
*FIG. 1*



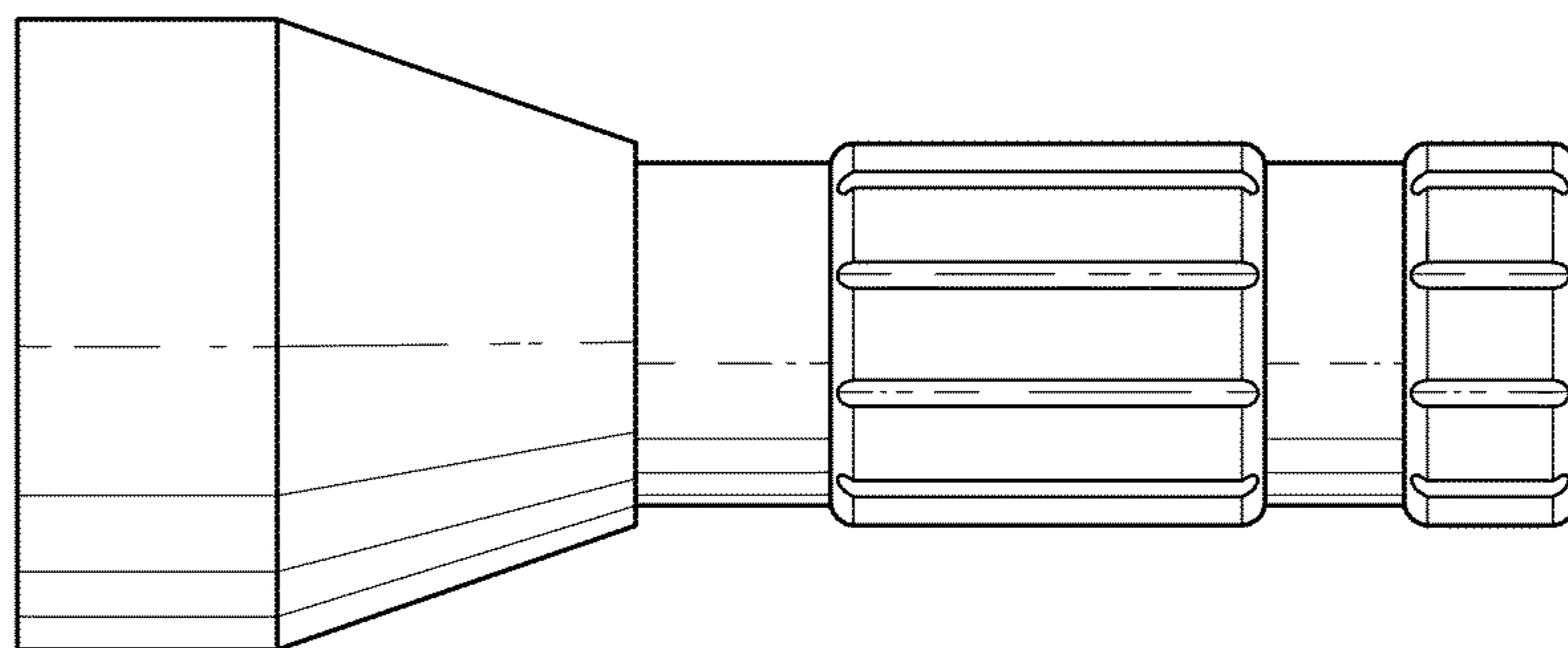
*FIG. 2*



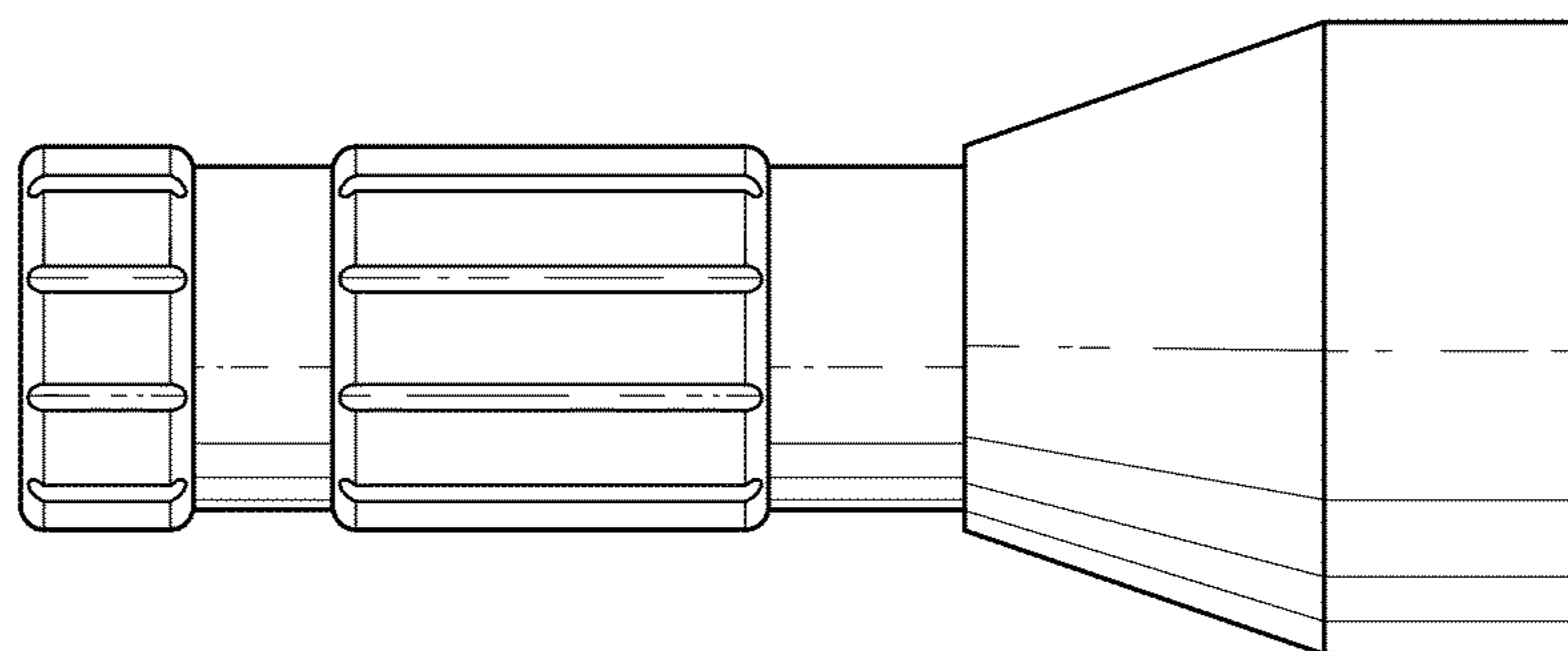
*FIG. 3*



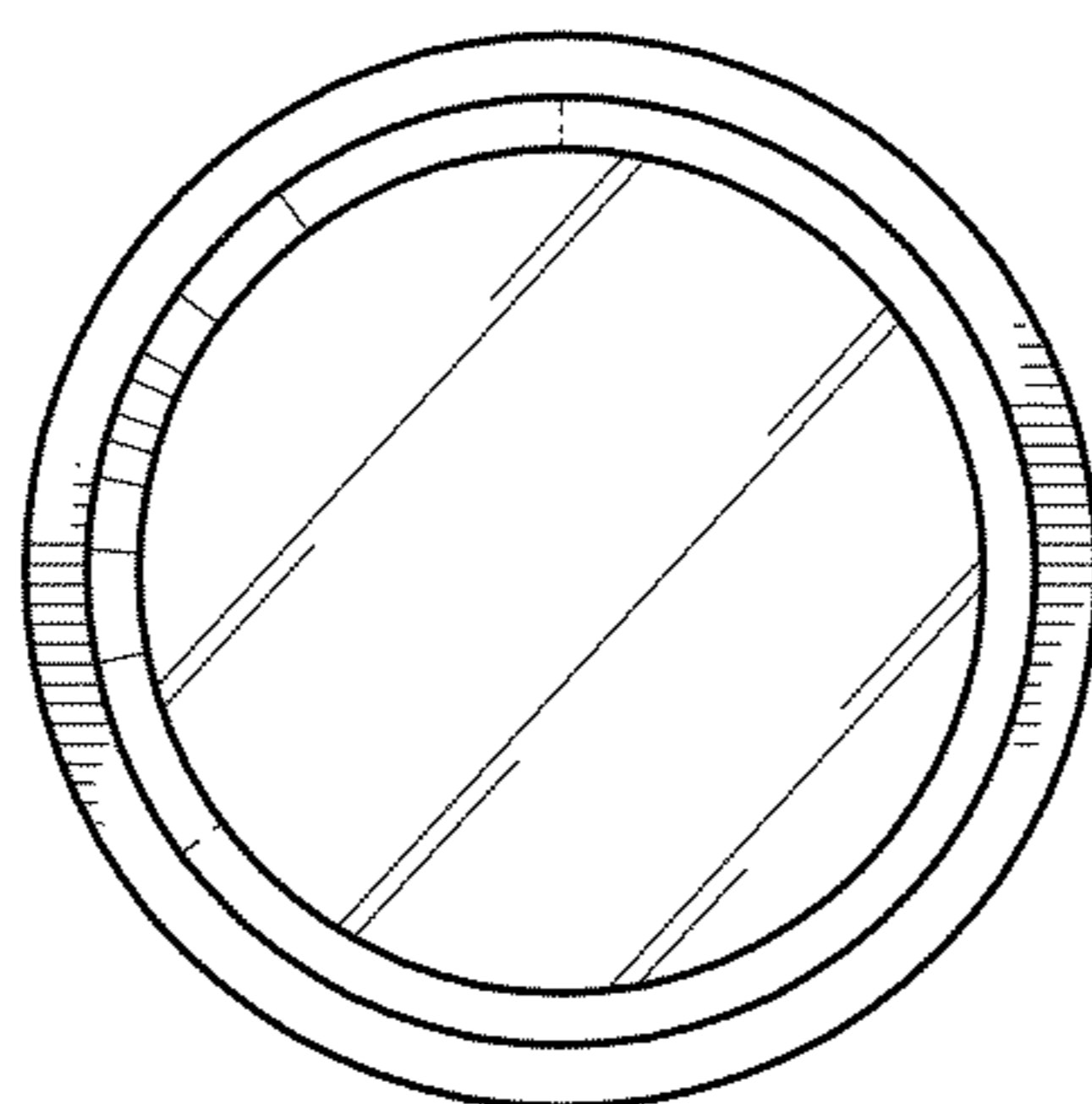
*FIG. 4*



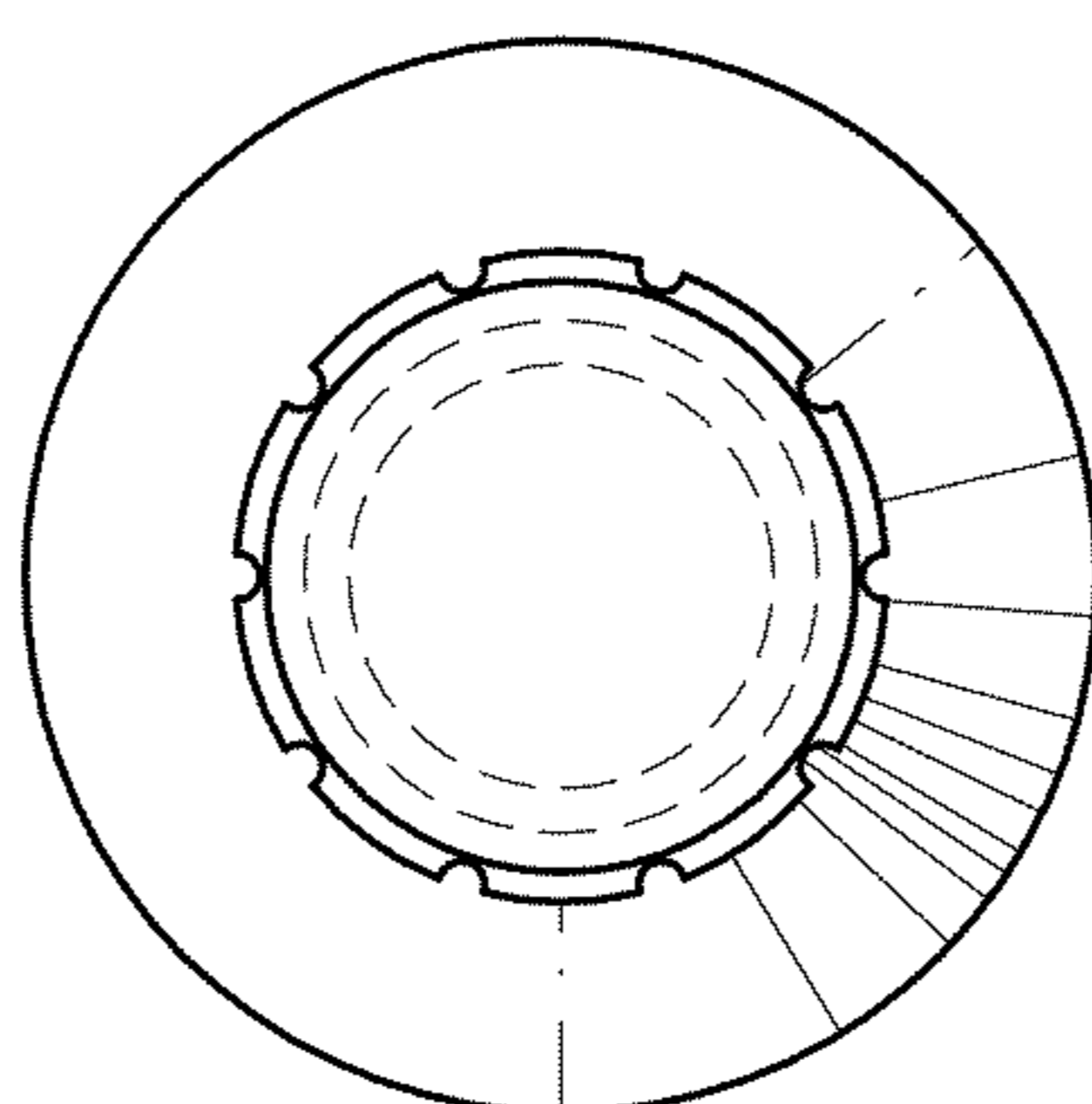
*FIG. 5*



*FIG. 6*



*FIG. 7*



*FIG. 8*