



US00D717479S

(12) **United States Design Patent**
Sievers et al.

(10) **Patent No.:** **US D717,479 S**

(45) **Date of Patent:** **** Nov. 11, 2014**

(54) **LED LIGHT BAR**

D676,990 S * 2/2013 Adams D26/31
2011/0074300 A1 3/2011 Hsu
2013/0033857 A1 2/2013 Lin

(71) Applicant: **4S Industries, Inc.**, San Carlos, CA
(US)

OTHER PUBLICATIONS

(72) Inventors: **Lisa Sievers**, San Carlos, CA (US);
Steven A. Sievers, San Carlos, CA (US);
Dylan James Sievers, San Carlos, CA
(US)

Mike Lyon, Holder Off-Road LED Light Bar, Off-Road.com (Sep. 1, 2007), <http://sandsports.off-road.com/trucks-4x4/feature/holder-of-road-led-light-bar-13335.html>.

PR Newswire, AR Optics: The World's First White and Amber Color Mixed Offroad Light Bar with Independent Control, <http://www.prnewswire.com/news-releases/ar-optics-the-worlds-first-white-and-amber-color-mixed-offroad-light-bar-with-independent-control-204844091.html>.

(73) Assignee: **4S Industries, Inc.**, San Carlos, CA
(US)

(**) Term: **14 Years**

(Continued)

(21) Appl. No.: **29/446,268**

Primary Examiner — Marcus Jackson

(22) Filed: **Feb. 21, 2013**

(74) *Attorney, Agent, or Firm* — Lisa Foundation Patent Law Clinic at Arizona State University

(51) **LOC (10) Cl.** **26-06**

(52) **U.S. Cl.**
USPC **D26/31**

(58) **Field of Classification Search**
USPC D26/28-36; 362/459-468, 475-478,
362/485-487

(57) **CLAIM**

The ornamental design for a LED light bar, as shown and described.

See application file for complete search history.

DESCRIPTION

FIG. 1 is a perspective view of a LED light bar showing our new design, with the center portion broken away to indicate indeterminate length;

FIG. 2 is a front view of the LED light bar.

FIG. 3 is a rear view of the LED light bar.

FIG. 4 is a left view of the LED light bar.

FIG. 5 is a right view of the LED light bar.

FIG. 6 is a top view of the LED light bar.

FIG. 7 is a bottom view of the LED light bar; and,

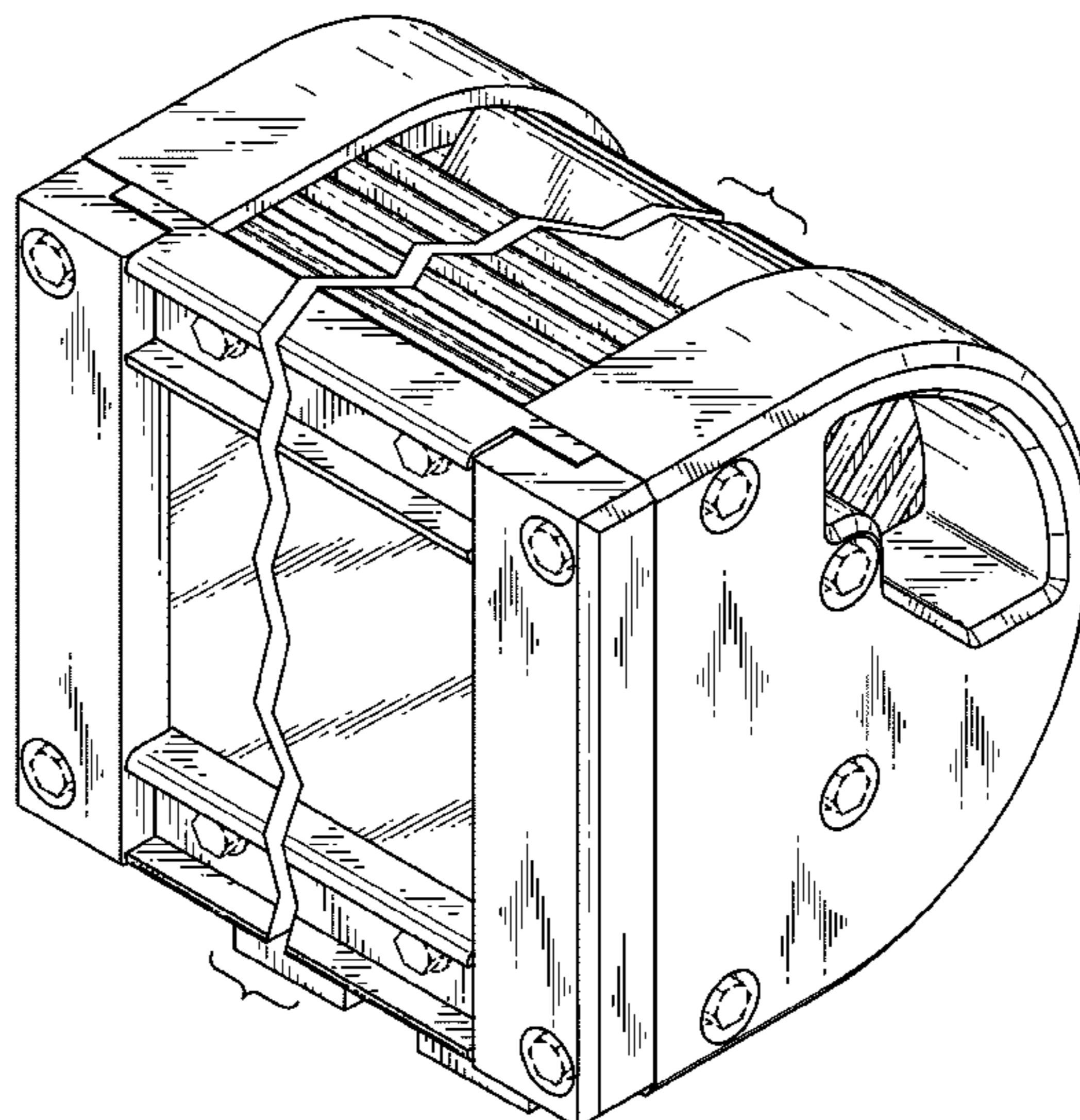
FIG. 8 is a perspective view of a second embodiment thereof, wherein the only difference resides in the front lens panel.

(56) **References Cited**

U.S. PATENT DOCUMENTS

D331,472	S	*	12/1992	Campbell	D26/31
D499,198	S	*	11/2004	Cowan et al.	D26/31
6,986,593	B2		1/2006	Rhoads		
7,114,832	B2		10/2006	Holder		
D564,683	S	*	3/2008	Roach et al.	D26/28
7,438,447	B2		10/2008	Holder		
D656,258	S	*	3/2012	Georgitsis et al.	D26/31
8,277,077	B2		10/2012	Georgitsis		
8,287,144	B2		10/2012	Pedersen		

1 Claim, 8 Drawing Sheets



(56)

References Cited

OTHER PUBLICATIONS

Aurora 4x4 off road Led light bar 100W, http://saurora.en.alibaba.com/product/691177551-214780347/Aurora_4x4_off_road_Led_light_bar_100W.html.

10inch off road led light, http://saurora.en.alibaba.com/product/511759280-214780341/10inch_off_road_led_light.html.

* cited by examiner

FIG. 1

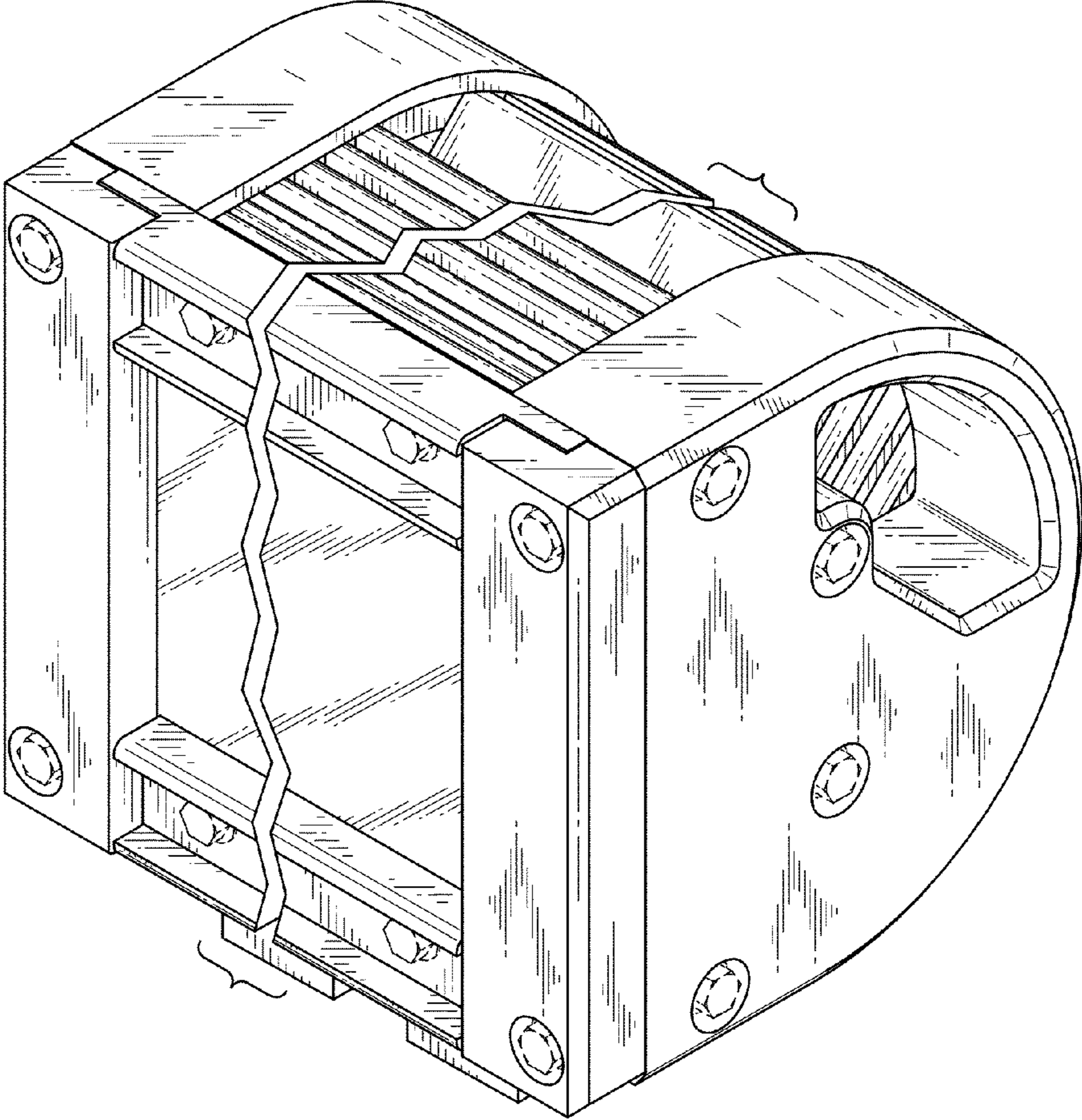


FIG. 2

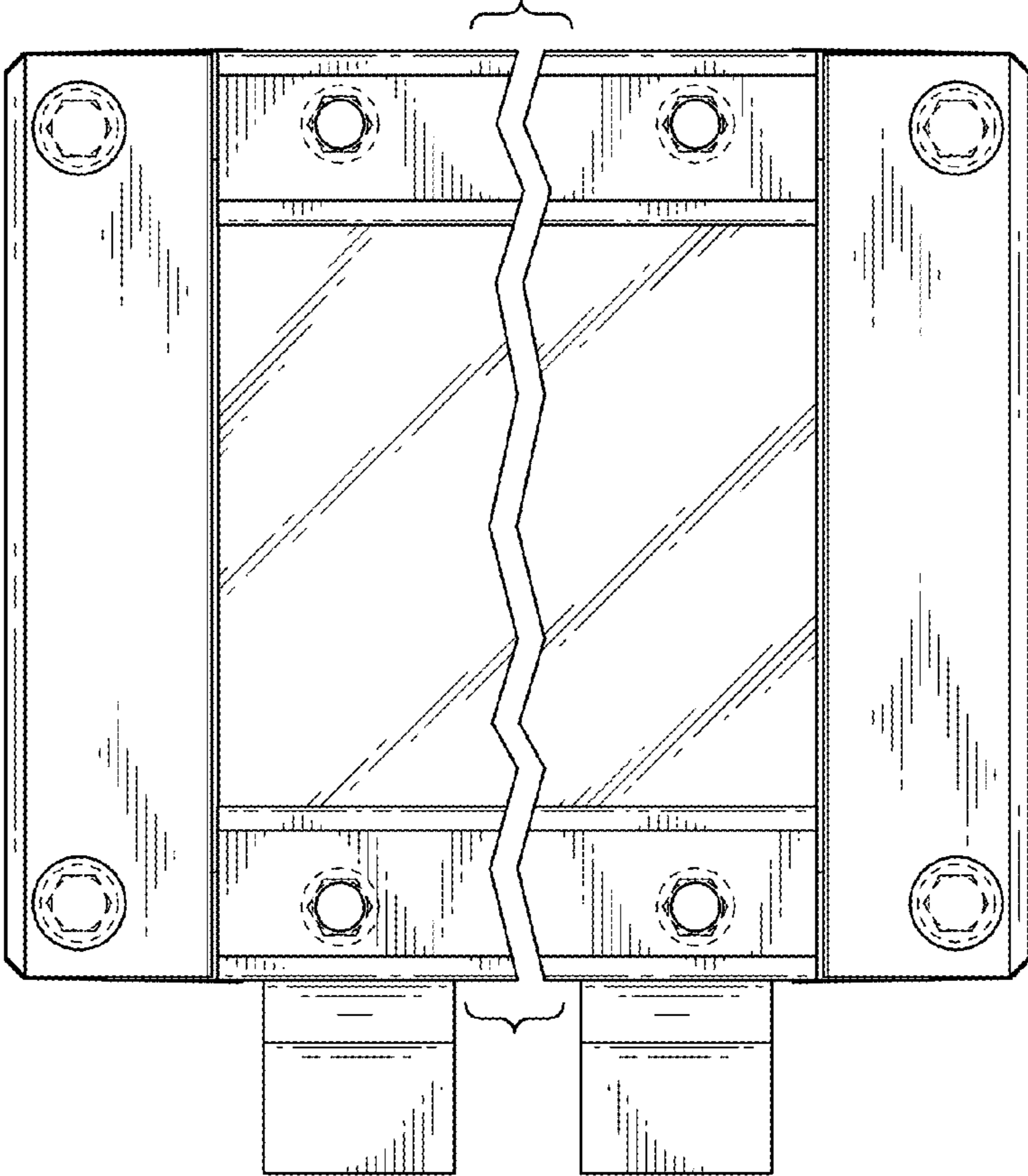


FIG. 3

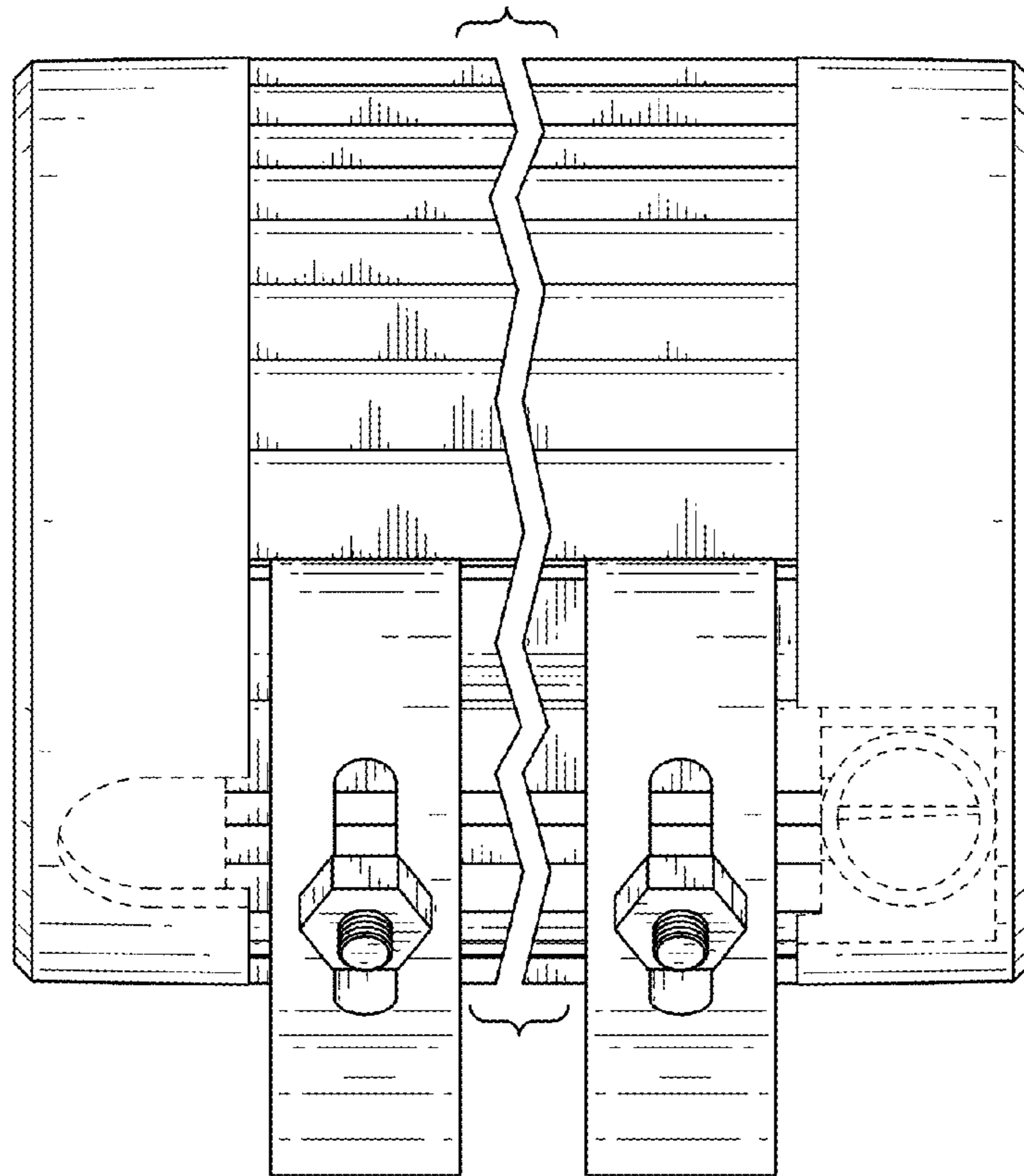


FIG. 4

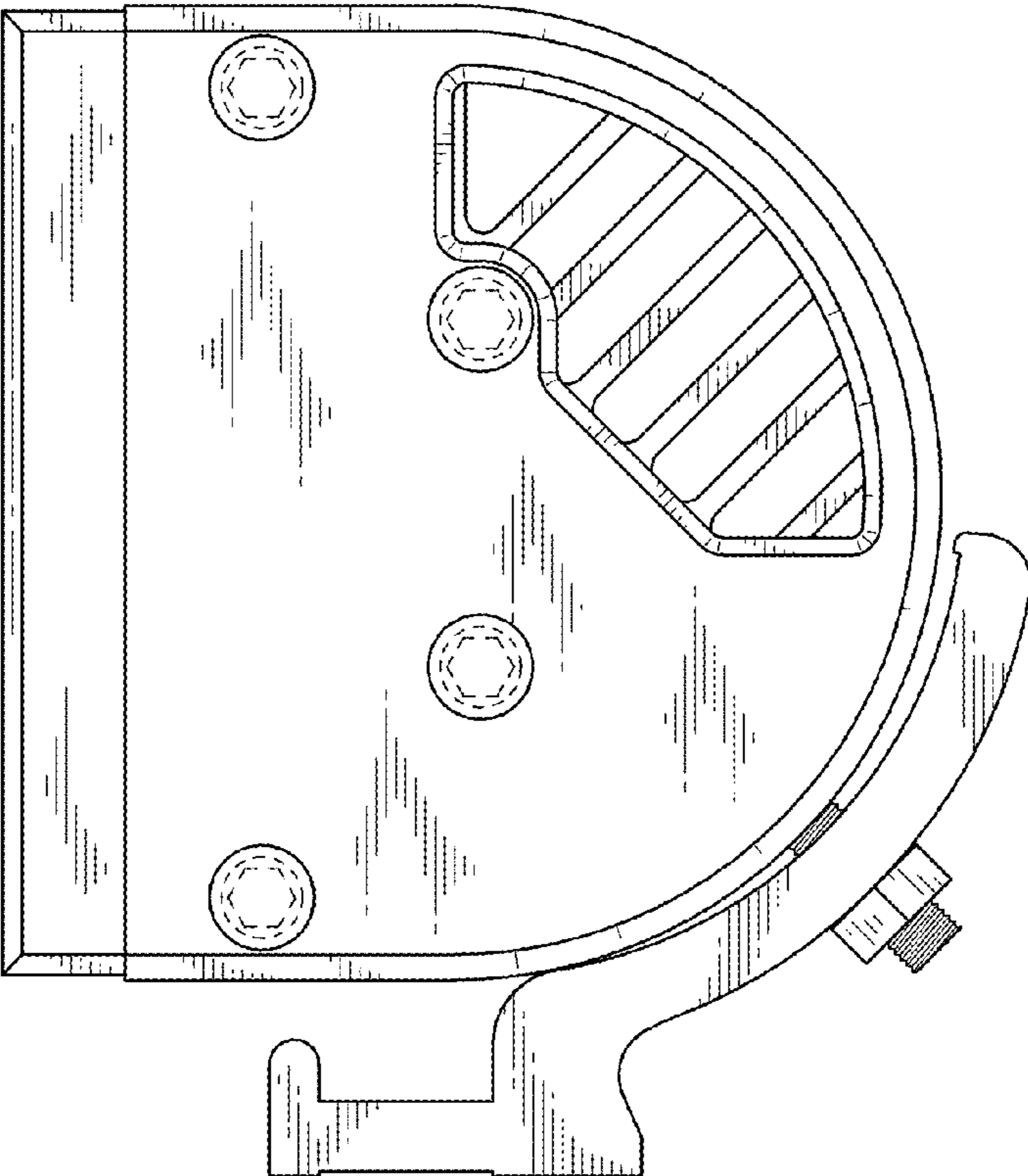


FIG. 5

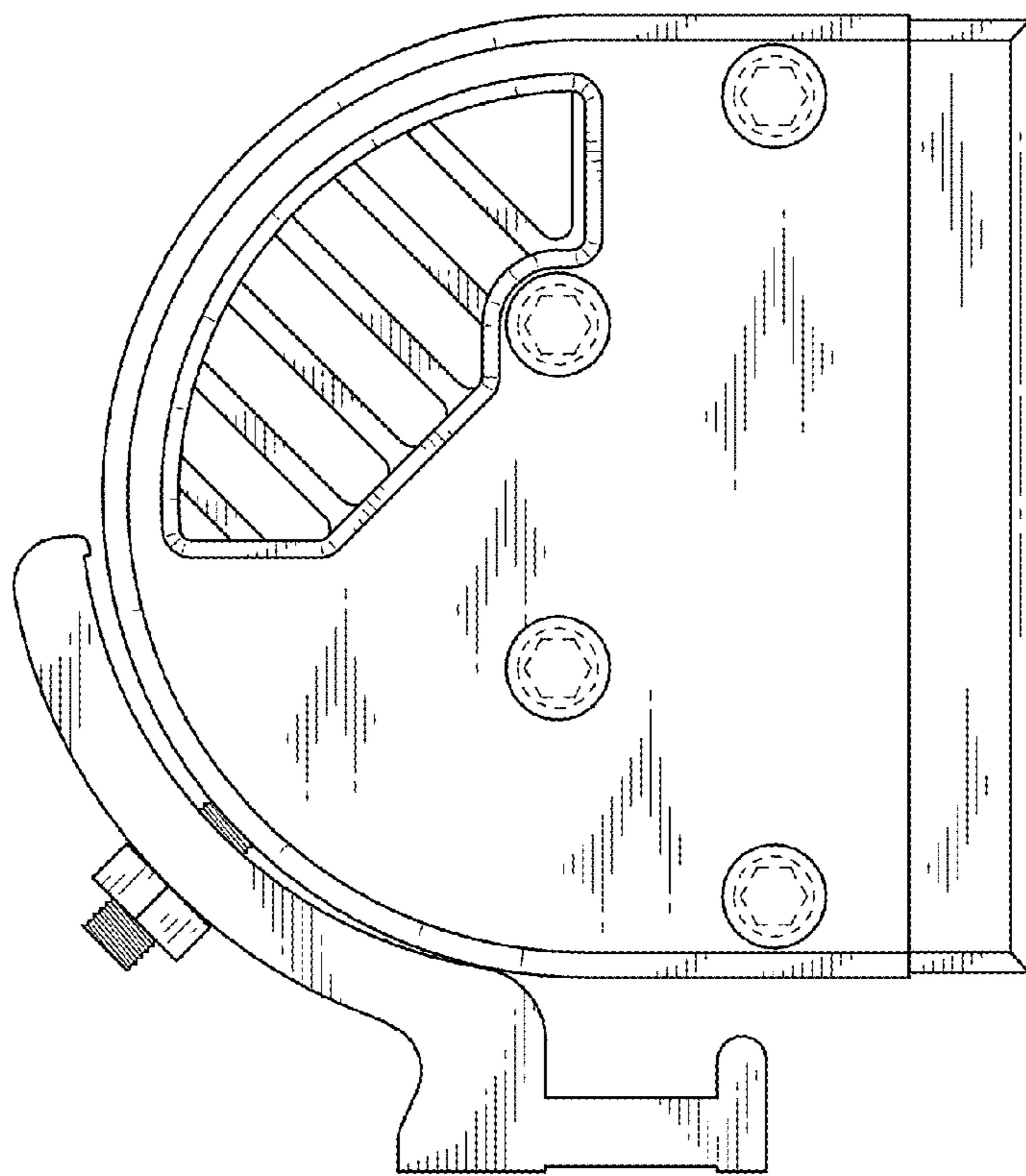


FIG. 6

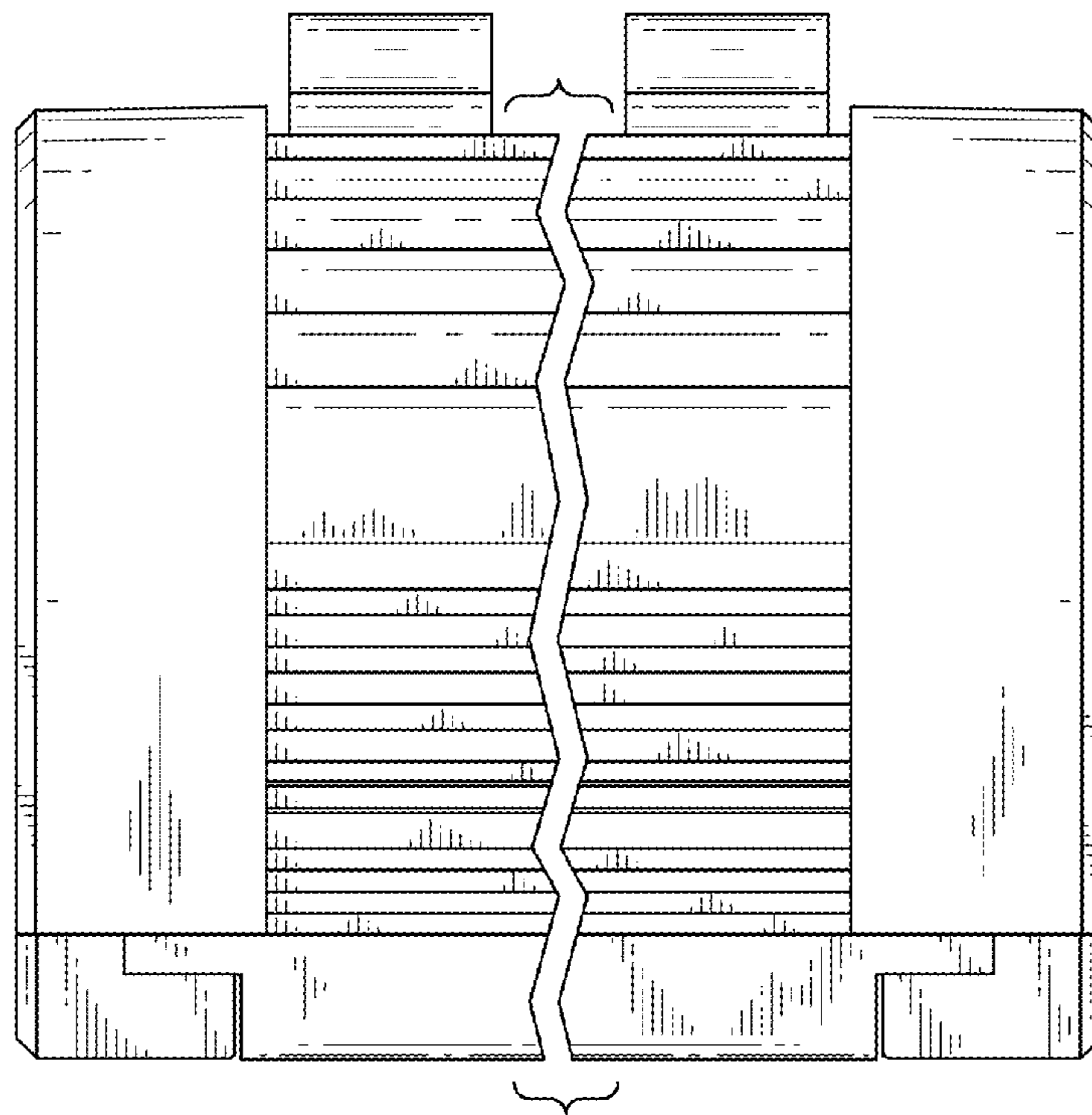


FIG. 7

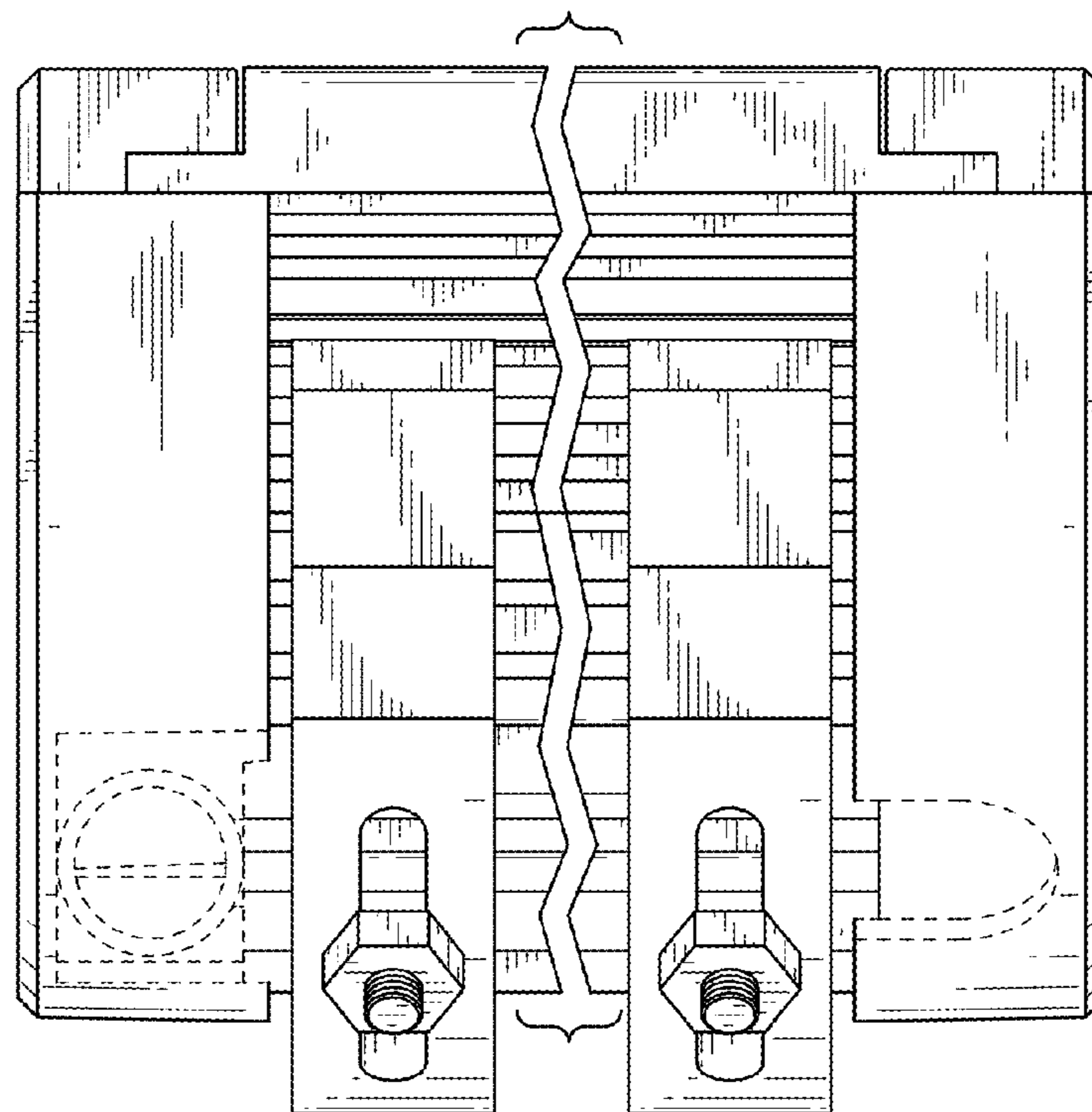


FIG. 8

