



US00D717478S

(12) **United States Design Patent**  
**Perini**

(10) **Patent No.:** **US D717,478 S**

(45) **Date of Patent:** **\*\* Nov. 11, 2014**

(54) **FRONT LIGHT FOR A VEHICLE**

(56) **References Cited**

(71) Applicant: **Automobili Lamborghini S.p.A.**, Sant' Agata Bolognese (IT)

U.S. PATENT DOCUMENTS

(72) Inventor: **Filippo Perini**, Bobbio (IT)

|              |        |                  |        |
|--------------|--------|------------------|--------|
| D508,136 S * | 8/2005 | Pfeiffer .....   | D26/28 |
| D518,581 S * | 4/2006 | Osawa .....      | D26/28 |
| D538,956 S * | 3/2007 | Ishii .....      | D26/28 |
| D544,614 S * | 6/2007 | Markefka .....   | D26/28 |
| D561,358 S * | 2/2008 | Tachibana .....  | D26/28 |
| D635,694 S * | 4/2011 | Yang et al. .... | D26/28 |

(73) Assignee: **Automobili Lamborghini S.p.A.**, Sant' Agata Bolognese (BO) (IT)

\* cited by examiner

(\*\*) Term: **14 Years**

*Primary Examiner* — Marcus Jackson

(21) Appl. No.: **29/464,992**

(74) *Attorney, Agent, or Firm* — Lucas & Mercanti, LLP; Klaus P. Stoffel

(22) Filed: **Aug. 22, 2013**

(57) **CLAIM**

The ornamental design for front light for a vehicle, as shown and described.

(30) **Foreign Application Priority Data**

**DESCRIPTION**

Feb. 22, 2013 (WO) ..... 721 957 601

(51) **LOC (10) CL.** ..... **26-06**

FIG. 1 is a perspective view of the lights of the present invention;

(52) **U.S. Cl.**

FIG. 2 is a left side view thereof;

USPC ..... **D26/28**

FIG. 3 is a right side view thereof;

(58) **Field of Classification Search**

USPC ..... D26/28-36; 362/459-468, 475-478, 362/485-487

FIG. 4 is a front view thereof;

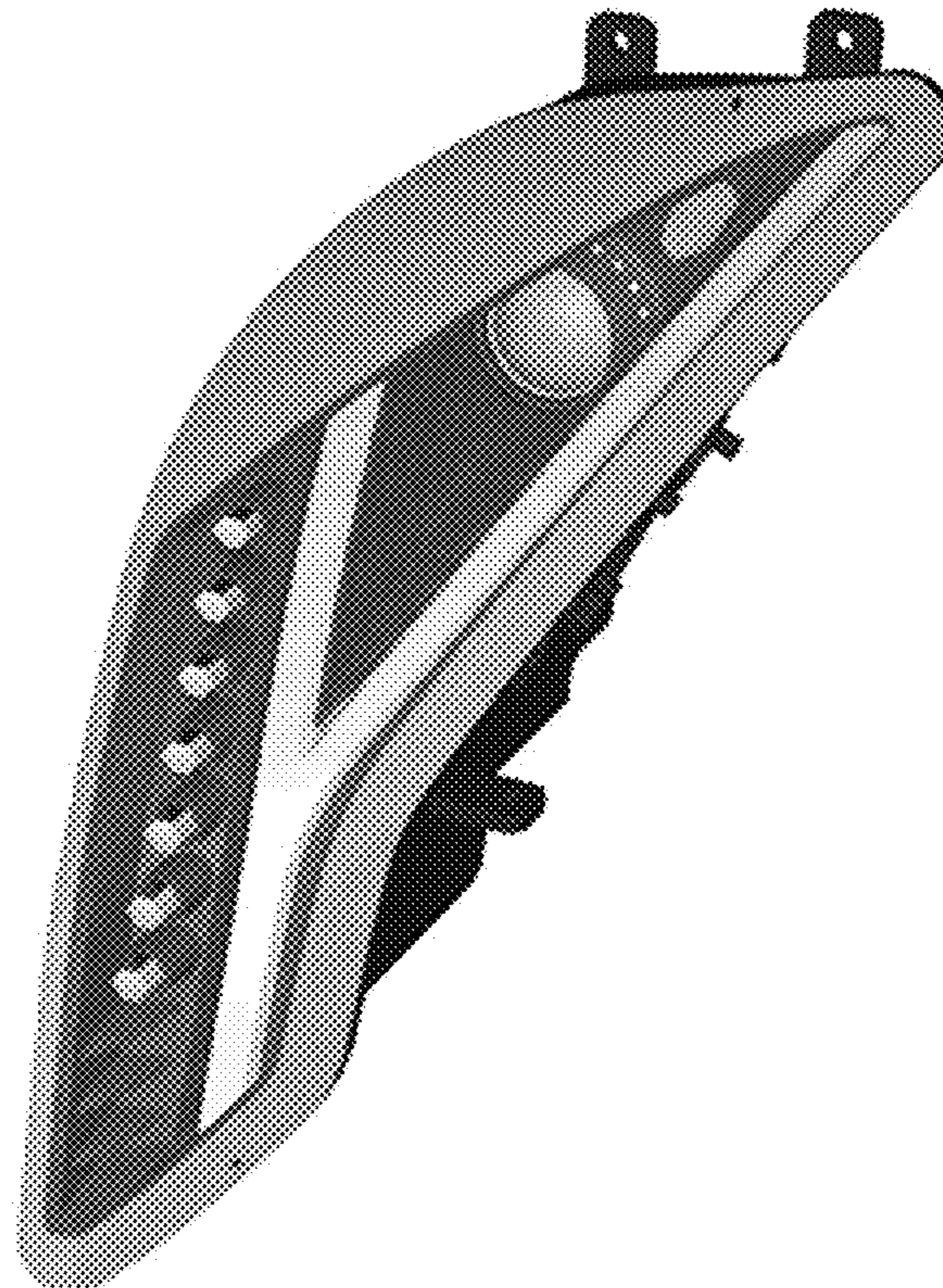
FIG. 5 is a rear view thereof;

FIG. 6 is a top view thereof; and,

FIG. 7 is a bottom view thereof.

See application file for complete search history.

**1 Claim, 7 Drawing Sheets**



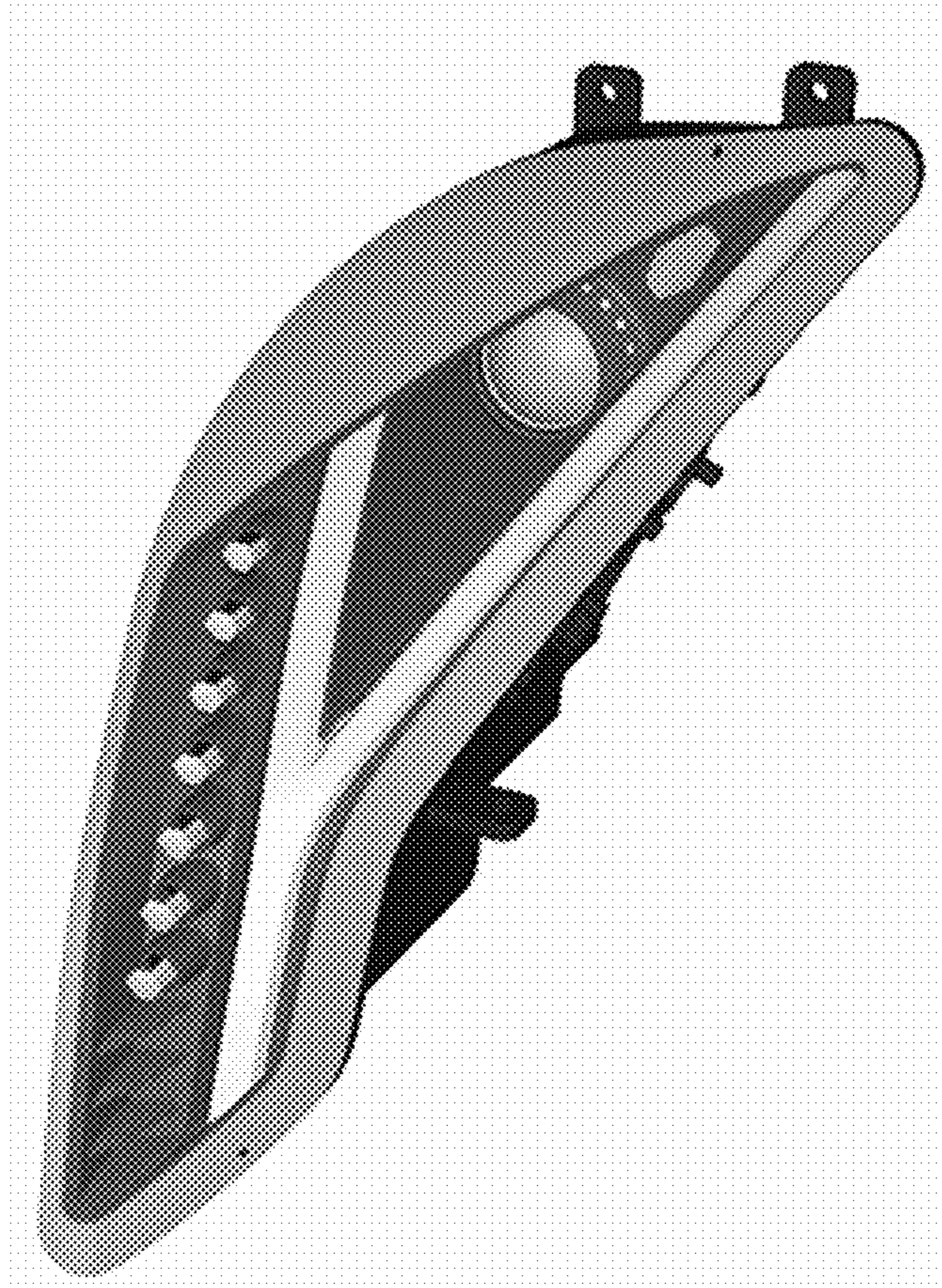


Fig. 1

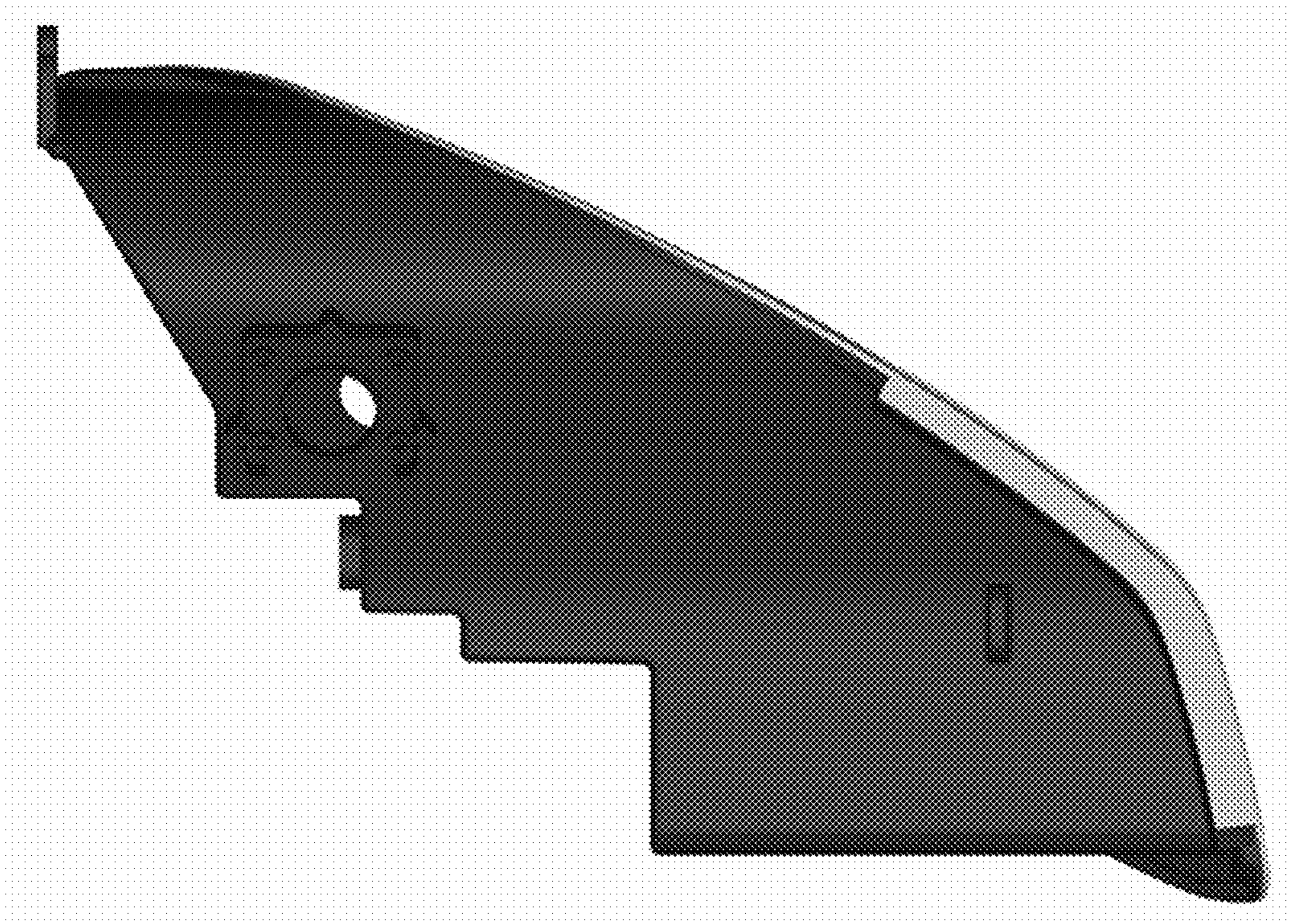


Fig. 2



Fig. 3

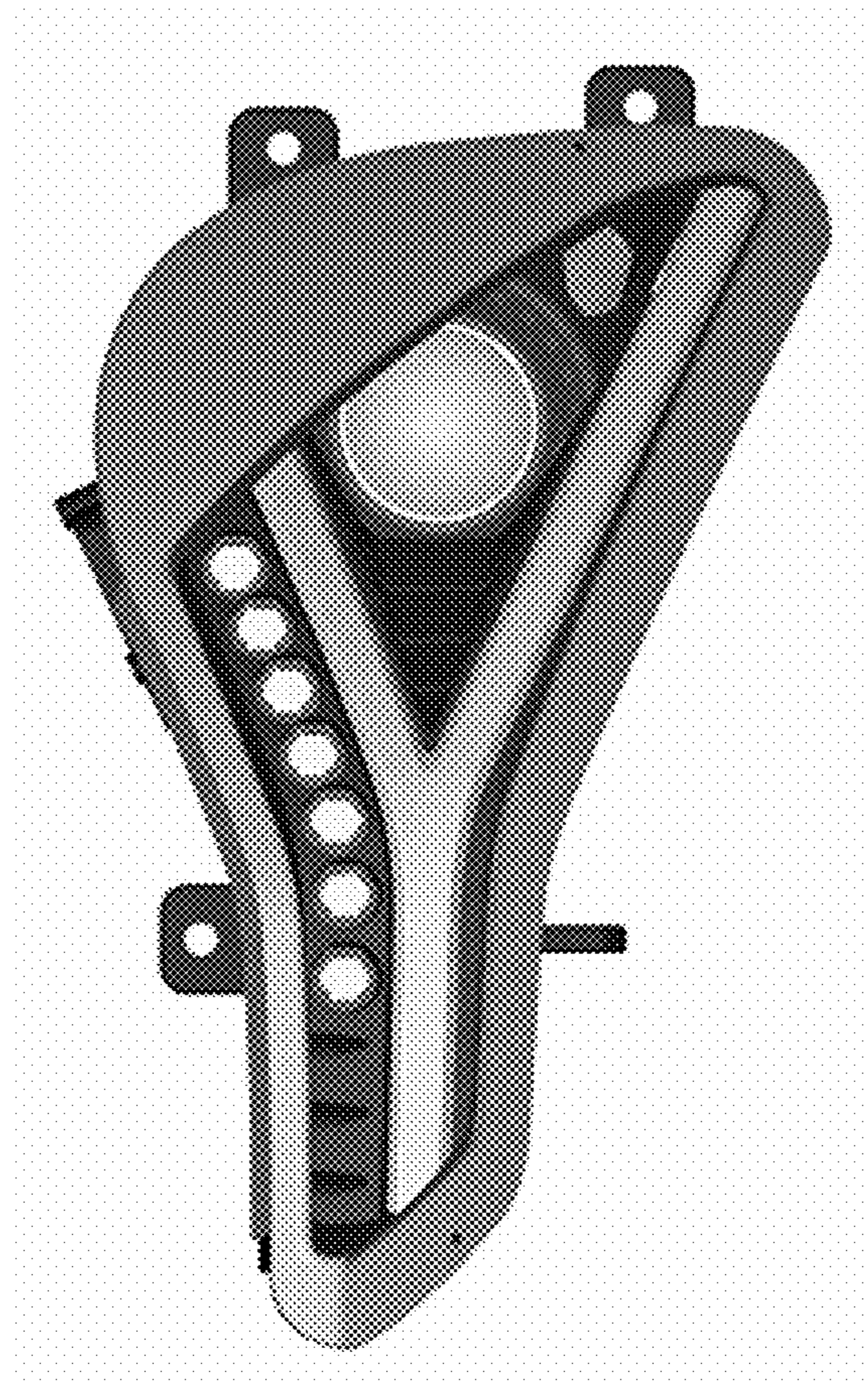


Fig. 4

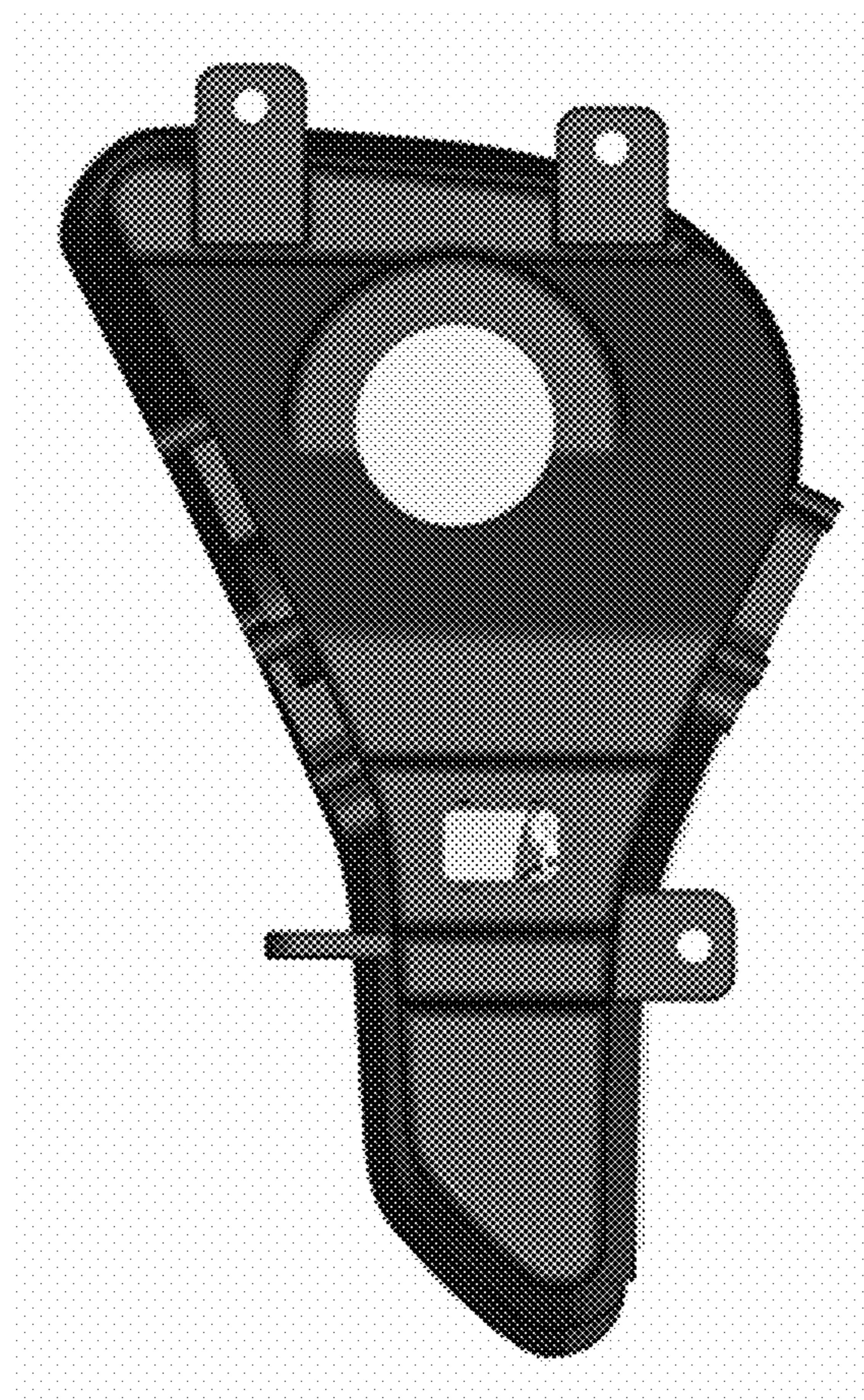
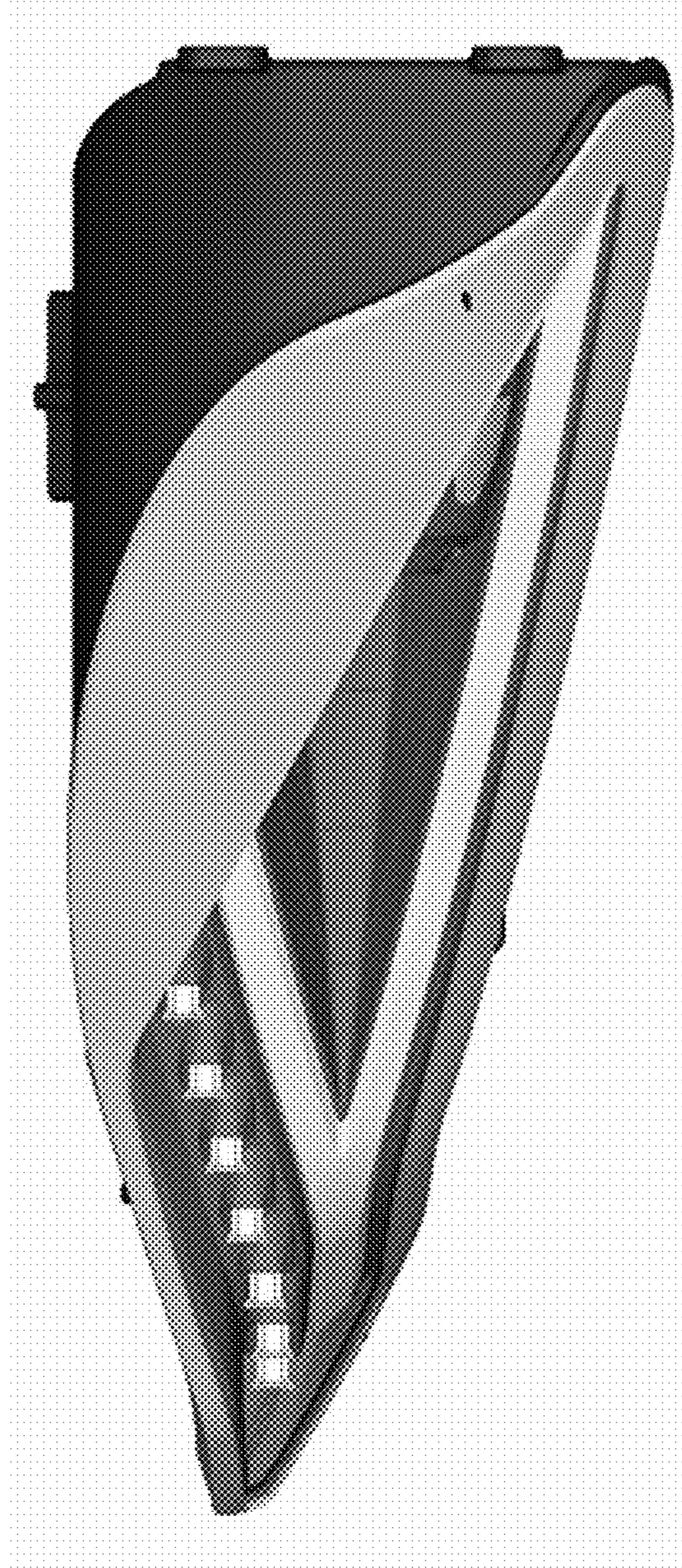


Fig. 5



**Fig. 6**

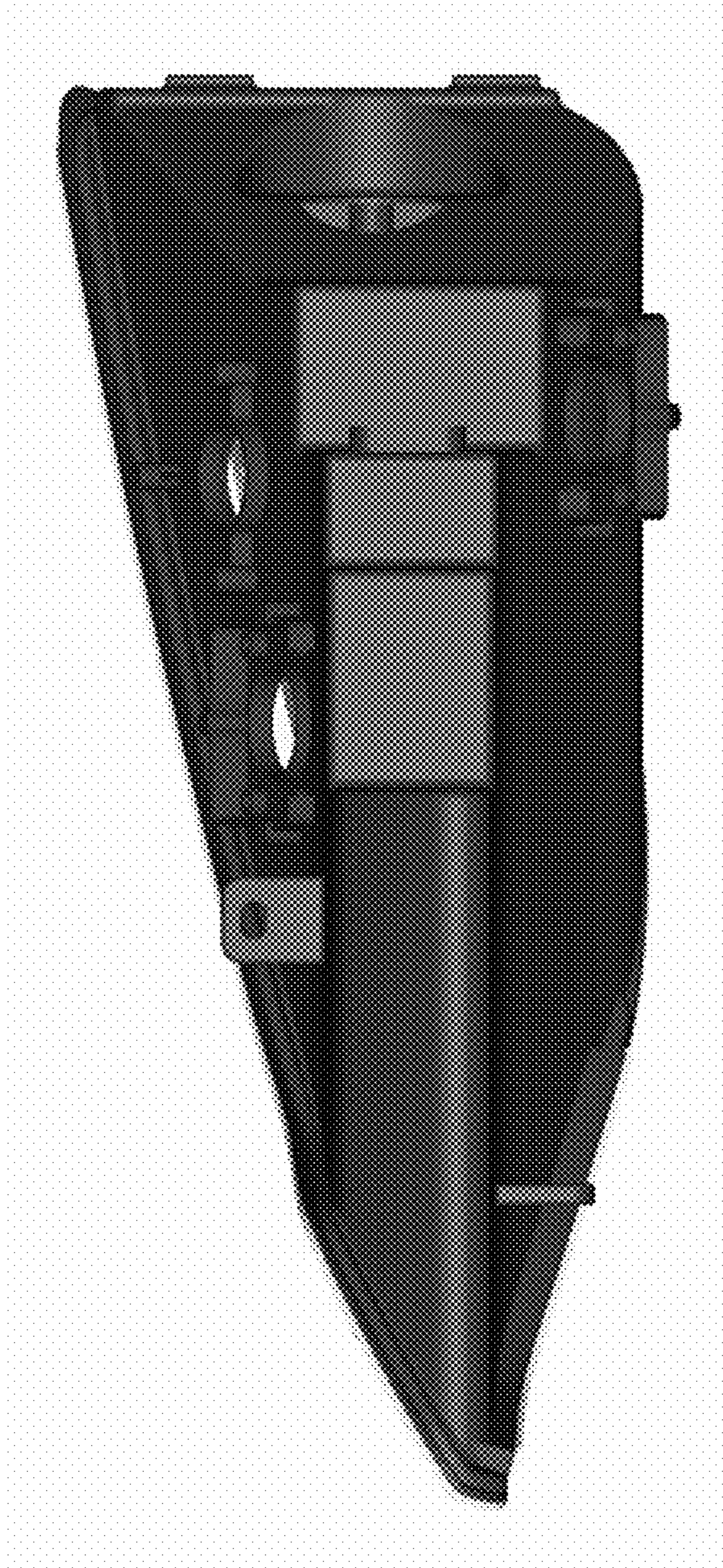


Fig. 7