



US00D717477S

(12) **United States Design Patent**  
**Nakamura et al.**

(10) **Patent No.:** **US D717,477 S**

(45) **Date of Patent:** **\*\* Nov. 11, 2014**

(54) **LIGHT-EMITTING DIODE LAMP**

(71) Applicant: **Panasonic Corporation**, Osaka (JP)

(72) Inventors: **Koichi Nakamura**, Osaka (JP); **Masato Matsumoto**, Osaka (JP); **Kenji Takahashi**, Osaka (JP)

(73) Assignee: **Panasonic Corporation**, Osaka (JP)

(\*\*) Term: **14 Years**

(21) Appl. No.: **29/447,951**

(22) Filed: **Mar. 7, 2013**

(30) **Foreign Application Priority Data**

Nov. 2, 2012 (JP) ..... 2012-026694  
Nov. 2, 2012 (JP) ..... 2012-026695

(51) **LOC (10) Cl.** ..... **26-04**

(52) **U.S. Cl.**  
USPC ..... **D26/3**

(58) **Field of Classification Search**  
USPC ..... D26/1-4; 313/313, 315, 316, 317, 318,  
313/493; 315/52, 53, 56, 57, 58  
See application file for complete search history.

(56) **References Cited**

**U.S. PATENT DOCUMENTS**

D584,429 S \* 1/2009 Pei et al. .... D26/3  
D606,673 S \* 12/2009 Kao ..... D26/3  
D610,724 S \* 2/2010 Chiang et al. .... D26/3  
D611,172 S \* 3/2010 Lin et al. .... D26/3  
D636,504 S \* 4/2011 Duster ..... D26/3  
D662,236 S 6/2012 Matsushita

**FOREIGN PATENT DOCUMENTS**

JP D1347329 12/2008  
JP D1431568 1/2012

\* cited by examiner

*Primary Examiner* — Marcus Jackson

(74) *Attorney, Agent, or Firm* — Panasonic Patent Center

(57) **CLAIM**

We claim the ornamental design for a light-emitting diode lamp, as shown and described.

**DESCRIPTION**

FIG. 1 is a top perspective view of a first embodiment of a light-emitting diode lamp of the present invention;

FIG. 2 is a front view thereof;

FIG. 3 is a rear view thereof;

FIG. 4 is a first side view thereof;

FIG. 5 is a second side view thereof;

FIG. 6 is a top view thereof;

FIG. 7 is a bottom view thereof;

FIG. 8 is a sectional view taken along the line 8-8 of FIG. 2 thereof;

FIG. 9 is a top perspective view of a second embodiment of a light-emitting diode lamp of the present invention;

FIG. 10 is a front view thereof;

FIG. 11 is a rear view thereof;

FIG. 12 is a first side view thereof;

FIG. 13 is a second side view thereof;

FIG. 14 is a top view thereof;

FIG. 15 is a bottom view thereof; and,

FIG. 16 is a sectional view taken along the line 16-16 of FIG. 10 thereof.

The broken line showing of light-emitting diode lamp is included for the purpose of illustrating environment and forms no part of the claimed design.

It is understood that the bracketed portion represents indeterminate length.

**1 Claim, 16 Drawing Sheets**

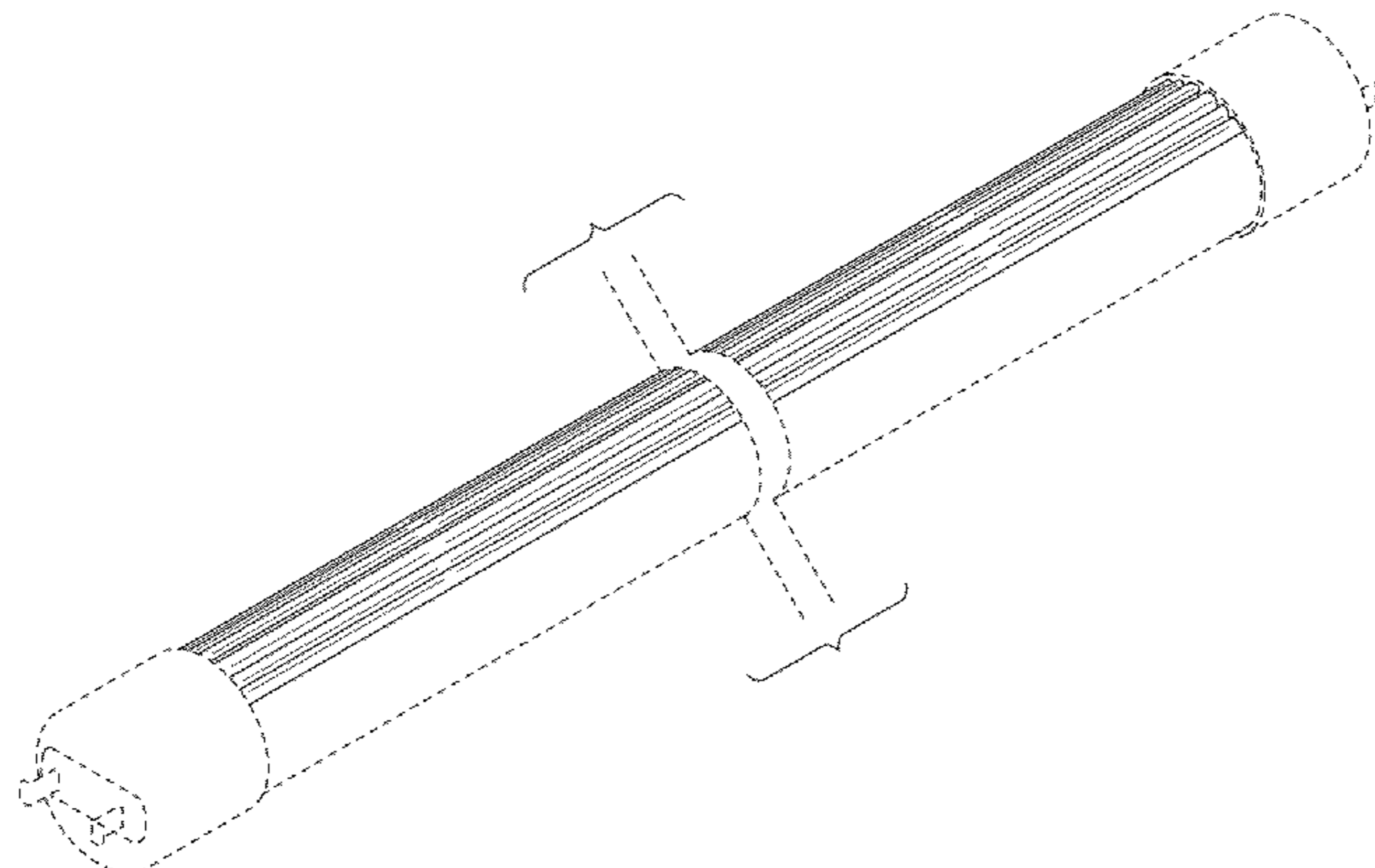


FIG. 1

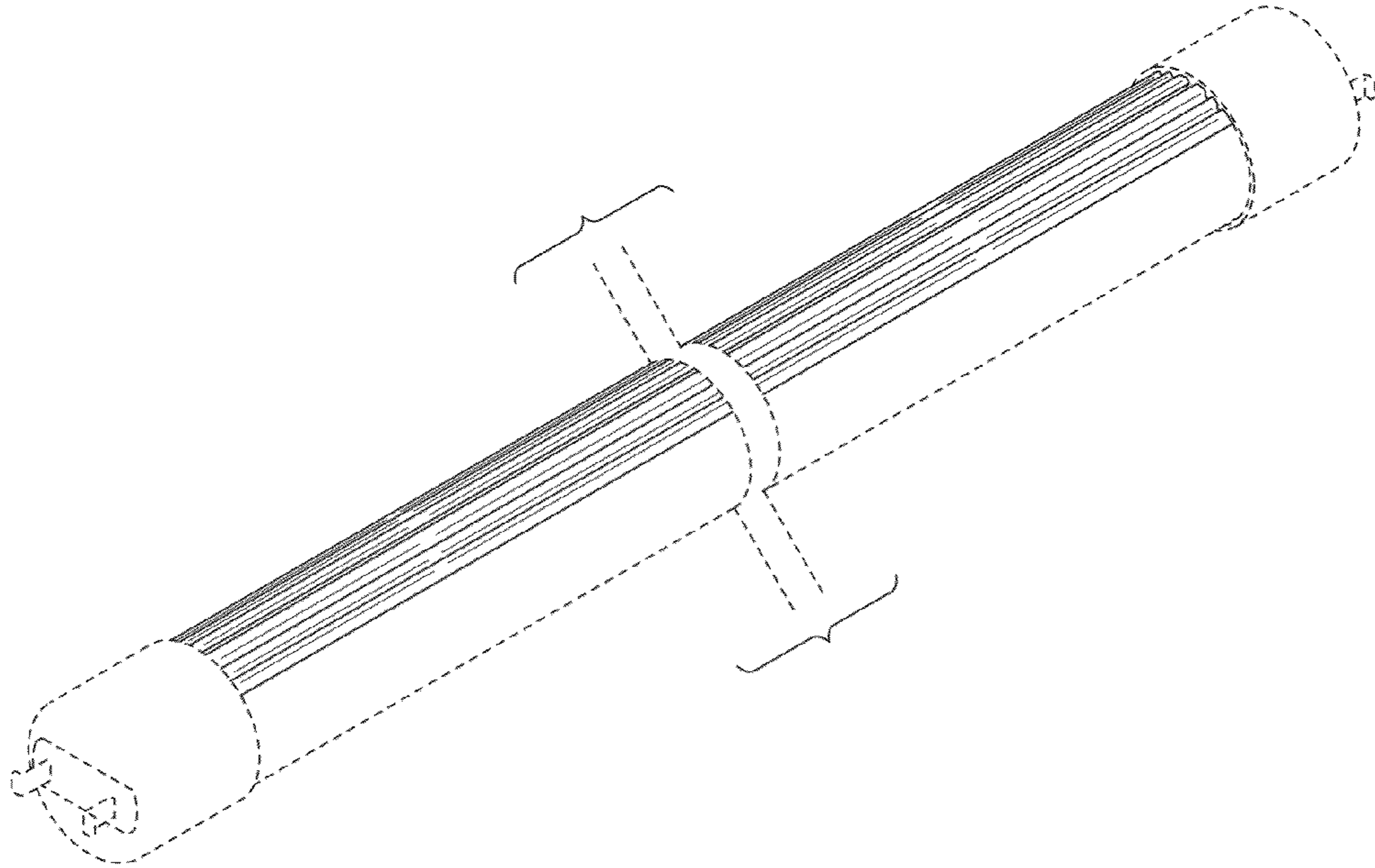


FIG. 2

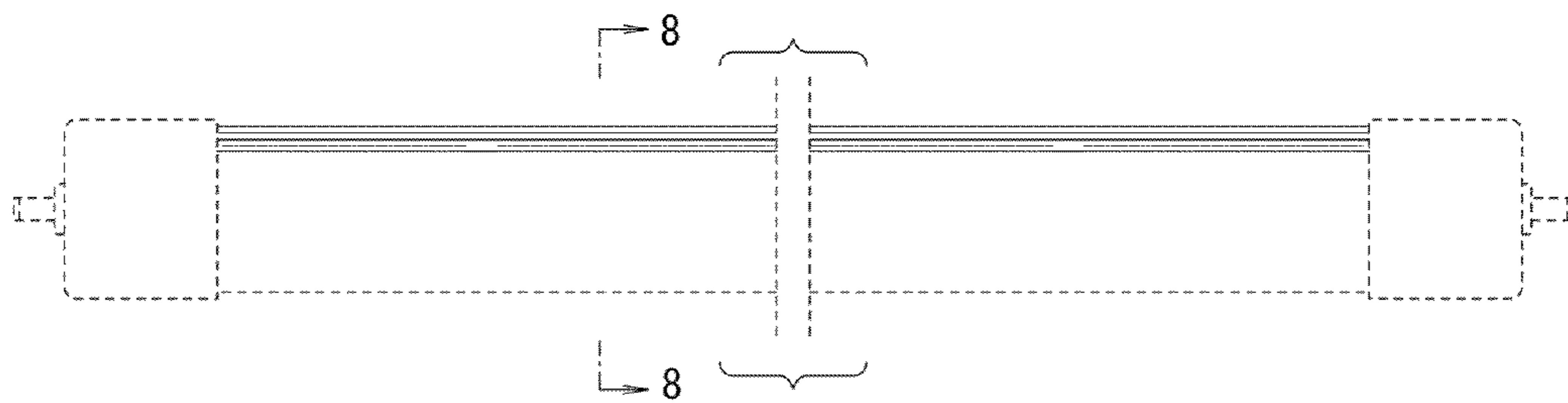


FIG. 3

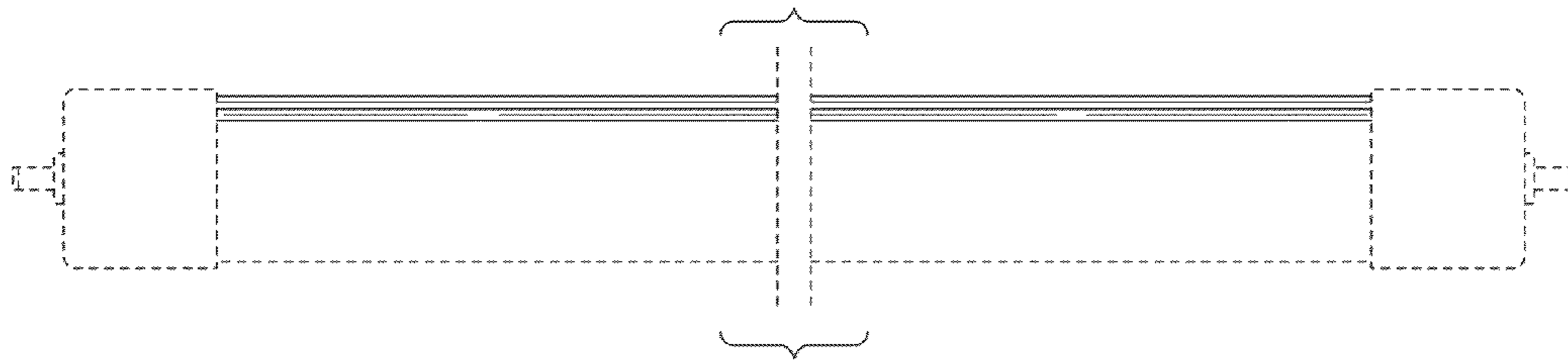


FIG. 4

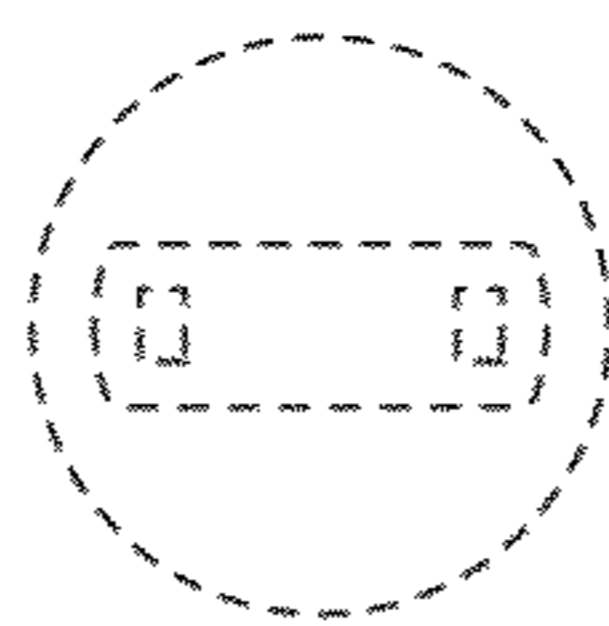


FIG. 5

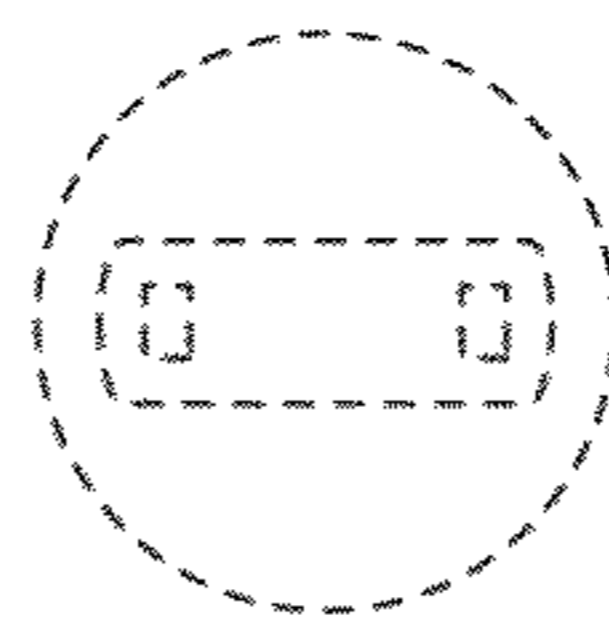


FIG. 6

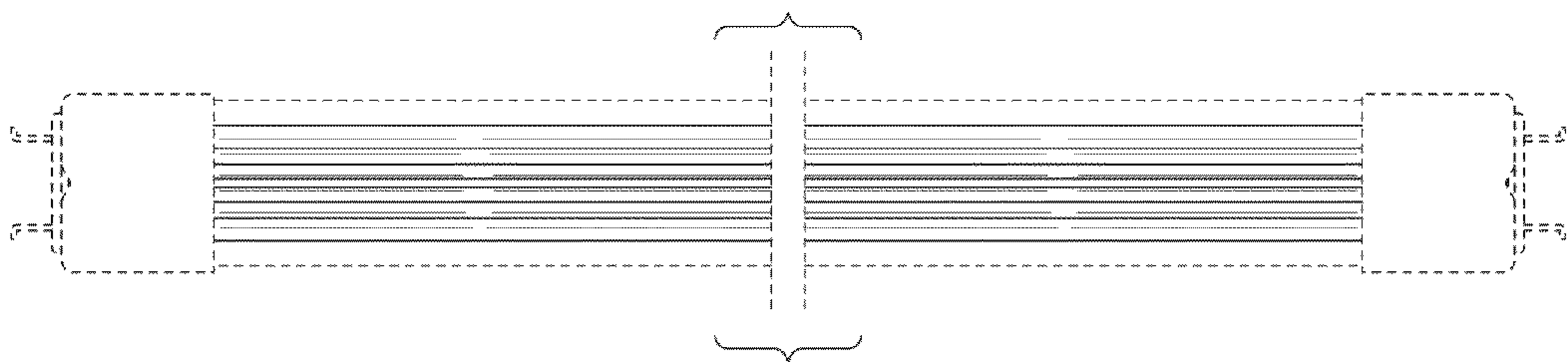


FIG. 7

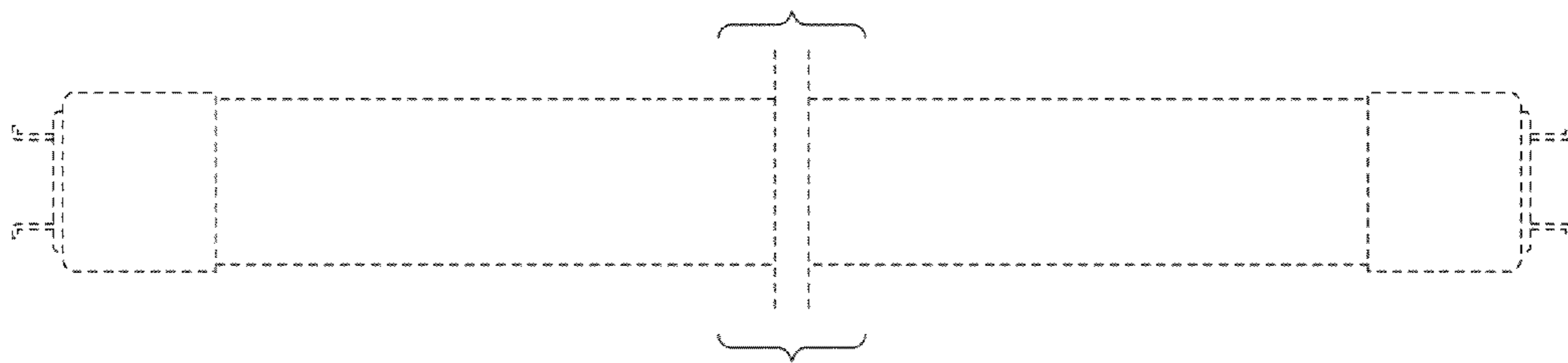




FIG. 8

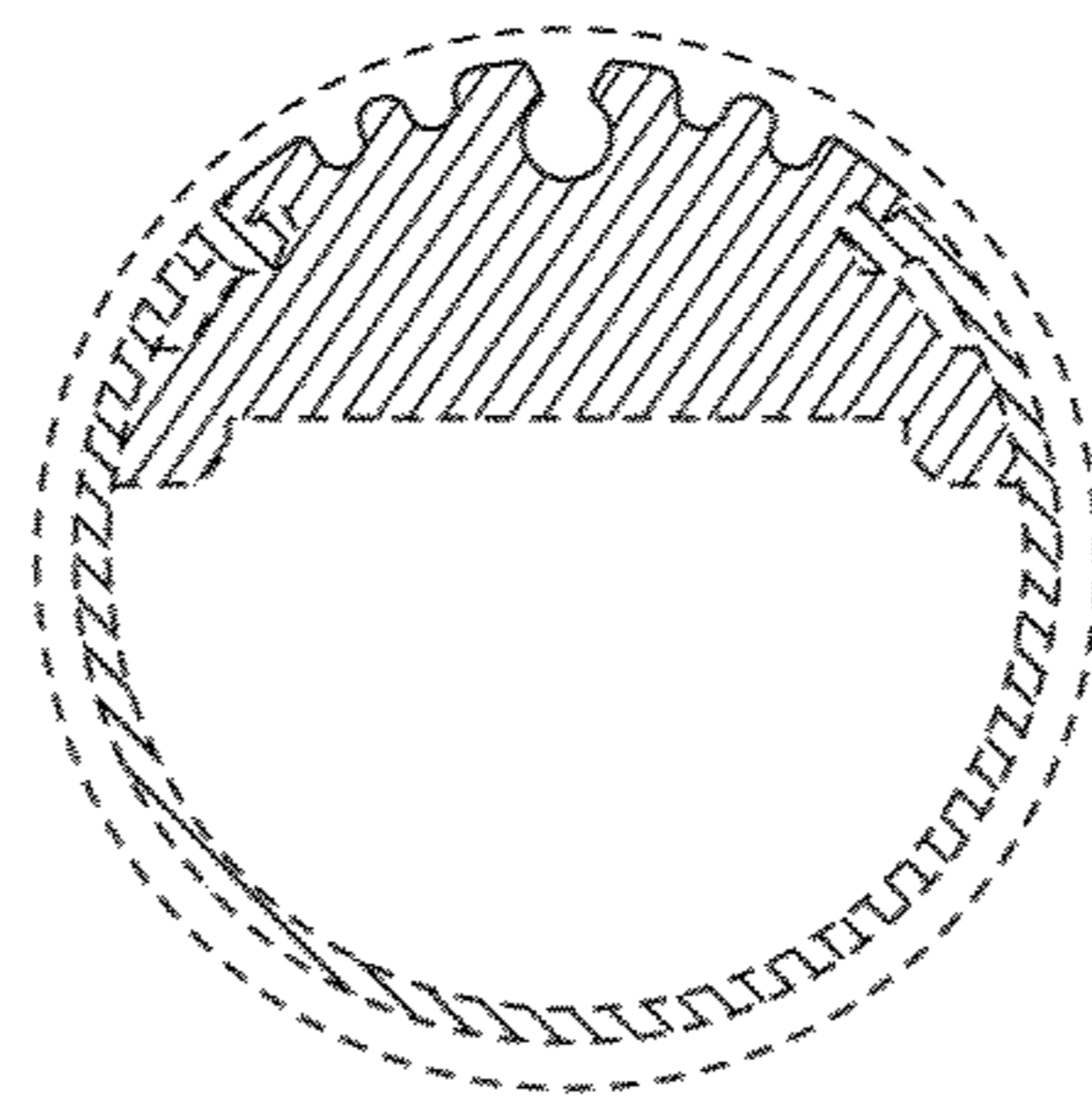


FIG. 9

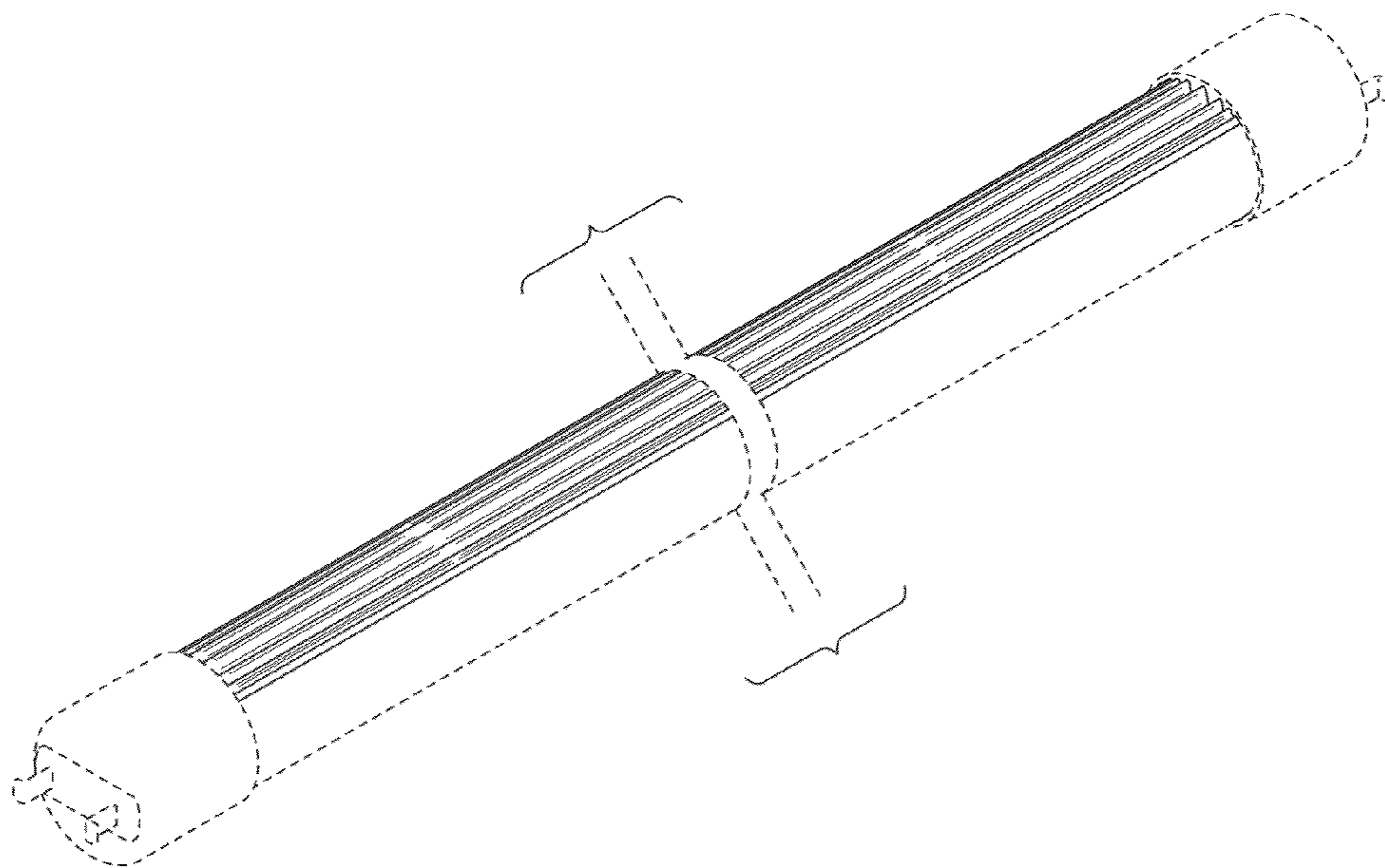


FIG. 10

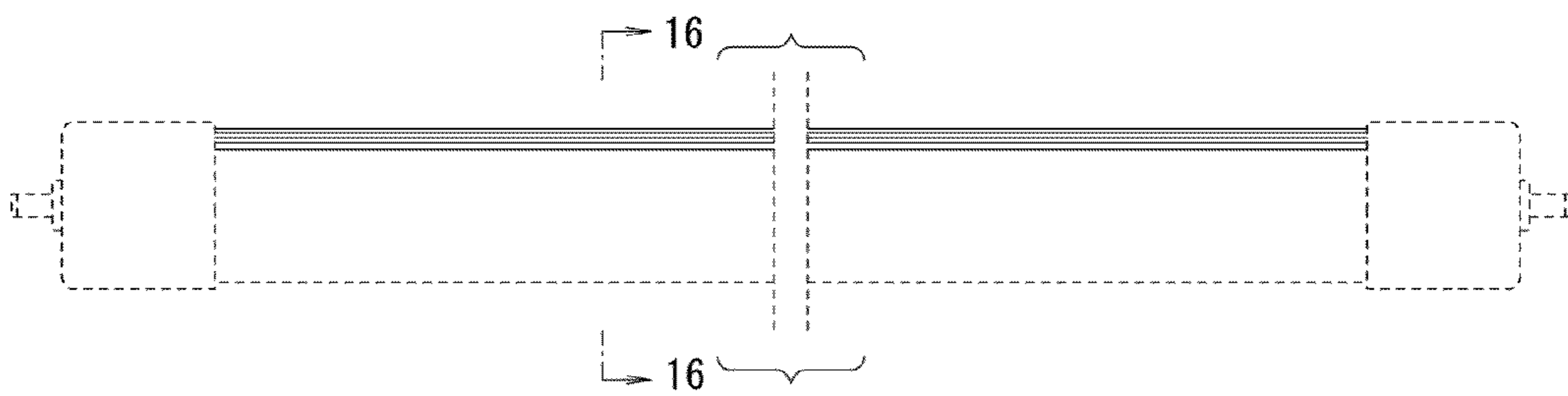


FIG. 11

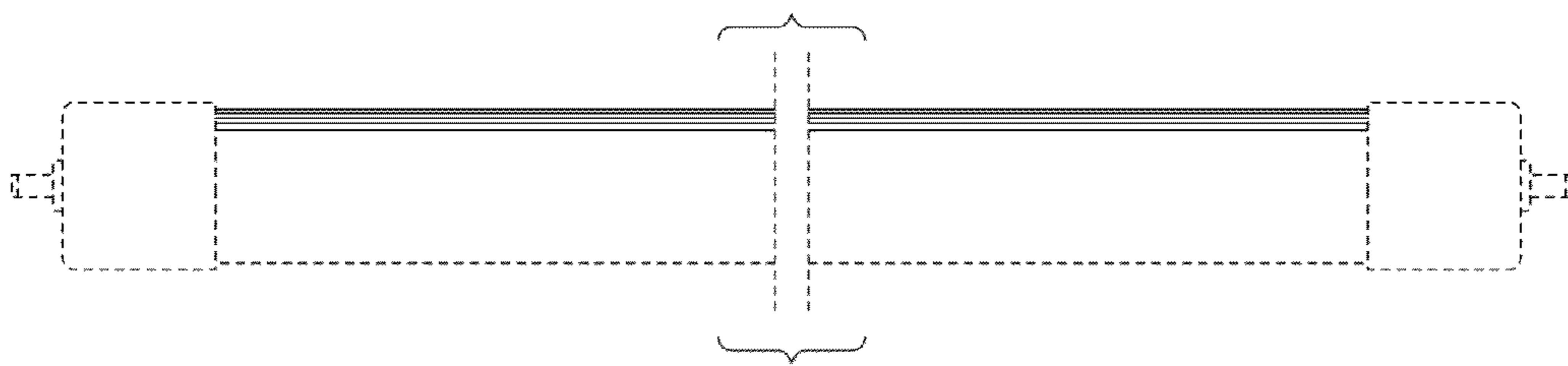


FIG. 12

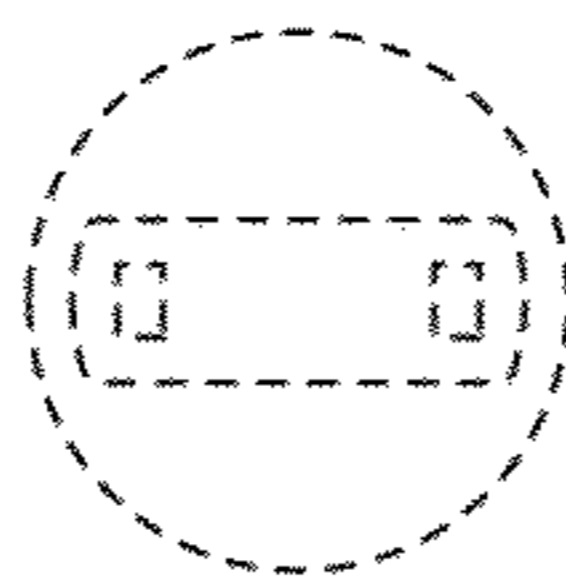


FIG. 13

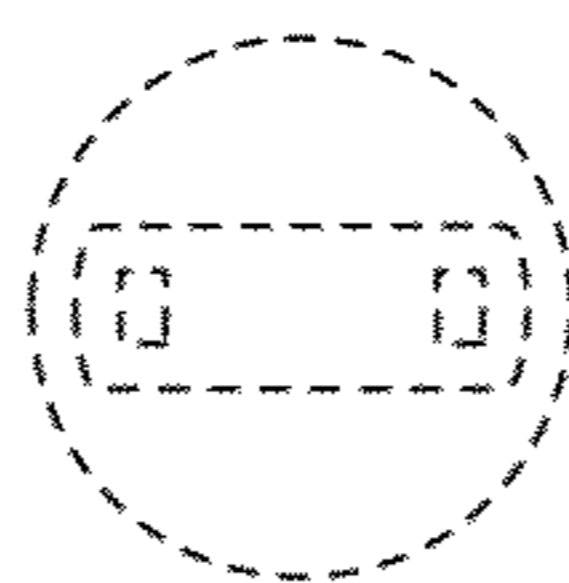


FIG. 14

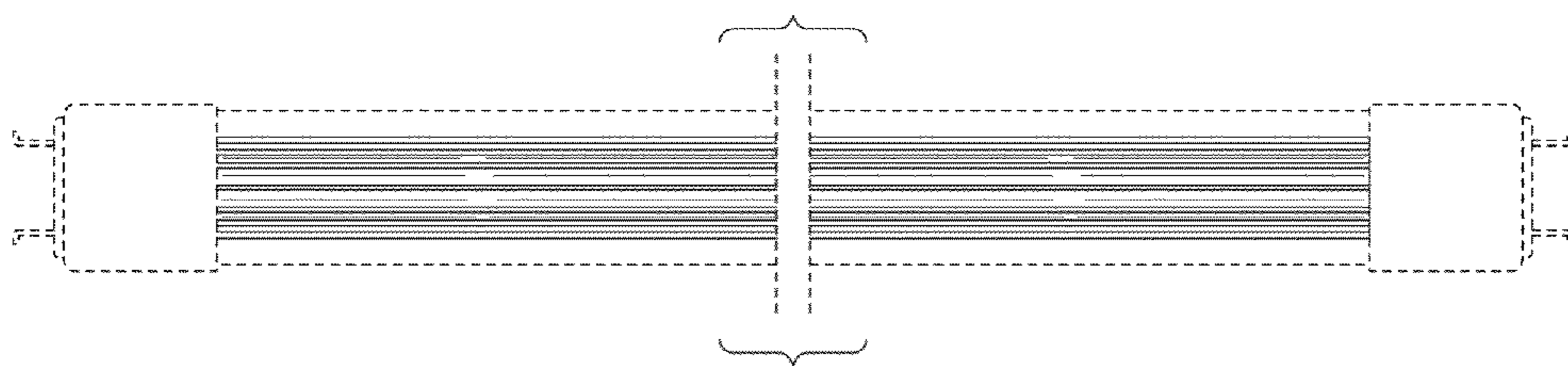


FIG. 15

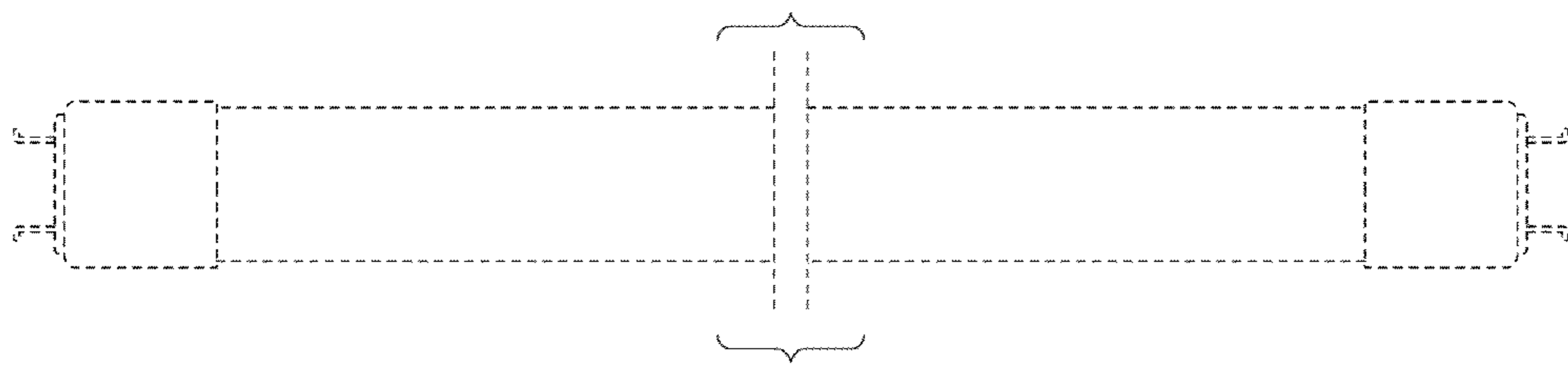




FIG. 16

