



US00D717476S

(12) **United States Design Patent**
Xue et al.

(10) **Patent No.:** **US D717,476 S**
(45) **Date of Patent:** **** Nov. 11, 2014**

(54) **LED LAMP**

(56) **References Cited**

(71) Applicant: **Civilight Shenzhen Semiconductor Lighting Co., Ltd., Shenzhen (CN)**
(72) Inventors: **Xinshen Xue, Shenzhen (CN); Genglin Ding, Shenzhen (CN)**
(73) Assignee: **Civilight Shenzhen Semiconductor Lighting Co., Ltd., Shenzhen (CN)**

U.S. PATENT DOCUMENTS

D542,943	S	*	5/2007	Wang	D26/2
D544,110	S	*	6/2007	Hooker et al.	D26/2
D546,980	S	*	7/2007	Lo	D26/2
D547,886	S	*	7/2007	Foo	D26/2
D549,854	S	*	8/2007	Takahashi	D26/2
D566,300	S	*	4/2008	Lo	D26/2
D582,579	S	*	12/2008	Tsai et al.	D26/2

* cited by examiner

(**) Term: **14 Years**
(21) Appl. No.: **29/457,046**
(22) Filed: **Jun. 6, 2013**

Primary Examiner — Marcus Jackson
(74) *Attorney, Agent, or Firm* — Hamre, Schumann, Mueller & Larson, P.C.

(30) **Foreign Application Priority Data**

Dec. 6, 2012 (CN) 2012 3 0605571

(51) **LOC (10) Cl.** **26-04**
(52) **U.S. Cl.**
USPC **D26/2**

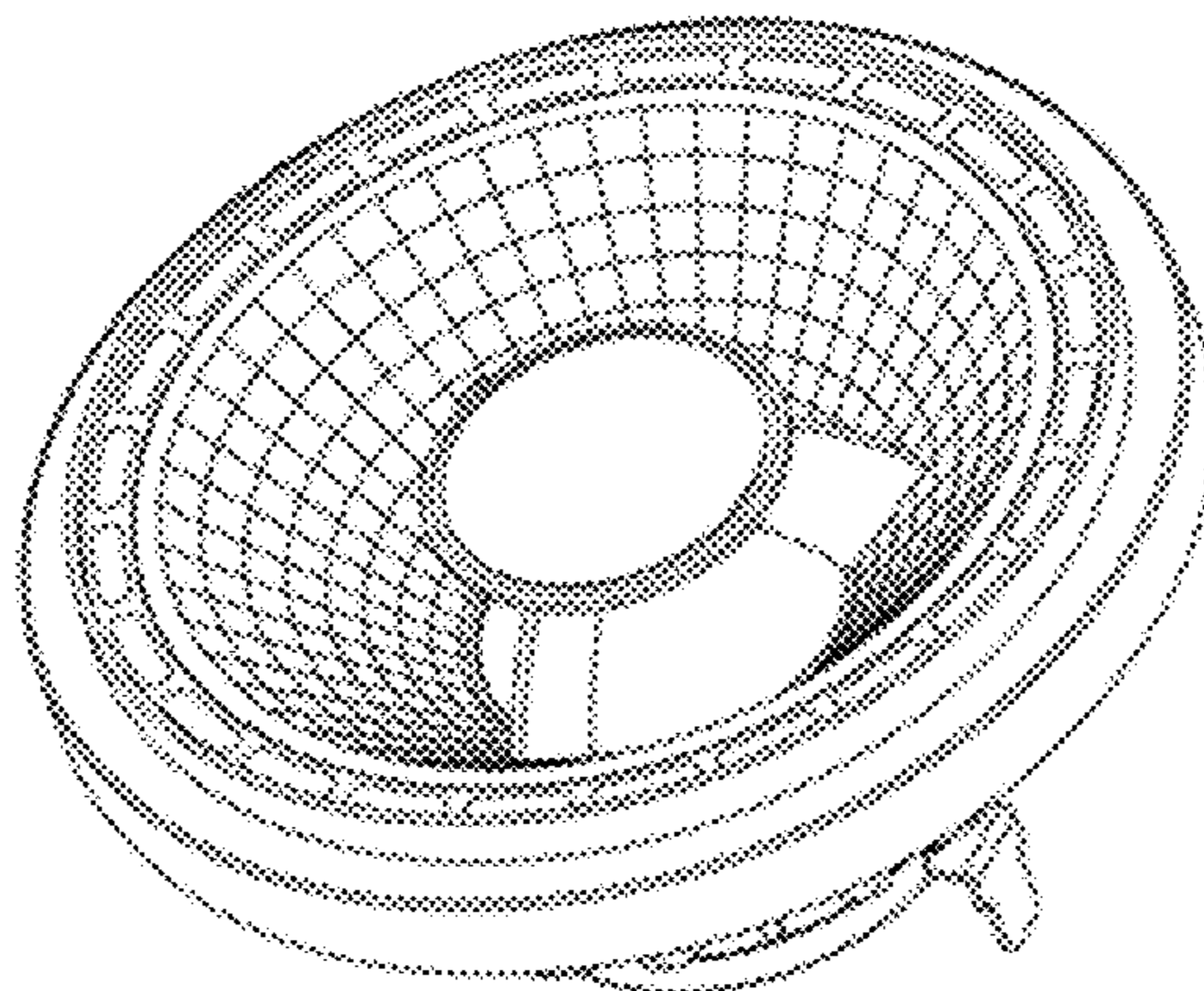
(58) **Field of Classification Search**
USPC D26/1-4; 313/313, 315, 316, 317, 318,
313/493; 315/52, 53, 56, 57, 58
See application file for complete search history.

(57) **CLAIM**
The ornamental design for an “LED lamp,” as shown and described.

DESCRIPTION

FIG. 1 is a perspective view of the LED lamp;
FIG. 2 is a front view of the LED lamp; and a rear view is not shown since it is symmetrical with the front view;
FIG. 3 is a right side view of the LED Lamp; and a left side view is not shown since it is symmetrical with the right side view;
FIG. 4 is a top view of the LED Lamp; and,
FIG. 5 is a bottom view of the LED Lamp.

1 Claim, 2 Drawing Sheets



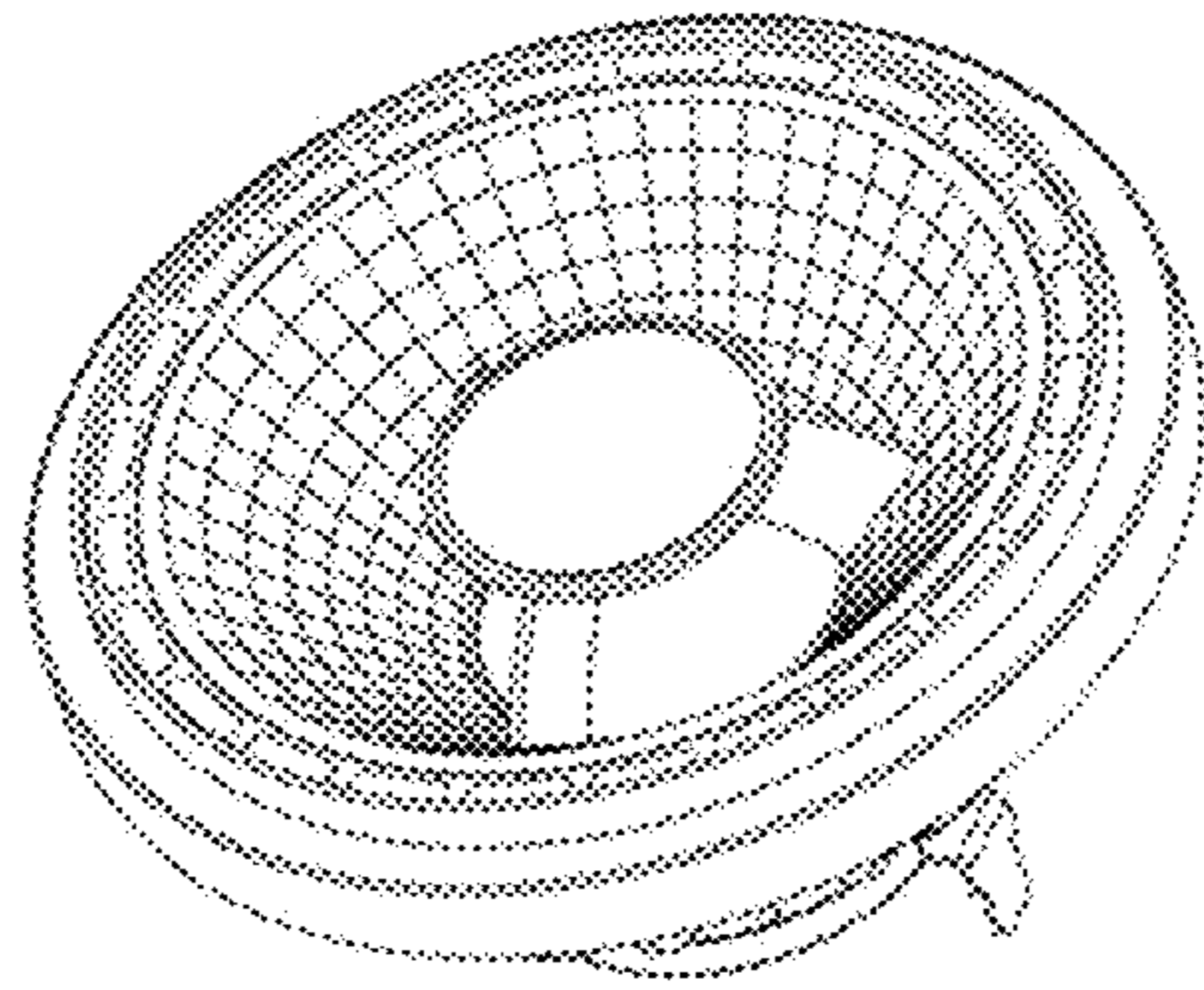


Fig.1

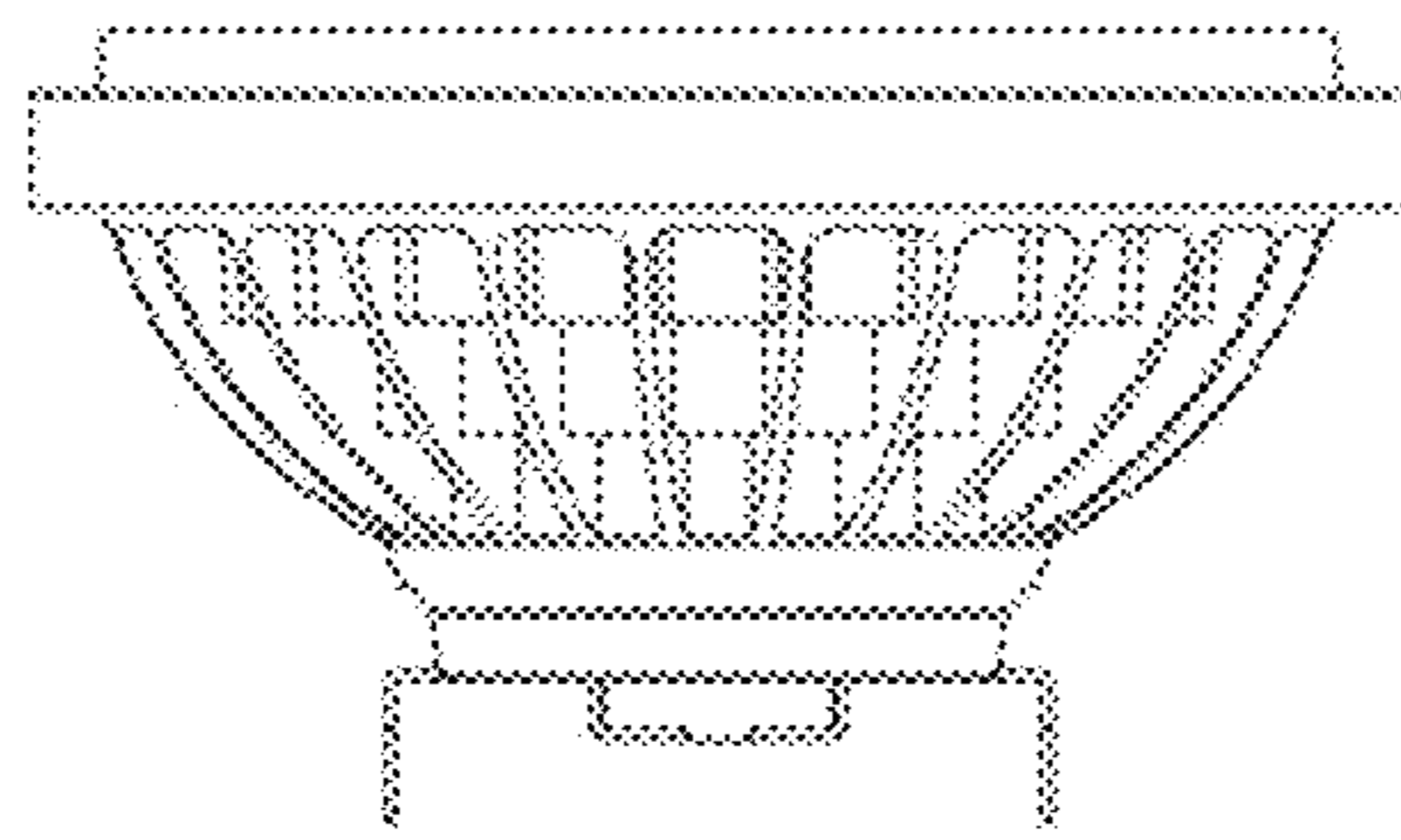


Fig.2

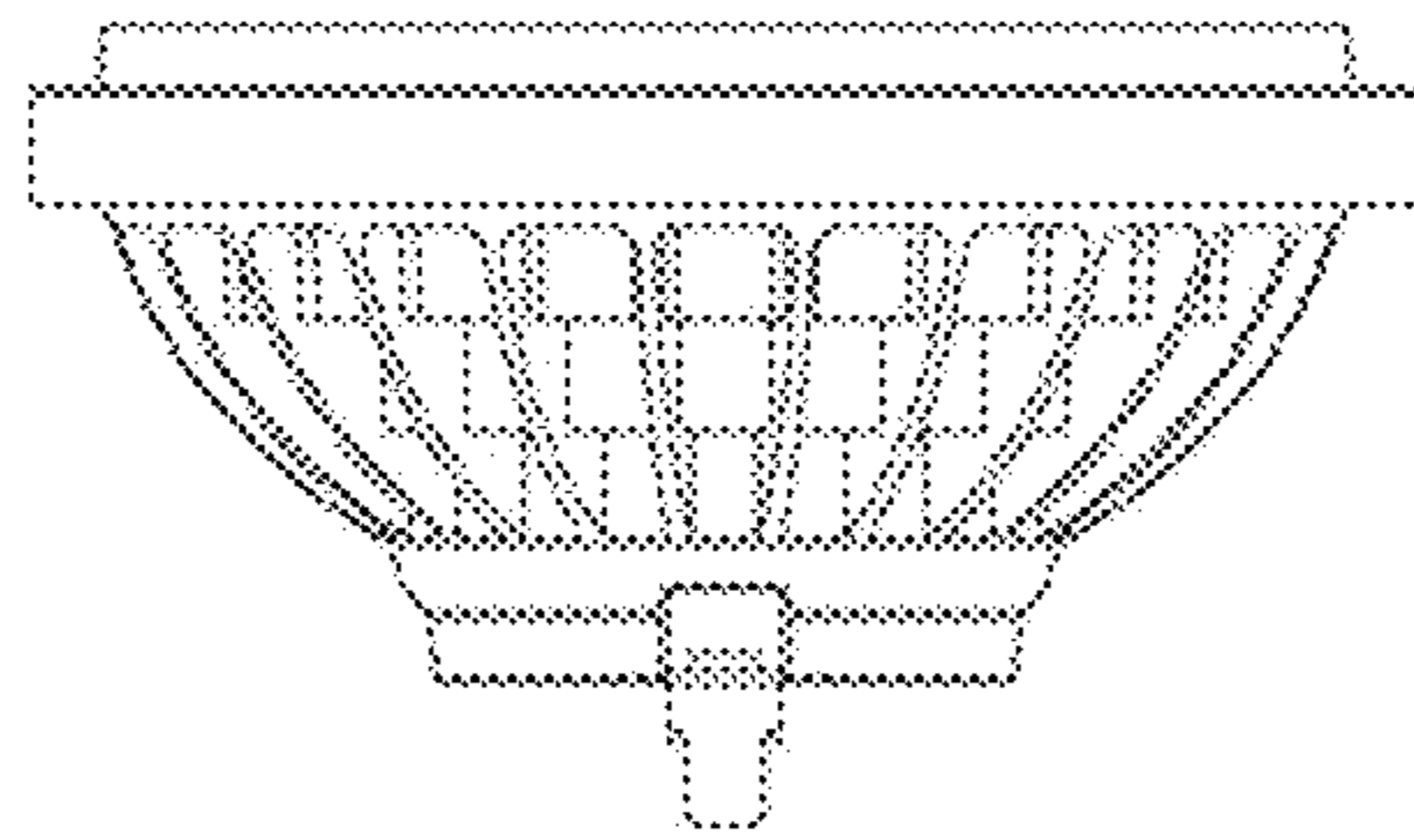


Fig.3

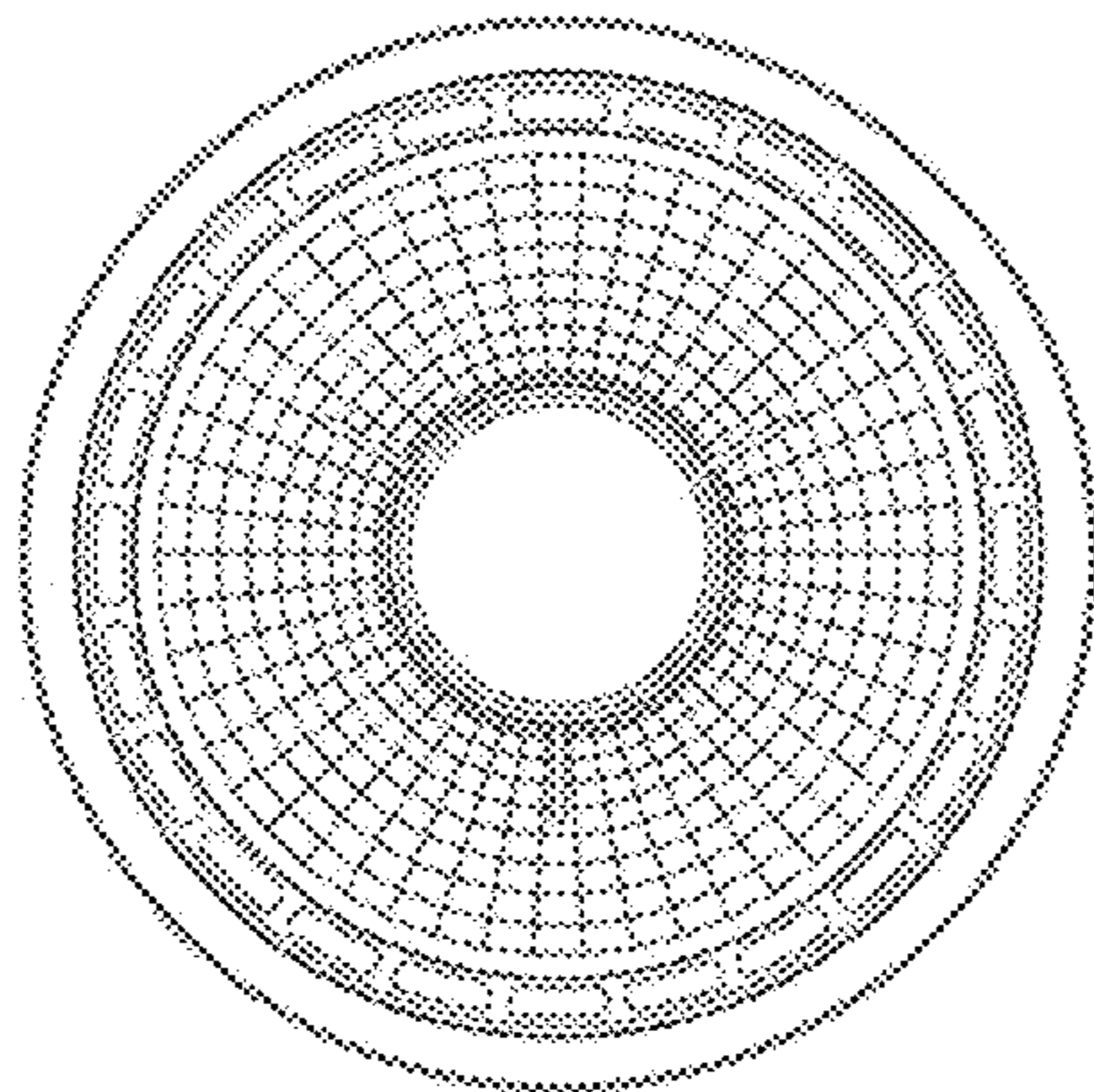


Fig.4

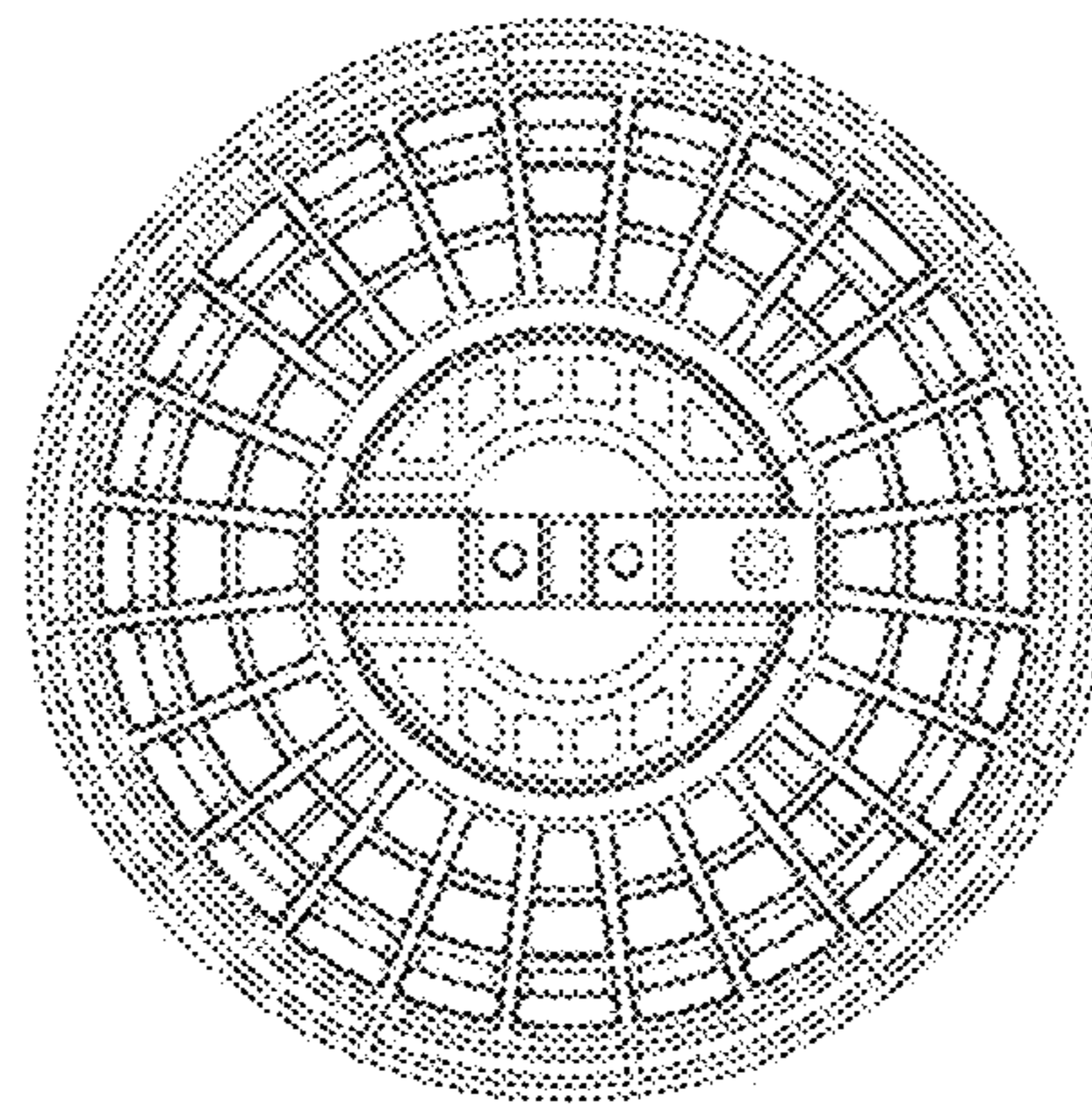


Fig.5