



US00D717473S

(12) **United States Design Patent**
Green

(10) **Patent No.:** **US D717,473 S**

(45) **Date of Patent:** **** Nov. 11, 2014**

(54) **WALL PANEL TRIM**

(71) Applicant: **Krueger International, Inc.**, Green Bay, WI (US)

(72) Inventor: **Shawn D. Green**, Green Bay, WI (US)

(73) Assignee: **Krueger International, Inc.**, Green Bay, WI (US)

(**) Term: **14 Years**

(21) Appl. No.: **29/456,136**

(22) Filed: **May 29, 2013**

(51) **LOC (10) Cl.** **25-01**

(52) **U.S. Cl.**
USPC **D25/119**

(58) **Field of Classification Search**
USPC 52/241, 211, 242, 244, 262, 263, 287.1,
52/290, 312, 800.1, 800.11, 716.1;
D25/119, 136

See application file for complete search history.

(56) **References Cited**

U.S. PATENT DOCUMENTS

2,766,855	A *	10/1956	Johnson et al.	52/126.3
3,217,452	A *	11/1965	Steele	52/242
3,228,160	A *	1/1966	O'Brien	52/242
3,831,334	A *	8/1974	Rutkowski et al.	52/288.1
D248,327	S *	6/1978	South	D25/119
D332,149	S *	12/1992	Bartlett	D25/136
6,189,276	B1 *	2/2001	Pinto et al.	52/288.1
6,279,278	B1 *	8/2001	Morris et al.	52/239
D479,008	S *	8/2003	Krieger	D25/136
6,751,915	B2 *	6/2004	Crowley	52/311.2
6,910,307	B1 *	6/2005	Maurer	52/287.1

D529,196	S *	9/2006	Folliard	D25/119
7,370,453	B2 *	5/2008	Puzio	52/287.1
D586,004	S *	2/2009	Sauter et al.	D25/119
7,870,697	B2 *	1/2011	Galas	52/211
D641,499	S *	7/2011	Turner	D25/119
D649,263	S *	11/2011	Brabeck et al.	D25/119
8,516,758	B2 *	8/2013	Vaes et al.	52/287.1
8,733,042	B2 *	5/2014	Daniocek et al.	52/287.1
2001/0032432	A1 *	10/2001	Paxton et al.	52/311.2
2004/0168384	A1 *	9/2004	Wesolowska	52/287.1
2007/0039257	A1 *	2/2007	LeBlanc et al.	52/211
2007/0277473	A1 *	12/2007	Richardson	52/716.1
2010/0281798	A1 *	11/2010	Sondermann	52/288.1
2010/0325983	A1 *	12/2010	Schiedegger et al.	52/211

* cited by examiner

Primary Examiner — Doris Clark

(74) *Attorney, Agent, or Firm* — Andrus Intellectual Property Law, LLP

(57) **CLAIM**

The ornamental design for a wall panel trim, as shown and described.

DESCRIPTION

FIG. 1 is a front isometric view of wall panel trim incorporating my new design;
FIG. 2 is an enlarged front perspective view of FIG. 1;
FIG. 3 is a front elevation view thereof;
FIG. 4 is a right side elevation view thereof, wherein the left side elevation view is identical thereto;
FIG. 5 is a top plan view thereof; and,
FIG. 6 is a bottom plan view thereof.
The broken lines shown in the drawing Figures are meant to illustrate environment and form no part of the claimed design.

1 Claim, 4 Drawing Sheets



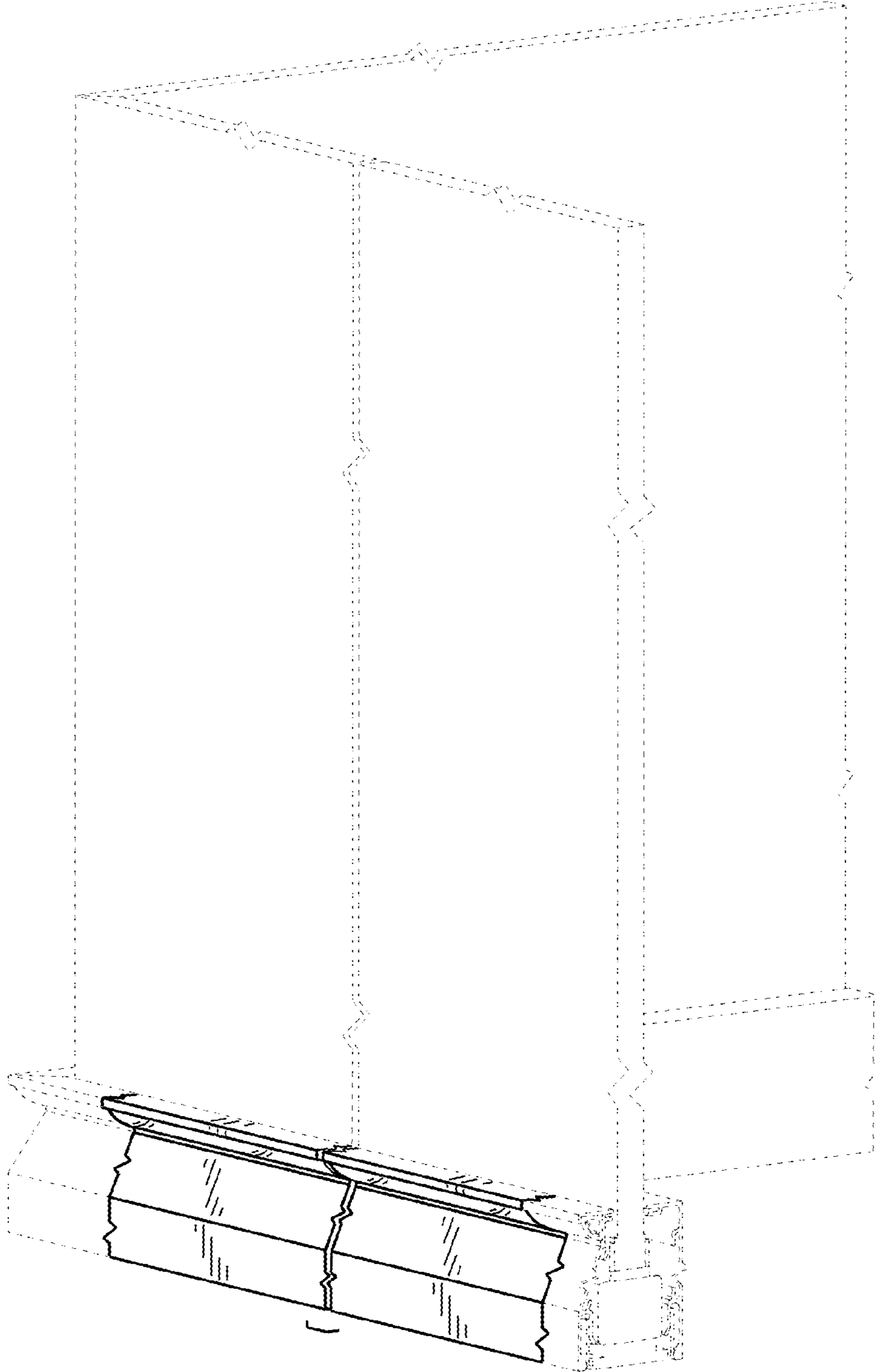


FIG. 1

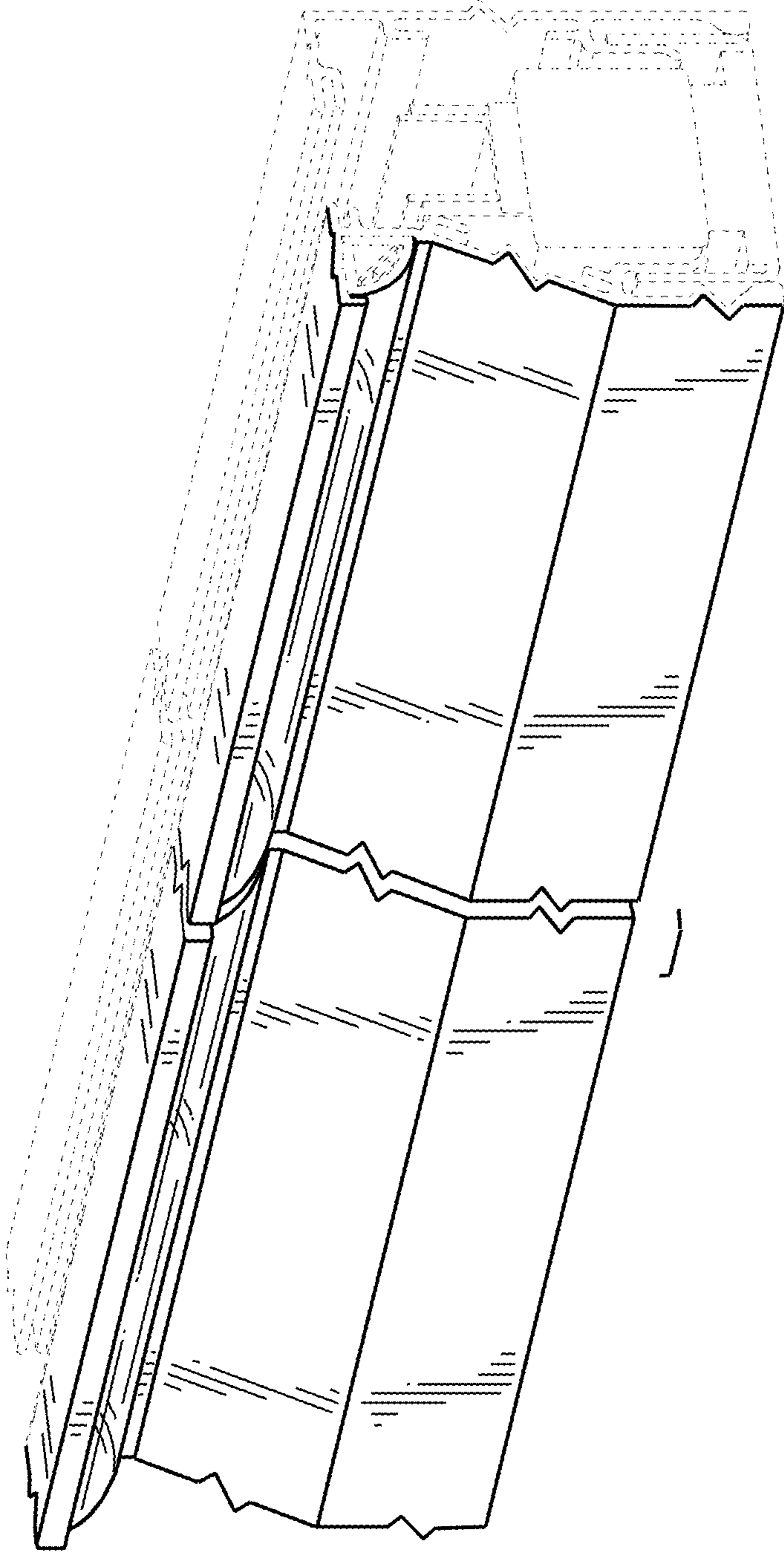


FIG. 2

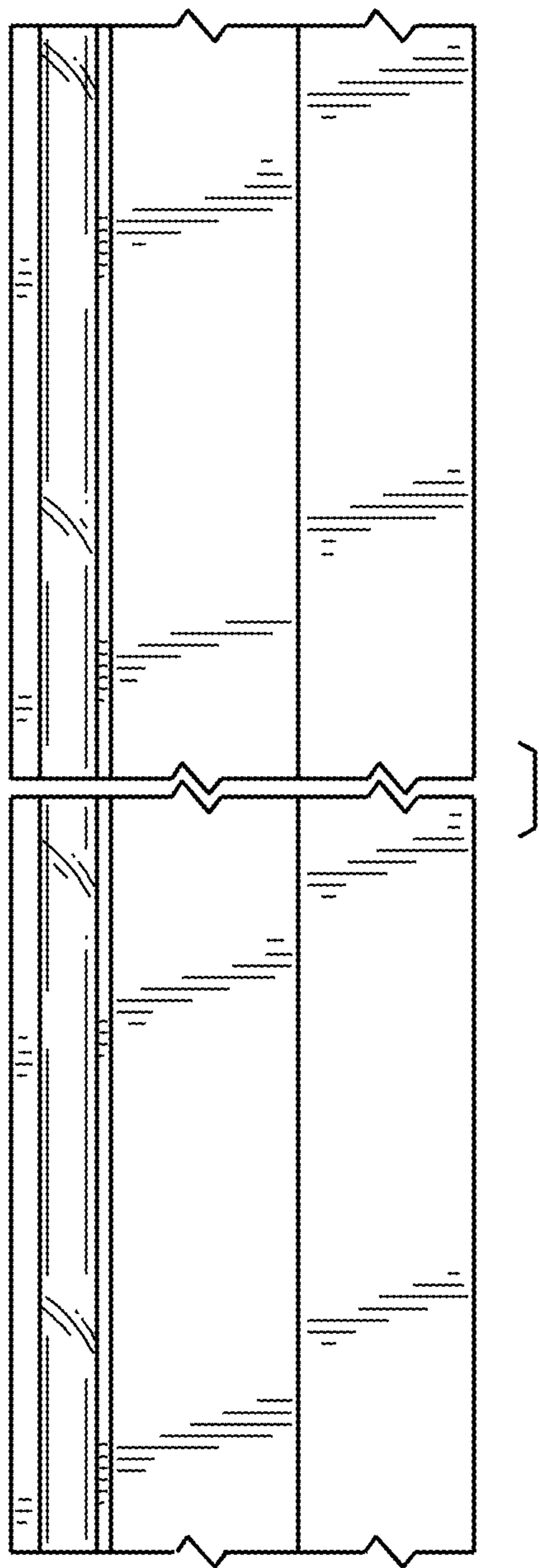


FIG. 3

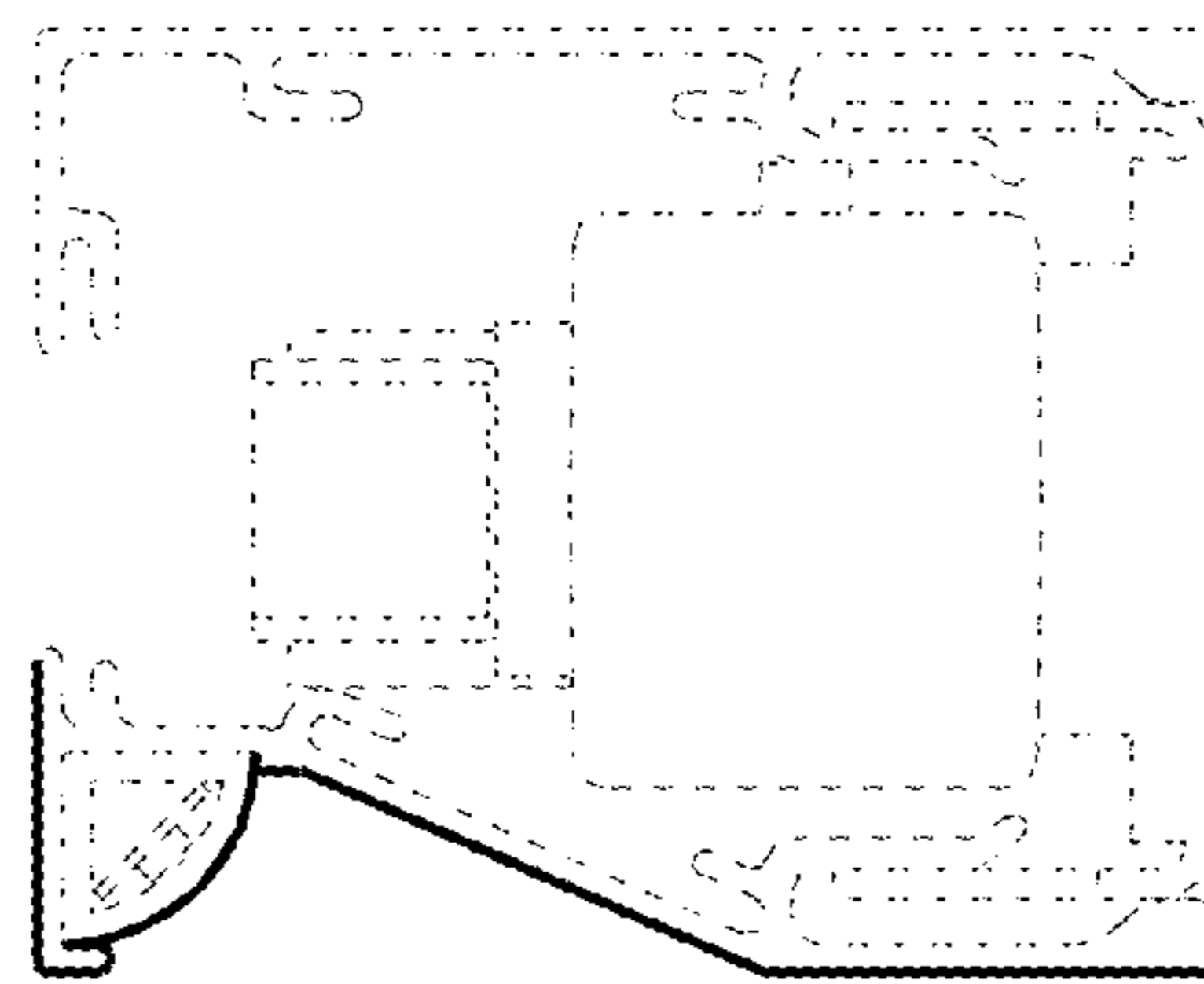


FIG. 4

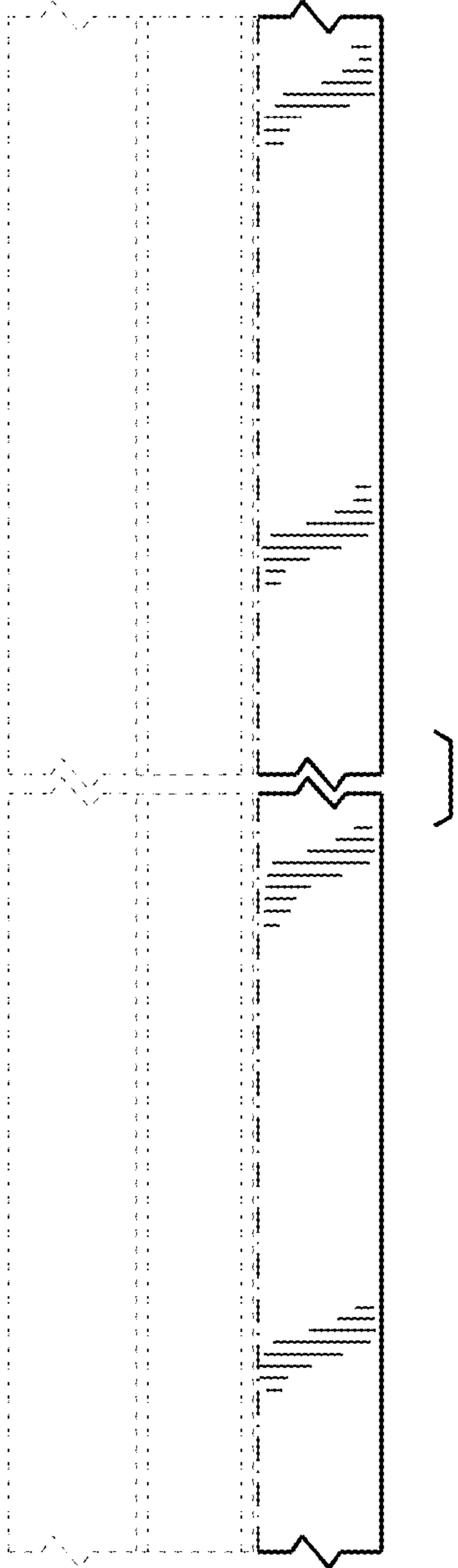


FIG. 5

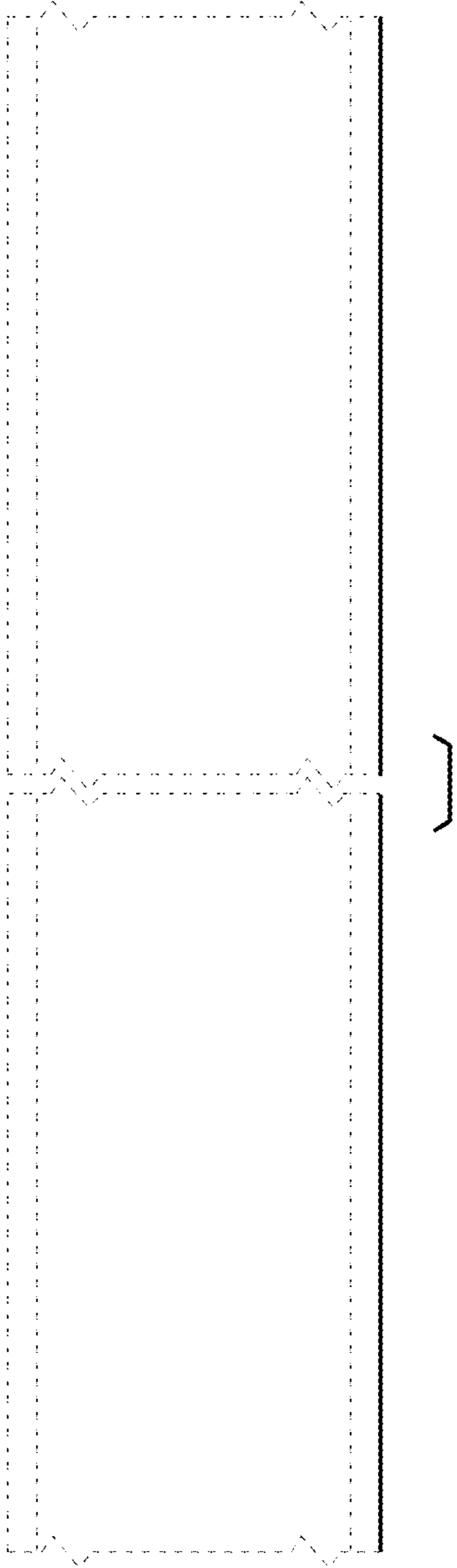


FIG. 6