



US00D717472S

(12) **United States Design Patent**  
**Indio da Costa et al.**

(10) **Patent No.:** **US D717,472 S**  
(45) **Date of Patent:** **\*\* Nov. 11, 2014**

(54) **BUS SHELTER**

USPC ..... D25/56; 135/90, 97; 136/251; 52/173.3,  
52/36.2, 73, 79.1, 28, 36.1  
See application file for complete search history.

(71) Applicant: **Odebrecht Transport Participações**  
S/A, São Paulo (BR)

(56) **References Cited**

(72) Inventors: **Luiz Eduardo Indio da Costa**, Rio de Janeiro (BR); **Luiz Augusto de Siqueira Índio da Costa**, Rio de Janeiro (BR); **Till Pupak**, Rio de Janeiro (BR); **Marcos Lima Nogueira Costa**, Rio de Janeiro (BR)

U.S. PATENT DOCUMENTS

3,735,536 A \* 5/1973 Bellasalma ..... 52/73  
4,018,016 A \* 4/1977 Zale ..... 52/79.1  
D529,192 S \* 9/2006 Whalen ..... D25/56  
D530,432 S \* 10/2006 Gottesdiener ..... D25/56

\* cited by examiner

(73) Assignee: **Odebrecht Transport Participações**  
S/A, Sao Paulo (BR)

*Primary Examiner* — Doris Clark

(74) *Attorney, Agent, or Firm* — Sughrue Mion, PLLC

(\*\*) Term: **14 Years**

(57) **CLAIM**

The ornamental design for a bus shelter, as shown and described.

(21) Appl. No.: **29/440,037**

**DESCRIPTION**

(22) Filed: **Dec. 18, 2012**

FIG. 1.1 is a front view of a bus shelter showing an embodiment of our new design;  
FIG. 1.2 is a rear view thereof;  
FIG. 1.3 is a right side view thereof;  
FIG. 1.4 is a left side view thereof;  
FIG. 1.5 is a top view thereof;  
FIG. 1.6 is a bottom view thereof; and,  
FIG. 1.7 is a perspective view thereof.

(30) **Foreign Application Priority Data**

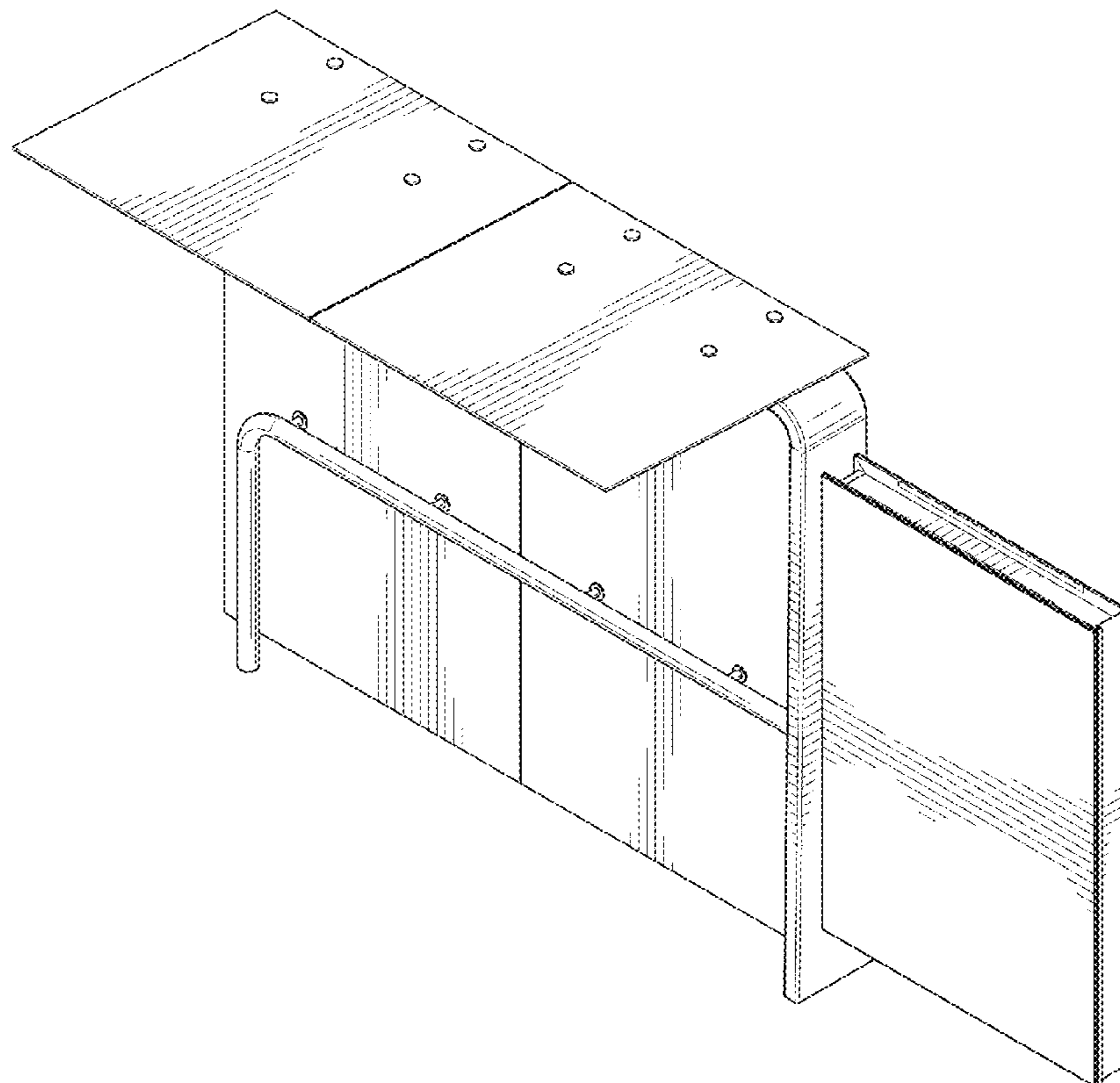
Jun. 18, 2012 (BR) ..... 302012003713

(51) **LOC (10) Cl.** ..... **25-02**

(52) **U.S. Cl.**  
USPC ..... **D25/56**

(58) **Field of Classification Search**  
CPC ..... E04H 1/1216; E04H 1/12

**1 Claim, 6 Drawing Sheets**



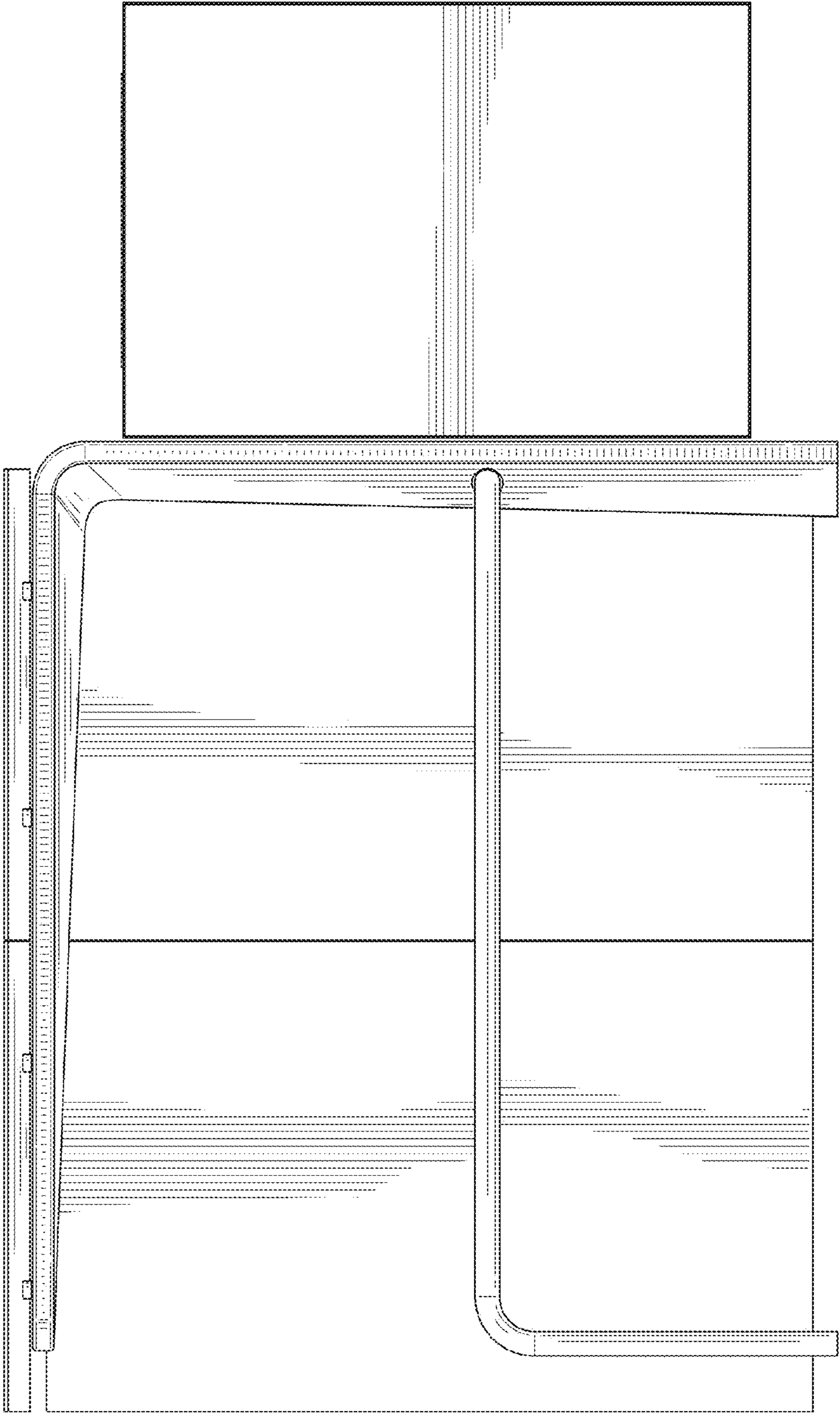


FIG. 1

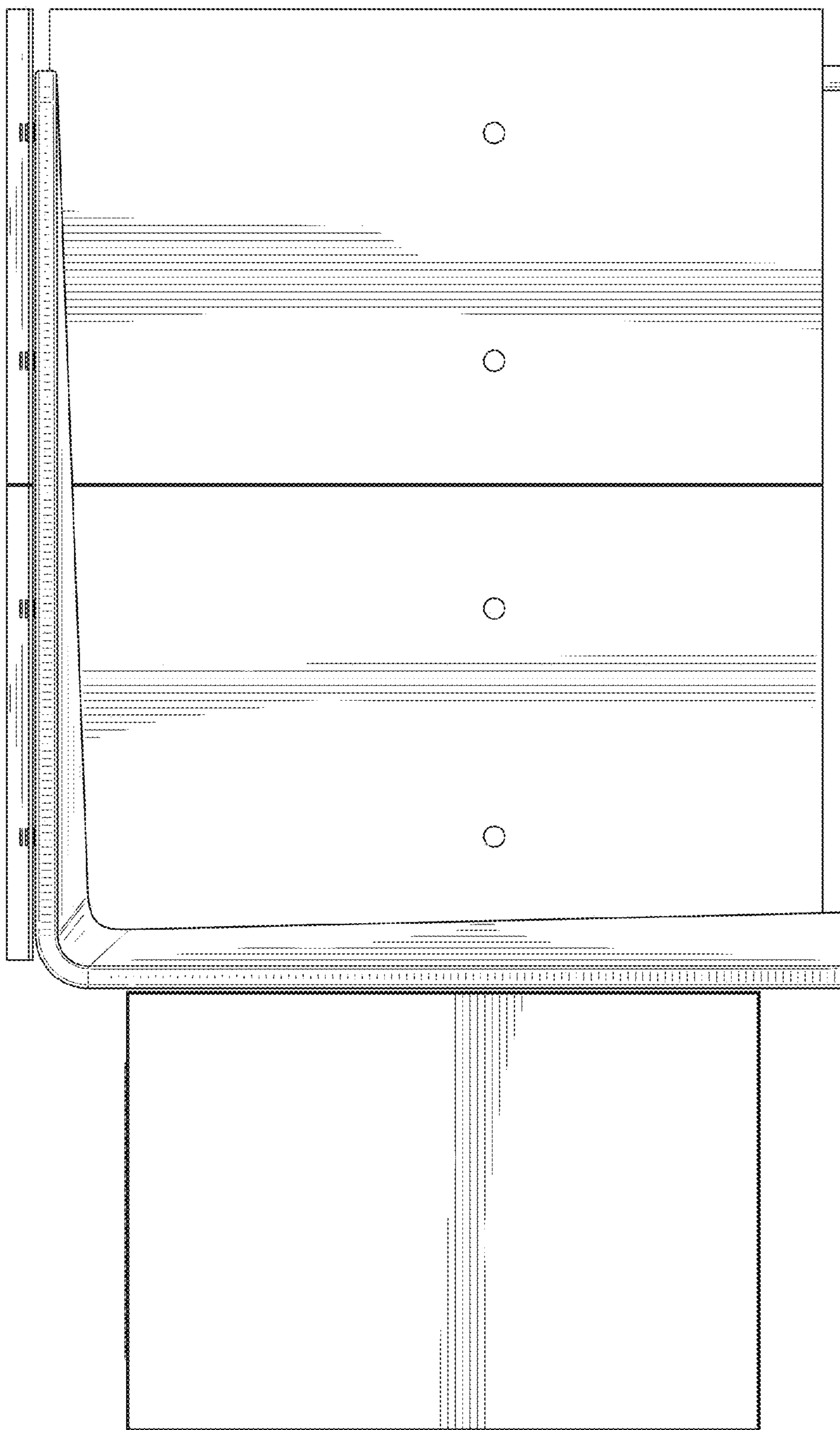


FIG. 2

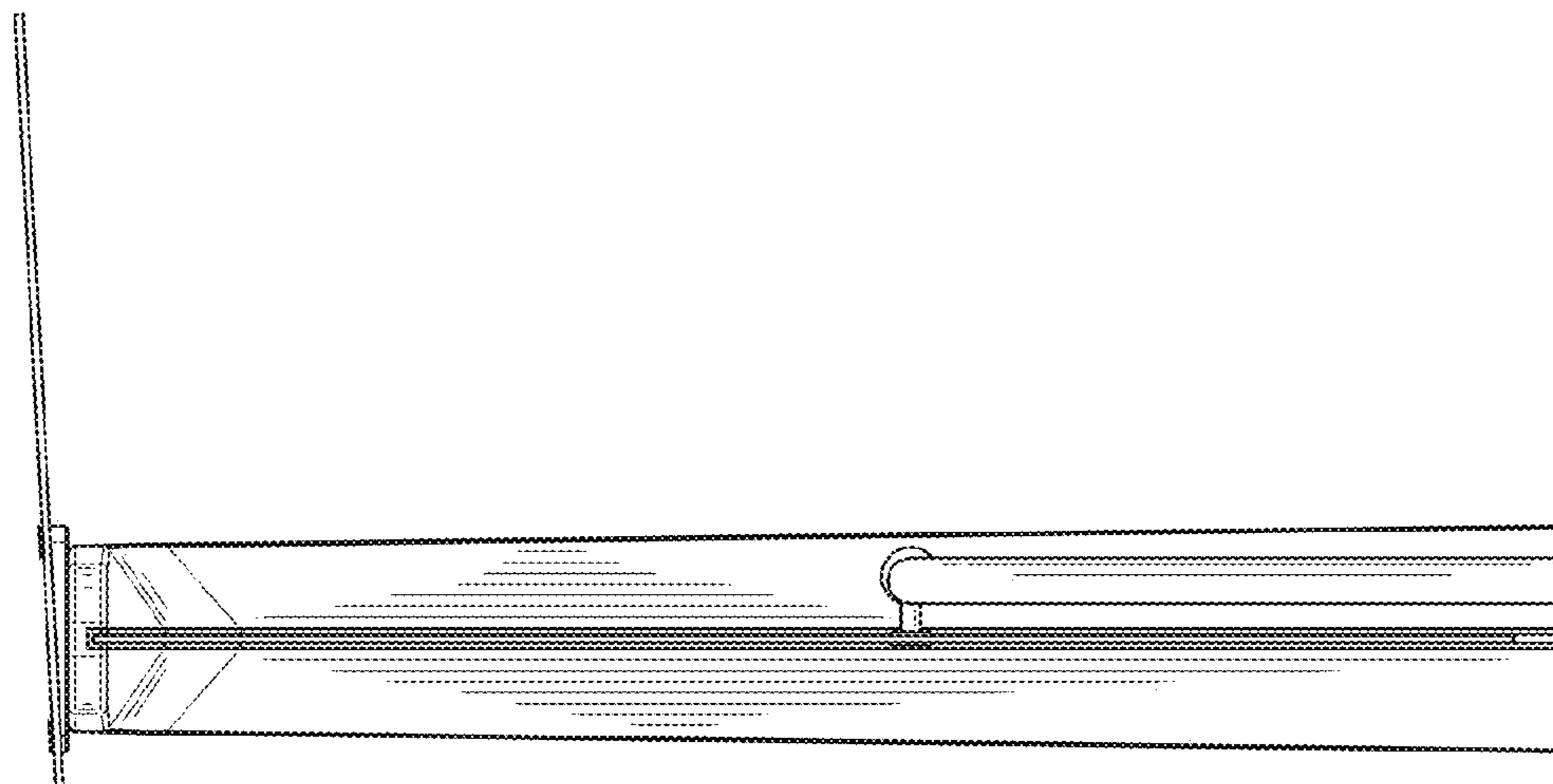


FIG. 4

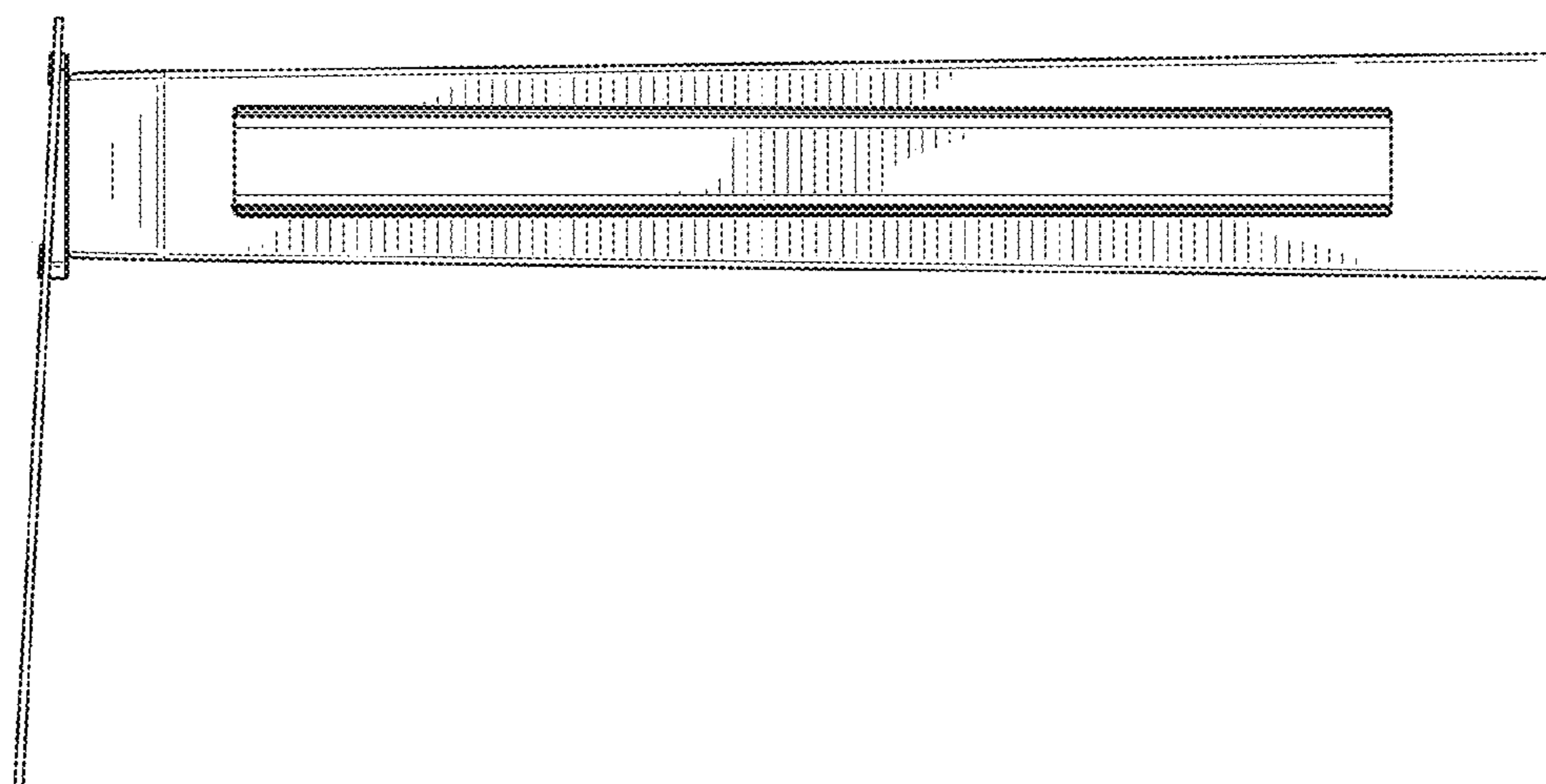


FIG. 3

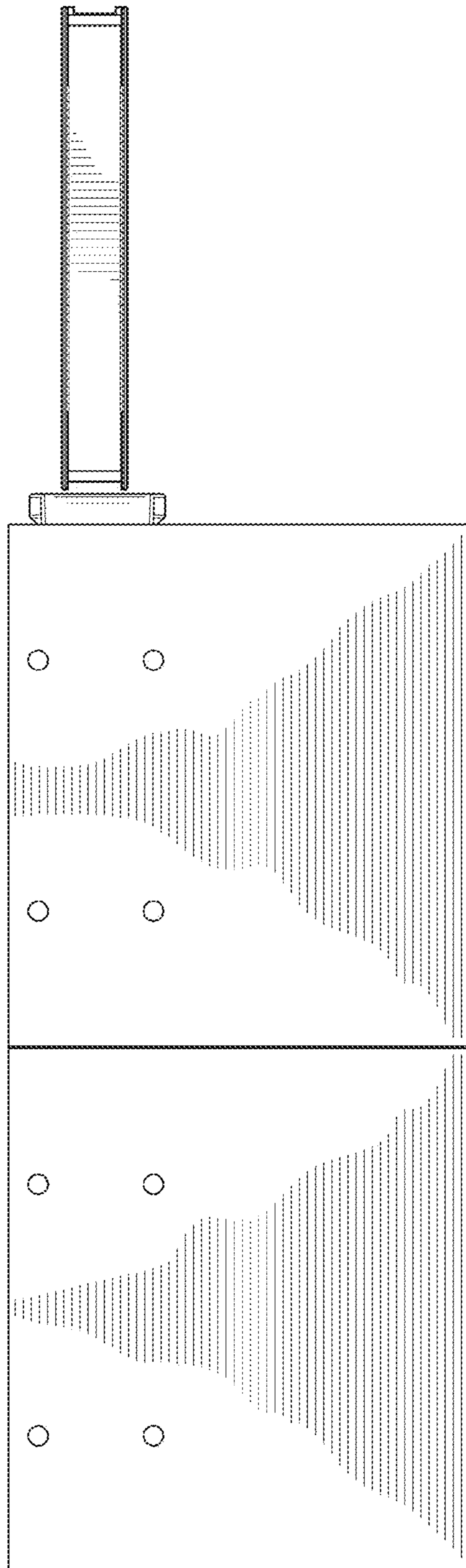


FIG. 5

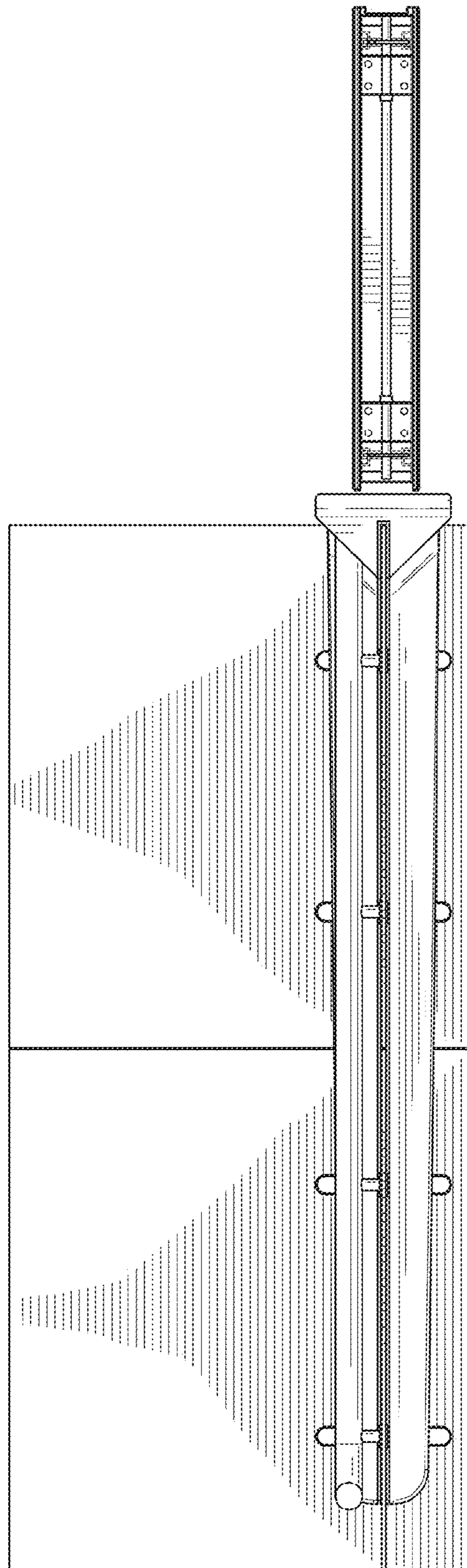


FIG. 6

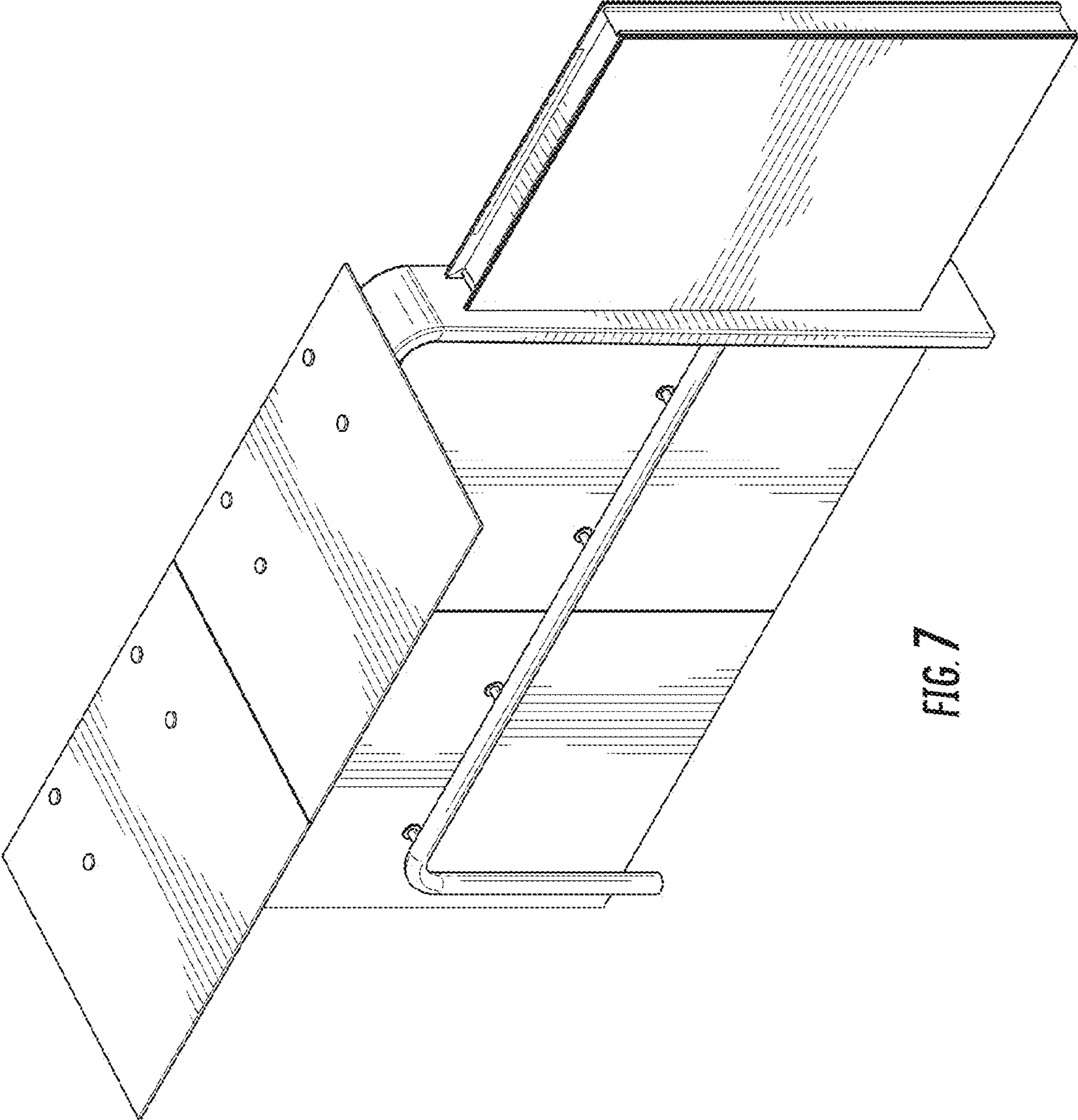


FIG. 7