



US00D717470S

(12) **United States Design Patent**
Demas et al.

(10) **Patent No.:** **US D717,470 S**

(45) **Date of Patent:** **** Nov. 11, 2014**

(54) **MODULAR CARTRIDGE ASSEMBLY**

(56) **References Cited**

(71) Applicant: **T2 Biosystems, Inc.**, Lexington, MA (US)

U.S. PATENT DOCUMENTS

(72) Inventors: **Vasiliki Demas**, Arlington, MA (US);
Trevor Beckett, Lexington, MA (US);
Michael Withers, Lexington, MA (US);
Robin Lee, Lexington, MA (US); **Parris S. Wellman**, Reading, MA (US)

4,072,578 A 2/1978 Cady et al.
D284,214 S 6/1986 Hatcher et al.
D285,118 S 8/1986 Huang

(Continued)

(73) Assignee: **T2 Biosystems, Inc.**, Lexington, MA (US)

OTHER PUBLICATIONS

Office Action for U.S. Appl. No. 29/390,300, dated Jun. 27, 2012 (32 pages).

(Continued)

(**) Term: **14 Years**

Primary Examiner — Anhdao Doan

(21) Appl. No.: **29/469,228**

(74) *Attorney, Agent, or Firm* — Clark & Elbing LLP; Karen L. Elbing; Todd Armstrong

(22) Filed: **Oct. 8, 2013**

(57) **CLAIM**

The ornamental design for a modular cartridge assembly, substantially as shown and described.

Related U.S. Application Data

DESCRIPTION

(63) Continuation of application No. 29/440,919, filed on Dec. 28, 2012, now Pat. No. Des. 691,733, which is a continuation of application No. 29/390,300, filed on Apr. 22, 2011, now Pat. No. Des. 674,112, which is a continuation-in-part of application No. 12/910,594, filed on Oct. 22, 2010, now Pat. No. 8,563,298.

FIG. 1 is a perspective view of a reagent tray for modular cartridge assembly embodying the claimed design.

FIG. 2 is a top perspective view of the reagent tray.

FIG. 3 is a front view of the reagent tray.

FIG. 4 is a rear view of the reagent tray.

FIG. 5 is a left side view of the reagent tray.

FIG. 6 is a right side view of the reagent tray.

FIG. 7 is a top view of the reagent tray.

FIG. 8 is a bottom view of the reagent tray; and,

FIG. 9 is a bottom perspective view of the reagent tray.

The portions of the modular cartridge assembly shown in broken lines depict environment and are for illustrative purposes only. The broken lines form no part of the claimed design.

(51) **LOC (10) Cl.** **24-01**

(52) **U.S. Cl.**

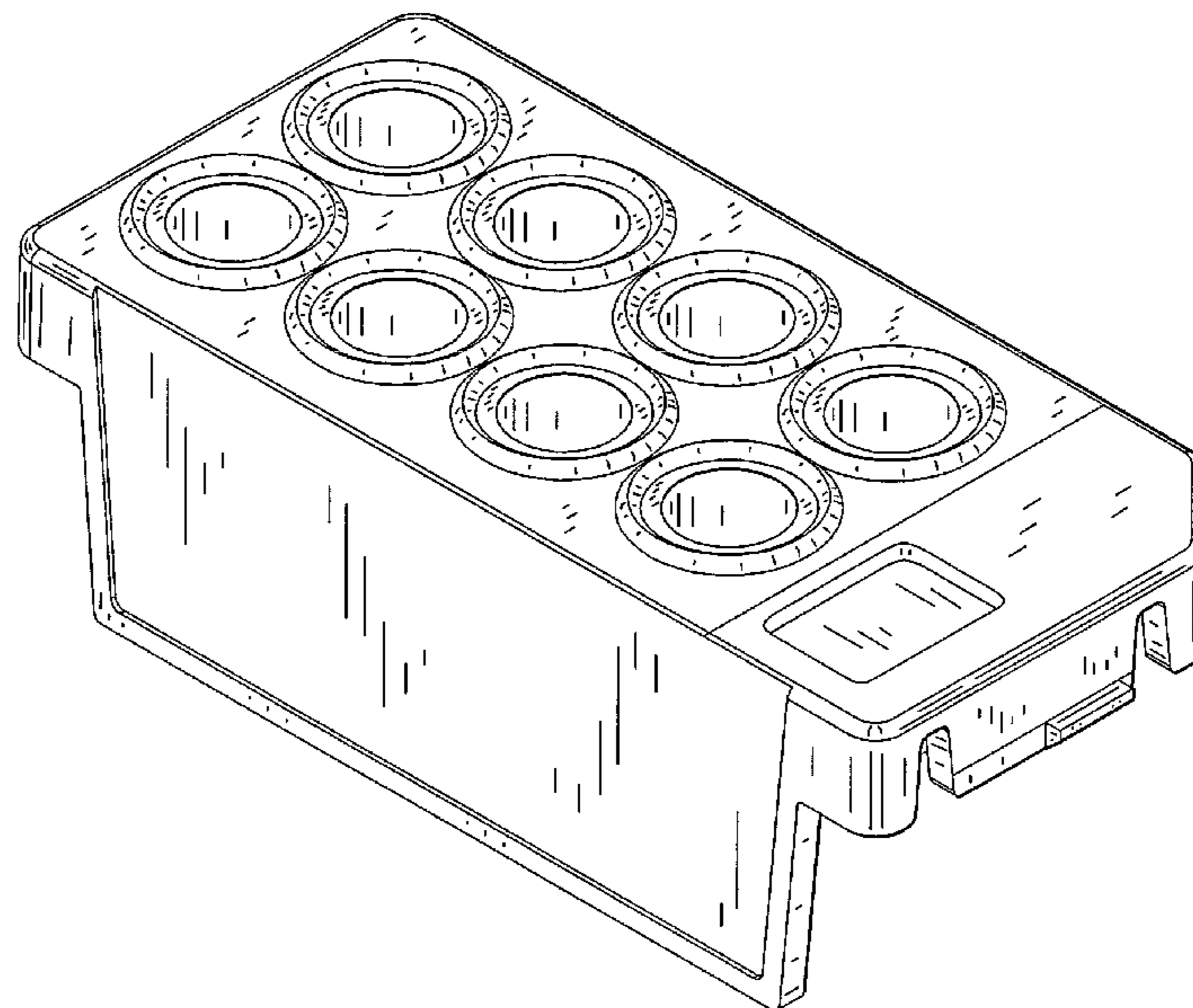
USPC **D24/226**

(58) **Field of Classification Search**

USPC D24/216, 223, 224, 225, 226, 227, 231, D24/232, 233, 107, 169, 186; D10/81; 422/62-65, 67, 500, 547, 551, 552, 422/554; 436/43, 45, 47; 435/287.1, 287.3, 435/288.2, 288.4, 288.5, 305.1, 305.2; 73/64.56, 864.91, 865.9

See application file for complete search history.

1 Claim, 6 Drawing Sheets



(56)

References Cited

U.S. PATENT DOCUMENTS

D288,479 S 2/1987 Covell et al.
D303,711 S 9/1989 DesRosier et al.
D330,085 S 10/1992 Crerar et al.
D332,145 S * 12/1992 Wada et al. D24/226
D345,611 S 3/1994 Long
D366,529 S 1/1996 Babaoglu et al.
D414,561 S 9/1999 Escoffier
D416,330 S 11/1999 Brown
D438,632 S 3/2001 Miller
D452,740 S * 1/2002 Brennan et al. D24/226
D492,419 S * 6/2004 Farina D24/226
D516,732 S 3/2006 Sakurai et al.
7,036,667 B2 5/2006 Greenstein et al.

7,704,735 B2 4/2010 Facer et al.
7,867,766 B2 1/2011 Wang
D632,803 S 2/2011 Motadel et al.
D657,473 S * 4/2012 Miyashita et al. D24/224
D674,112 S 1/2013 Demas et al.
2004/0141887 A1 7/2004 Mainquist et al.
2008/0056948 A1 3/2008 Dale et al.
2009/0239308 A1 9/2009 Dube et al.
2009/0298129 A1 12/2009 Spence et al.
2010/0124766 A1 5/2010 Ng et al.

OTHER PUBLICATIONS

Office Action for Canadian Patent Application No. 142812, dated Aug. 27, 2012 (3 pages).

* cited by examiner

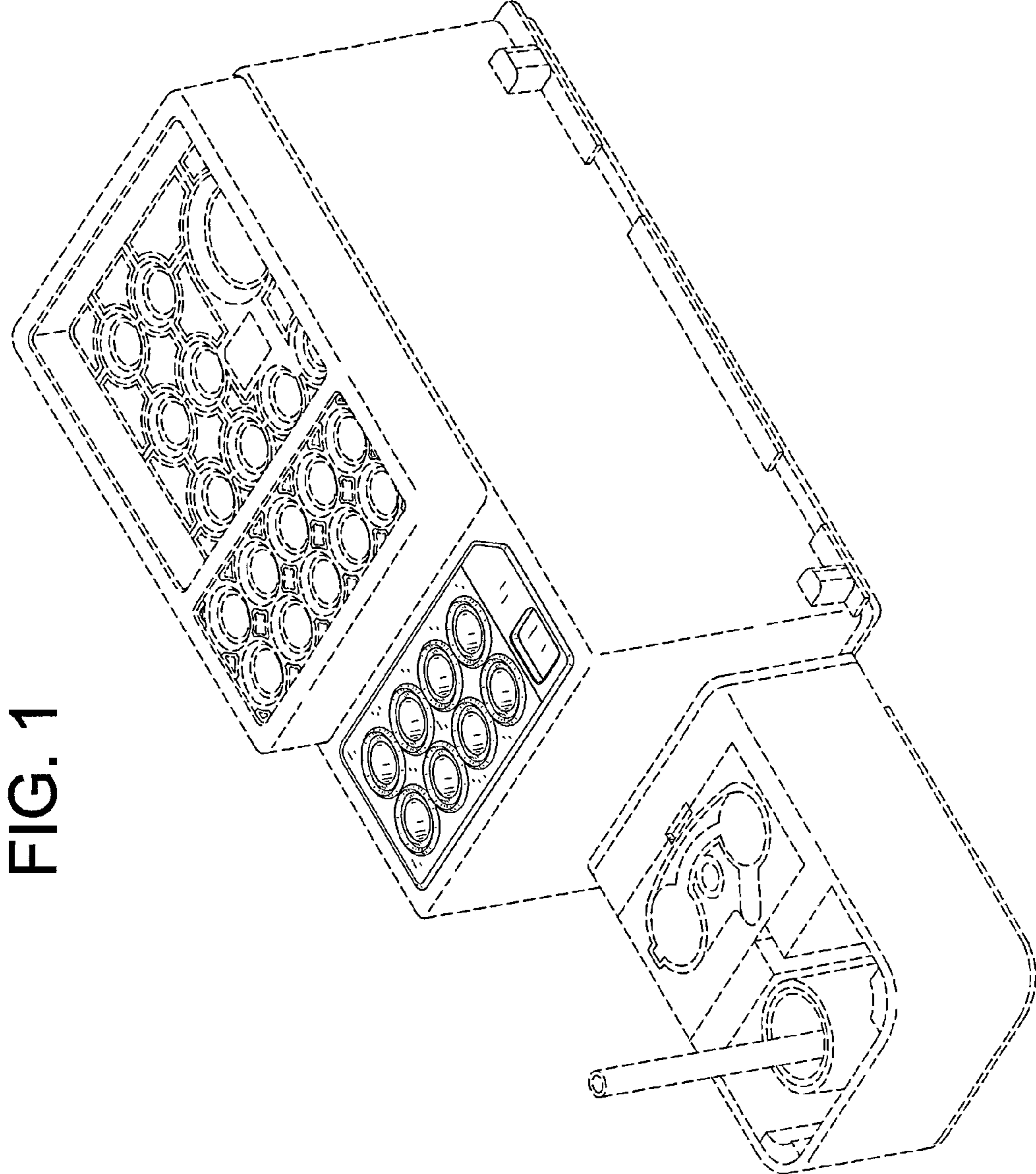


FIG. 1

FIG. 2

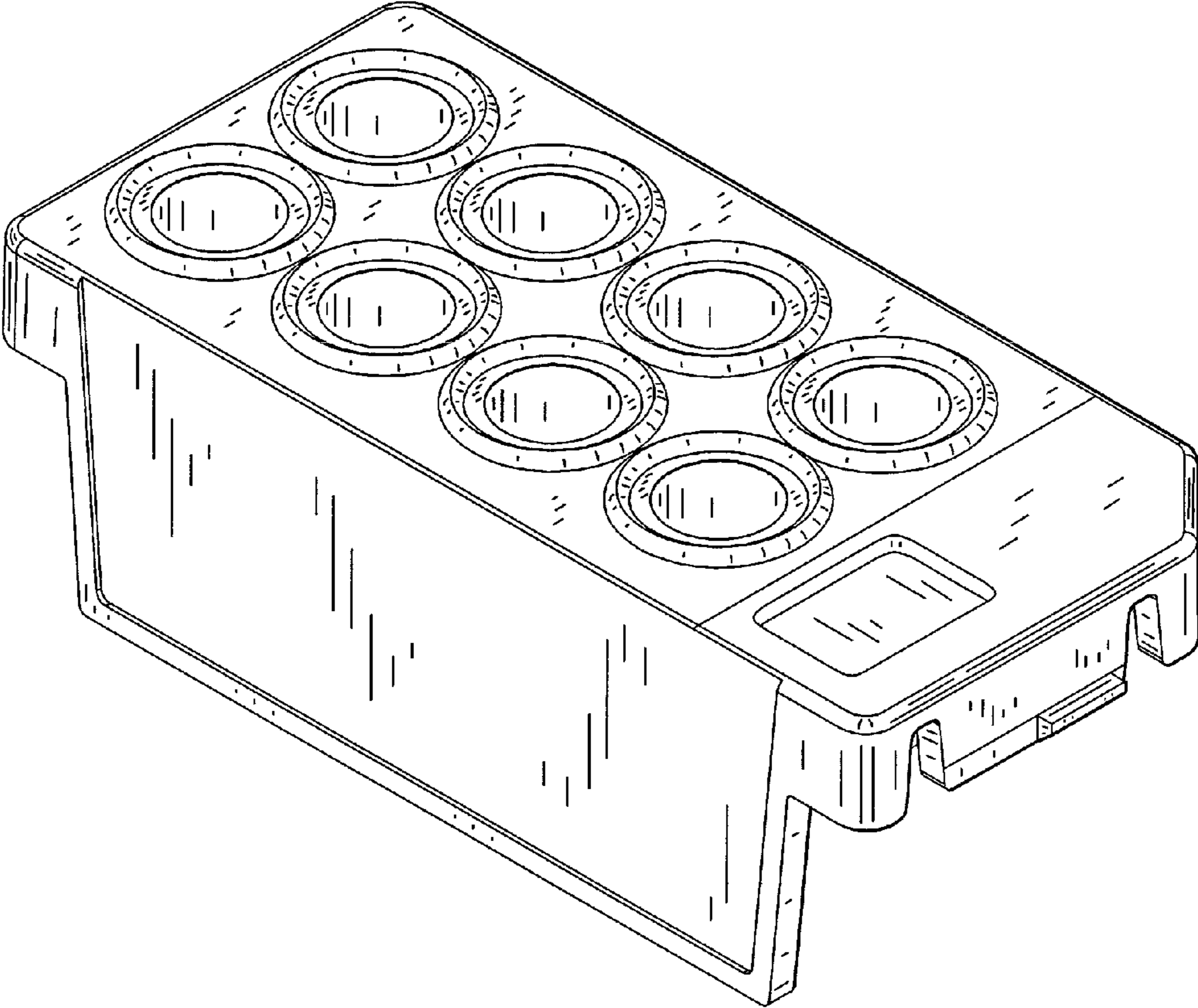


FIG. 3

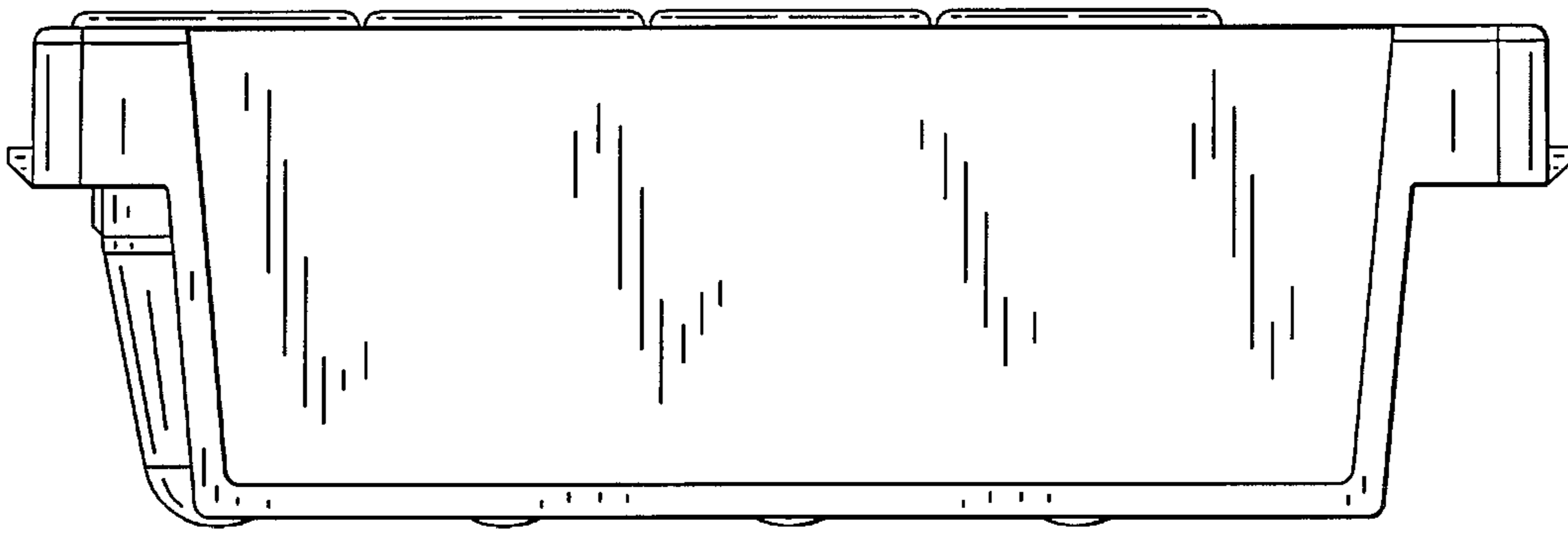


FIG. 4

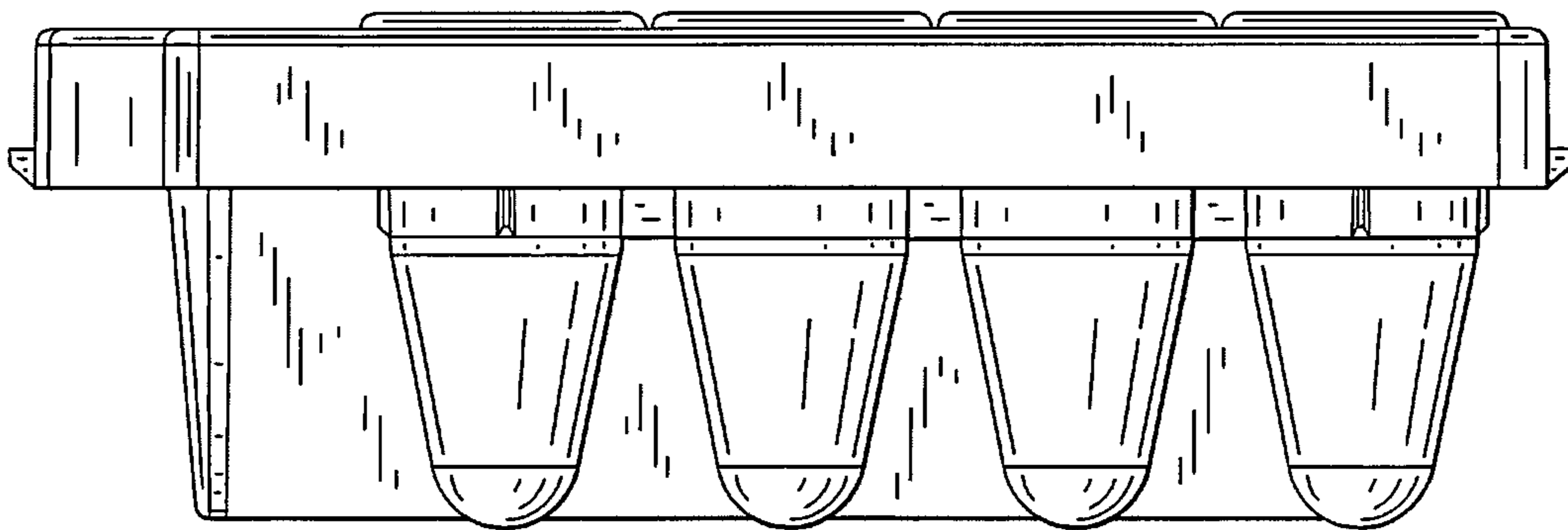


FIG. 5

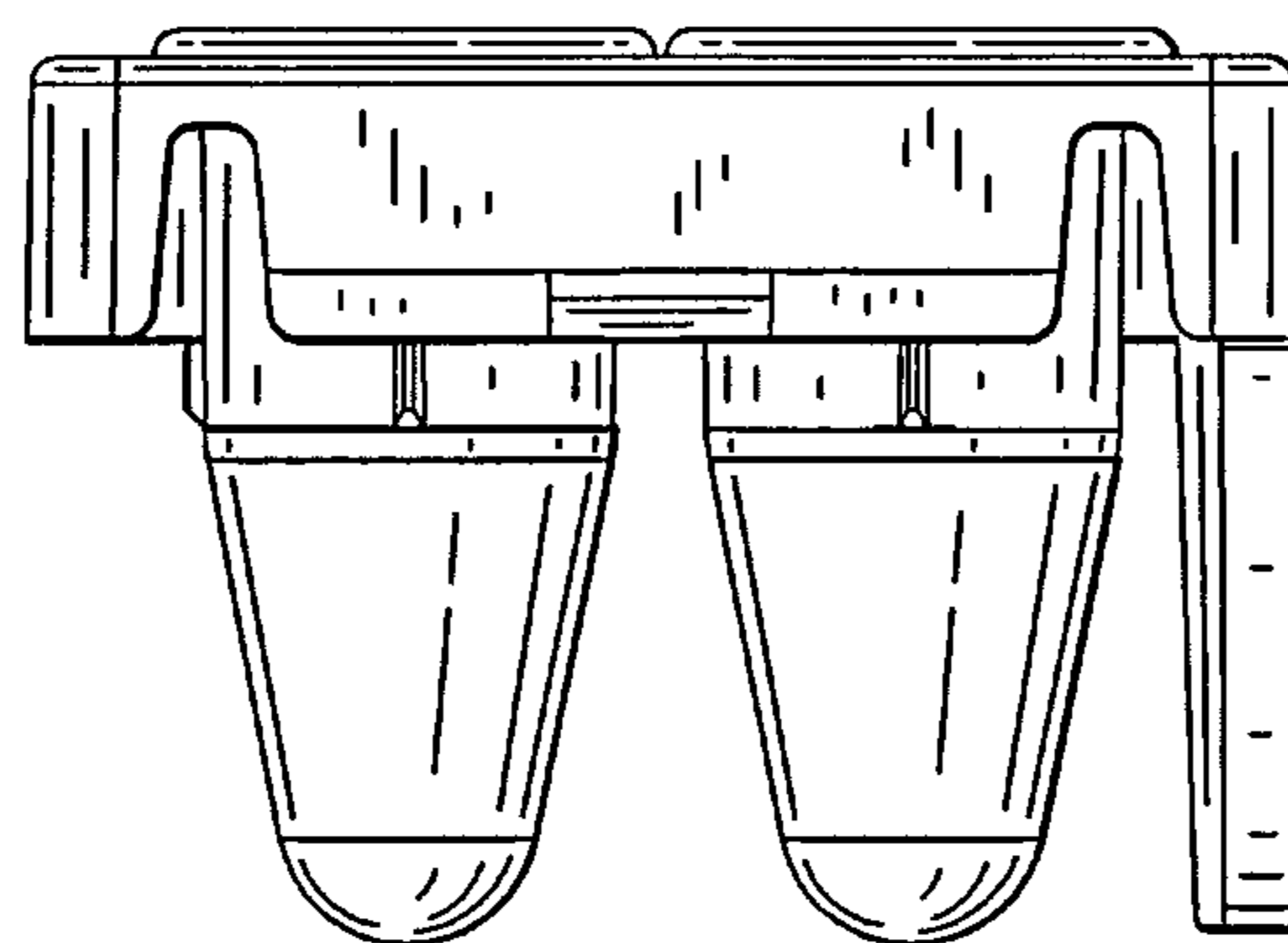


FIG. 6

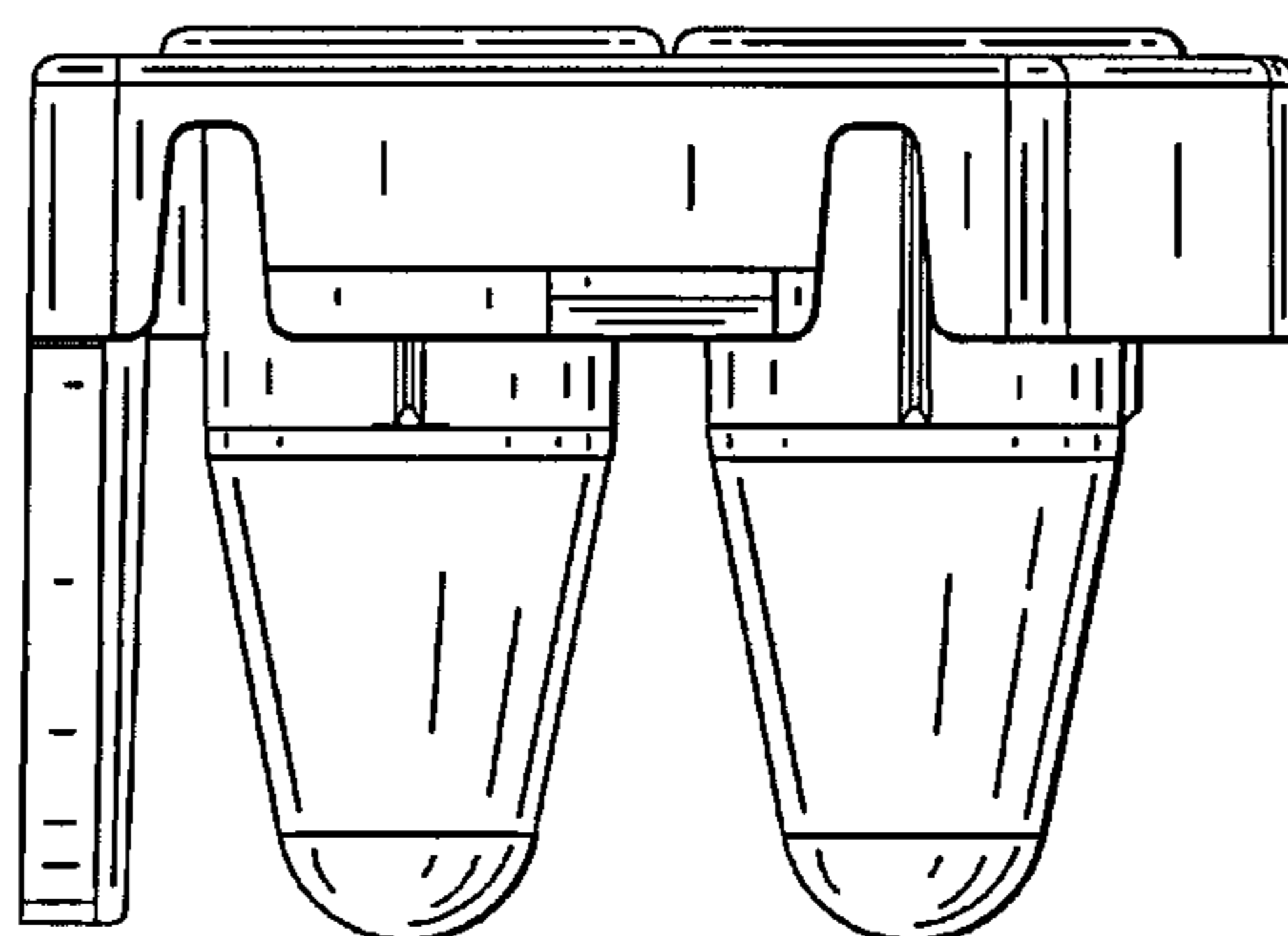


FIG. 7

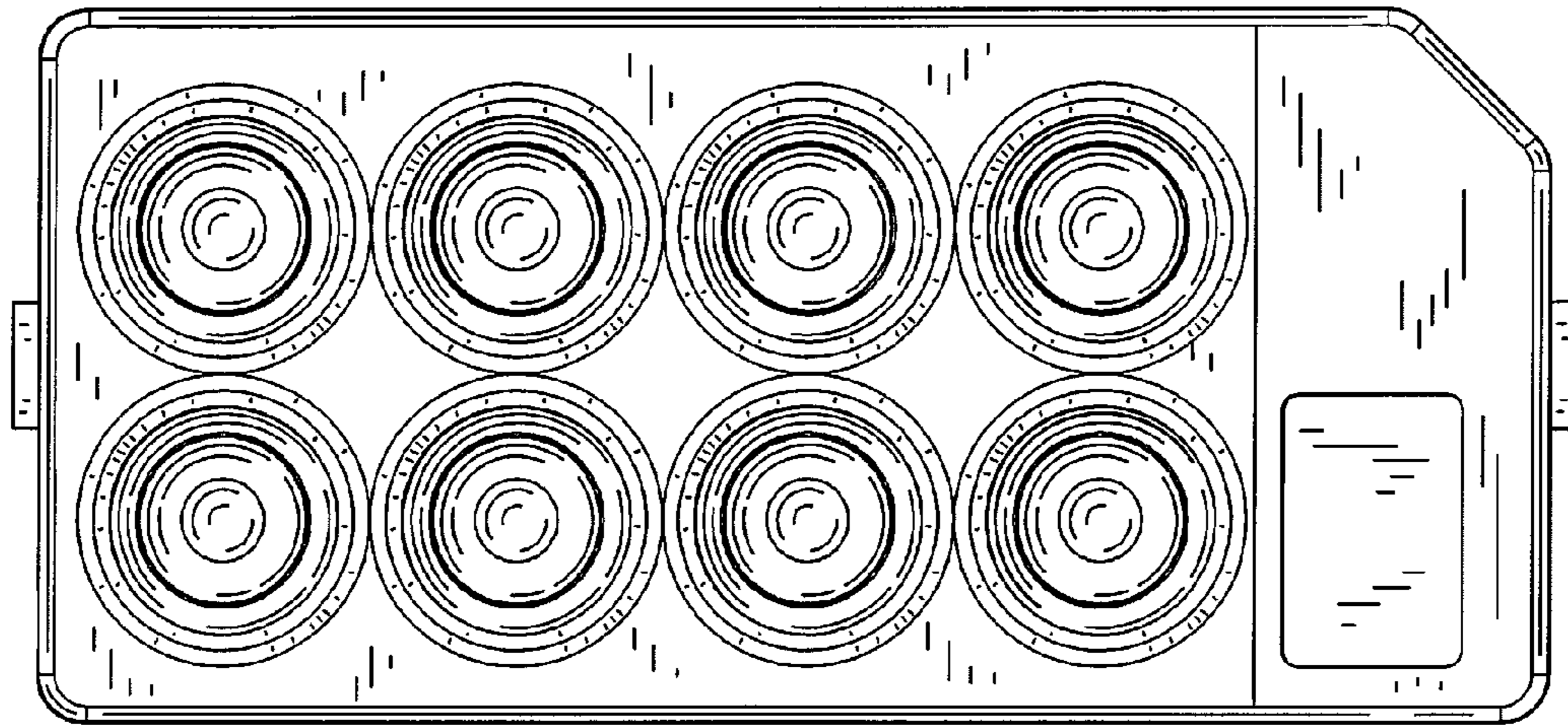


FIG. 8

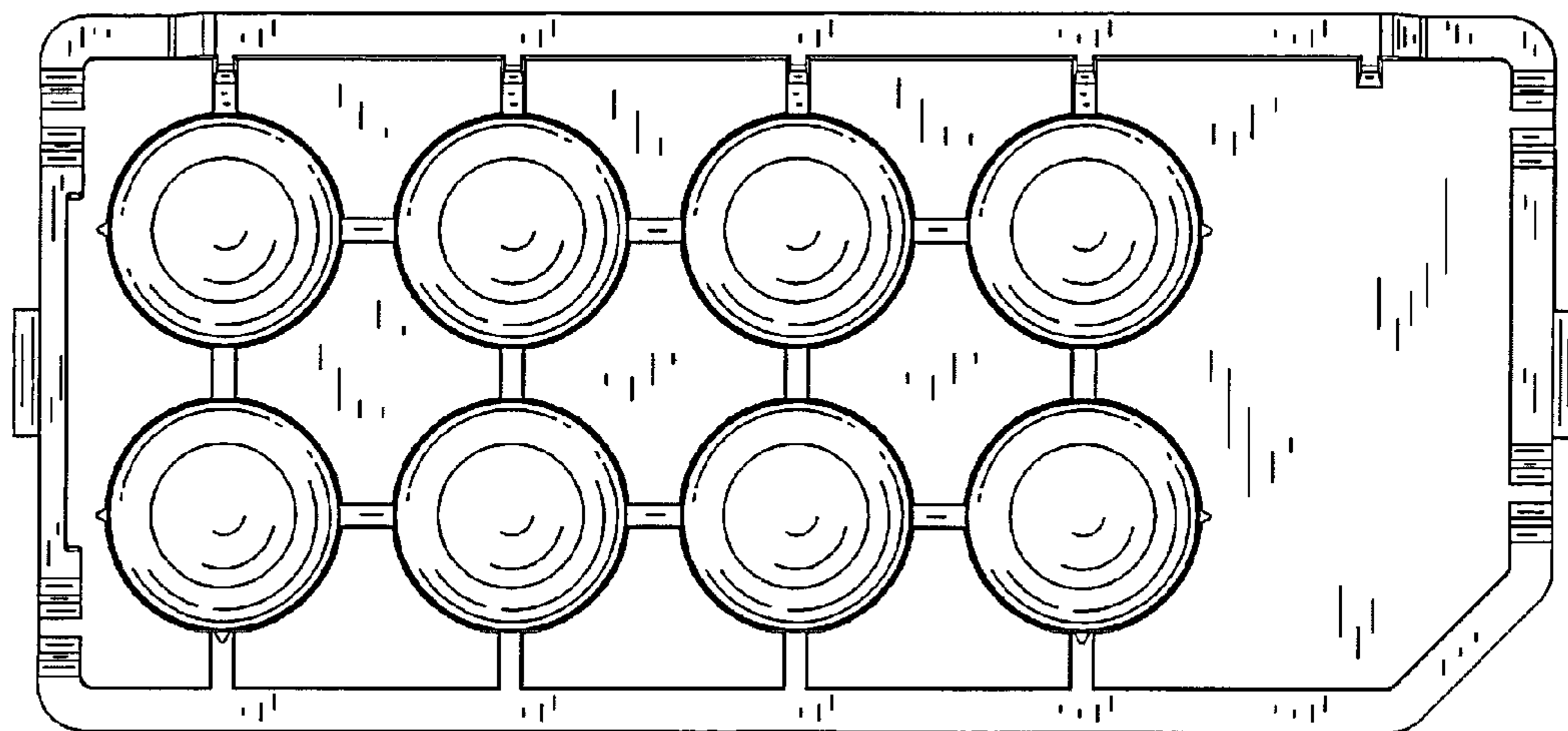


FIG. 9

