



US00D717466S

(12) **United States Design Patent**  
**Samingprai et al.**

(10) **Patent No.:** **US D717,466 S**

(45) **Date of Patent:** **\*\* Nov. 11, 2014**

(54) **DEVICE FOR PREPARING AND TRANSFERRING REACTION MIXTURE**

(71) Applicant: **PTT Global Chemical Public Company Limited**, Bangkok (TH)

(72) Inventors: **Sutheerawat Samingprai**, Bangkok (TH); **Nared Phetrak**, Bangkok (TH); **Tienkul Kangwanwong**, Bangkok (TH); **Anucha Euapermkiati**, Bangkok (TH); **Chaya Chandavasu**, Bangkok (TH)

(73) Assignee: **PTT Global Chemical Public Company Limited**, Bangkok (TH)

(\*\*) Term: **14 Years**

(21) Appl. No.: **29/458,958**

(22) Filed: **Jun. 25, 2013**

(30) **Foreign Application Priority Data**

Dec. 27, 2012 (TH) ..... 1202003478

(51) **LOC (10) Cl.** ..... **24-02**

(52) **U.S. Cl.**  
USPC ..... **D24/222**

(58) **Field of Classification Search**  
CPC ..... B01L 3/021; B01L 3/0213; B01L 3/0279; B01L 3/0217; G01N 1/14  
USPC ..... D10/81; D24/222-224; 73/863.31-864.33; 422/416, 501-503, 422/547, 548, 549, 558, 565, 913-948  
See application file for complete search history.

(56) **References Cited**

U.S. PATENT DOCUMENTS

D703,344 S \* 4/2014 Herbst et al. .... D24/222

FOREIGN PATENT DOCUMENTS

JP D1301873 5/2007  
JP D1369400 9/2009  
JP D1369657 9/2009

OTHER PUBLICATIONS

English language translation of Taiwan IPO Search Report for Taiwan Design Patent Application No. 102304347, Jan. 4, 2014.

\* cited by examiner

*Primary Examiner* — Antoine D Davis

(74) *Attorney, Agent, or Firm* — Kim Winston LLP

(57) **CLAIM**

The ornamental design for a device for preparing and transferring reaction mixture, as shown and described.

**DESCRIPTION**

FIG. 1 is a perspective view of a device for preparing and transferring a reaction mixture in accordance with the new design;

FIG. 2 is a left side elevation view of the device in FIG. 1;

FIG. 3 is a rear elevation view of the device in FIG. 1;

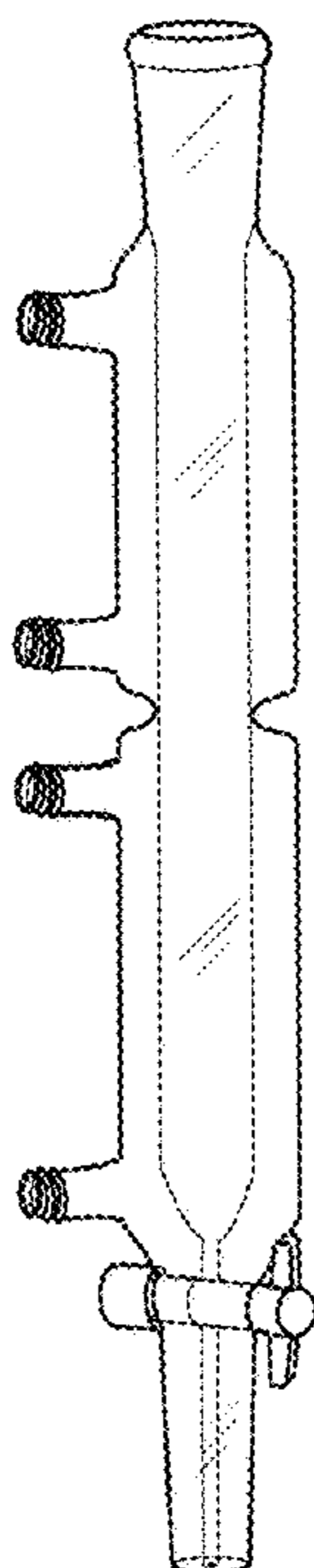
FIG. 4 is a right side view of the device in FIG. 1;

FIG. 5 is a front elevation view of the device in FIG. 1;

FIG. 6 is a top plan view of the device in FIG. 1; and,

FIG. 7 is a bottom plan view of the device in FIG. 1.

**1 Claim, 7 Drawing Sheets**



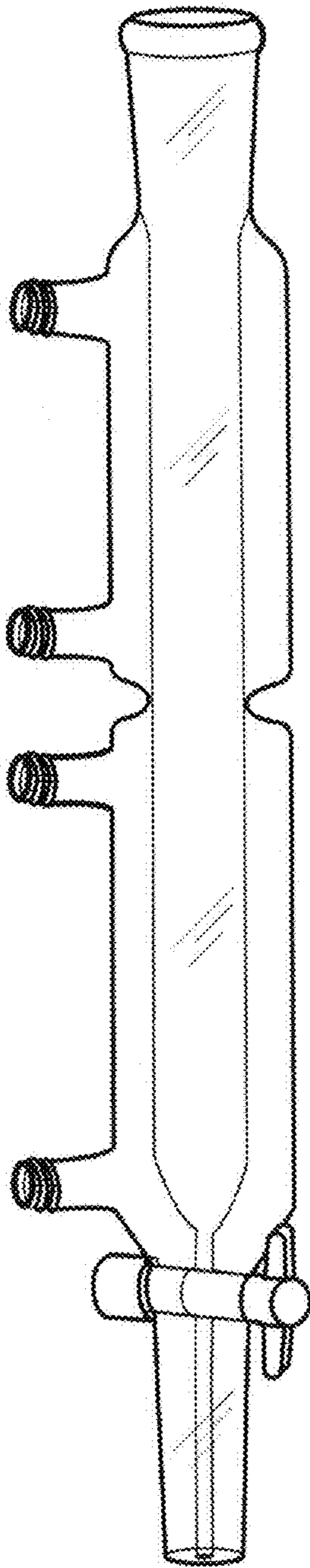


FIG 1

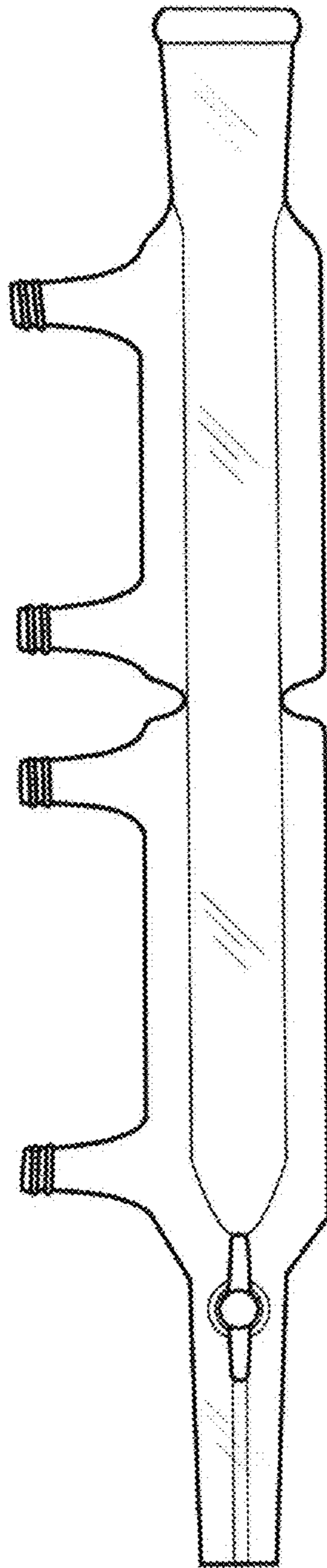


FIG 2

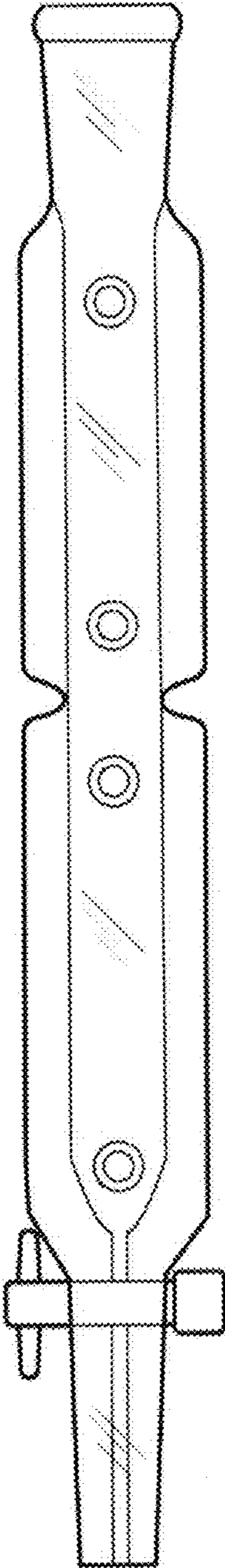


FIG 3

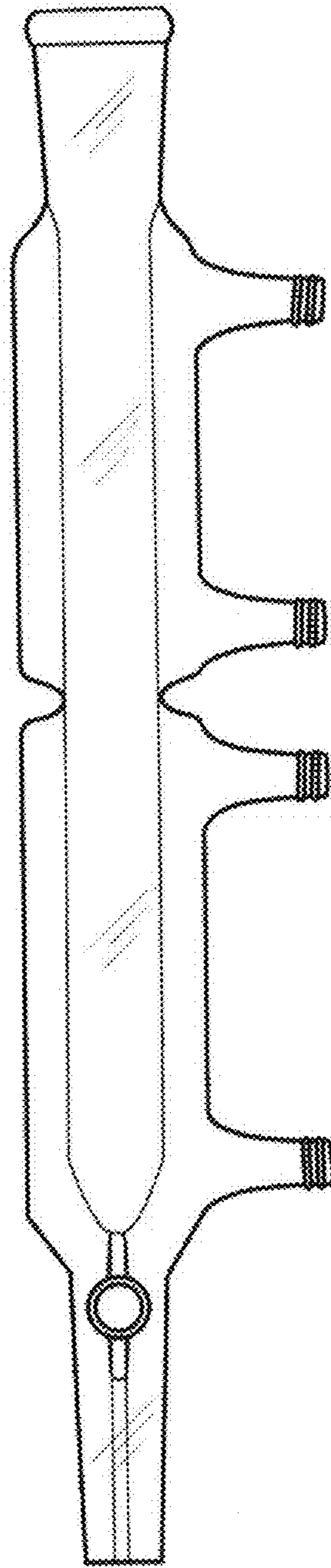


FIG 4

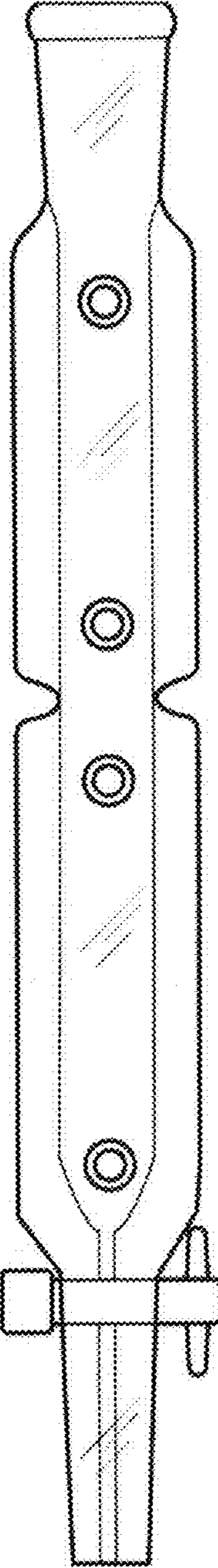


FIG 5

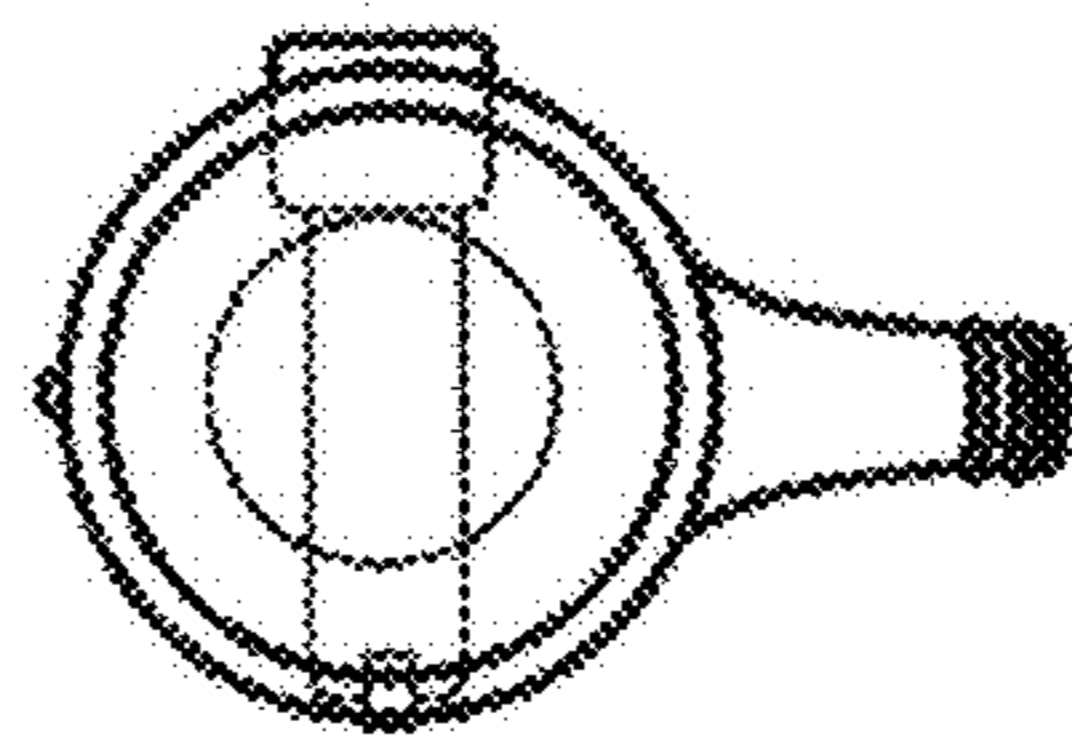


FIG 6



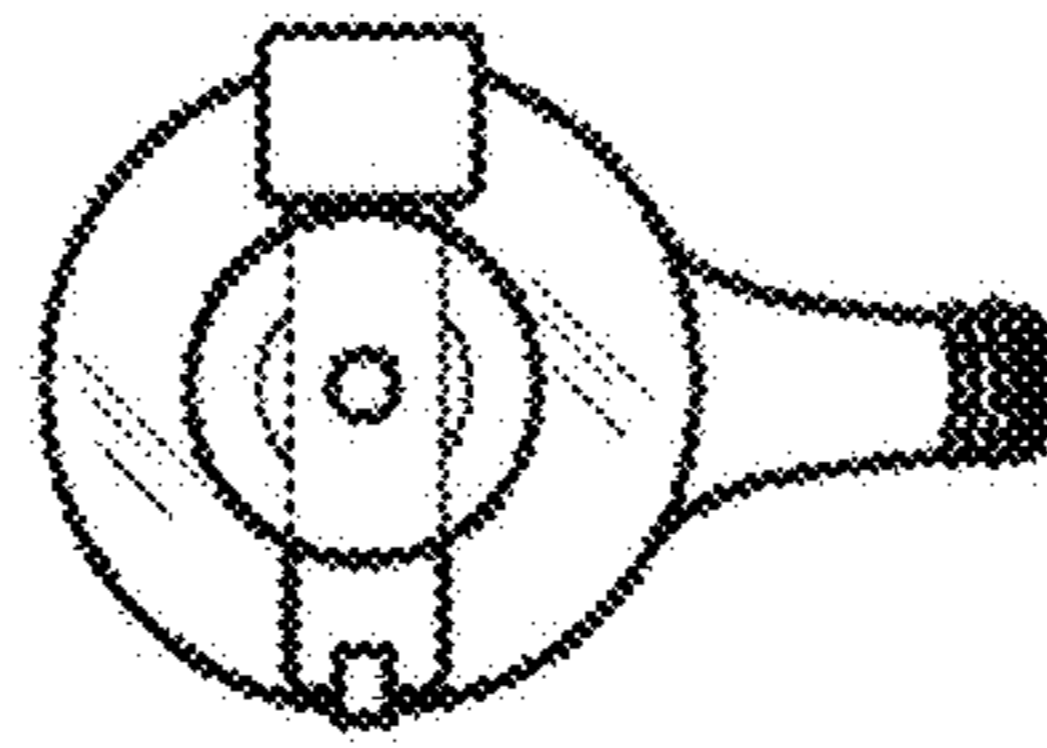


FIG 7