

US00D717465S

(12) **United States Design Patent**
Muraoka

(10) **Patent No.:** **US D717,465 S**

(45) **Date of Patent:** **** Nov. 11, 2014**

(54) **DISPENSER**

(71) Applicant: **Shimadzu Corporation**, Kyoto (JP)

(72) Inventor: **Hiroshi Muraoka**, Kyoto (JP)

(73) Assignee: **Shimadzu Corporation**, Kyoto (JP)

(**) Term: **14 Years**

(21) Appl. No.: **29/489,407**

(22) Filed: **Apr. 30, 2014**

(30) **Foreign Application Priority Data**

Feb. 27, 2014 (JP) 2014-004013

(51) **LOC (10) Cl.** **24-01**

(52) **U.S. Cl.**
USPC **D24/216**

(58) **Field of Classification Search**
USPC D24/216, 223, 231, 232, 233, 186, 107;
D10/81, 97; 435/286.1, 286.4, 286.5,
435/287.3; 422/63-67, 509; 73/863.01,
73/863.02, 863.03, 863.31, 863.32
See application file for complete search history.

(56) **References Cited**

U.S. PATENT DOCUMENTS

D352,360 S * 11/1994 Nugteren D24/216
6,841,126 B2 * 1/2005 Oonuma et al. 422/64

D524,948 S * 7/2006 Pedraza et al. D24/233
D554,551 S * 11/2007 Ouchi et al. D10/81
7,850,921 B2 * 12/2010 Iguchi et al. 422/67
D631,975 S * 2/2011 Oonuma et al. D24/216
D637,730 S * 5/2011 Oonuma et al. D24/216
8,043,560 B2 * 10/2011 Okumoto et al. 422/64
D653,766 S * 2/2012 Oonuma et al. D24/216
D671,227 S * 11/2012 Parker et al. D24/216

* cited by examiner

Primary Examiner — Anhdao Doan

(74) *Attorney, Agent, or Firm* — Jianq Chyun IP Office

(57) **CLAIM**

The ornamental design for a dispenser, as shown and described.

DESCRIPTION

FIG. 1 is a perspective view of a dispenser showing my new design;

FIG. 2 is a front view thereof;

FIG. 3 is a rear view thereof;

FIG. 4 is a left side view thereof;

FIG. 5 is a right side view thereof;

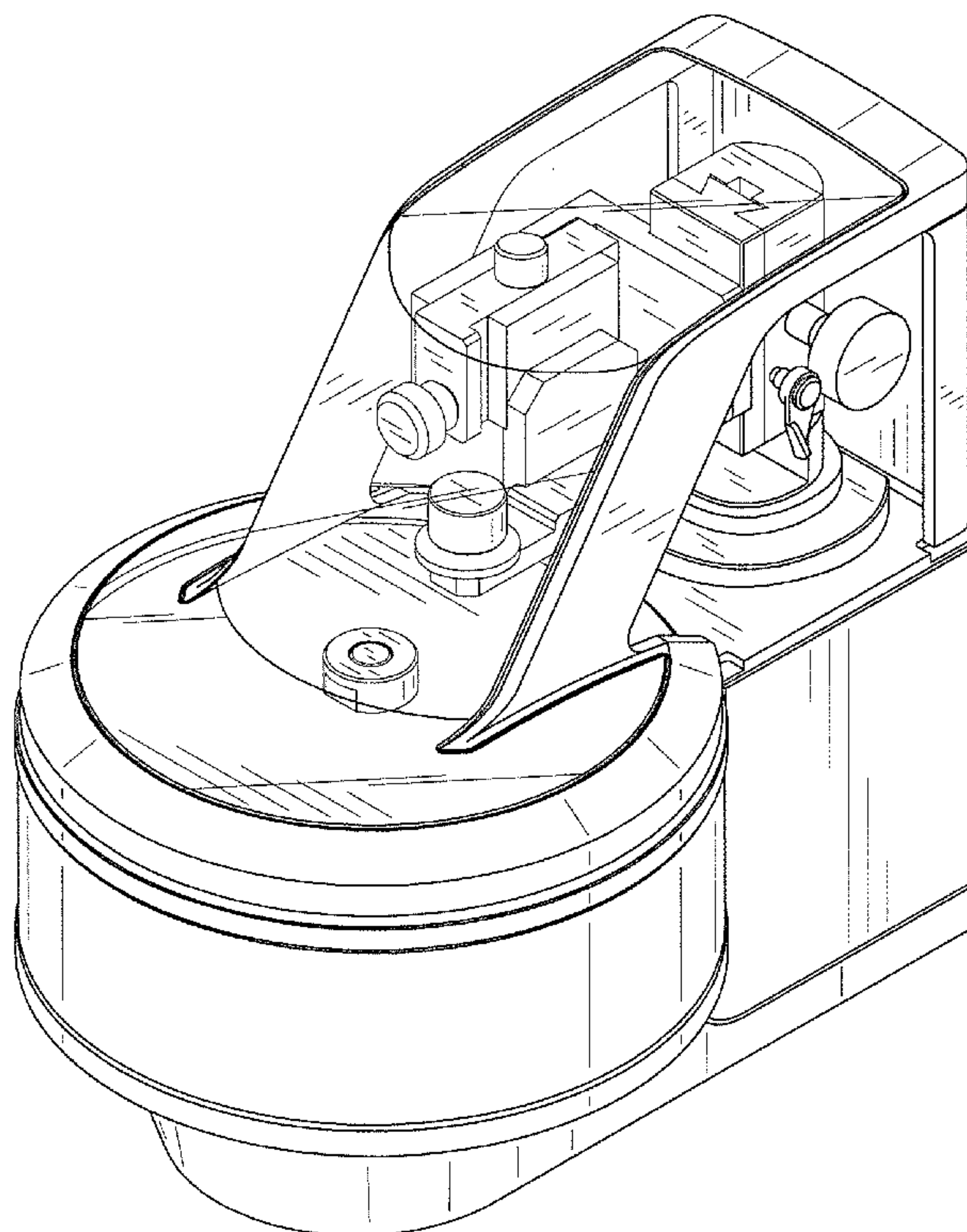
FIG. 6 is a top view thereof;

FIG. 7 is a bottom view thereof;

FIG. 8 is a perspective view thereof, shown in use state; and, FIG. 9 is a top view thereof, shown in use state.

The broken lines subject matter in FIGS. 8-9 are included for the purpose of illustrating unclaimed environment and form no part of the claimed design.

1 Claim, 9 Drawing Sheets



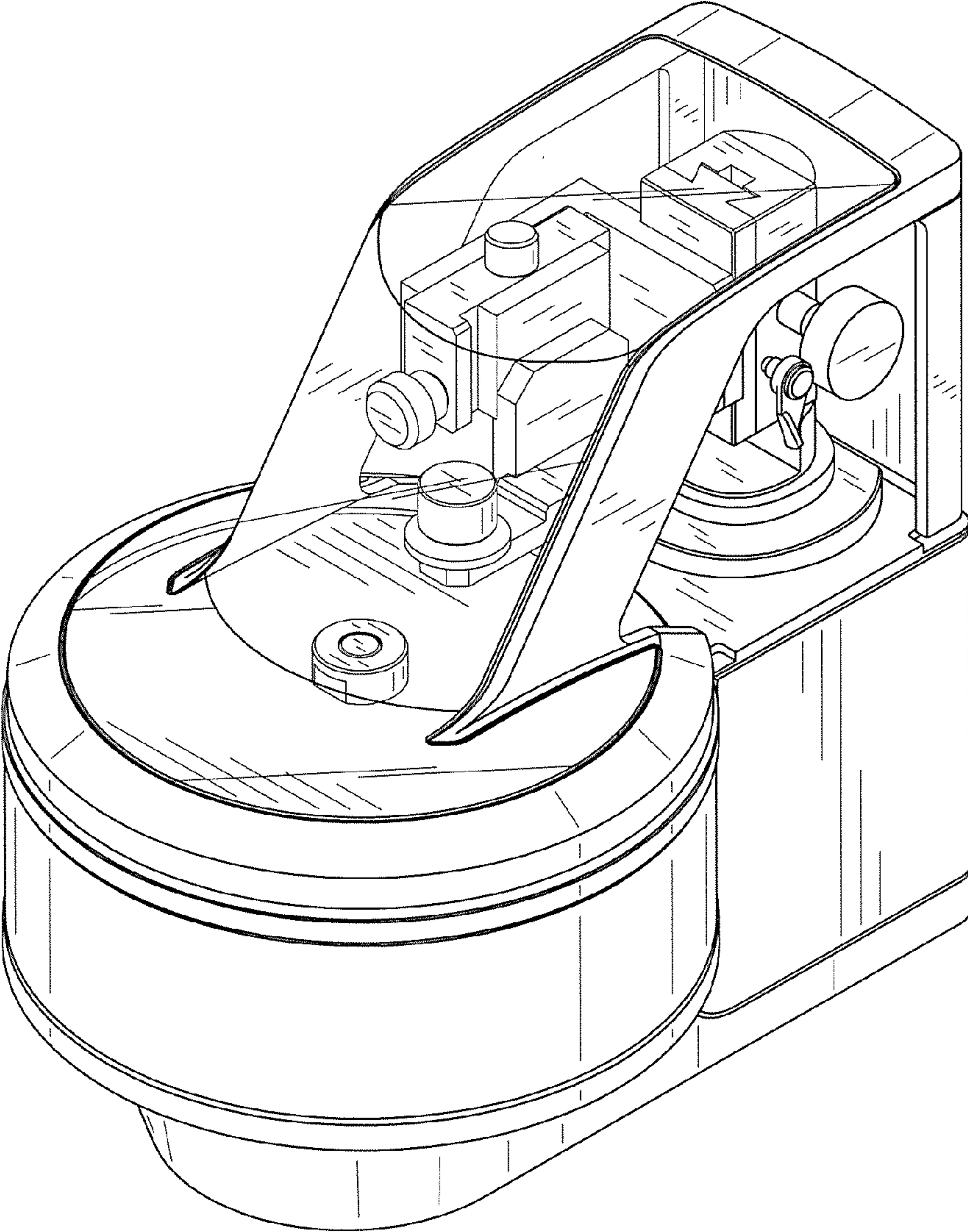


FIG. 1

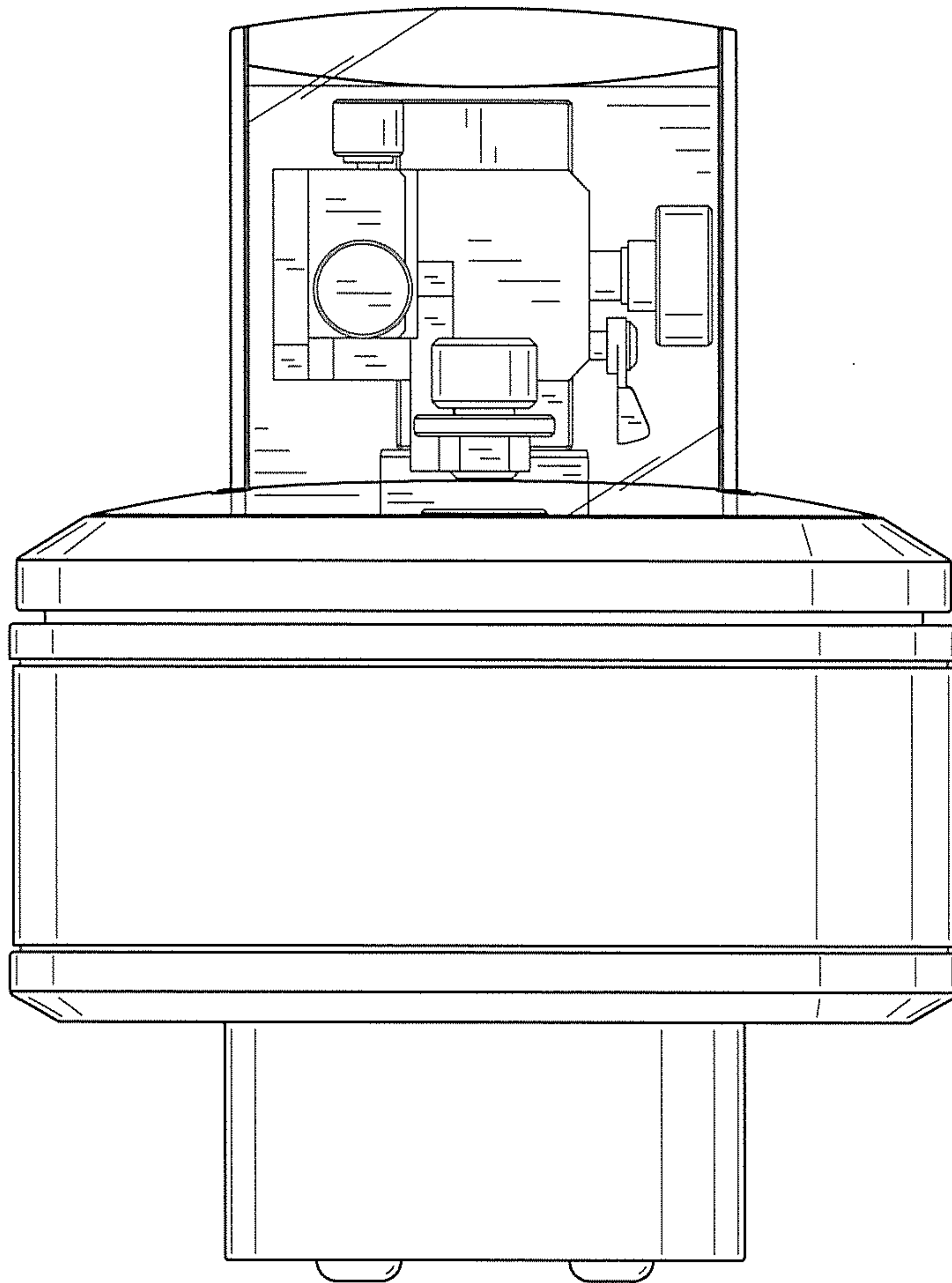


FIG. 2

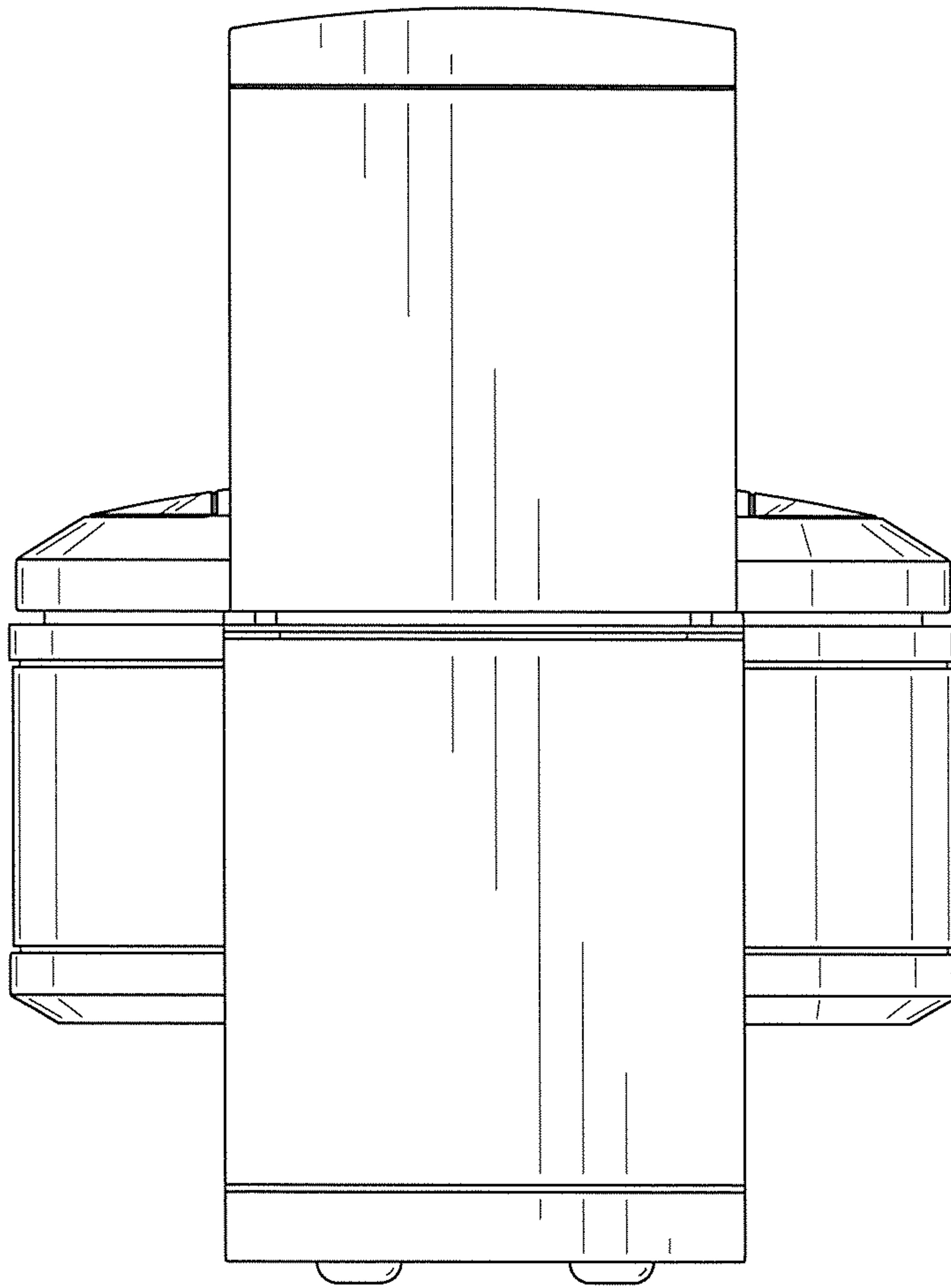


FIG. 3

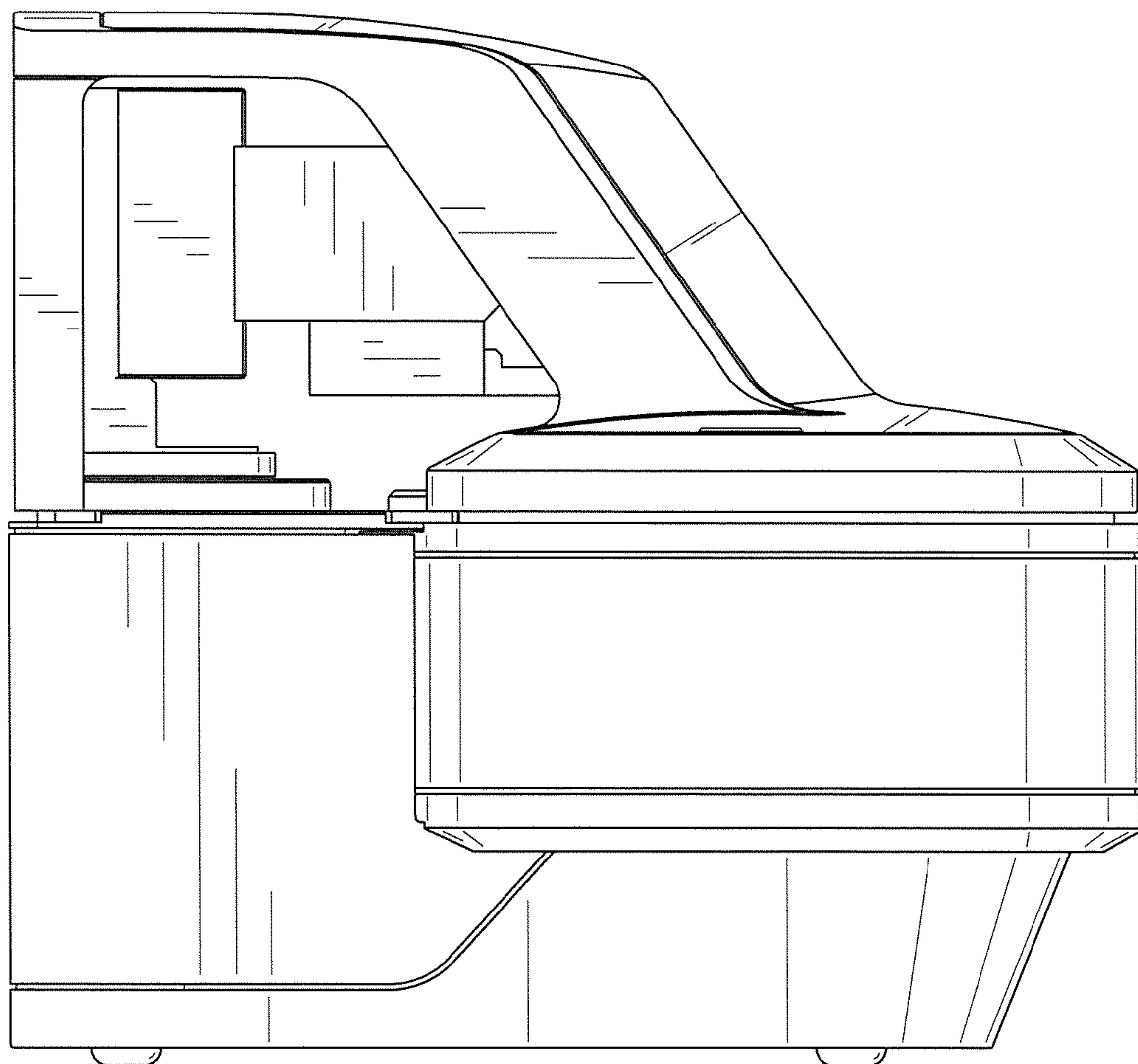


FIG. 4

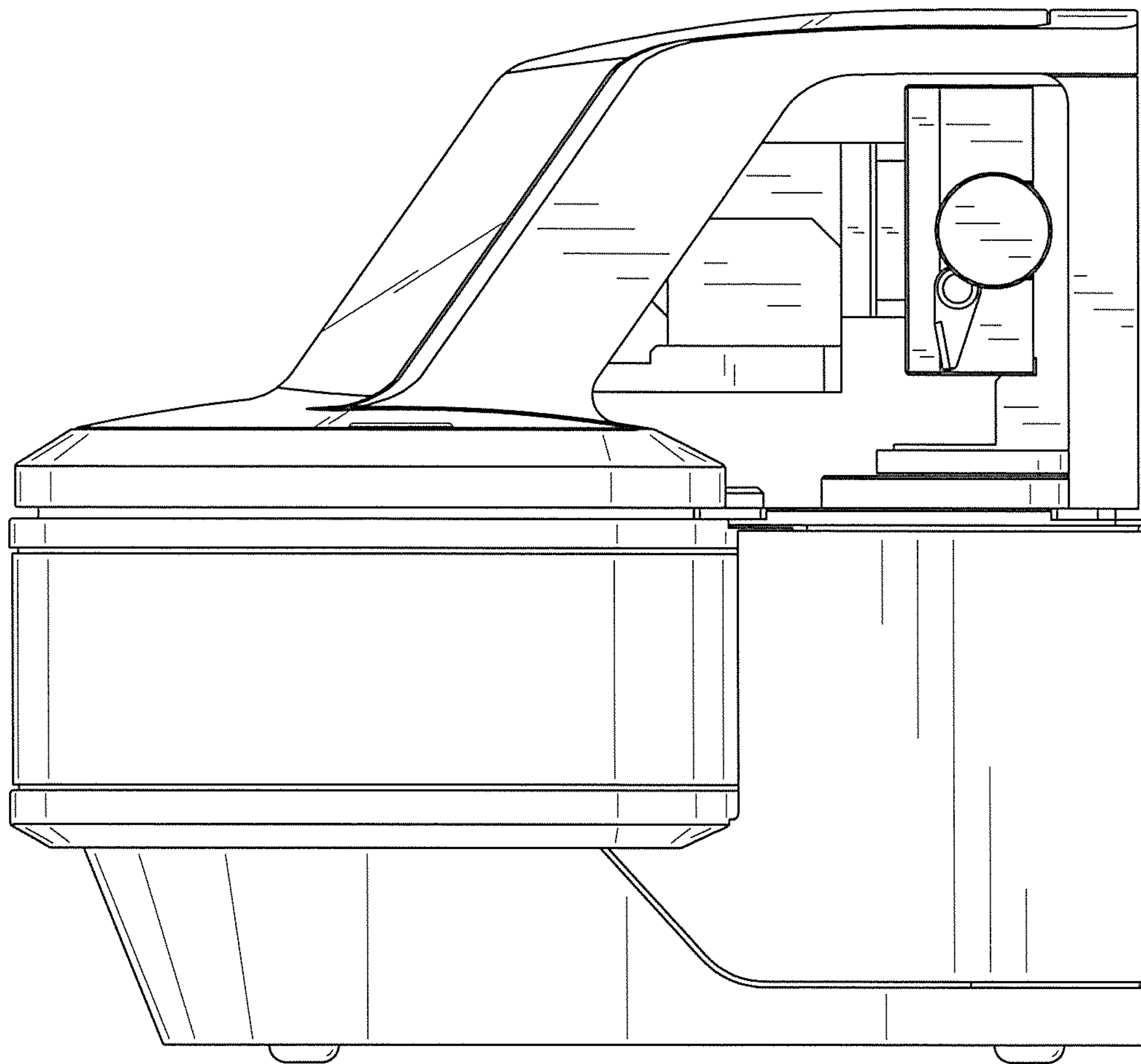


FIG. 5

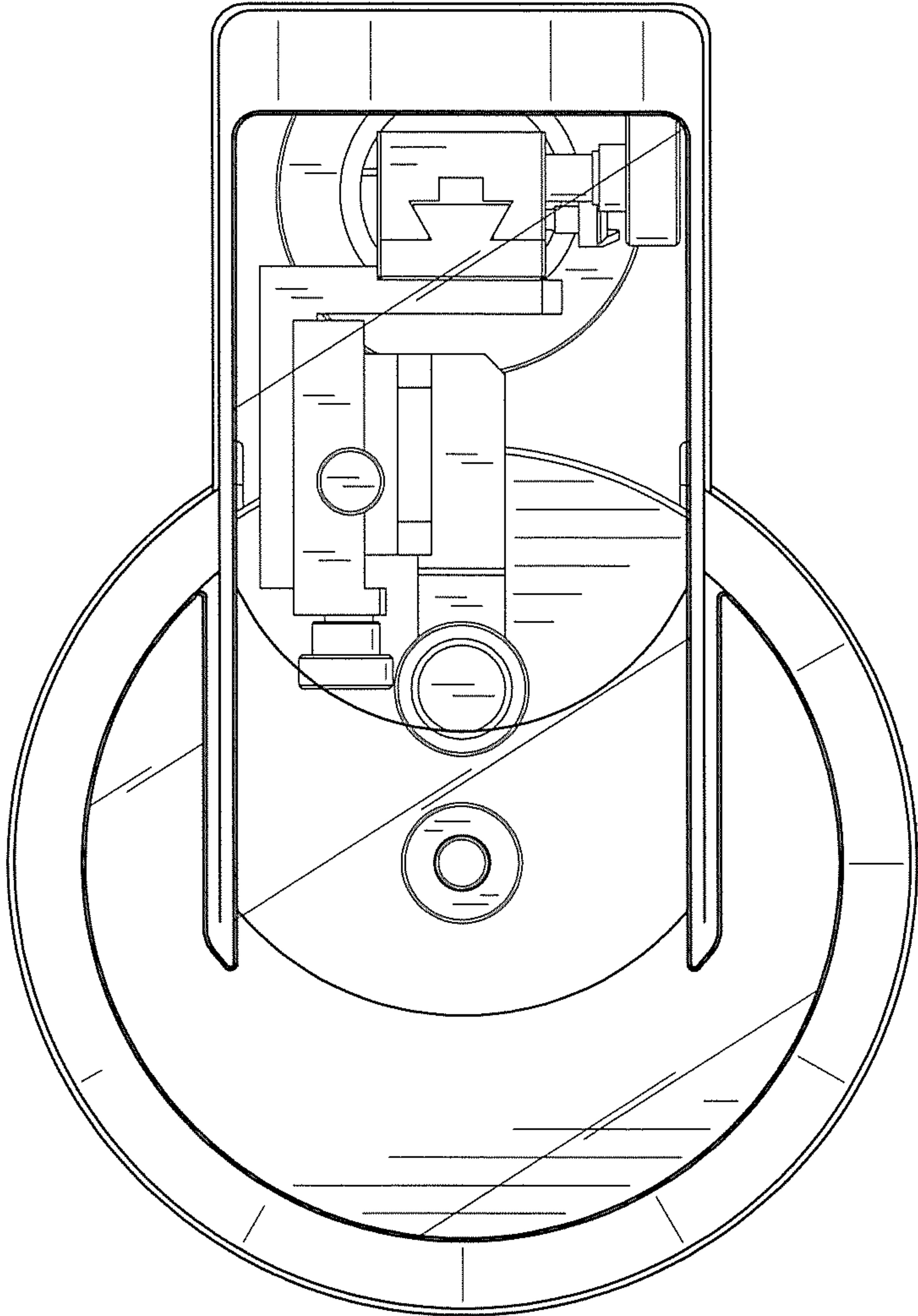


FIG. 6

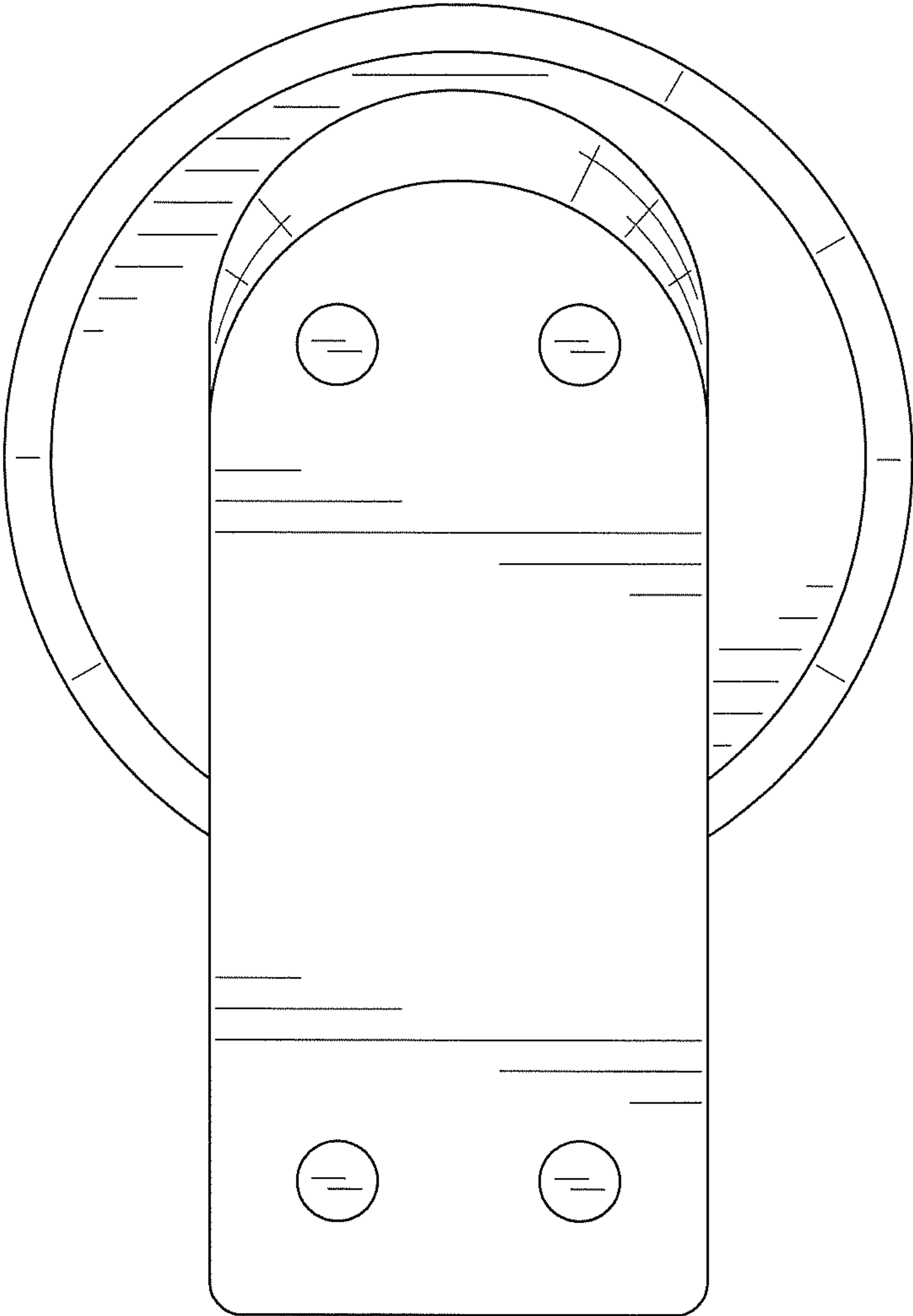


FIG. 7

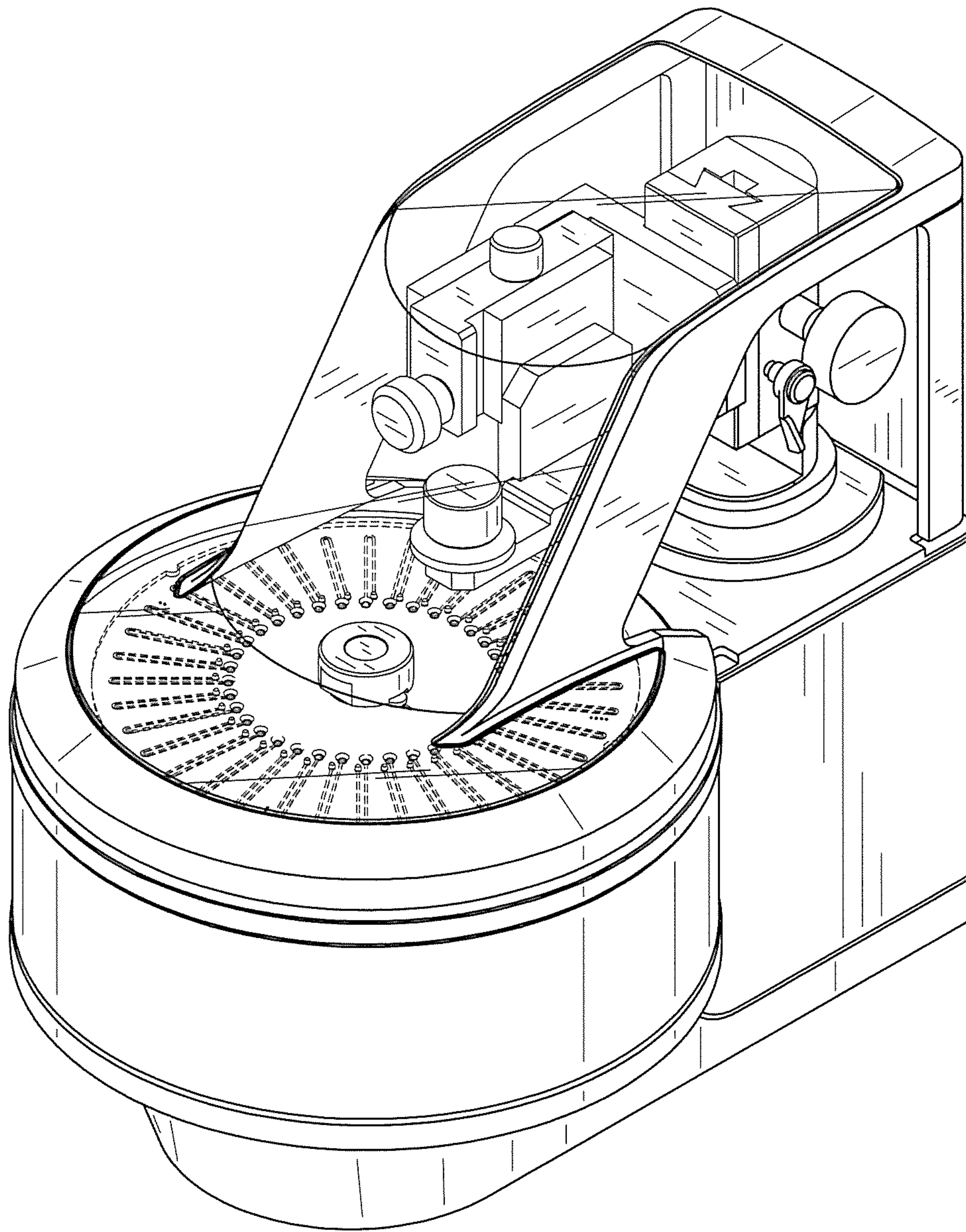


FIG. 8

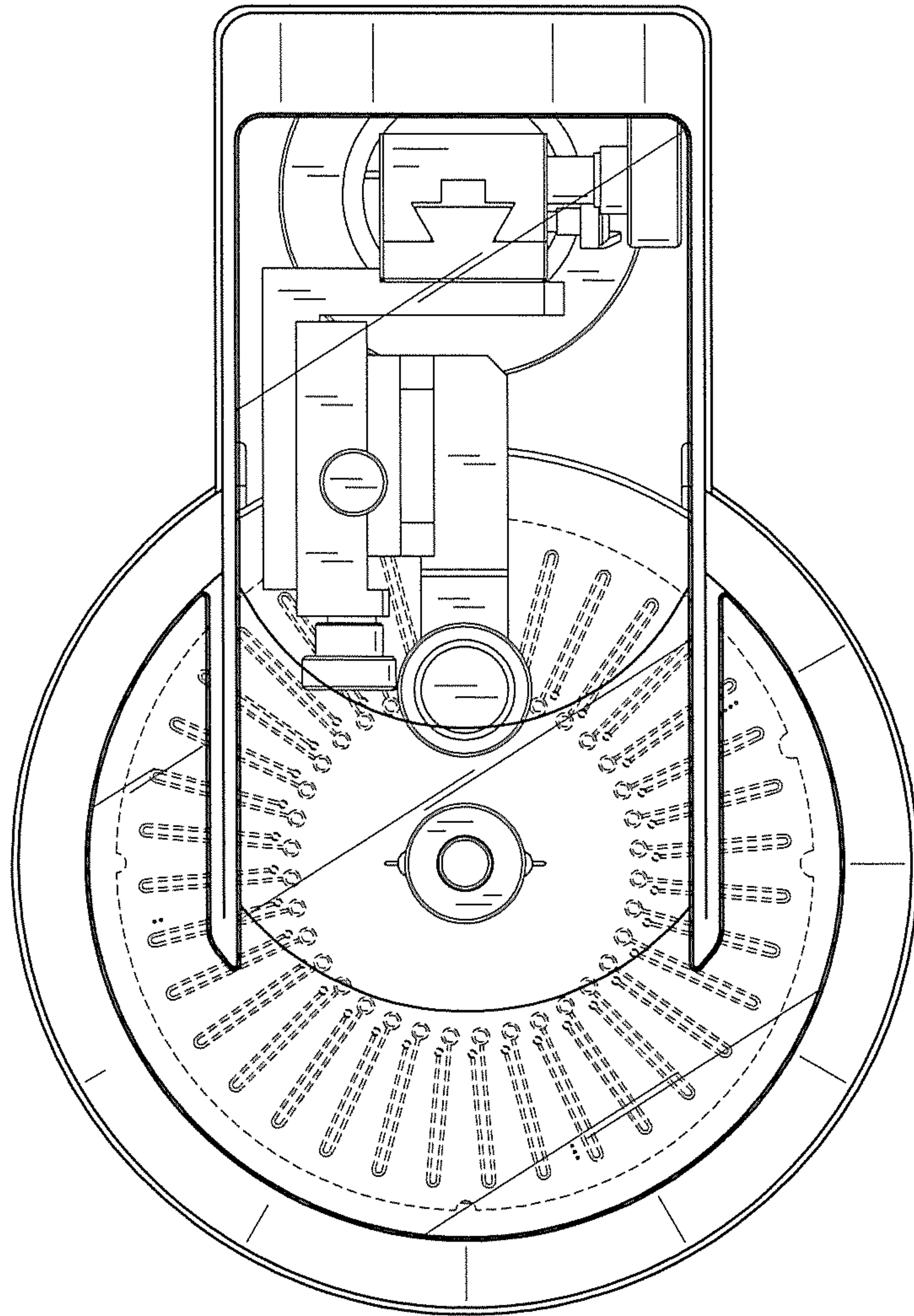


FIG. 9