



US00D717464S

(12) **United States Design Patent**
Wainwright et al.

(10) **Patent No.:** **US D717,464 S**

(45) **Date of Patent:** **** Nov. 11, 2014**

(54) **BASE ASSEMBLY**

(71) Applicant: **Charles River Laboratories, Inc.**,
Wilmington, MA (US)

(72) Inventors: **Norman R. Wainwright**, Johns Island,
SC (US); **Dana M. Nutter**, Charleston,
SC (US); **Eric Stimpson**, Charleston, SC
(US); **Al Fuchs**, Charleston, SC (US);
Bruce Joni Tomson, Charleston, SC
(US); **Thomas Preidel**, Uslar (DE)

(73) Assignee: **Charles River Laboratories, Inc.**,
Wilmington, MA (US)

(**) Term: **14 Years**

(21) Appl. No.: **29/471,693**

(22) Filed: **Nov. 4, 2013**

(51) **LOC (10) Cl.** **24-01**

(52) **U.S. Cl.**
USPC **D24/216; D24/162**

(58) **Field of Classification Search**
USPC D24/216, 223, 224, 225, 226, 121, 162;
D9/503, 504, 529, 548, 549; D7/510,
D7/511, 523; 435/288.7, 308.1, 34;
422/547, 549, 500, 556, 557

See application file for complete search history.

(56) **References Cited**

U.S. PATENT DOCUMENTS

D378,571 S *	3/1997	Bastow	D9/503
D407,491 S *	3/1999	Rocha	D24/162
6,358,730 B1 *	3/2002	Kane	435/287.1
7,393,694 B1 *	7/2008	Schlein et al.	422/547
D620,310 S *	7/2010	Lundberg	D7/396.6
7,977,090 B2 *	7/2011	Hicks	435/308.1
D698,940 S *	2/2014	Pribenszky	D24/224
2012/0058553 A1 *	3/2012	Haywood et al.	422/547

* cited by examiner

Primary Examiner — Anhdao Doan

(74) *Attorney, Agent, or Firm* — Goodwin Procter LLP

(57) **CLAIM**

The ornamental design for a base assembly, as shown and described.

DESCRIPTION

FIG. 1 is a top perspective view of a base assembly with a lid in broken line;

FIG. 2 is a side view of the base assembly;

FIG. 3 is a top view of the base assembly;

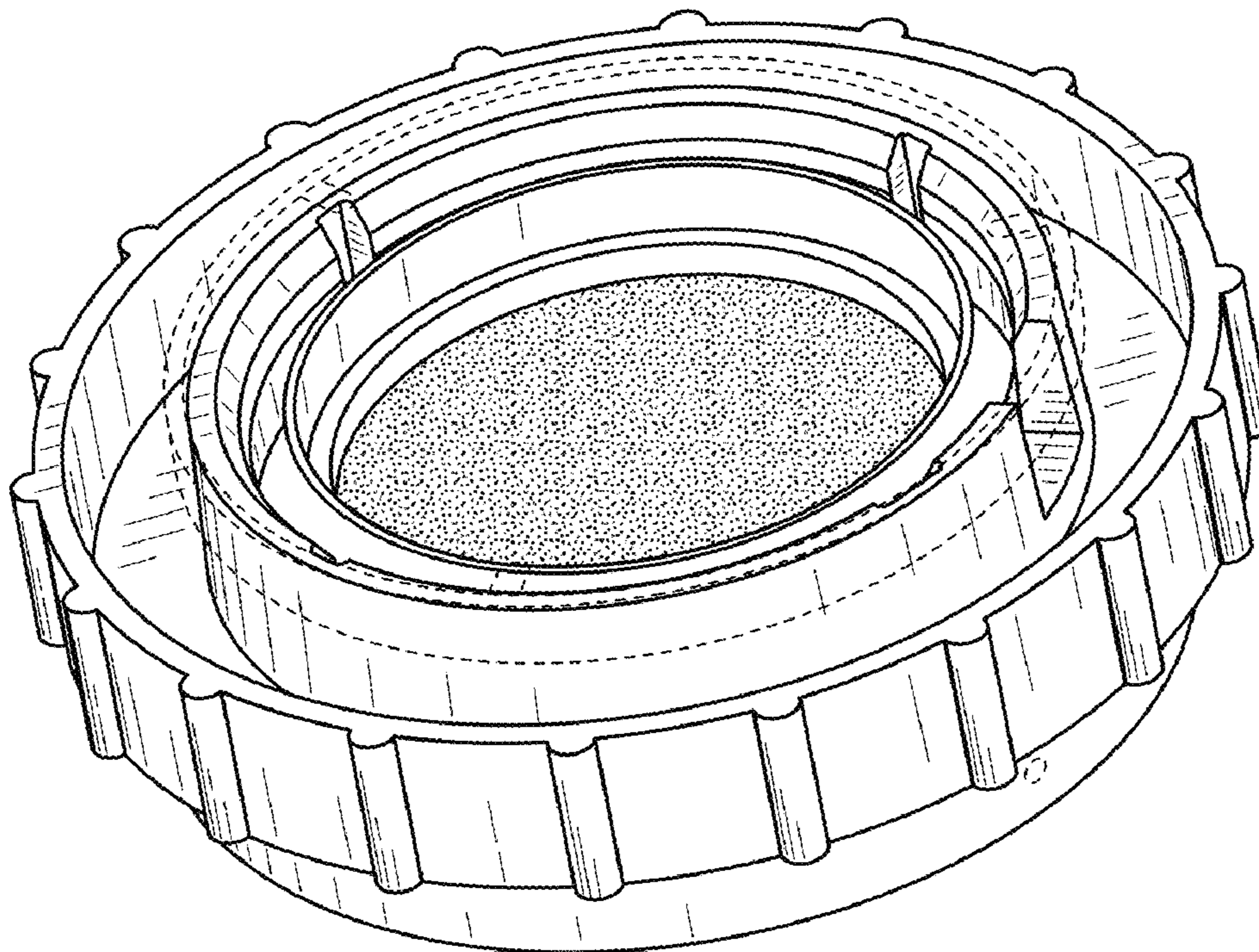
FIG. 4 is a bottom view of the base assembly;

FIG. 5 is a cross-sectional view of the base assembly; and,

FIG. 6 is a bottom perspective view of the base assembly with a lid in broken line.

The broken lines shown in the drawings of a base assembly are for illustrative purposes only and form no part of the claimed design.

1 Claim, 3 Drawing Sheets



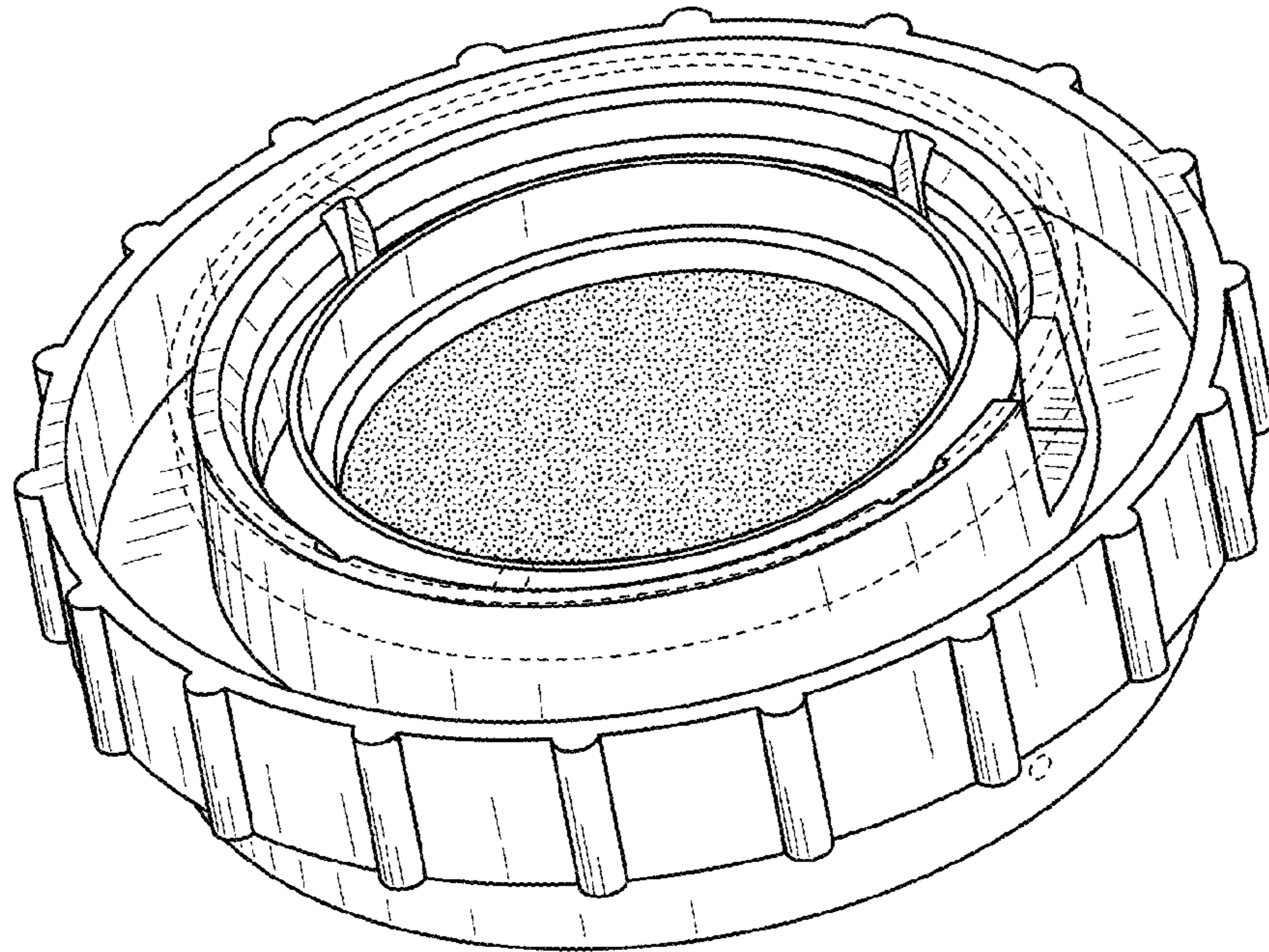


FIG. 1

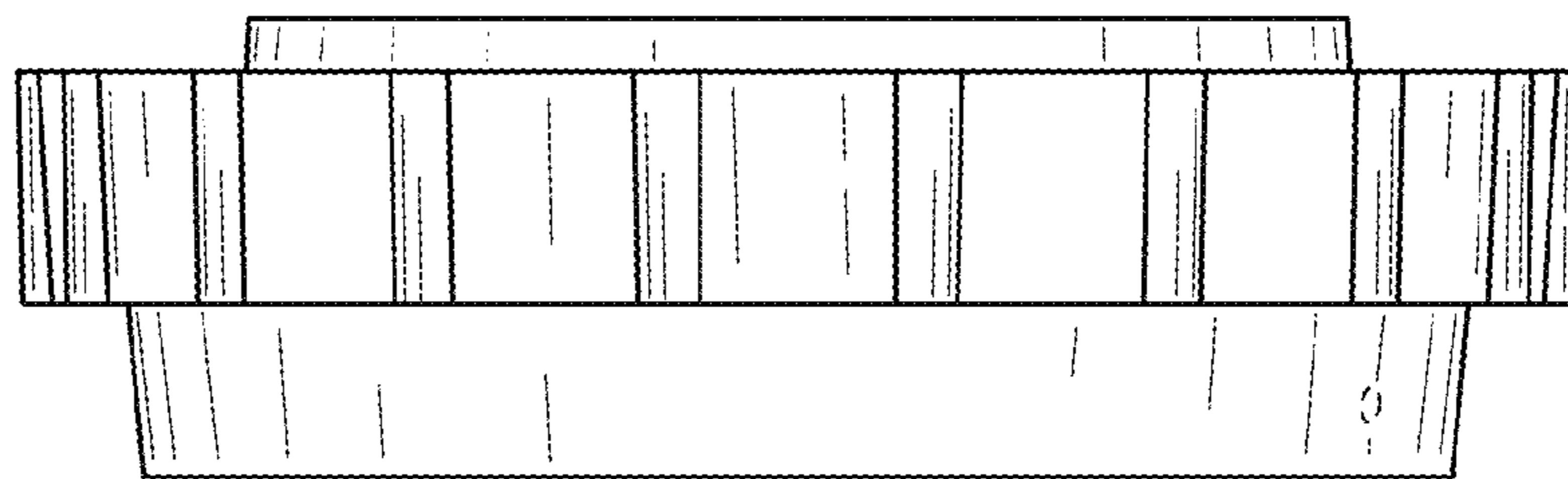


FIG. 2

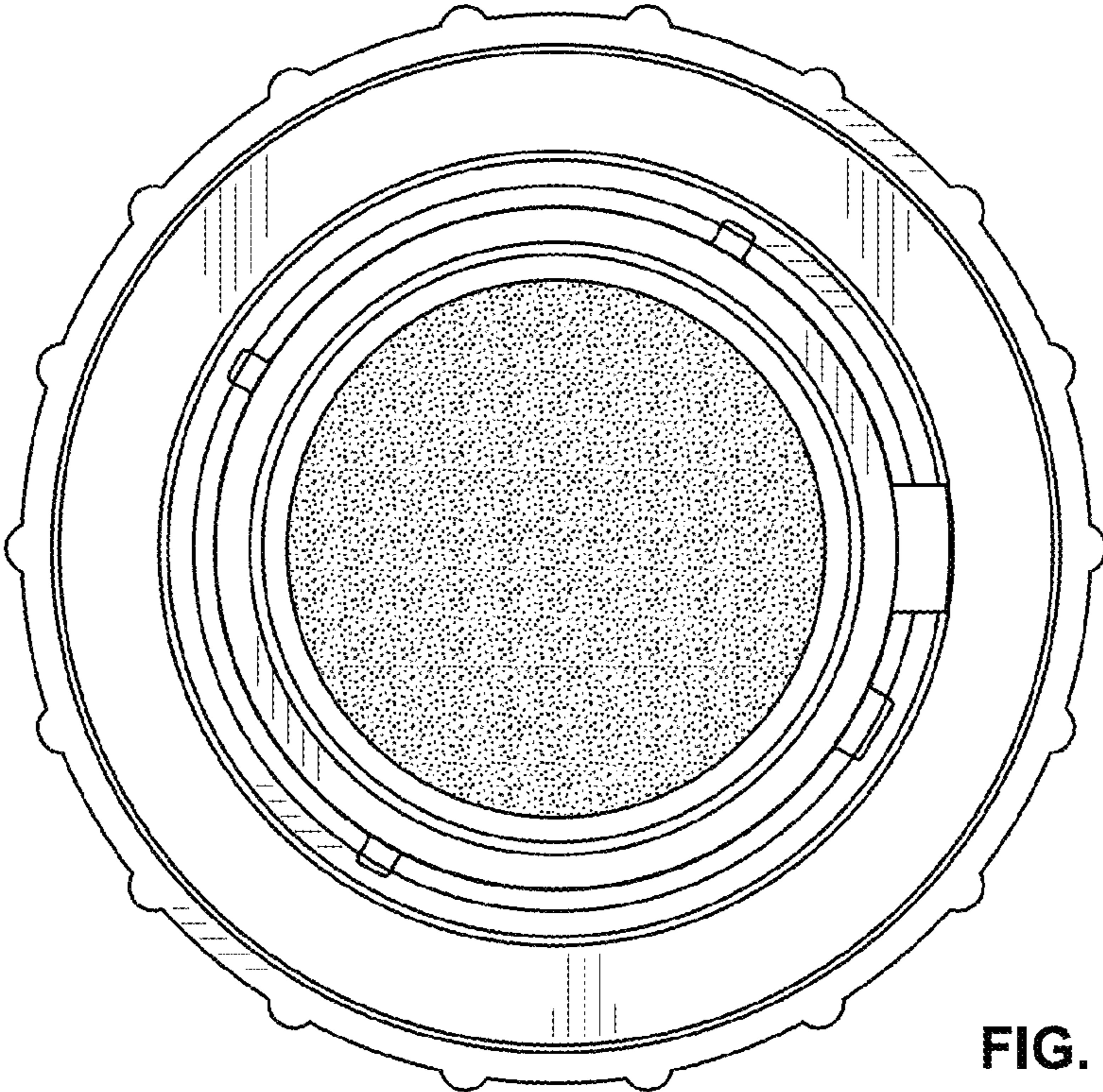


FIG. 3

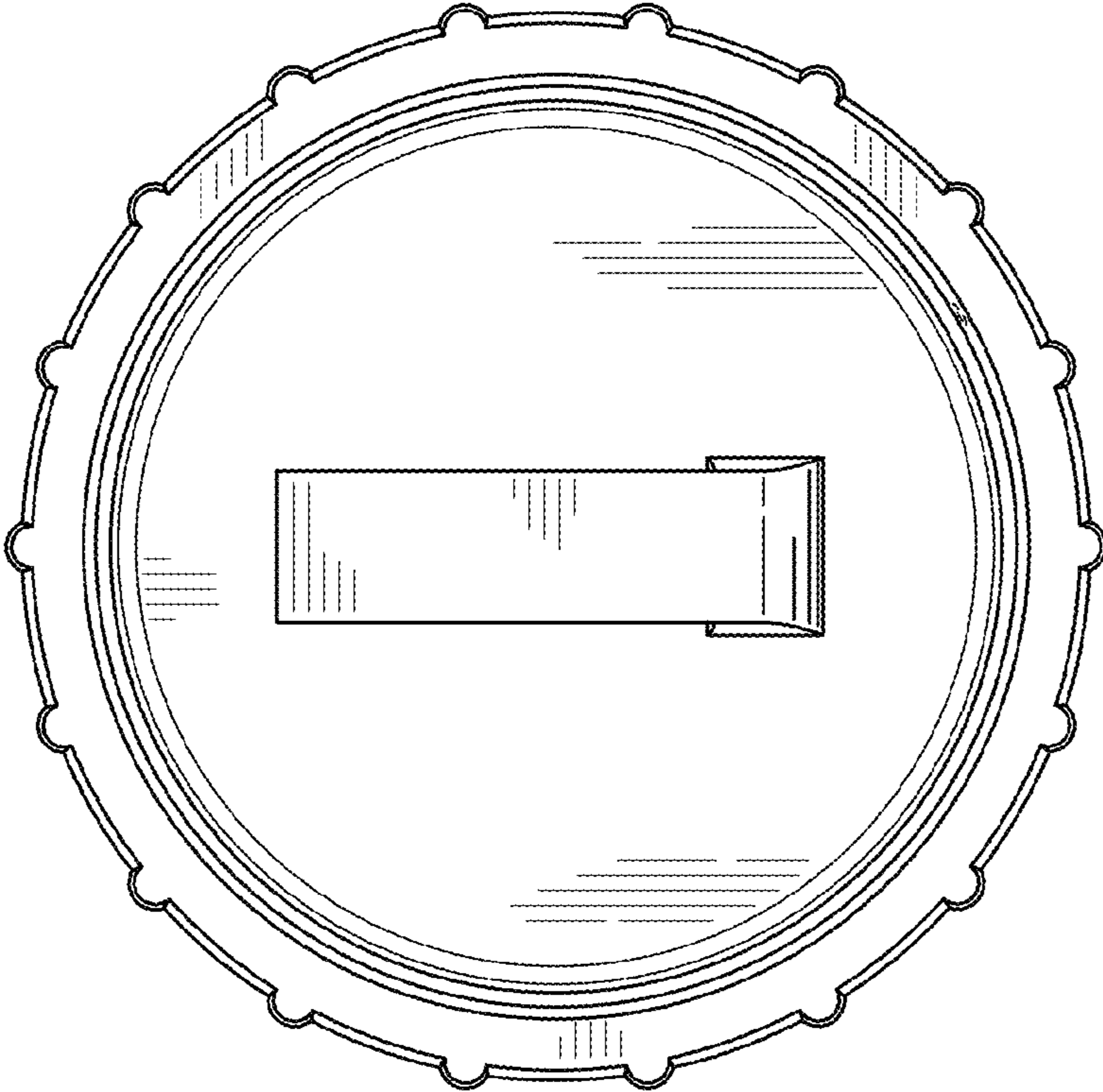


FIG. 4

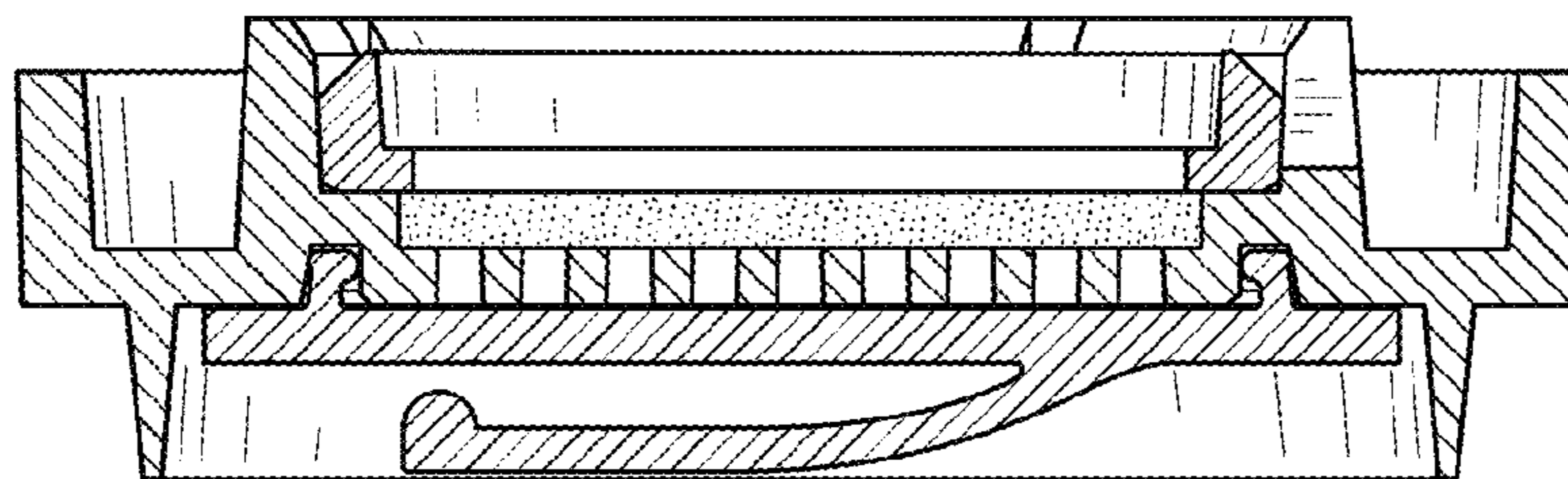


FIG. 5

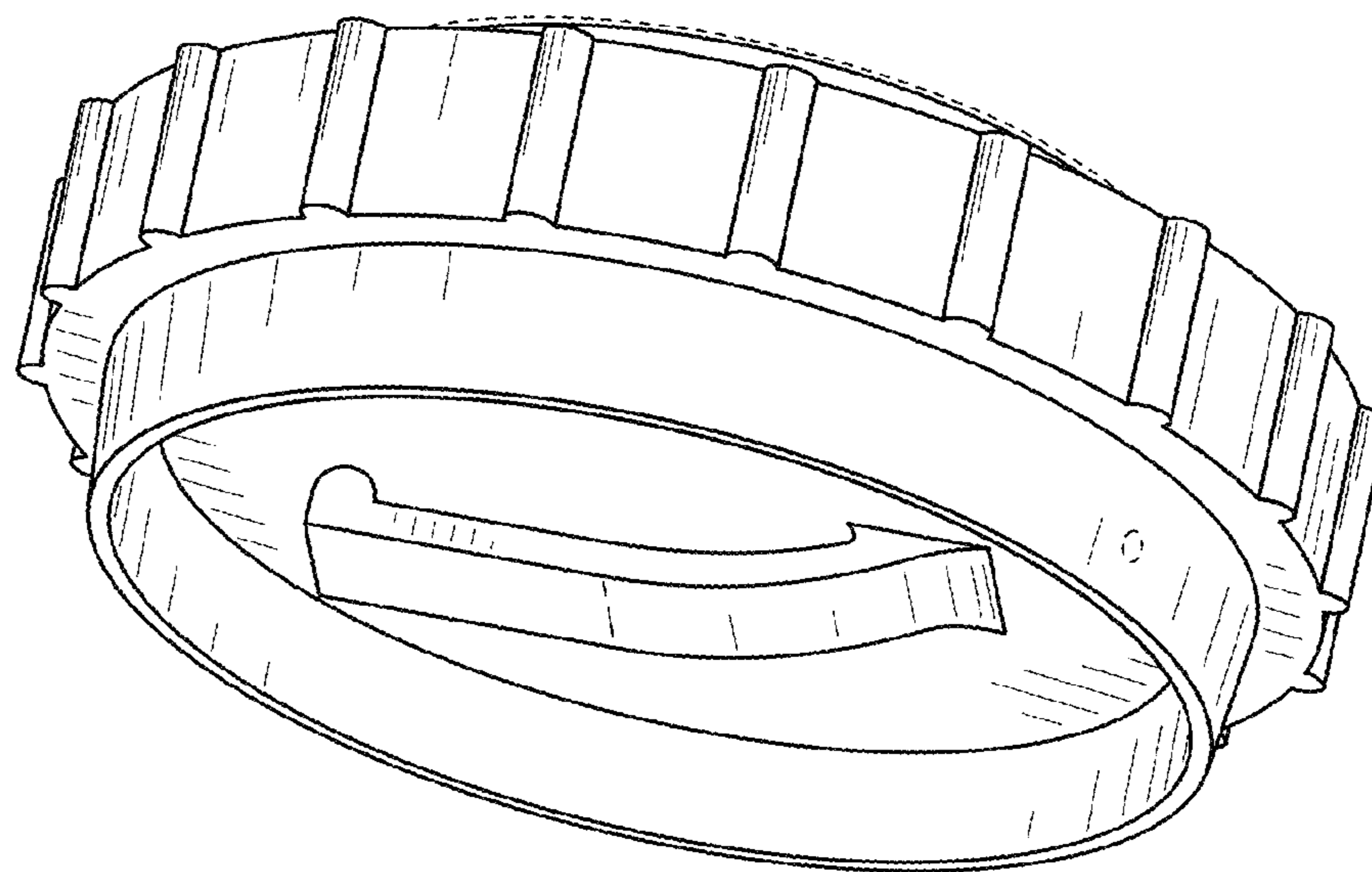


FIG. 6