



US00D717462S

(12) **United States Design Patent**
Wainwright et al.

(10) **Patent No.:** **US D717,462 S**

(45) **Date of Patent:** **** Nov. 11, 2014**

(54) **CELL CAPTURE SYSTEM**

(56)

References Cited

- (71) Applicant: **Charles River Laboratories, Inc.**,
Wilmington, MA (US)
- (72) Inventors: **Norman R. Wainwright**, Johns Island,
SC (US); **Dana M. Nutter**, Charleston,
SC (US); **Eric Stimpson**, Charleston, SC
(US); **Al Fuchs**, Charleston, SC (US);
Bruce Joni Tomson, Charleston, SC
(US); **Thomas Preidel**, Uslar (DE)
- (73) Assignee: **Charles River Laboratories, Inc.**,
Wilmington, MA (US)

U.S. PATENT DOCUMENTS

D249,708	S	*	9/1978	Smith et al.	D24/224
D297,366	S	*	8/1988	Hsei	D24/226
D435,906	S	*	1/2001	Wilkinson et al.	D24/121
6,358,730	B1	*	3/2002	Kane	435/297.5
7,393,694	B1	*	7/2008	Schlein et al.	422/547
D620,310	S	*	7/2010	Lundberg	D7/396.6
D623,764	S	*	9/2010	Py et al.	D24/224
7,977,090	B2	*	7/2011	Hicks	435/308.1
8,163,540	B2	*	4/2012	Acosta	435/297.5
D678,516	S	*	3/2013	Wong	D24/121
D693,467	S	*	11/2013	Doucette et al.	D24/162
D701,426	S	*	3/2014	Cornish	D7/523
2012/0058553	A1	*	3/2012	Haywood et al.	422/547

* cited by examiner

Primary Examiner — Anhdao Doan

(74) *Attorney, Agent, or Firm* — Goodwin Procter LLP

(**) Term: **14 Years**

(21) Appl. No.: **29/471,687**

(22) Filed: **Nov. 4, 2013**

(51) **LOC (10) Cl.** **24-01**

(52) **U.S. Cl.**
USPC **D24/216; D24/224**

(58) **Field of Classification Search**
USPC D24/216, 223, 224, 225, 226, 121, 162;
D9/503, 504, 529, 548, 549; D7/510,
D7/511, 523; 435/288.7, 308.1, 34;
422/547, 549, 500, 556, 557

See application file for complete search history.

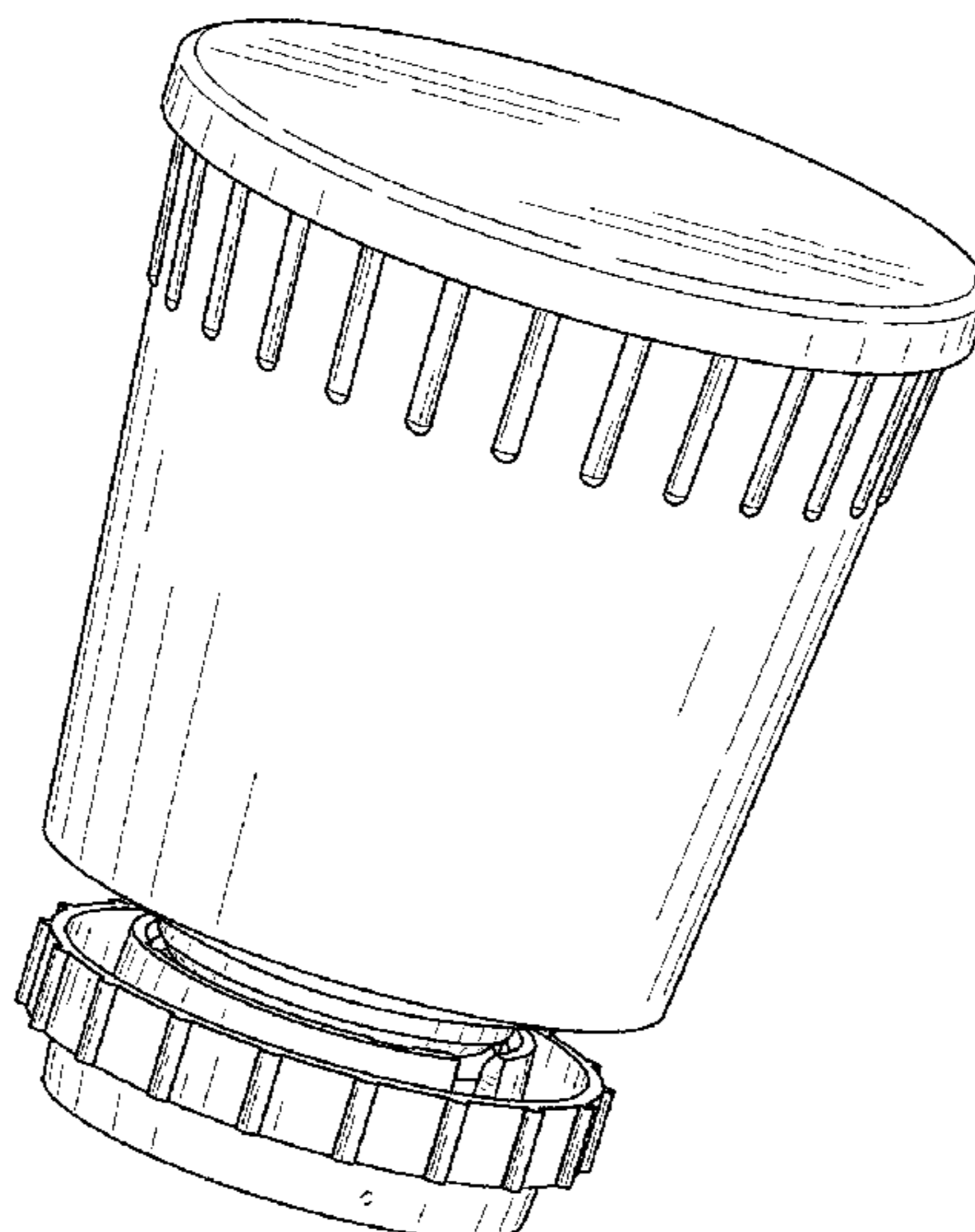
(57) **CLAIM**

The ornamental design for a cell capture system, as shown and described.

DESCRIPTION

FIG. 1 is a top perspective view of a cell capture system;
FIG. 2 is a side view of the cell capture system;
FIG. 3 is a top view of the cell capture system;
FIG. 4 is a bottom view of the cell capture system;
FIG. 5 is a cross-sectional view of the cell capture system;
and,
FIG. 6 is a bottom perspective view of the cell capture system.
The broken lines shown in the drawings of a cell capture system are for illustrative purposes only and form no part of the claimed design.

1 Claim, 3 Drawing Sheets



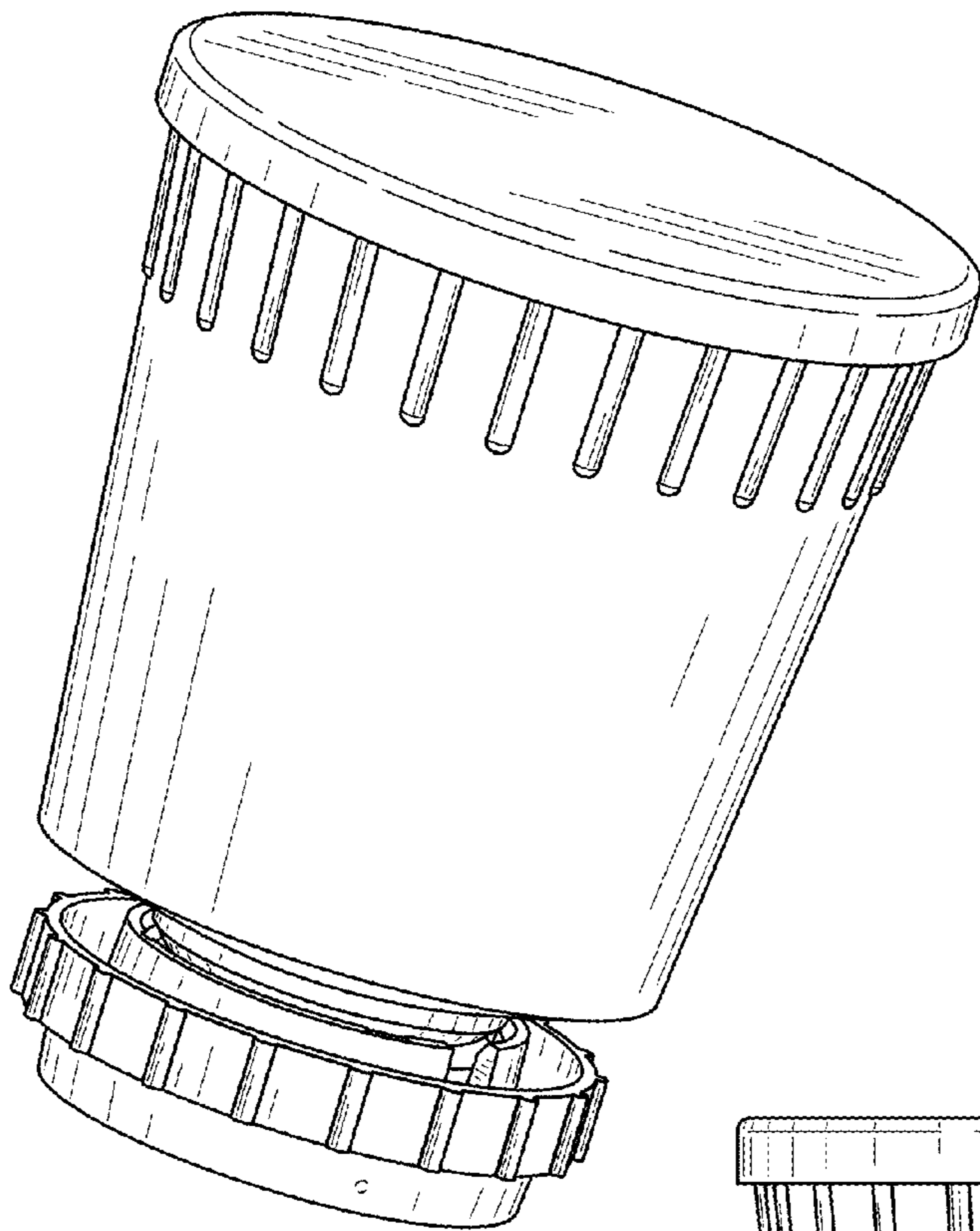


FIG. 1

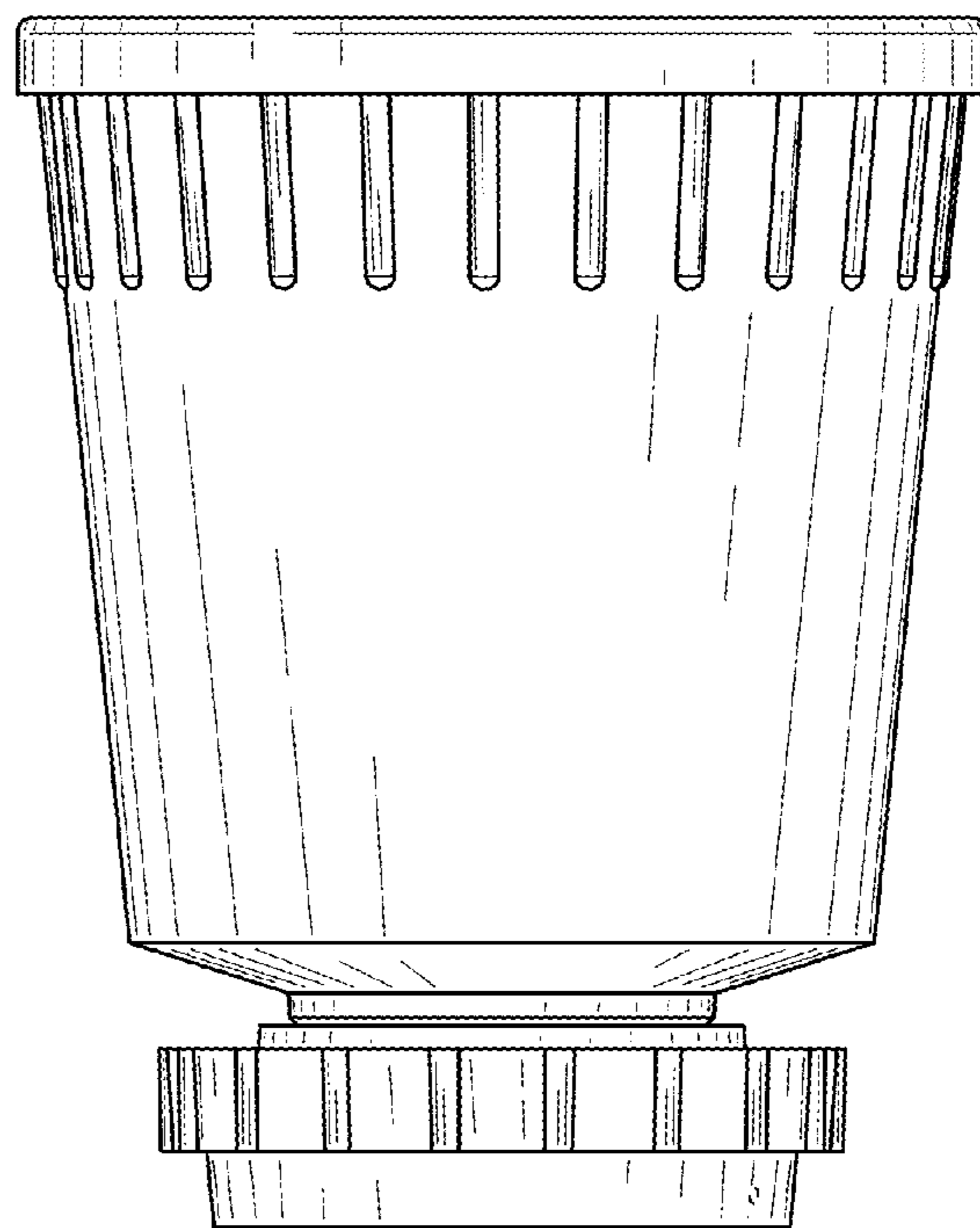


FIG. 2

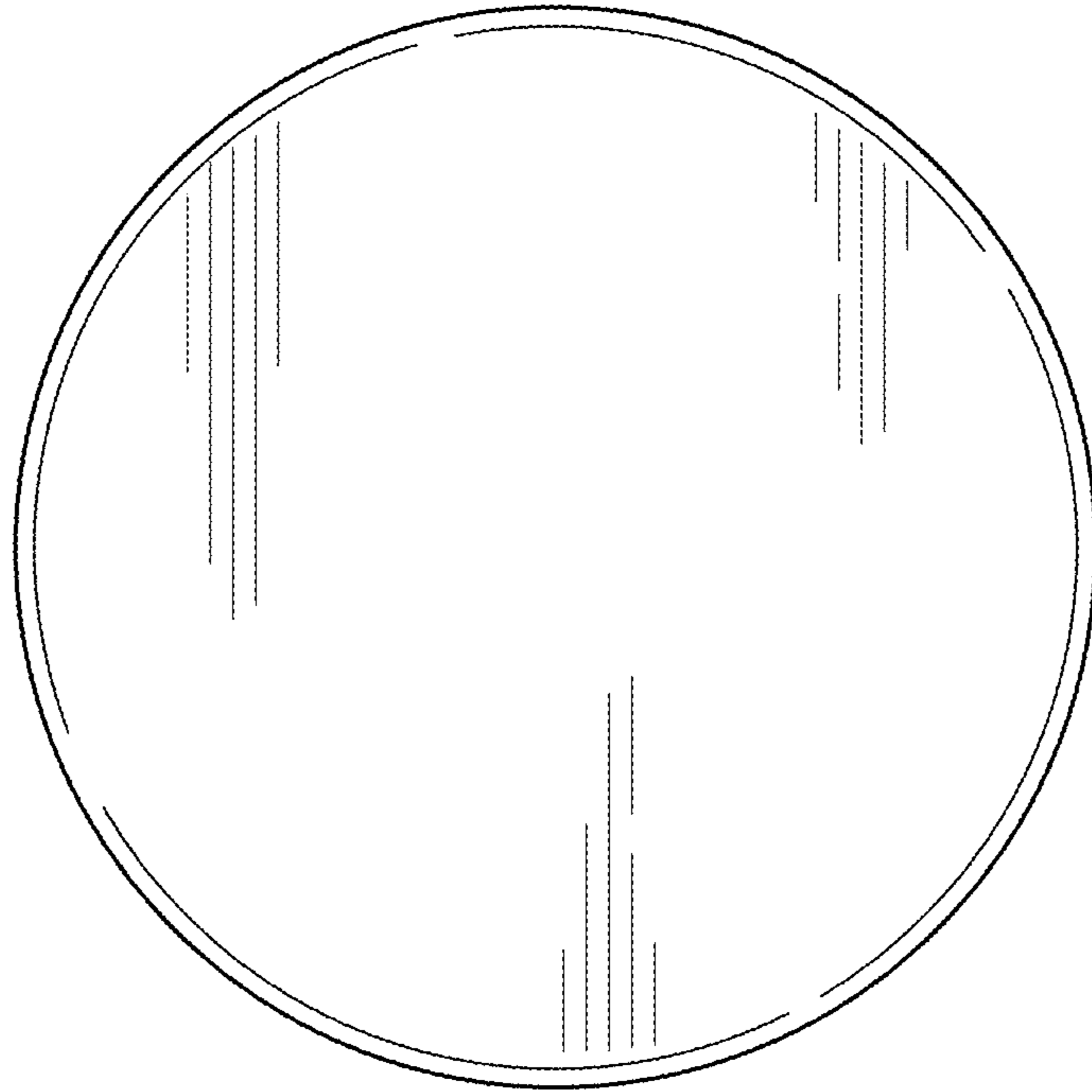


FIG. 3

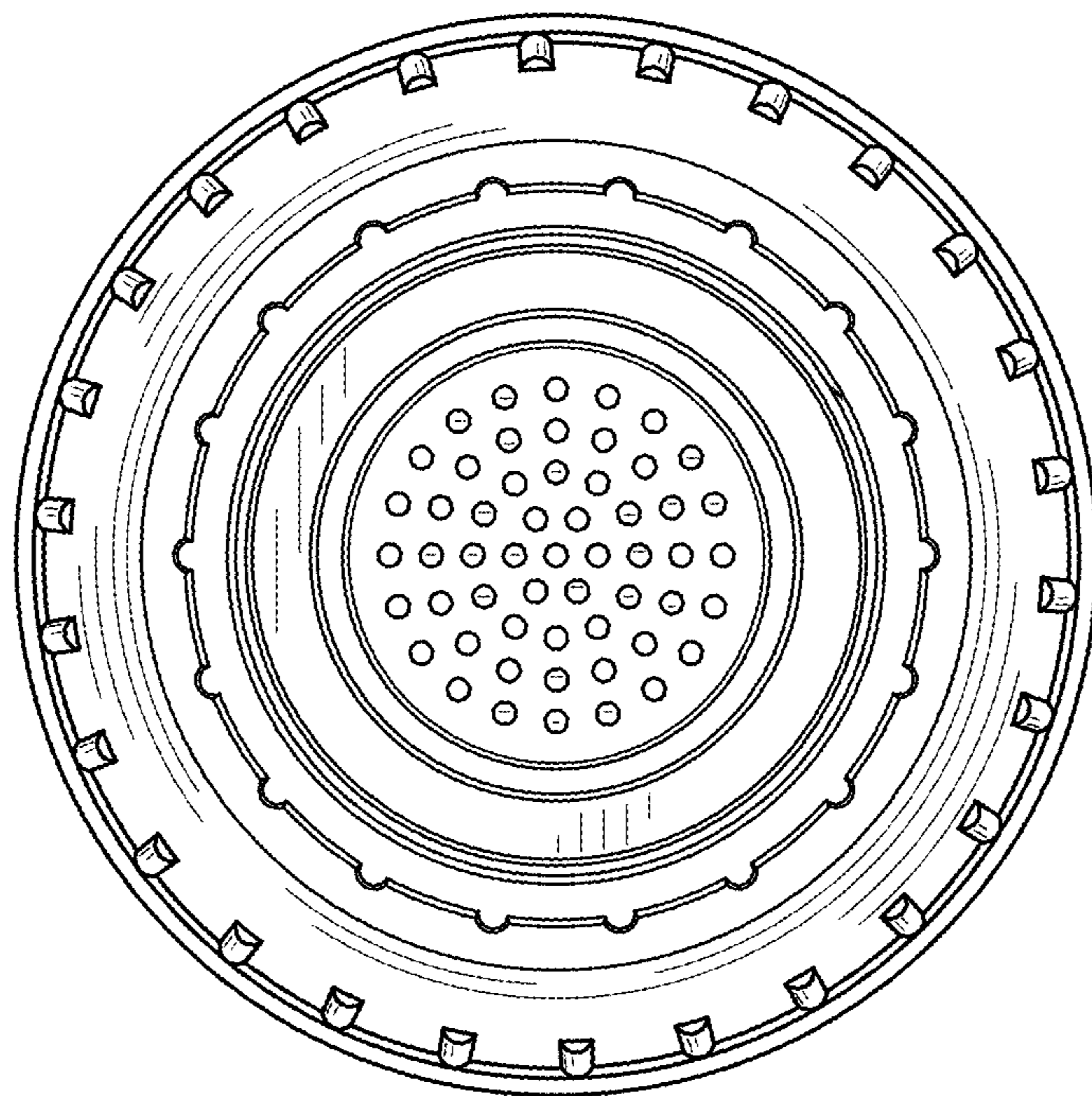


FIG. 4

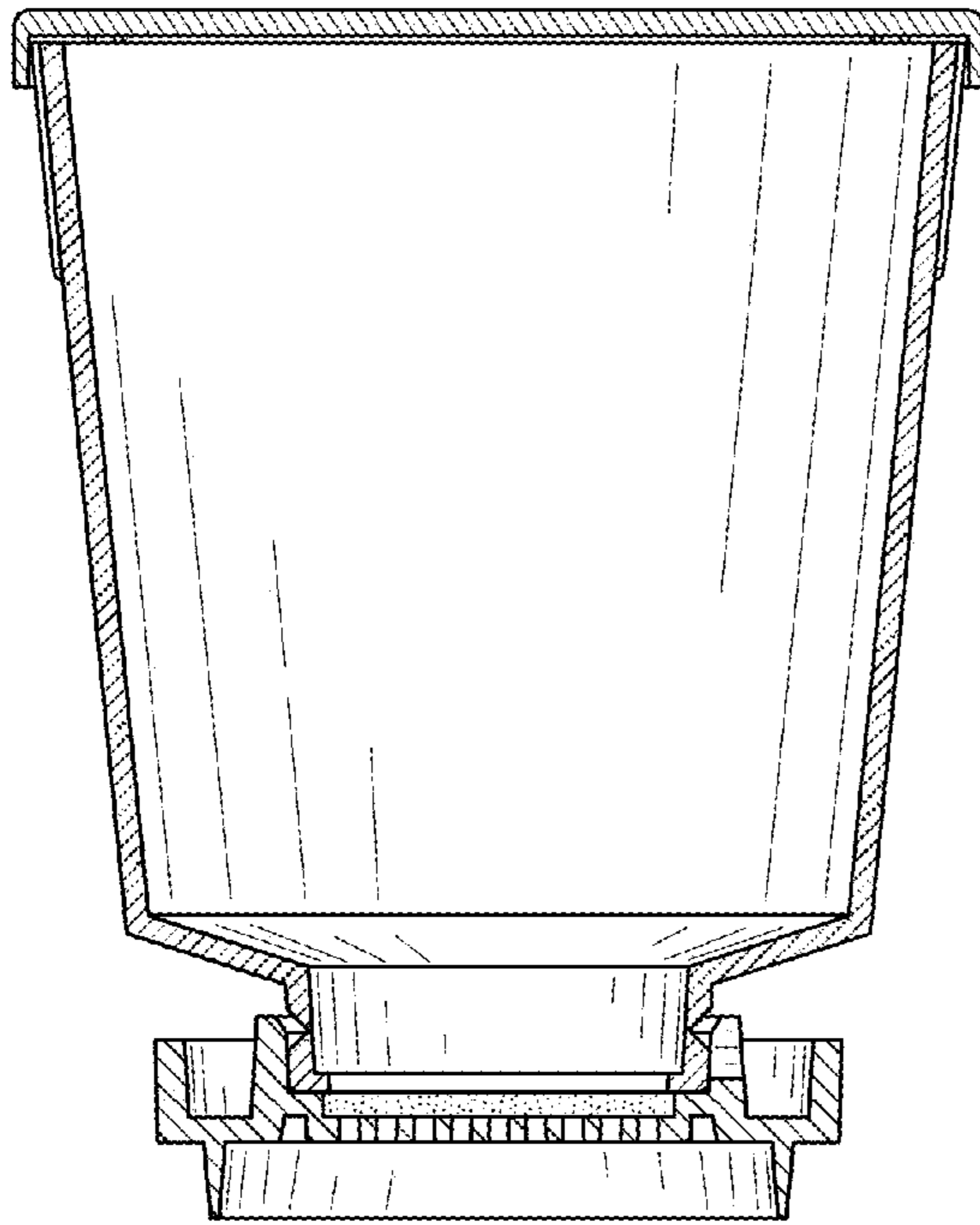


FIG. 5

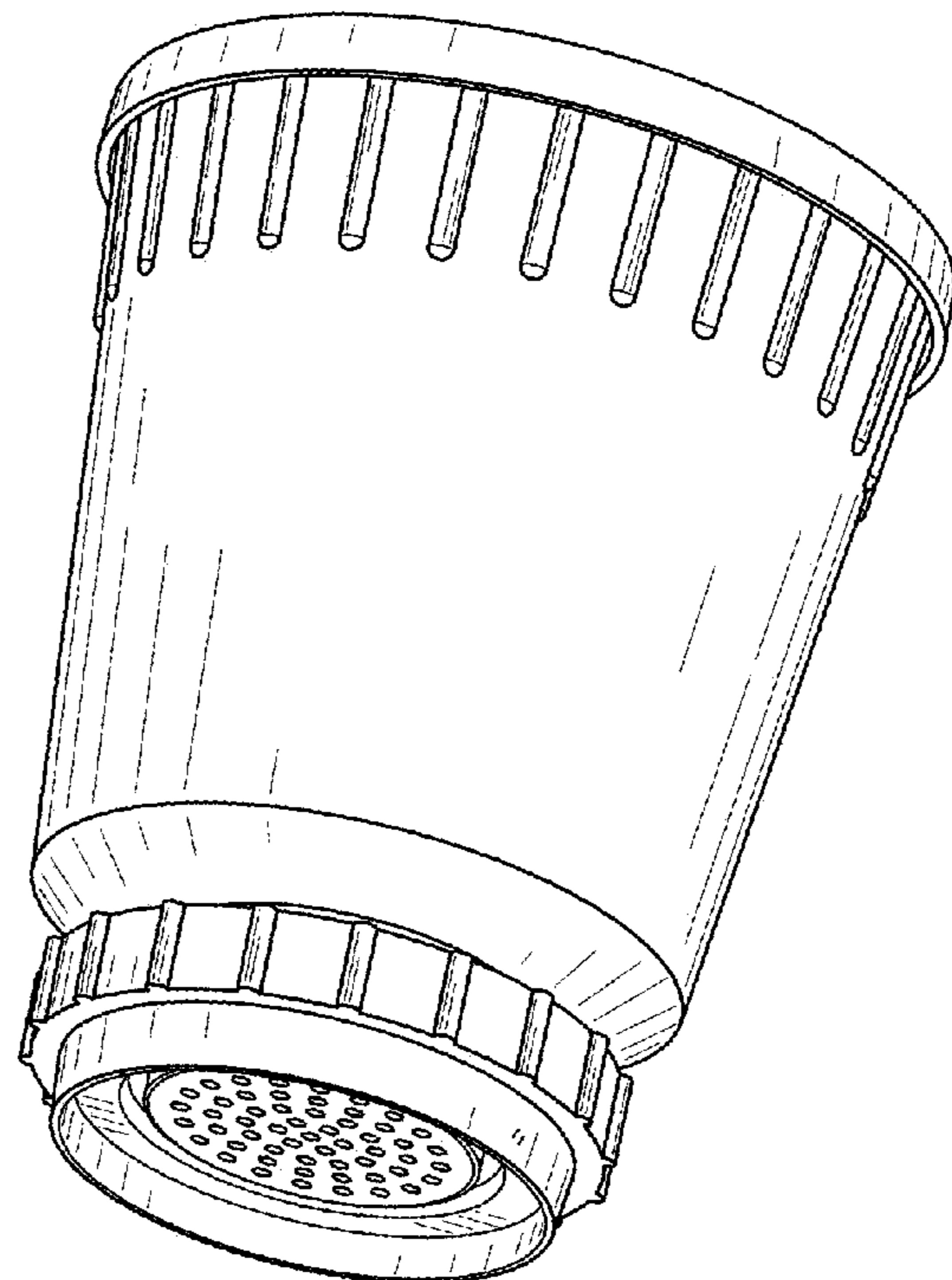


FIG. 6