



US00D717459S

(12) **United States Design Patent**  
**Lin et al.**

(10) **Patent No.:** **US D717,459 S**

(45) **Date of Patent:** **\*\* Nov. 11, 2014**

(54) **DIAGNOSTIC DEVICE**

(71) Applicant: **Edan Diagnostics**, San Diego, CA (US)

(72) Inventors: **Chao Lin**, San Diego, CA (US); **Paul David Swanson**, Santee, CA (US); **Zhixiang Jason Zhao**, Plainsboro, NJ (US)

(73) Assignee: **Edan Diagnostics**, San Diego, CA (US)

(\*\*) Term: **14 Years**

(21) Appl. No.: **29/437,044**

(22) Filed: **Nov. 12, 2012**

(51) **LOC (10) Cl.** ..... **24-01**

(52) **U.S. Cl.**  
USPC ..... **D24/216**

(58) **Field of Classification Search**  
USPC ..... D24/216, 107, 169, 186, 232; D10/81;  
422/62, 68.1, 69, 70, 72, 500;  
435/287.1; 436/43, 45, 47; 204/403.1  
See application file for complete search history.

(56) **References Cited**

**U.S. PATENT DOCUMENTS**

D288,478	S	*	2/1987	Carlson et al.	.....	D24/216
5,042,691	A		8/1991	Maldonado		
D336,514	S		6/1993	Valerio et al.		
D390,661	S	*	2/1998	Foggia	.....	D24/169
D445,509	S		7/2001	Berndt et al.		
D447,569	S	*	9/2001	Baily et al.	.....	D24/186
D489,816	S	*	5/2004	Ross	.....	D24/107
D597,216	S	*	7/2009	McGuigan et al.	.....	D24/216
D634,442	S		3/2011	Tajima et al.		
D638,545	S	*	5/2011	Okawa et al.	.....	D24/186
D647,209	S	*	10/2011	Muller et al.	.....	D24/216
D657,067	S		4/2012	Shibata		
D675,335	S	*	1/2013	Feuerabend et al.	.....	D24/216
D681,231	S	*	4/2013	Steinhauer et al.	.....	D24/232

D694,422	S	*	11/2013	Cook et al.	.....	D24/216
D705,943	S		5/2014	Chang et al.		
8,741,234	B2		6/2014	Wang et al.		
8,741,235	B2		6/2014	Janisch et al.		
2007/0172388	A1		7/2007	Padmanabhan et al.		
2009/0065368	A1		3/2009	Davis et al.		
2010/0273248	A1*		10/2010	Ha et al.	.....	435/287.3
2010/0328405	A1		12/2010	Ness et al.		
2011/0086378	A1		4/2011	Shany et al.		
2011/0198241	A1		8/2011	Murakami		
2011/0229373	A1		9/2011	Asakura		
2011/0287447	A1		11/2011	Norderhaug et al.		

(Continued)

**OTHER PUBLICATIONS**

U.S. Appl. No. 29/437,042, filed Nov. 12, 2012, Lin et al.

(Continued)

*Primary Examiner* — Anhdao Doan

(74) *Attorney, Agent, or Firm* — Foley & Lardner LLP; Gilberto M. Villacorta; Karl F. Reichenberger

(57) **CLAIM**

We claim the ornamental design for a diagnostic device, as shown and described.

**DESCRIPTION**

FIG. 1 is a top, front, right perspective view of an embodiment of the claimed design;

FIG. 2 is a top, front, left perspective view thereof;

FIG. 3 is a front elevation view thereof;

FIG. 4 is a rear elevation view thereof;

FIG. 5 is a right elevation view thereof;

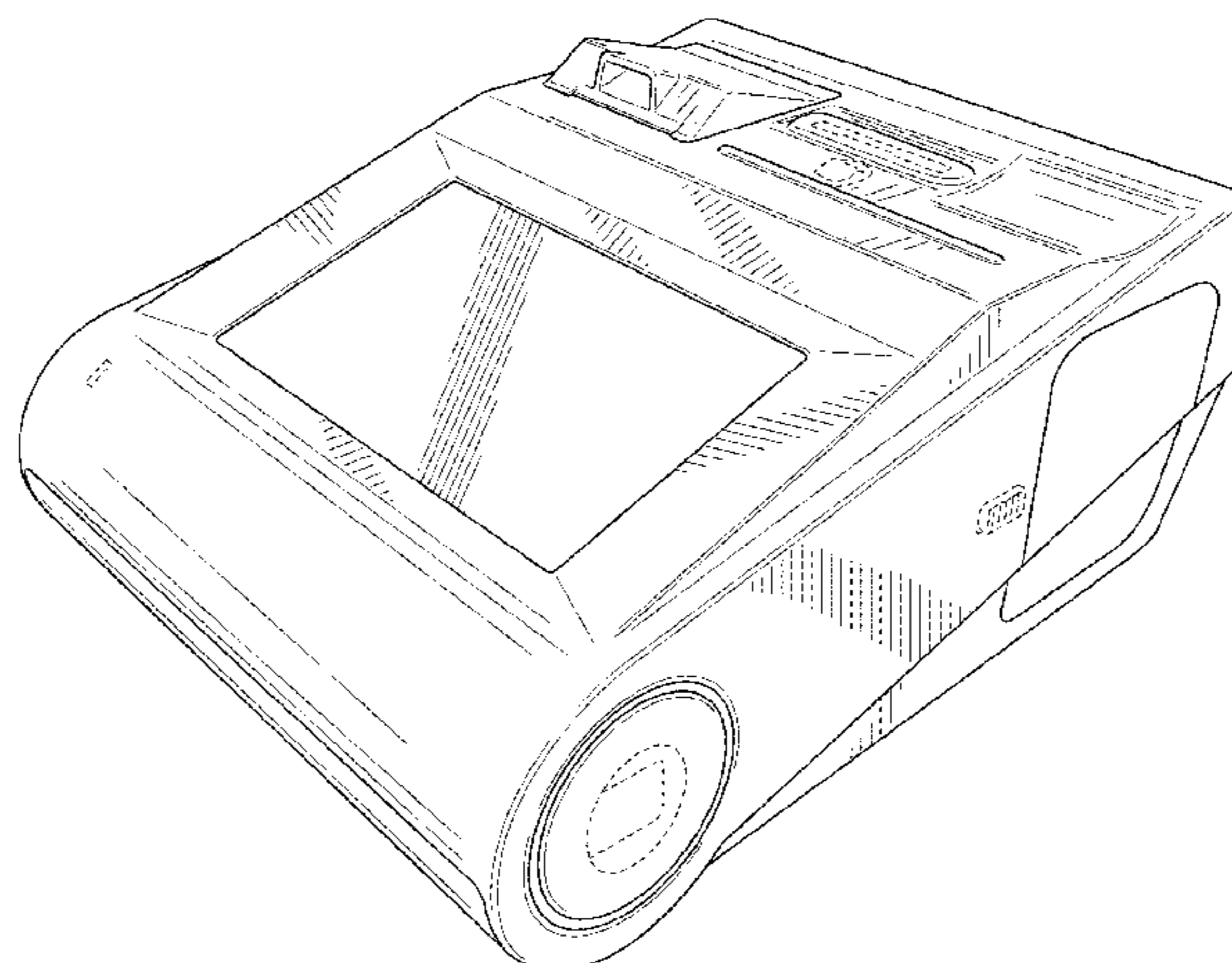
FIG. 6 is a left elevation view thereof;

FIG. 7 is a top plan view thereof; and,

FIG. 8 is a bottom plan view thereof.

The broken lines in the drawings are for purposes of illustrating unclaimed portions of the diagnostic device and form no part of the claimed design.

**1 Claim, 8 Drawing Sheets**



(56)

**References Cited**

U.S. PATENT DOCUMENTS

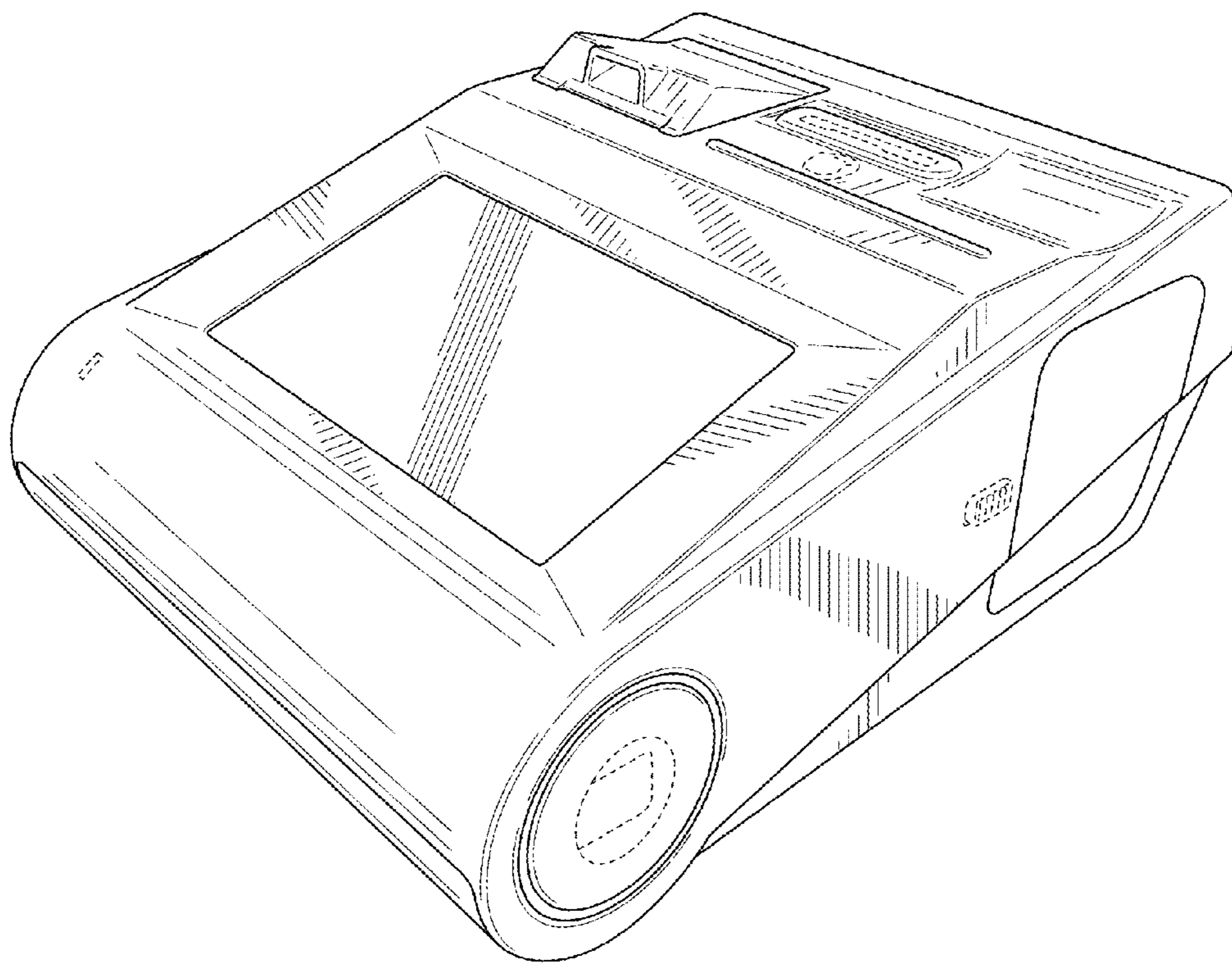
2012/0179101 A1 7/2012 Briones et al.  
2012/0193376 A1 8/2012 Evans et al.  
2012/0218740 A1 8/2012 Estes et al.  
2013/0140177 A1 6/2013 Lin et al.  
2013/0140179 A1 6/2013 Lin et al.  
2013/0142709 A1 6/2013 Lin et al.

OTHER PUBLICATIONS

U.S. Appl. No. 29/437,043, filed Nov. 12, 2012, Lin et al.  
Search Report and Written Opinion for Int'l Appln No. PCT/  
US2012/068299, mailed Apr. 1, 2013.

US Office Action on 104218-0200 mailed Jun. 5, 2013.  
US Office Action on 104218-0300 mailed Jun. 5, 2013.  
Non-Final Office Action mailed Jan. 14, 2014, as received in co-  
pending Design U.S. Appl. No. 29/437,043.  
Notice of Allowance mailed Jan. 17, 2014, as received in co-pending  
Design U.S. Appl. No. 29/437,042.  
Notice of Allowance issued in related U.S. Appl. No. 29/437,043,  
dated Jul. 2, 2014.  
International Preliminary Report on Patentability issued in related  
International Patent Application No. PCT/US2012/068299, dated  
Jun. 10, 2014.

\* cited by examiner



**FIG. 1**

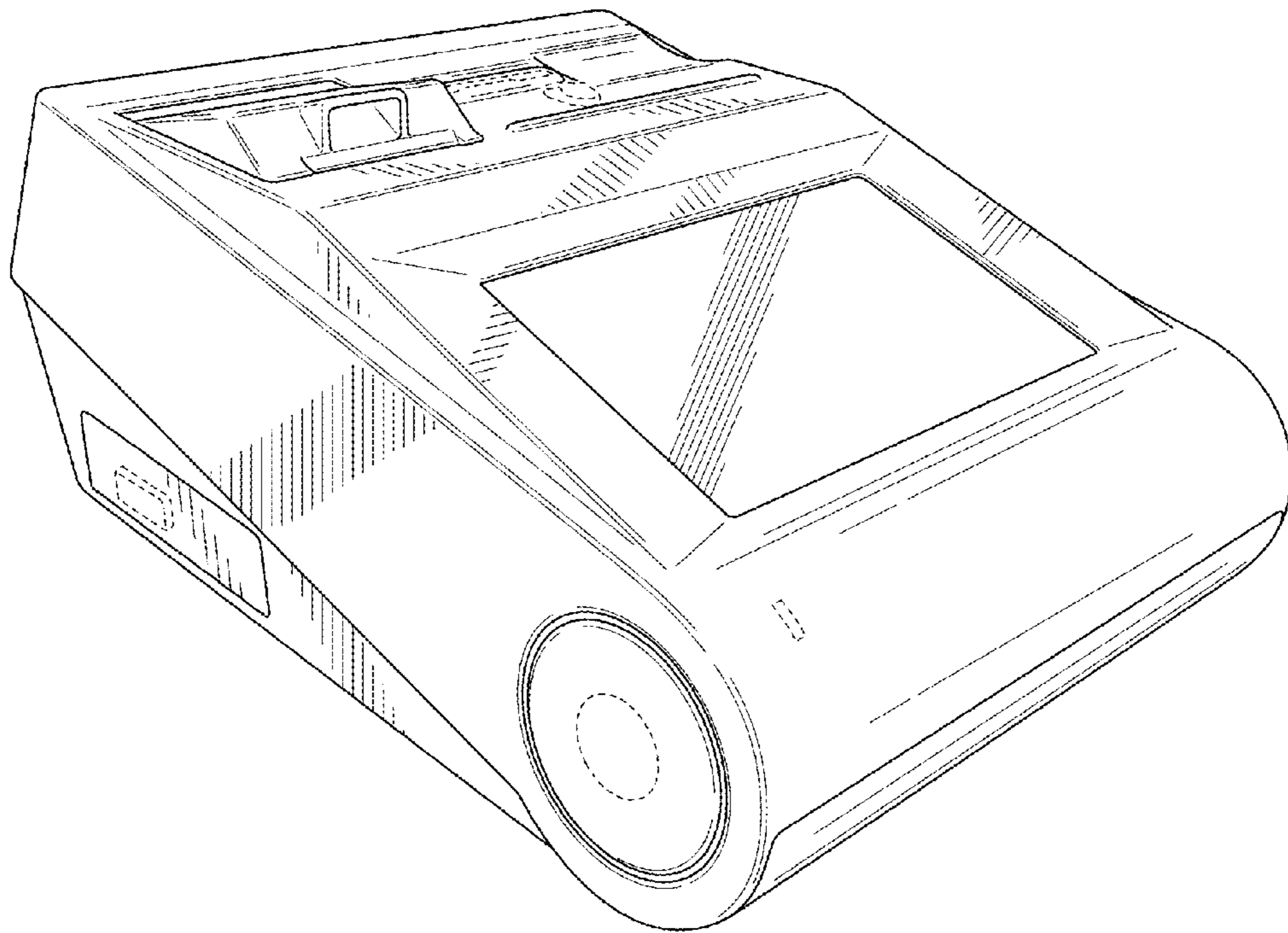
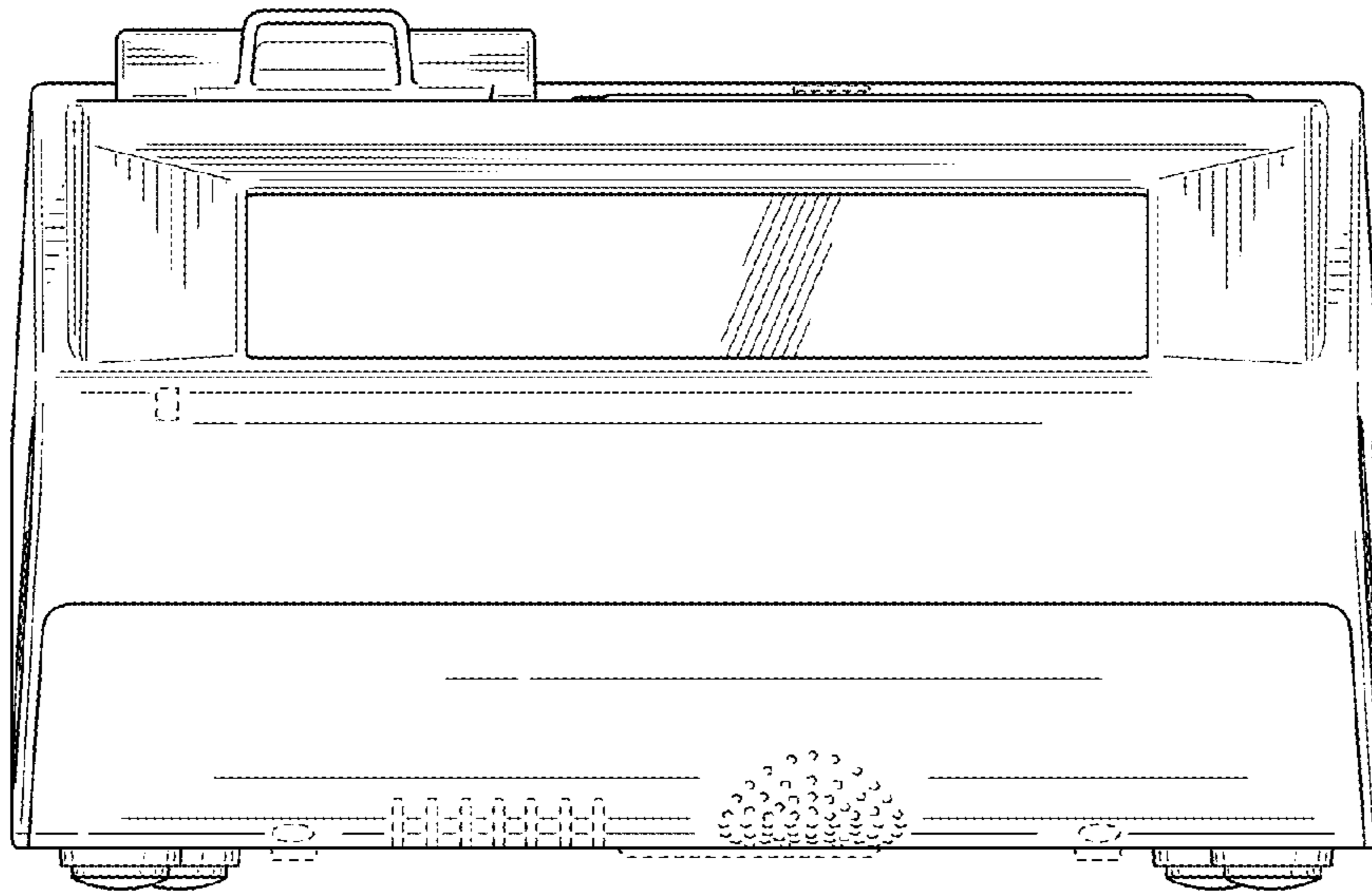


FIG. 2





**FIG. 3**

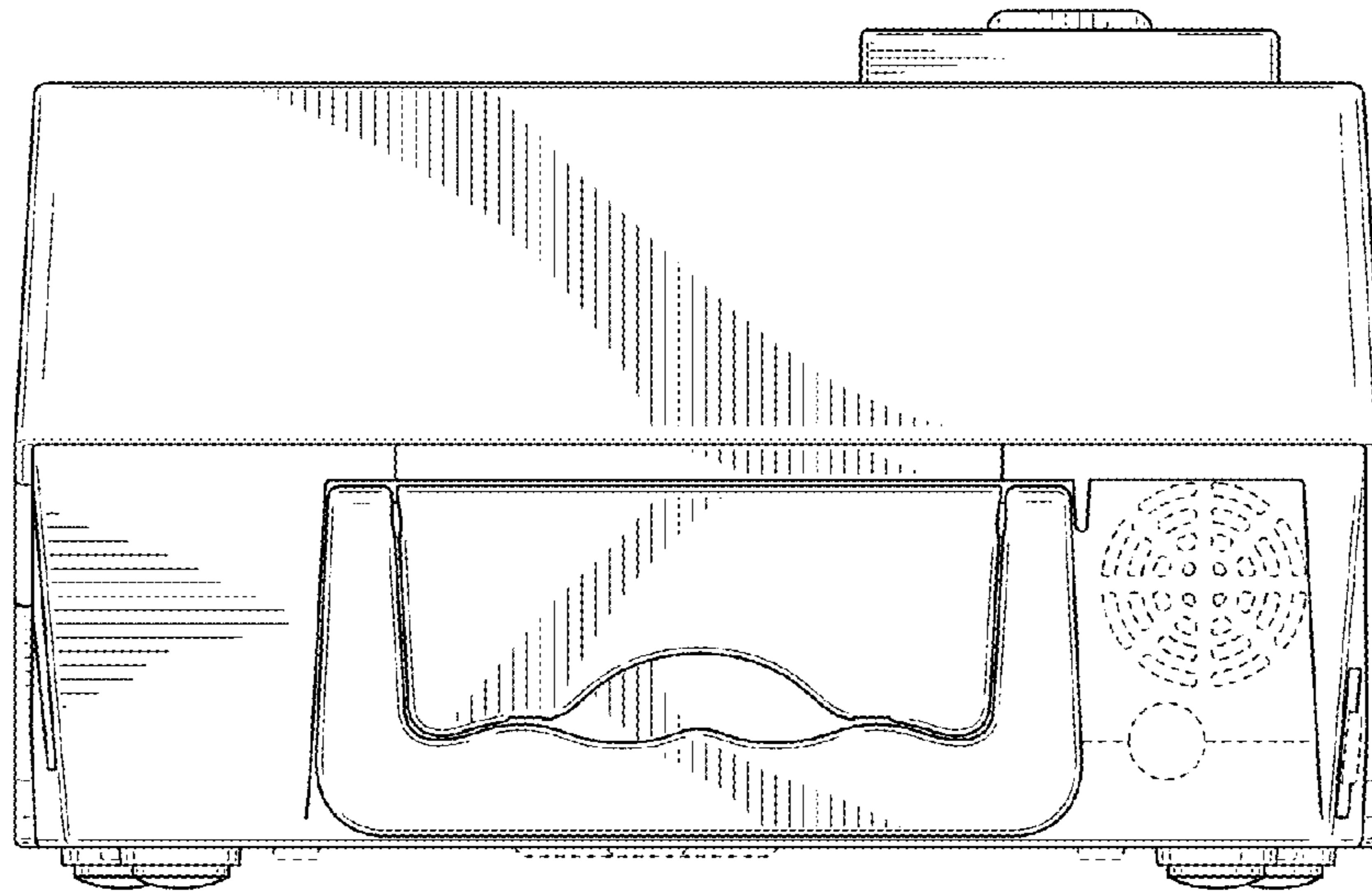


FIG. 4

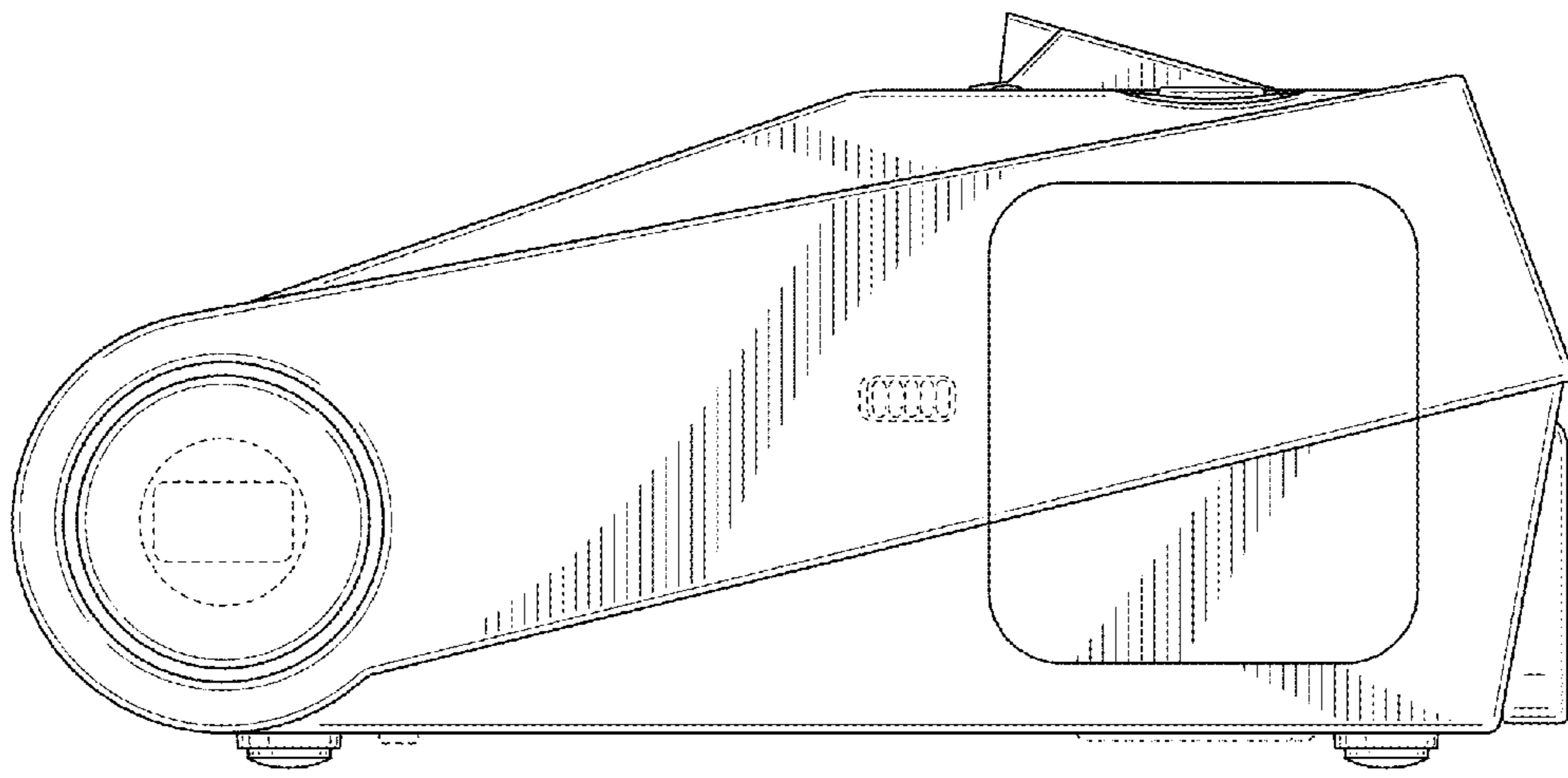


FIG. 5

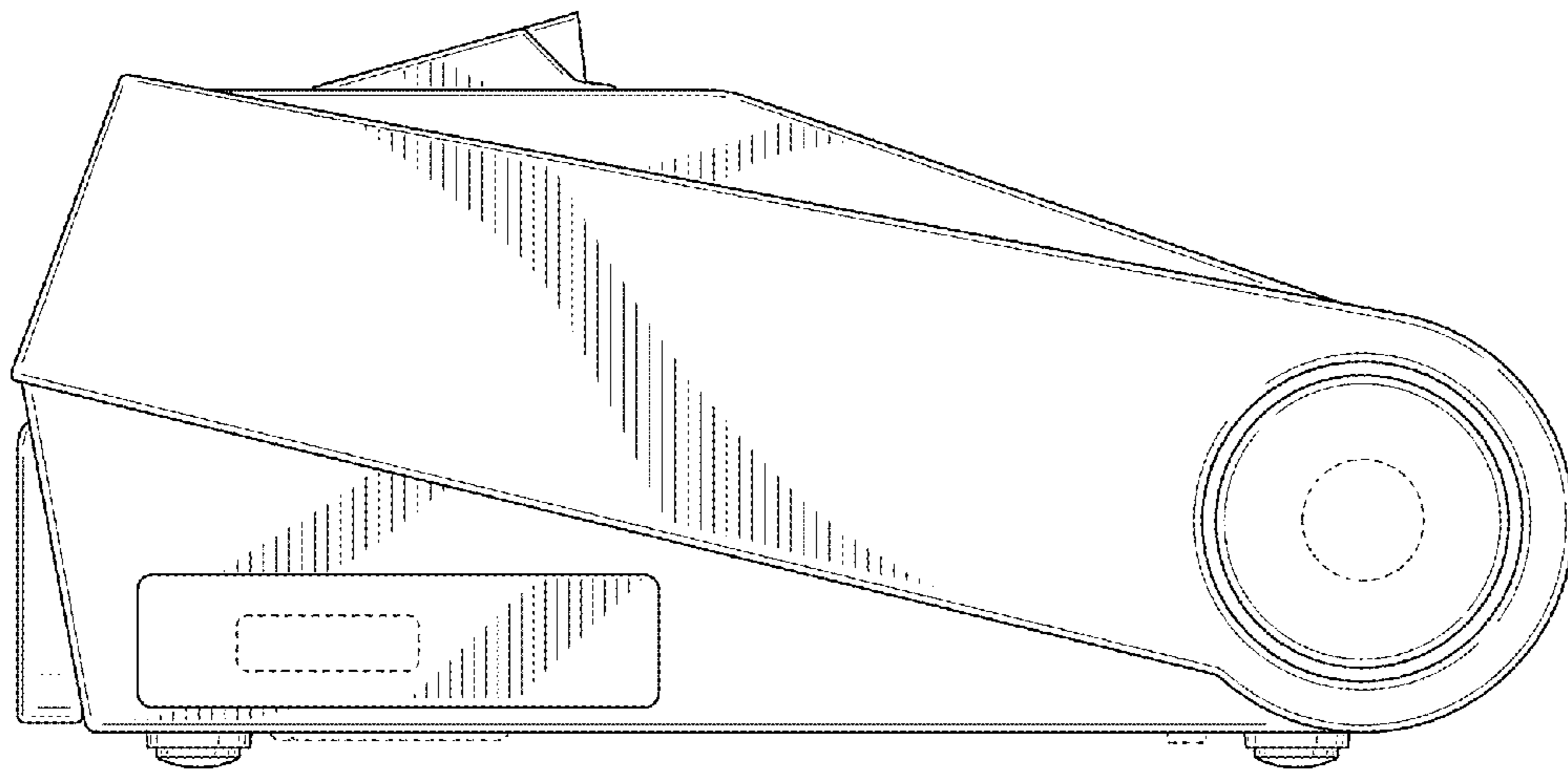


FIG. 6



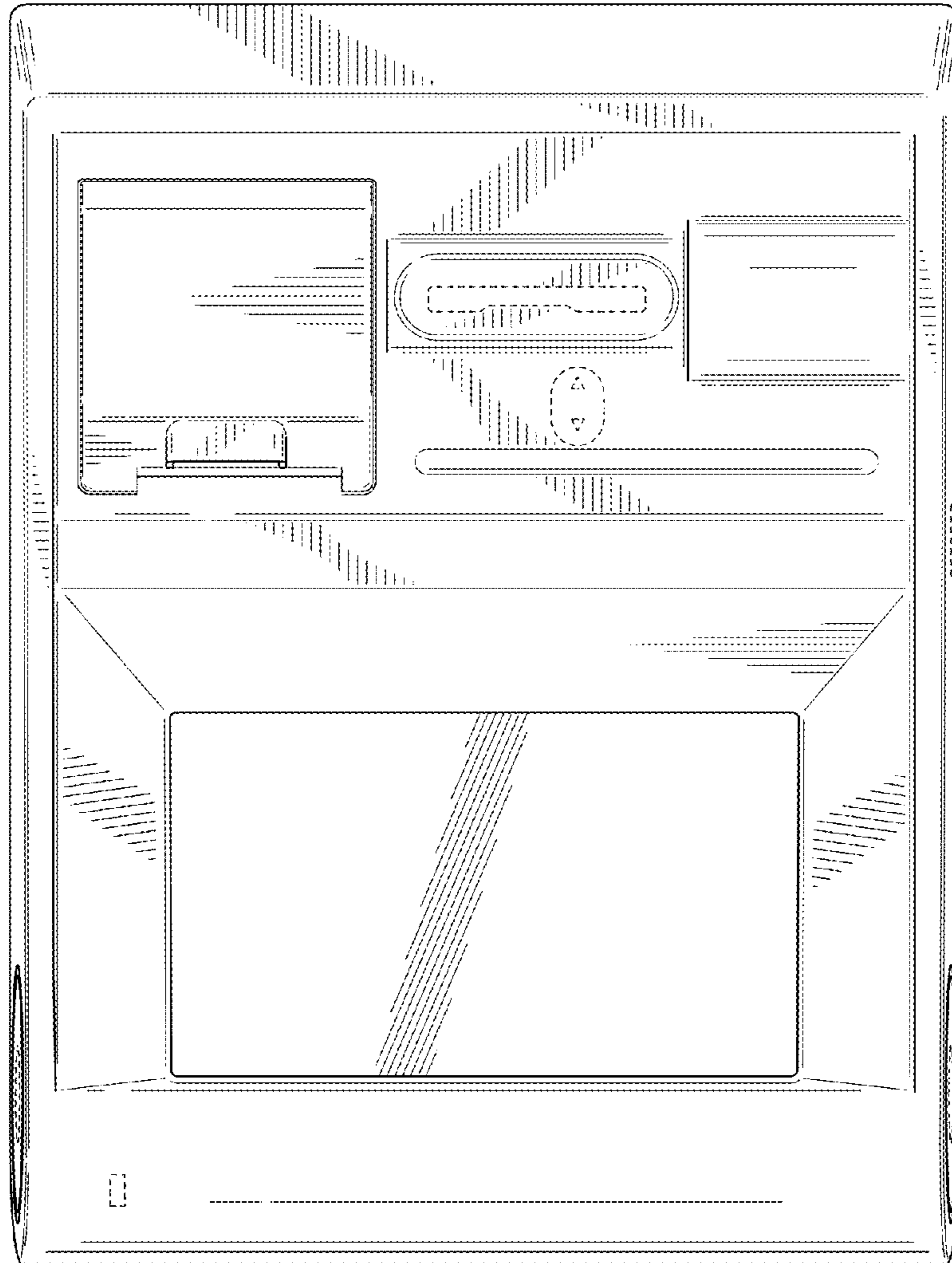


FIG. 7

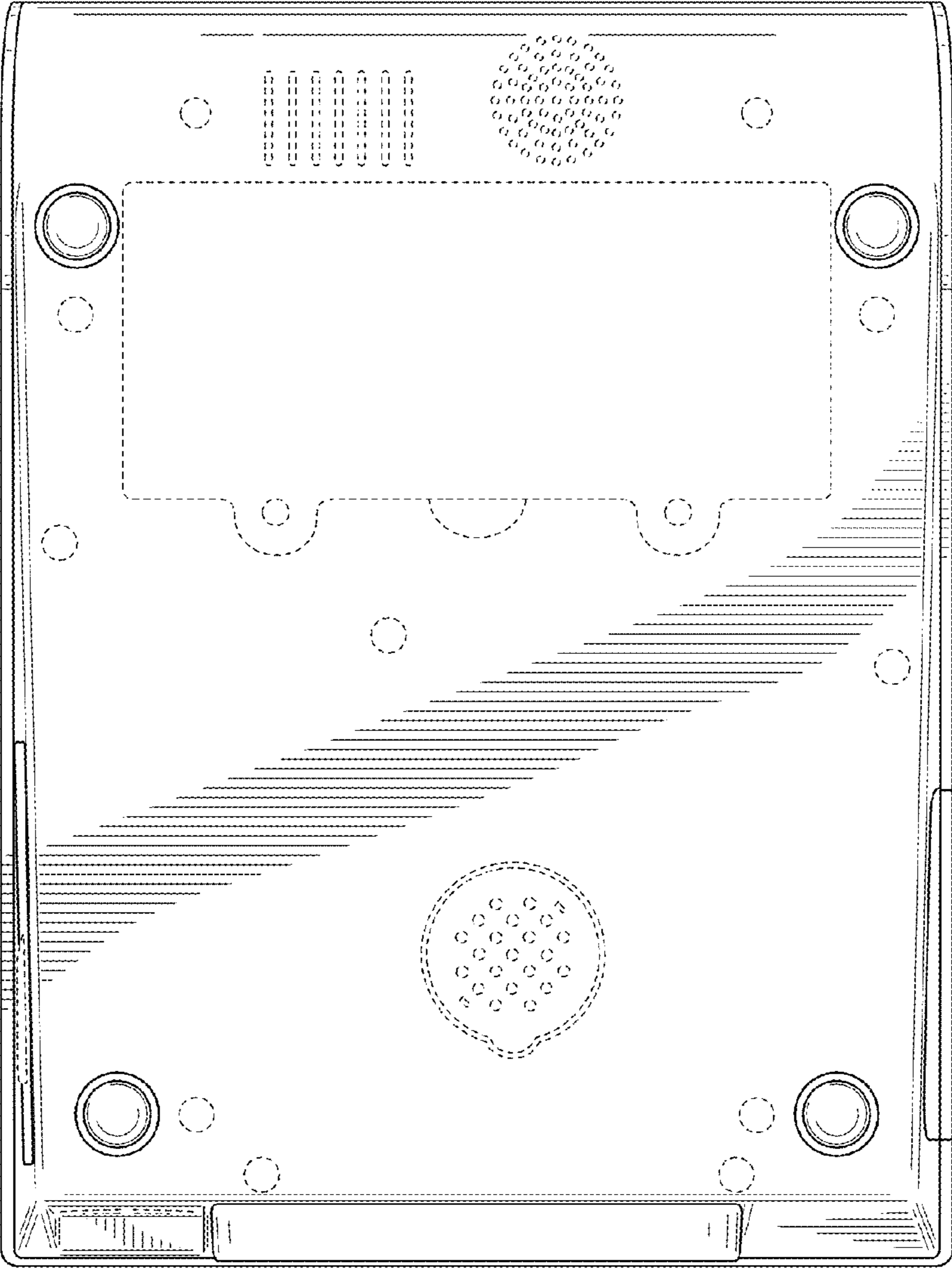


FIG. 8