



US00D717444S

(12) **United States Design Patent**
Pastrick et al.

(10) **Patent No.:** **US D717,444 S**

(45) **Date of Patent:** **** Nov. 11, 2014**

(54) **AUTOMATIC EXTERNAL DEFIBRILLATOR TRAINING DEVICE**

(56) **References Cited**

U.S. PATENT DOCUMENTS

(71) Applicants: **John J. Pastrick**, University Heights, OH (US); **Christopher E. Bryniarski**, South Euclid, OH (US); **Mark E. Cook**, Stow, OH (US); **Timothy E. Lint**, North Royalton, OH (US); **Daniel R. Moon**, Painesville, OH (US)

D372,977 S *	8/1996	Bishay	D24/167
5,662,690 A	9/1997	Cole et al.	
D411,620 S	6/1999	Lindseth et al.	
D414,266 S	9/1999	Pastrick et al.	
D441,450 S	5/2001	Salvatori et al.	
D466,215 S	11/2002	Lindseth et al.	
D471,279 S	3/2003	Locke et al.	
D484,981 S	1/2004	Faller et al.	
D485,360 S	1/2004	Faller et al.	
D490,156 S	5/2004	Fischer et al.	
D499,183 S	11/2004	Vaisnys et al.	
D548,346 S	8/2007	Vaisnys et al.	
D551,766 S	9/2007	Bertagnole et al.	
D625,013 S	10/2010	Kawamura et al.	
D679,017 S *	3/2013	London	D24/167
2009/0254136 A1	10/2009	Powers	

(72) Inventors: **John J. Pastrick**, University Heights, OH (US); **Christopher E. Bryniarski**, South Euclid, OH (US); **Mark E. Cook**, Stow, OH (US); **Timothy E. Lint**, North Royalton, OH (US); **Daniel R. Moon**, Painesville, OH (US)

(73) Assignee: **Preston Products LLC**, Mayfield Village, OH (US)

* cited by examiner

Primary Examiner — Anhdao Doan

(**) Term: **14 Years**

(57) **CLAIM**

The ornamental design for an automatic external defibrillator training device, as shown and described.

(21) Appl. No.: **29/464,405**

DESCRIPTION

(22) Filed: **Aug. 15, 2013**

FIG. 1 is a perspective top view of an automatic defibrillator training device showing the design; FIG. 2 is a perspective bottom view of the automatic defibrillator training device of FIG. 1; FIG. 3 is a side view of the automatic defibrillator training device; FIG. 4 is a front end view of the automatic defibrillator training device; FIG. 5 is a rear end view of the automatic defibrillator training device; FIG. 6 is a top view of the automatic defibrillator training device of FIG. 1; and, FIG. 7 is a bottom view of the automatic defibrillator training device of FIG. 1. The broken lines are provided solely for illustrative purposes and form no part of the claimed design.

Related U.S. Application Data

(62) Division of application No. 29/425,381, filed on Jun. 22, 2012, now Pat. No. Des. 690,818.

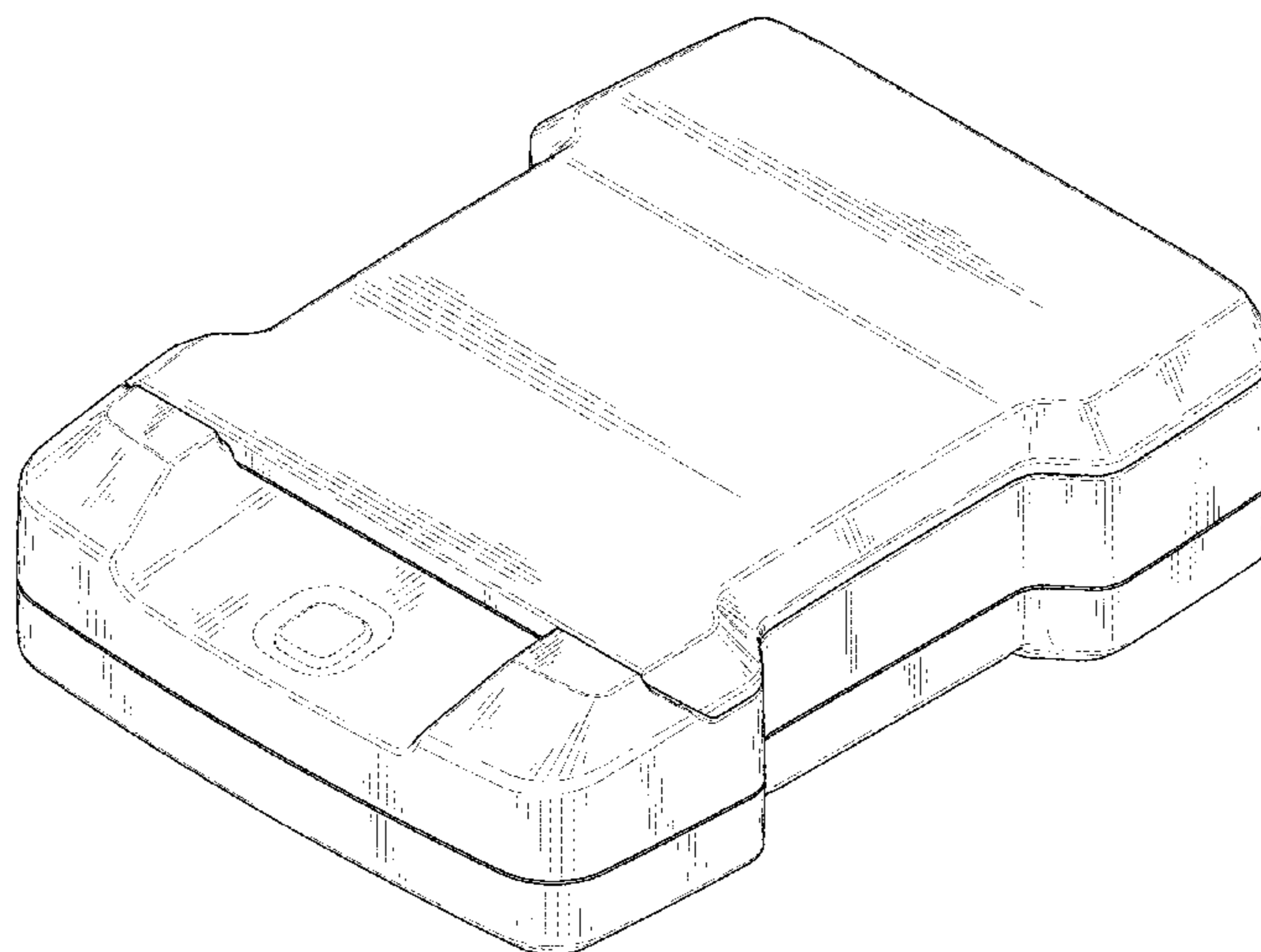
(51) **LOC (10) Cl.** **24-01**

(52) **U.S. Cl.**
USPC **D24/167**

(58) **Field of Classification Search**
USPC D24/165-168, 186, 187; 607/5-8, 10, 607/36, 37

See application file for complete search history.

1 Claim, 5 Drawing Sheets



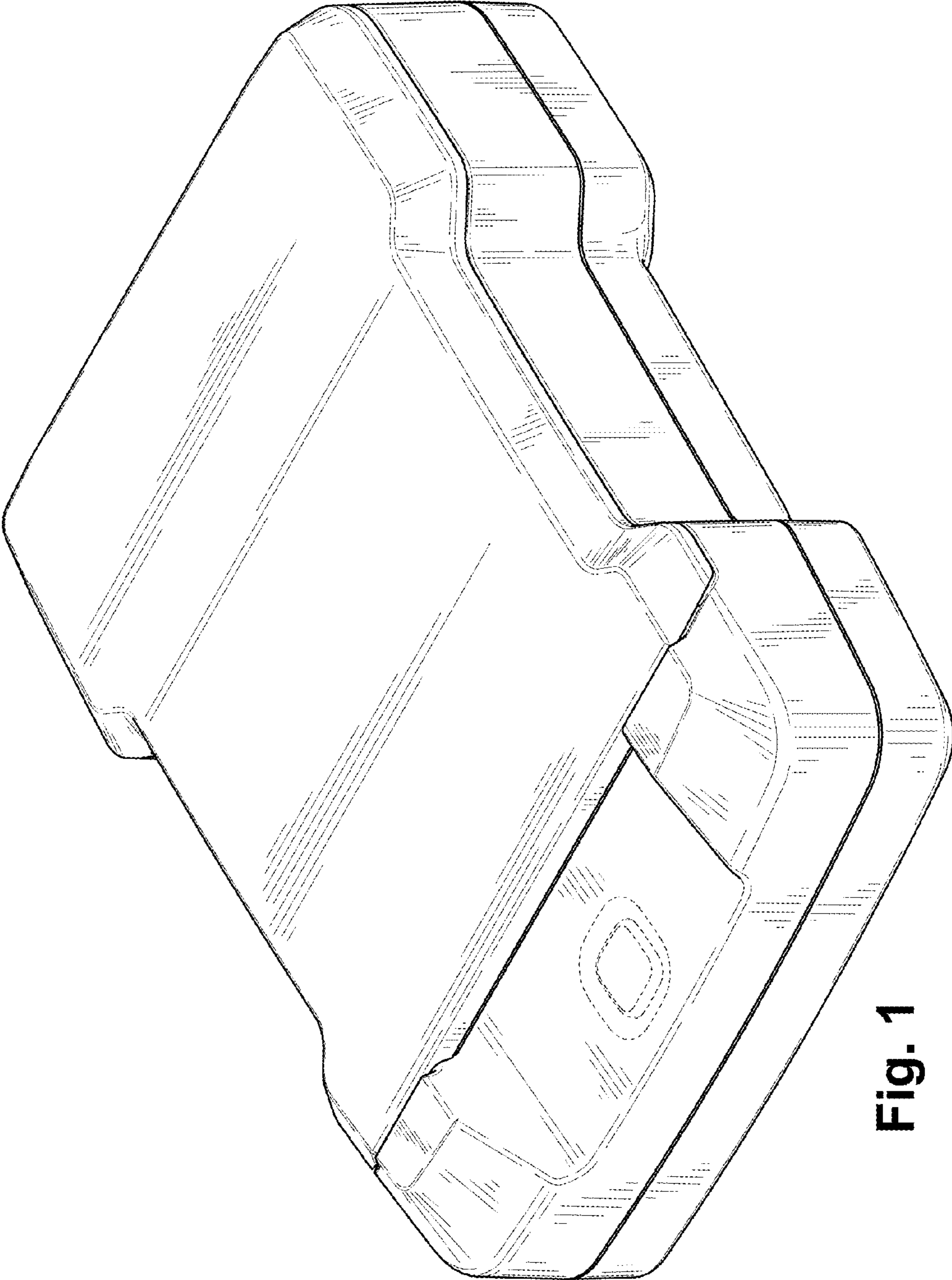


Fig. 1

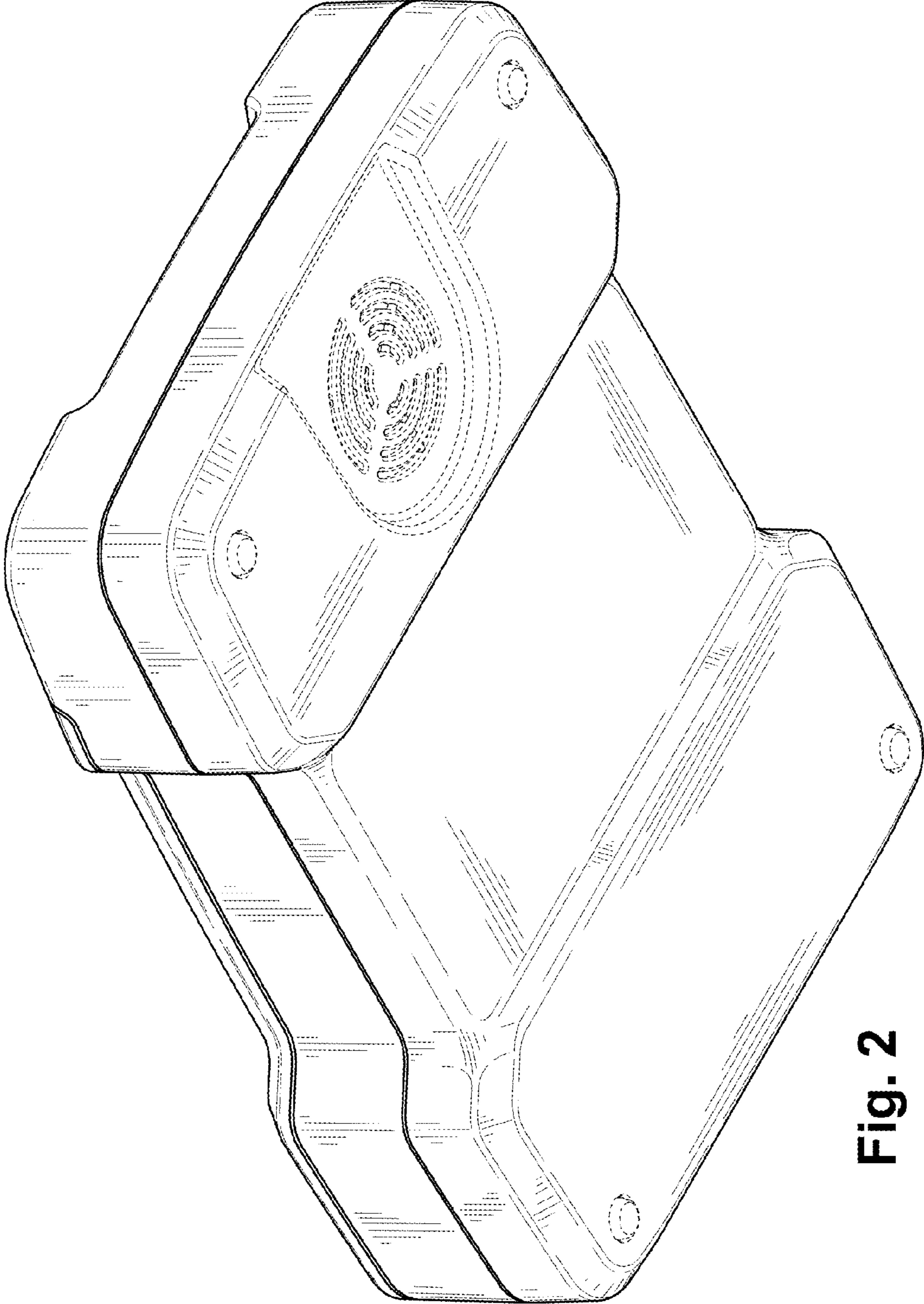


Fig. 2

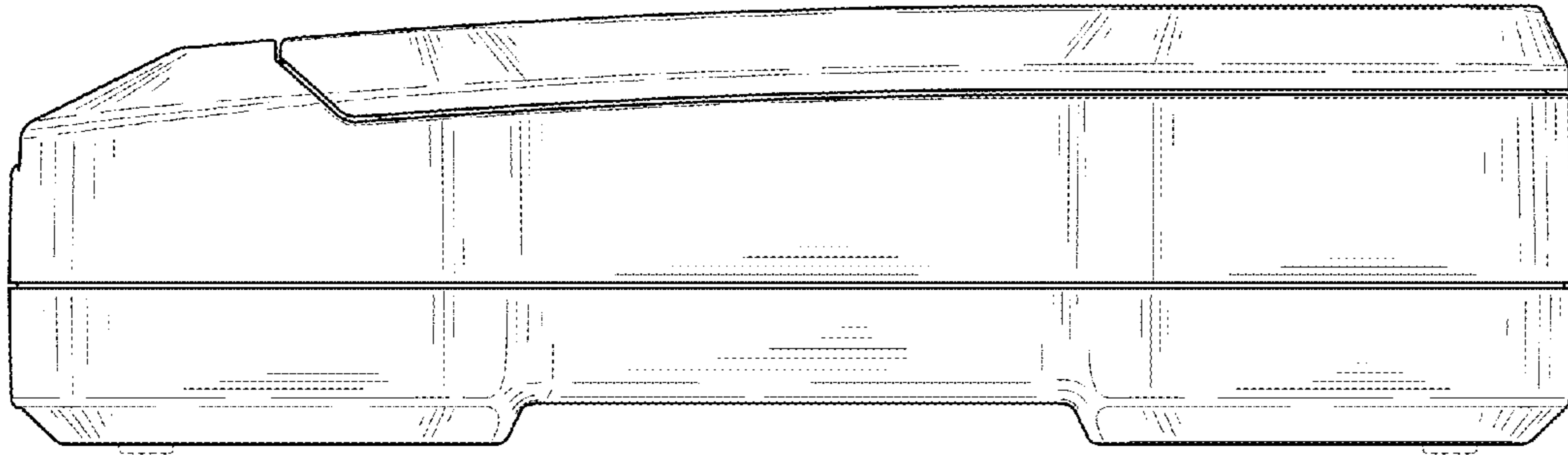


Fig. 3

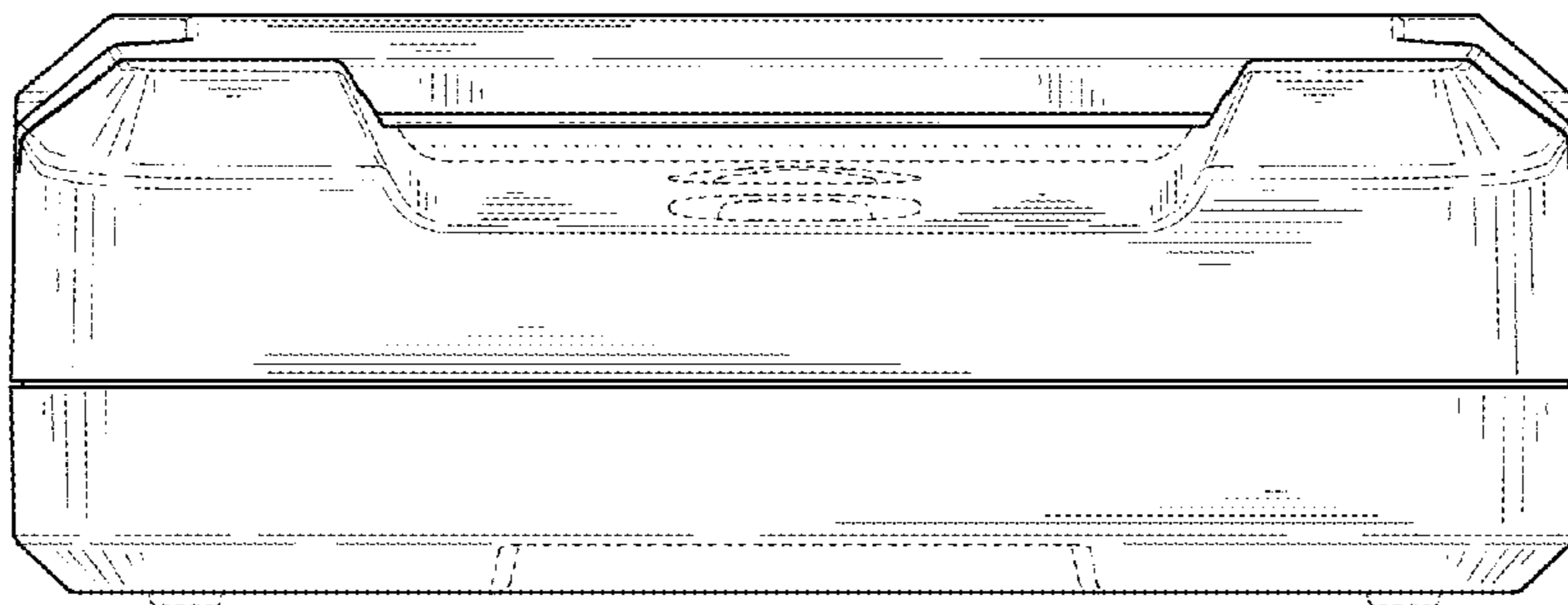


Fig. 4

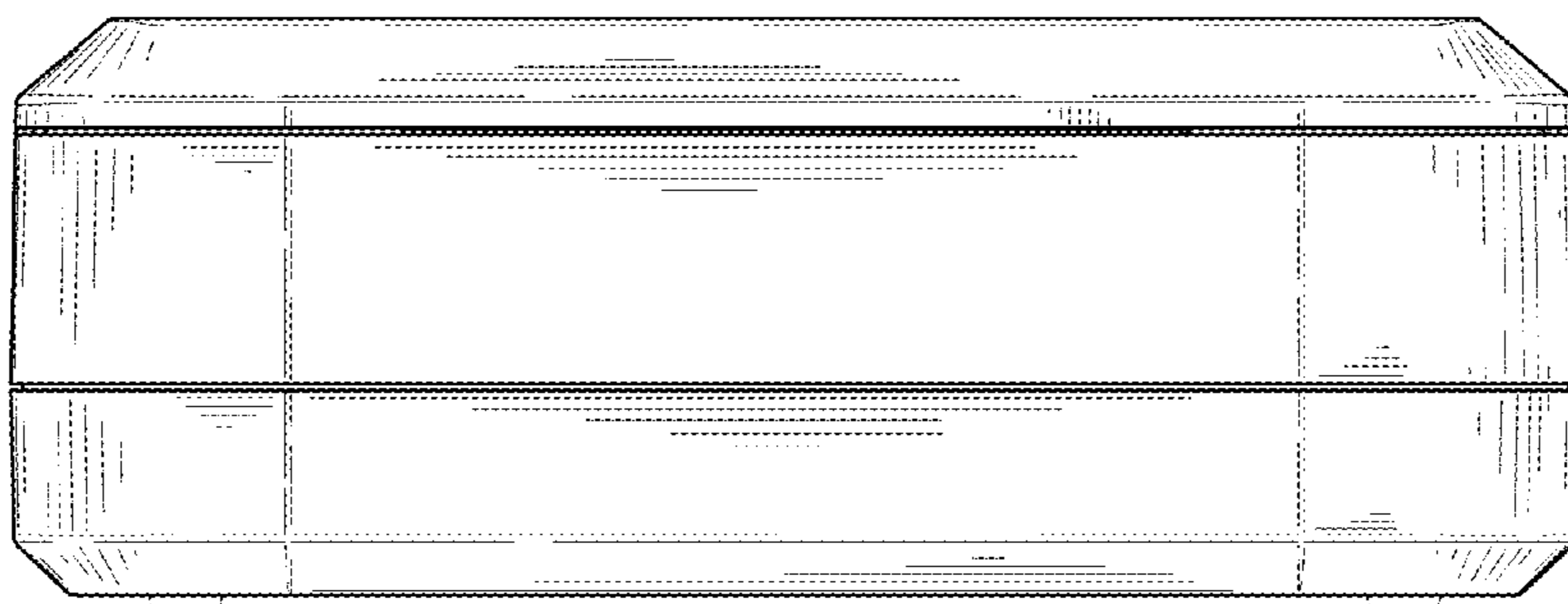


Fig. 5

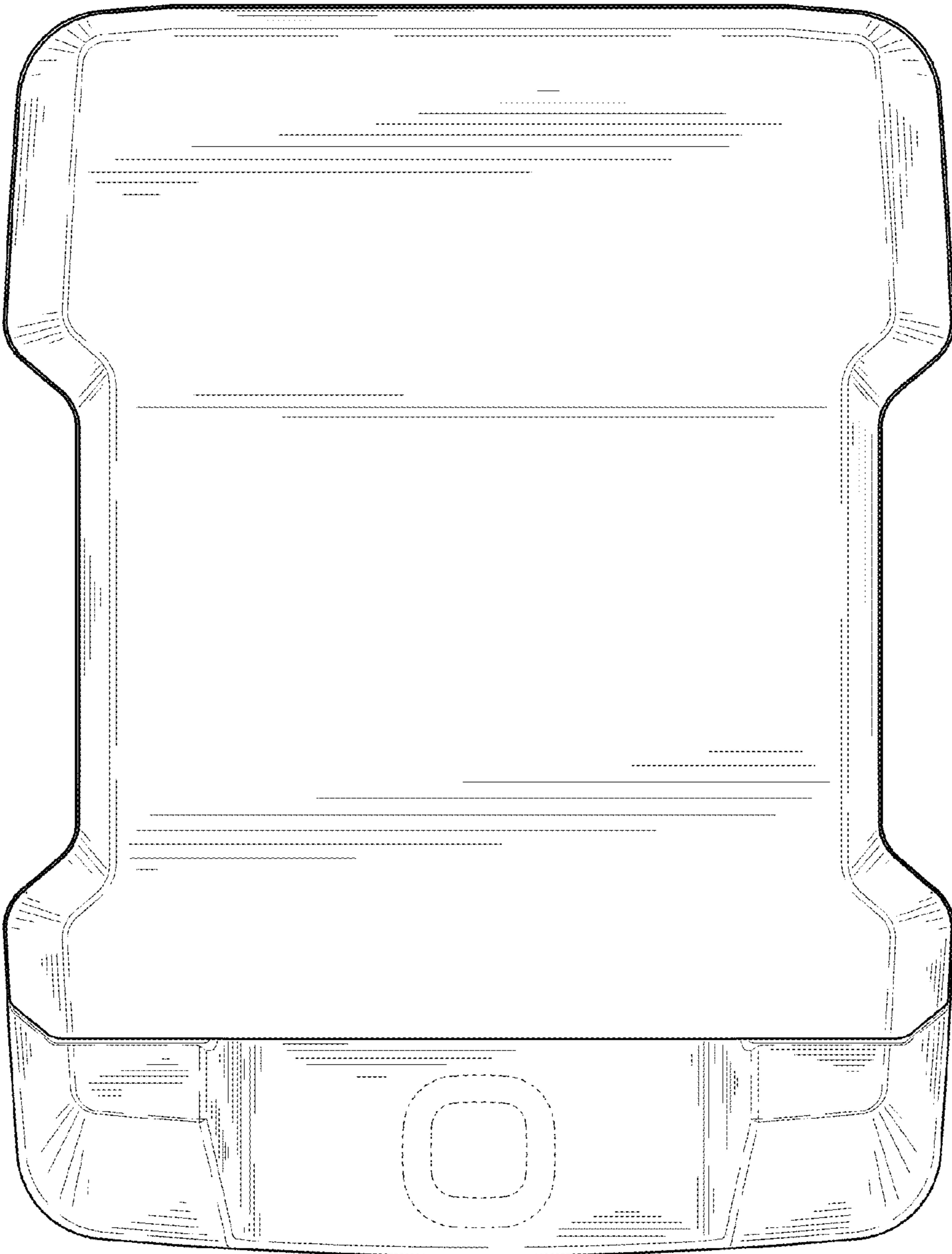


Fig. 6

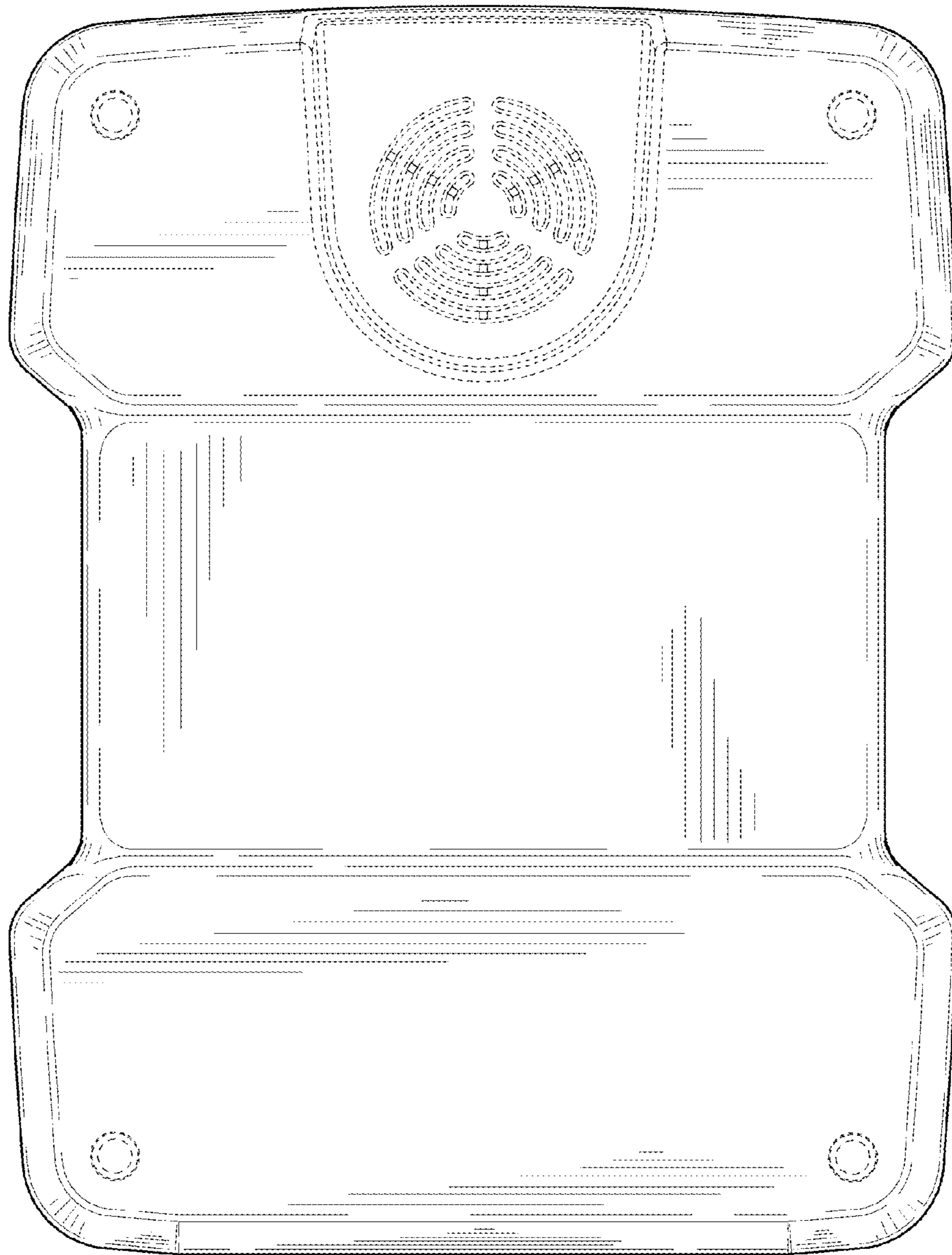


Fig. 7

UNITED STATES PATENT AND TRADEMARK OFFICE
CERTIFICATE OF CORRECTION

PATENT NO. : D717,444 S
APPLICATION NO. : 29/464405
DATED : November 11, 2014
INVENTOR(S) : Pastrick et al.

Page 1 of 1

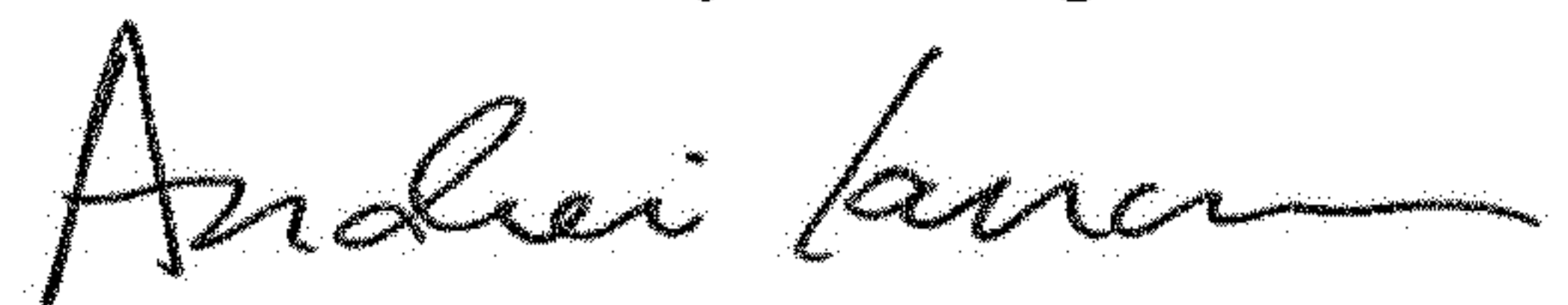
It is certified that error appears in the above-identified patent and that said Letters Patent is hereby corrected as shown below:

On the Title Page

At Item (72), Inventors:

At line six after (US) add the names “Jessica Birchfield, Cleveland, OH (US)” and “Michael Tracz, Brecksville, OH (US)”

Signed and Sealed this
Thirteenth Day of August, 2019



Andrei Iancu
Director of the United States Patent and Trademark Office