



US00D717439S

(12) **United States Design Patent**
Noguchi et al.

(10) **Patent No.:** **US D717,439 S**

(45) **Date of Patent:** **** Nov. 11, 2014**

(54) **SPHYGMOMANOMETER**

600/301, 481–483, 485, 490, 493–495,
600/500, 503, 509; 128/900

(71) Applicants: **So Noguchi**, Hirakata (JP); **Shuji Tsuruta**, Ibaraki (JP); **Yoshikazu Inami**, Akashi (JP); **Daisuki Nozaki**, Kyoto (JP); **Takeyasu Hashimoto**, Kusatsu (JP); **Shinjiro Komizo**, Kyoto (JP)

See application file for complete search history.

(72) Inventors: **So Noguchi**, Hirakata (JP); **Shuji Tsuruta**, Ibaraki (JP); **Yoshikazu Inami**, Akashi (JP); **Daisuki Nozaki**, Kyoto (JP); **Takeyasu Hashimoto**, Kusatsu (JP); **Shinjiro Komizo**, Kyoto (JP)

(56) **References Cited**

U.S. PATENT DOCUMENTS

D475,137 S	5/2003	Manke et al.	
D537,944 S	3/2007	Eda et al.	
D541,941 S	5/2007	Nakanishi et al.	
D569,978 S	5/2008	Eda et al.	
D577,440 S	9/2008	Ferber et al.	
D583,474 S	12/2008	Mitsunami et al.	
D598,551 S *	8/2009	Miwa et al.	D24/186
D609,343 S *	2/2010	Omaki	D24/165
D641,881 S	7/2011	Inami et al.	
D651,319 S	12/2011	Hara	

(73) Assignee: **Omron Healthcare Co., Ltd.**, Kyoto (JP)

(**) Term: **14 Years**

FOREIGN PATENT DOCUMENTS

(21) Appl. No.: **29/447,376**

CN	3547736 S	7/2006
CN	3652658 S	5/2007
EM	000404637-0001 A1	11/2005
EM	000743638-0006 A1	7/2007
EM	000894191-0002 A1	4/2008

(22) Filed: **Mar. 2, 2013**

Related U.S. Application Data

(62) Division of application No. 29/397,998, filed on Jul. 25, 2011, now Pat. No. Des. 683,027.

Primary Examiner — Anhdao Doan

(74) *Attorney, Agent, or Firm* — Capitol City TechLaw

(30) **Foreign Application Priority Data**

Jan. 26, 2011	(JP)	2011-001568
Jan. 26, 2011	(JP)	2011-001569
Jan. 26, 2011	(JP)	2011-001570
Mar. 15, 2011	(JP)	2011-005938
Mar. 22, 2011	(JP)	2011-006419
Mar. 22, 2011	(JP)	2011-006420
Mar. 22, 2011	(JP)	2011-006421
Mar. 22, 2011	(JP)	2011-006422

(Continued)

(51) **LOC (10) Cl.** **24-02**

(52) **U.S. Cl.**
USPC **D24/165**

(57) **CLAIM**

The ornamental design for a sphygmomanometer, as shown.

(58) **Field of Classification Search**
USPC D24/165–168, 186, 107; D10/75, 98;

DESCRIPTION

FIG. 1 is a front, top, and right side perspective view of a sphygmomanometer showing our new design;
FIG. 2 is a rear, bottom, and left side perspective view thereof;
FIG. 3 is a front view thereof;
FIG. 4 is a rear view thereof;
FIG. 5 is a top view thereof;
FIG. 6 is a bottom view thereof;
FIG. 7 is a right side view thereof; and,
FIG. 8 is a left side view thereof.

1 Claim, 8 Drawing Sheets



(56)

References Cited

FOREIGN PATENT DOCUMENTS

JP D1239550 S 5/2005
JP D1267443 S 4/2006
JP D1387527 S 5/2010
JP D1387528 S 5/2010
JP D1387631 S 5/2010

JP D1396052 S 8/2010
JP D1403528 S 12/2010
JP D1403529 S 12/2010
JP D1403530 S 12/2010
JP D1403531 S 12/2010
JP D1415684 S 6/2011
JP D1416703 S 6/2011

* cited by examiner

FIG. 1



FIG. 2



FIG. 3

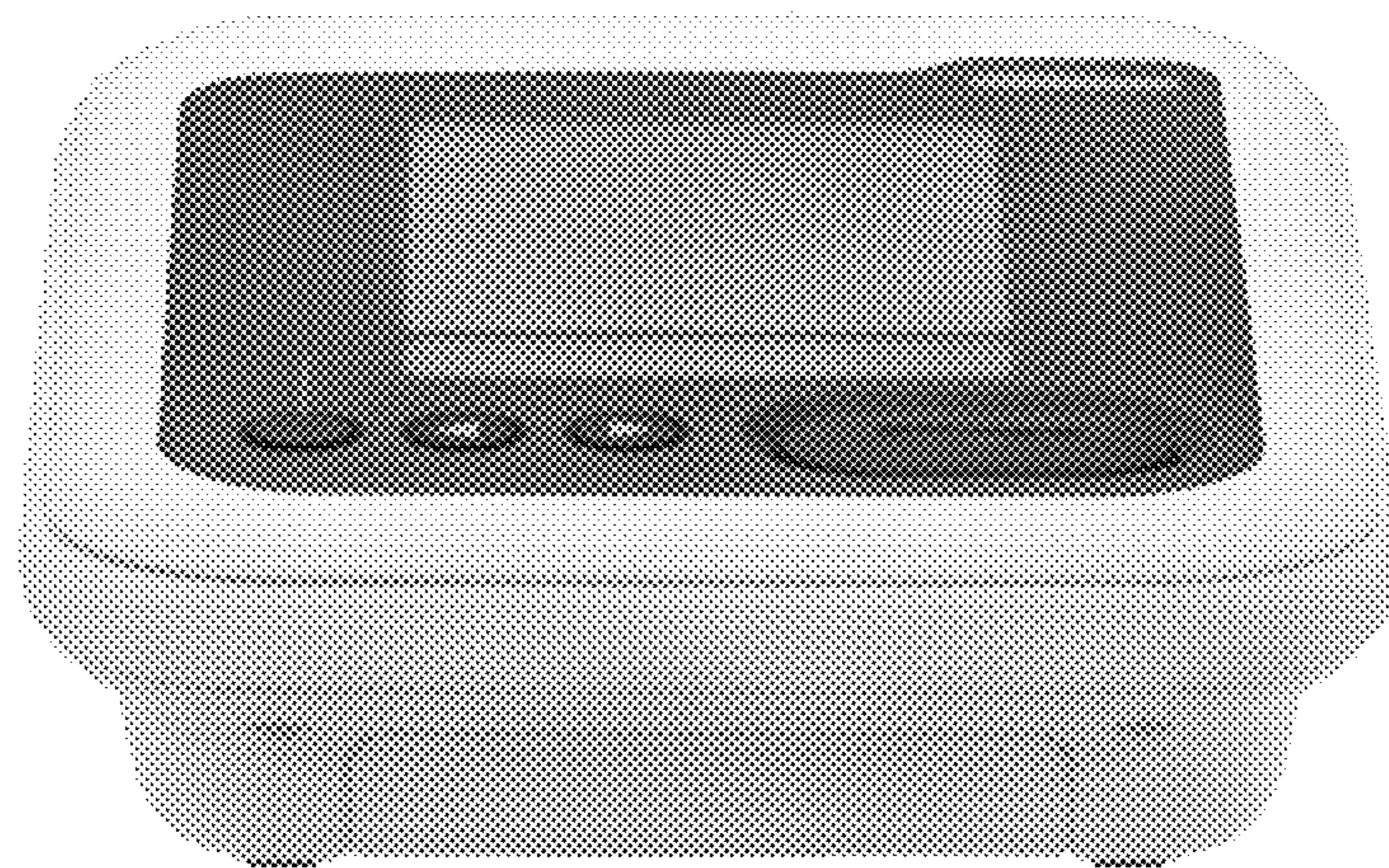


FIG. 4

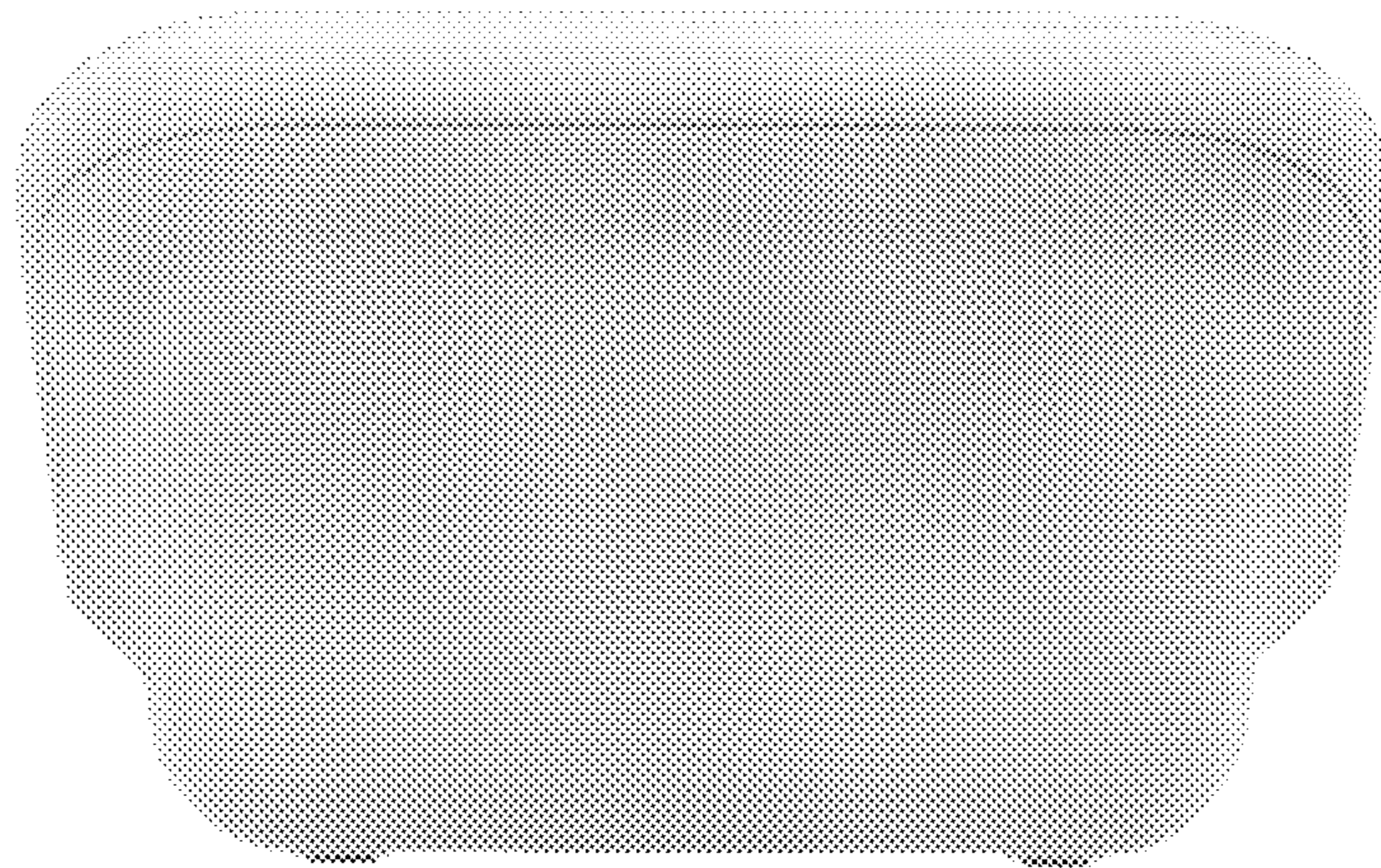


FIG. 5



FIG. 6



FIG. 7

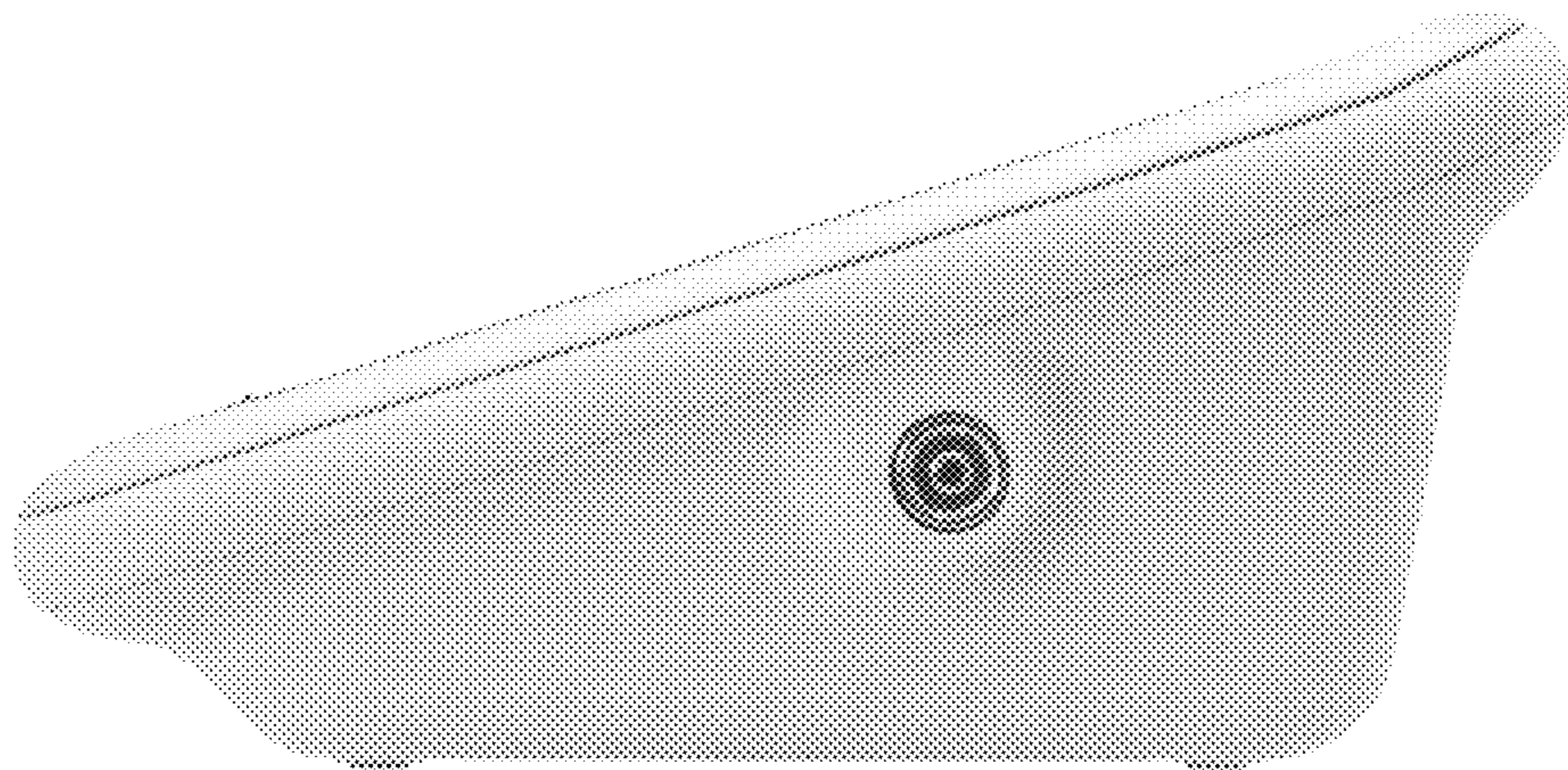


FIG. 8

