



US00D717438S

(12) **United States Design Patent**  
**Lin et al.**

(10) **Patent No.:** **US D717,438 S**

(45) **Date of Patent:** **\*\* Nov. 11, 2014**

(54) **FLUID CARTRIDGE**

(71) Applicant: **EDAN Diagnostics**, San Diego, CA  
(US)

(72) Inventors: **Chao Lin**, San Diego, CA (US); **Paul David Swanson**, Santee, CA (US);  
**Zhixiang Jason Zhao**, Plainsboro, NJ (US)

(73) Assignee: **EDAN Diagnostics**, San Diego, CA  
(US)

(\*\*) Term: **14 Years**

(21) Appl. No.: **29/437,043**

(22) Filed: **Nov. 12, 2012**

(51) **LOC (10) Cl.** ..... **24-00**

(52) **U.S. Cl.**  
USPC ..... **D24/162**

(58) **Field of Classification Search**  
USPC ..... D24/137, 138, 140, 150, 157, 224, 225,  
D24/160, 162, 166, 172, 174, 177, 183, 185,  
D24/186, 199, 216, 277, 230, 231, 232, 234,  
D24/454; 210/808, 232, 239; 206/223;  
435/806; 436/8, 65, 814; 422/543, 538,  
422/537, 500

See application file for complete search history.

(56) **References Cited**

**U.S. PATENT DOCUMENTS**

D288,478 S	2/1987	Carlson et al.	
5,042,691 A *	8/1991	Maldonado	222/144.5
D336,514 S	6/1993	Valerio et al.	
D390,661 S	2/1998	Foggia	
D445,509 S *	7/2001	Berndt et al.	D24/232
D447,569 S	9/2001	Baily et al.	
D489,816 S	5/2004	Ross	
D597,216 S	7/2009	McGuigan et al.	
D634,442 S *	3/2011	Tajima et al.	D24/232

D638,545 S	5/2011	Okawa et al.	
D647,209 S	10/2011	Muller et al.	
D657,067 S *	4/2012	Shibata	D24/216
D675,335 S	1/2013	Feuerabend et al.	
D681,231 S	4/2013	Steinhauer et al.	
D694,422 S	11/2013	Cook et al.	
D705,943 S *	5/2014	Chang et al.	D24/216
8,741,234 B2 *	6/2014	Wang et al.	422/554
8,741,235 B2 *	6/2014	Janisch et al.	422/554
2007/0172388 A1	7/2007	Padmanabhan et al.	
2009/0065368 A1	3/2009	Davis et al.	
2010/0273248 A1	10/2010	Ha et al.	

(Continued)

**OTHER PUBLICATIONS**

U.S. Appl. No. 29/437,042, filed Nov. 12, 2012, Lin et al.

(Continued)

*Primary Examiner* — Ian Simmons

*Assistant Examiner* — Rhea Shields

(74) *Attorney, Agent, or Firm* — Foley & Lardner LLP;  
Gilberto M. Villacorta; Karl F. Reichenberger

(57) **CLAIM**

We claim the ornamental design for a fluid cartridge, as shown and described.

**DESCRIPTION**

FIG. 1 is a top, front, right perspective view of an embodiment of the claimed design;

FIG. 2 is a top, rear, left perspective view thereof;

FIG. 3 is a front elevation view thereof;

FIG. 4 is a rear elevation view thereof;

FIG. 5 is a bottom plan view thereof;

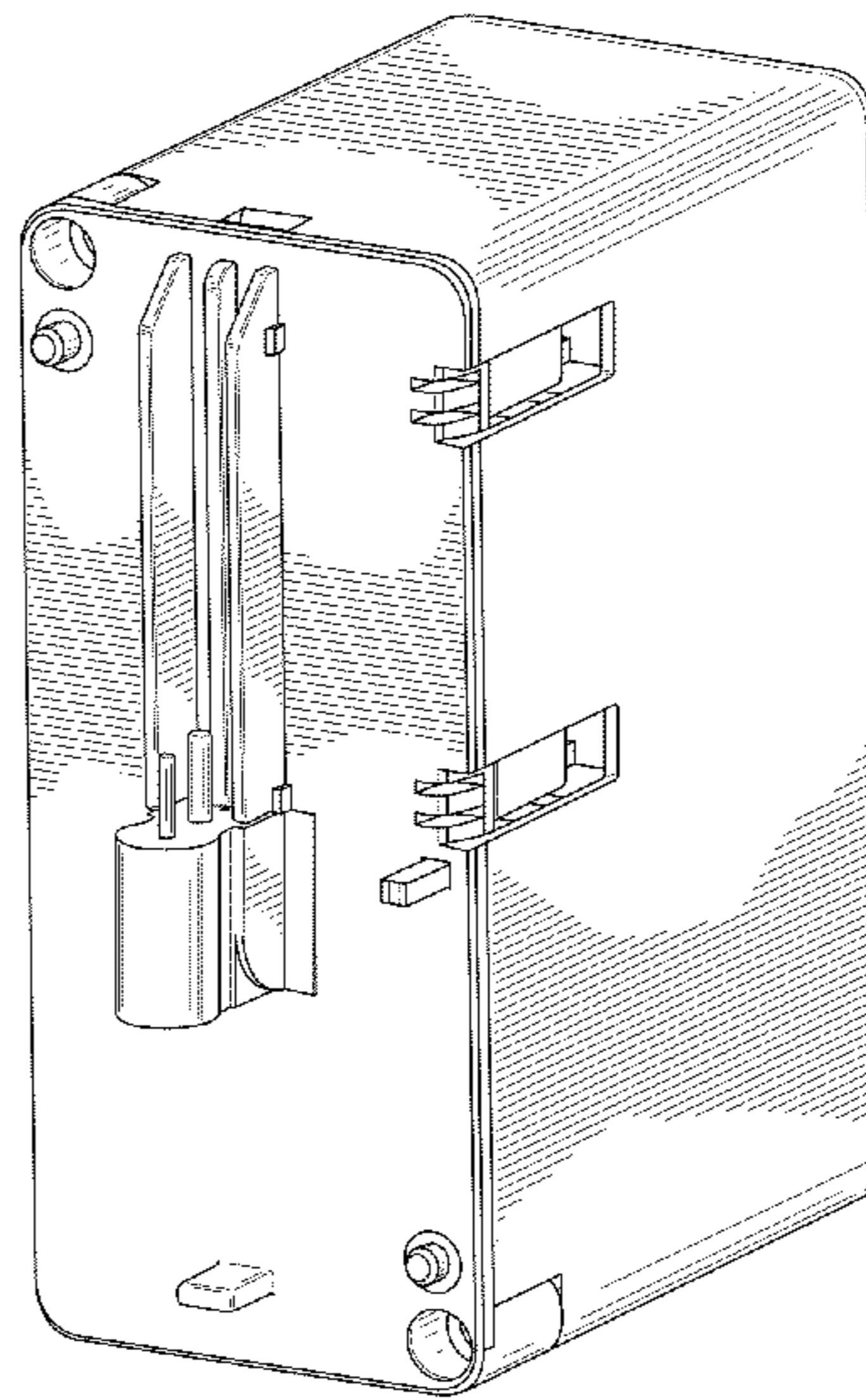
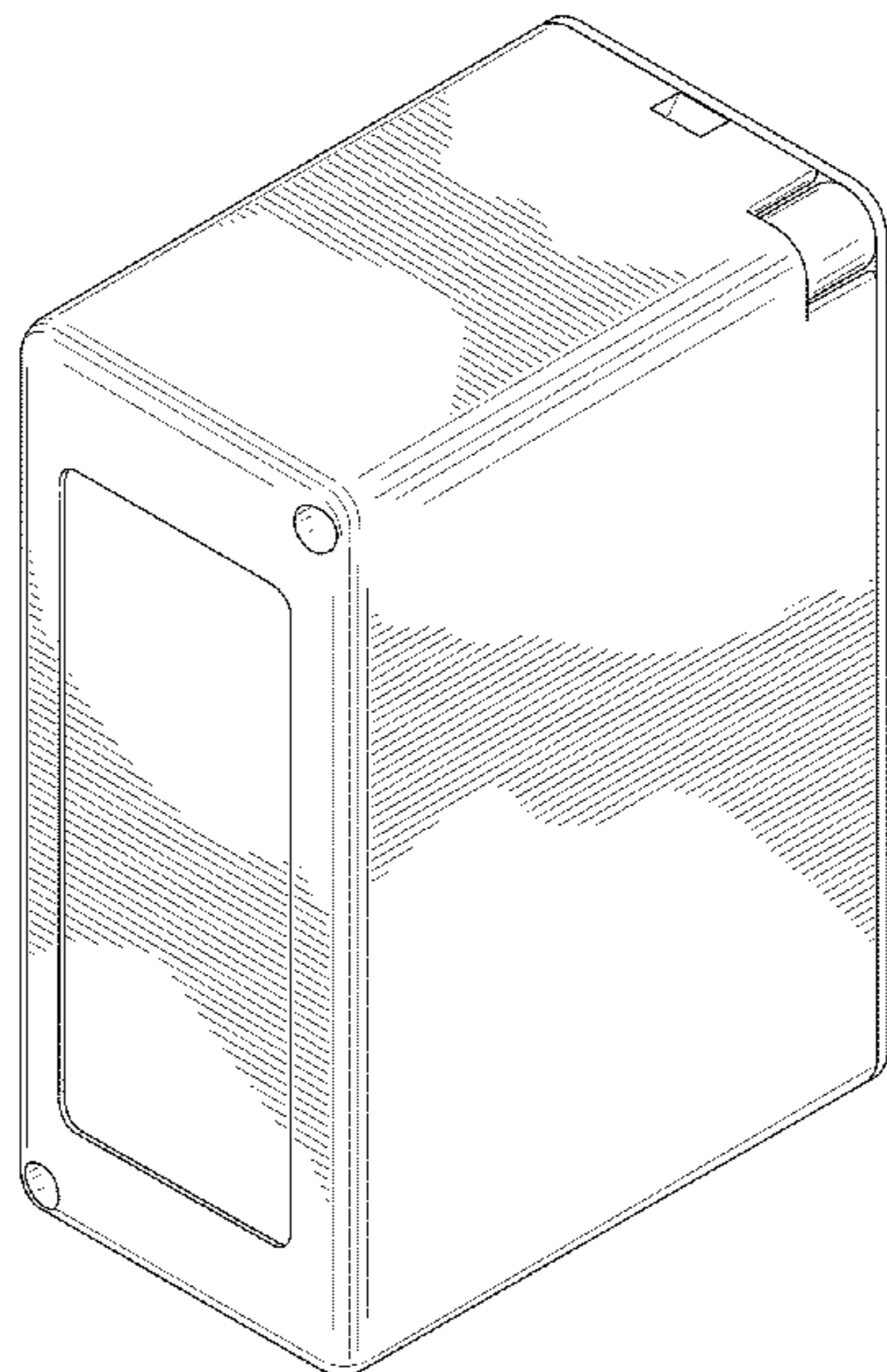
FIG. 6 is a top plan view thereof;

FIG. 7 is a right elevation view thereof; and,

FIG. 8 is a left elevation view thereof.

The ornamental design which is claimed is shown in solid lines in the drawings.

**1 Claim, 8 Drawing Sheets**



(56)

**References Cited**

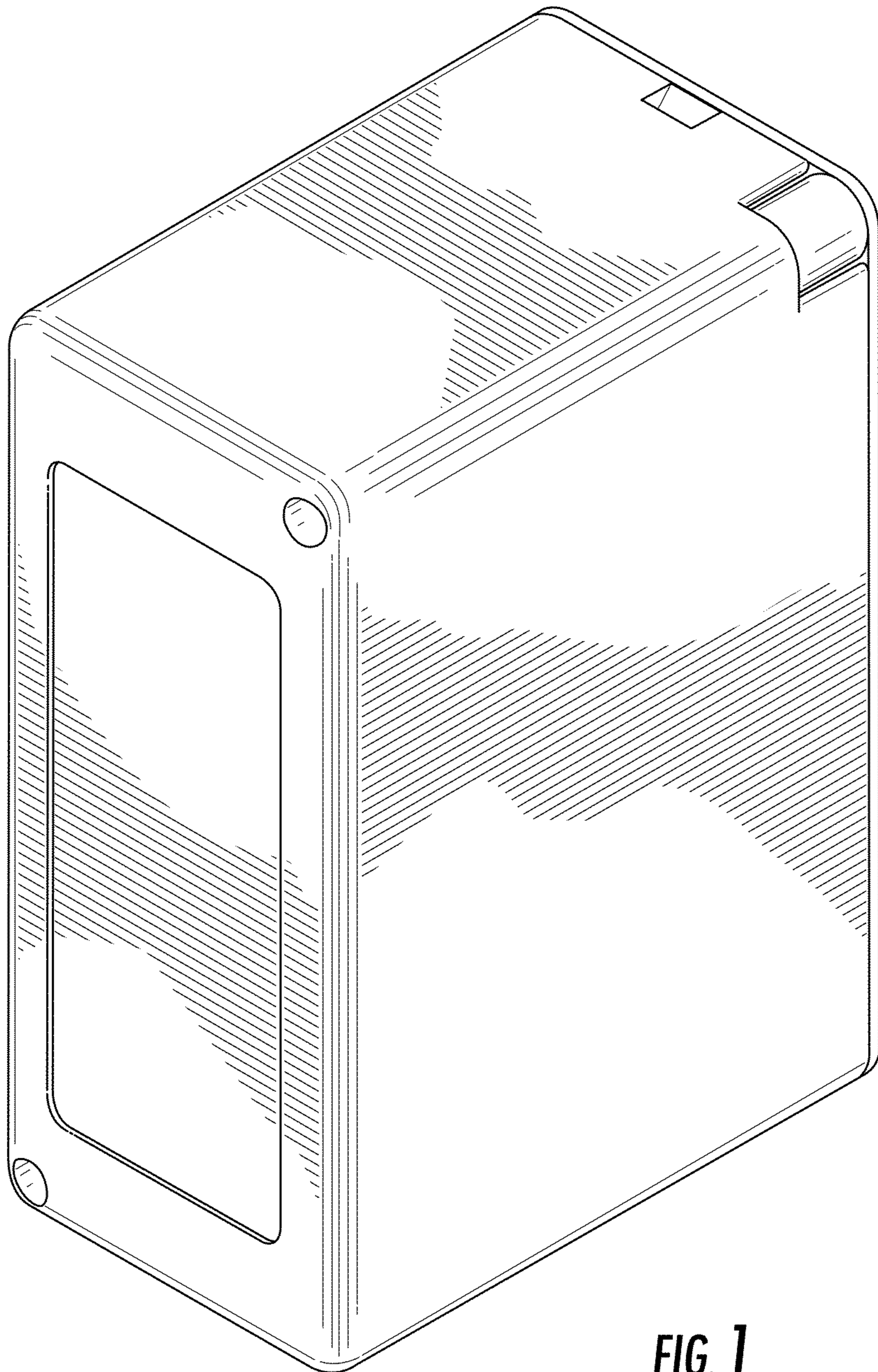
U.S. PATENT DOCUMENTS

2010/0328405	A1 *	12/2010	Ness et al. ....	347/86
2011/0086378	A1	4/2011	Shany et al.	
2011/0198241	A1	8/2011	Murakami	
2011/0229373	A1	9/2011	Asakura	
2011/0287447	A1 *	11/2011	Norderhaug et al. ....	435/7.1
2012/0179101	A1	7/2012	Briones et al.	
2012/0193376	A1 *	8/2012	Evans et al. ....	222/207
2012/0218740	A1	8/2012	Estes et al.	
2013/0140177	A1	6/2013	Lin et al.	
2013/0140179	A1	6/2013	Lin et al.	
2013/0142709	A1 *	6/2013	Lin et al. ....	422/538

OTHER PUBLICATIONS

U.S. Appl. No. 29/437,044, filed Nov. 12, 2012, Lin et al.  
Search Report and Written Opinion for Int'l Appln No. PCT/  
US2012/068299, mailed Apr. 1, 2013.  
US Office Action of 104218-0200 mailed Jun. 5, 2013.  
Office Action issued in related U.S. Appl. No. 29/437,044, dated May  
21, 2014.  
International Preliminary Report on Patentability issued in related  
International Patent Application No. PCT/US2012/068299, dated  
Jun. 10, 2014.

\* cited by examiner



**FIG. 1**

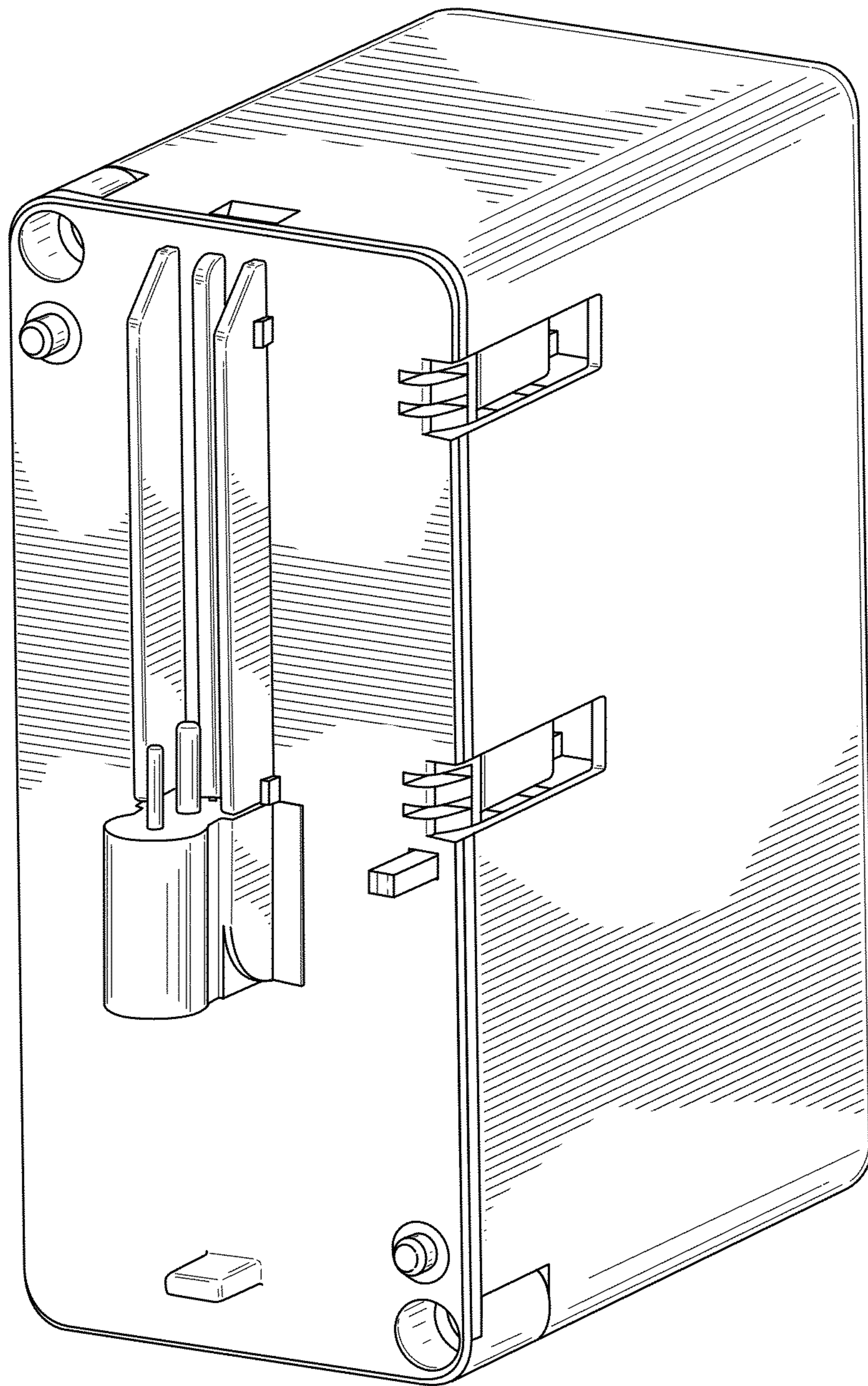
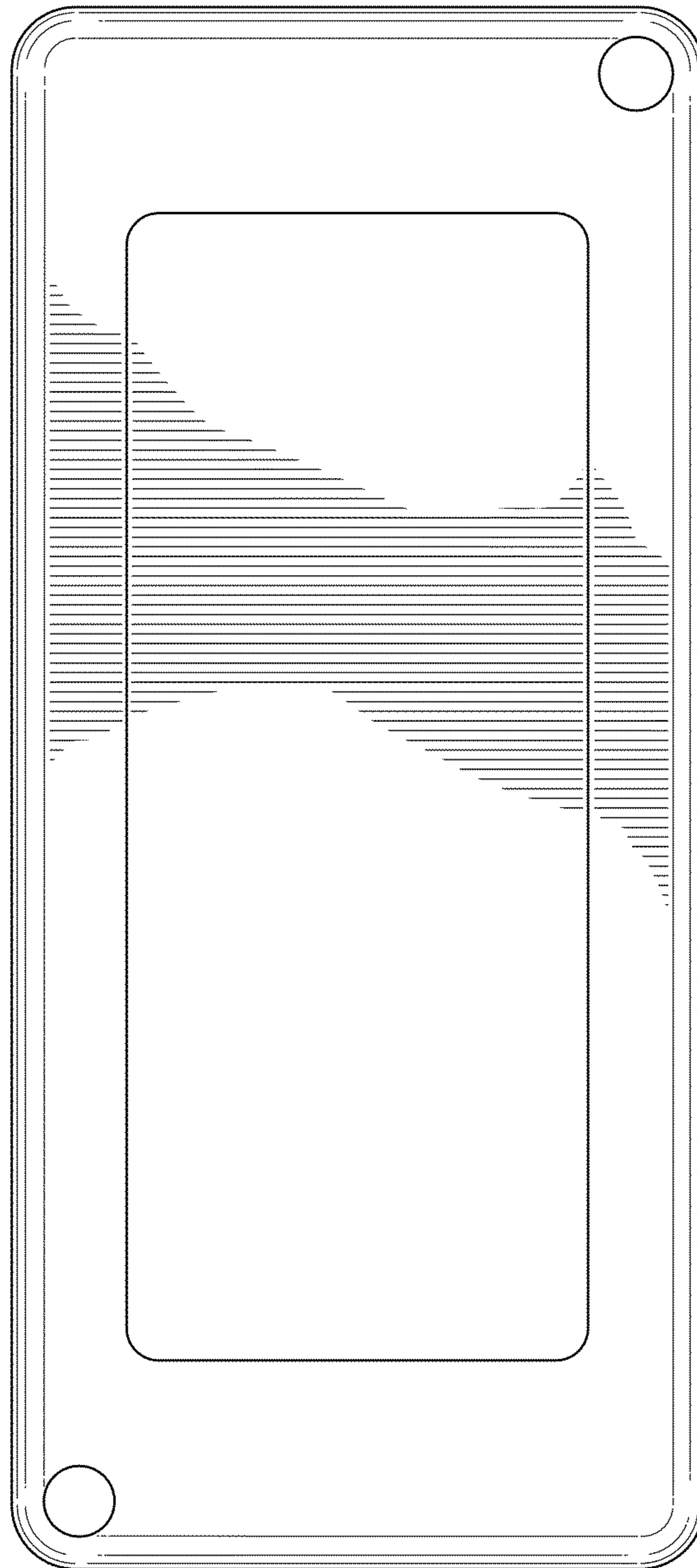


FIG. 2



**FIG. 3**

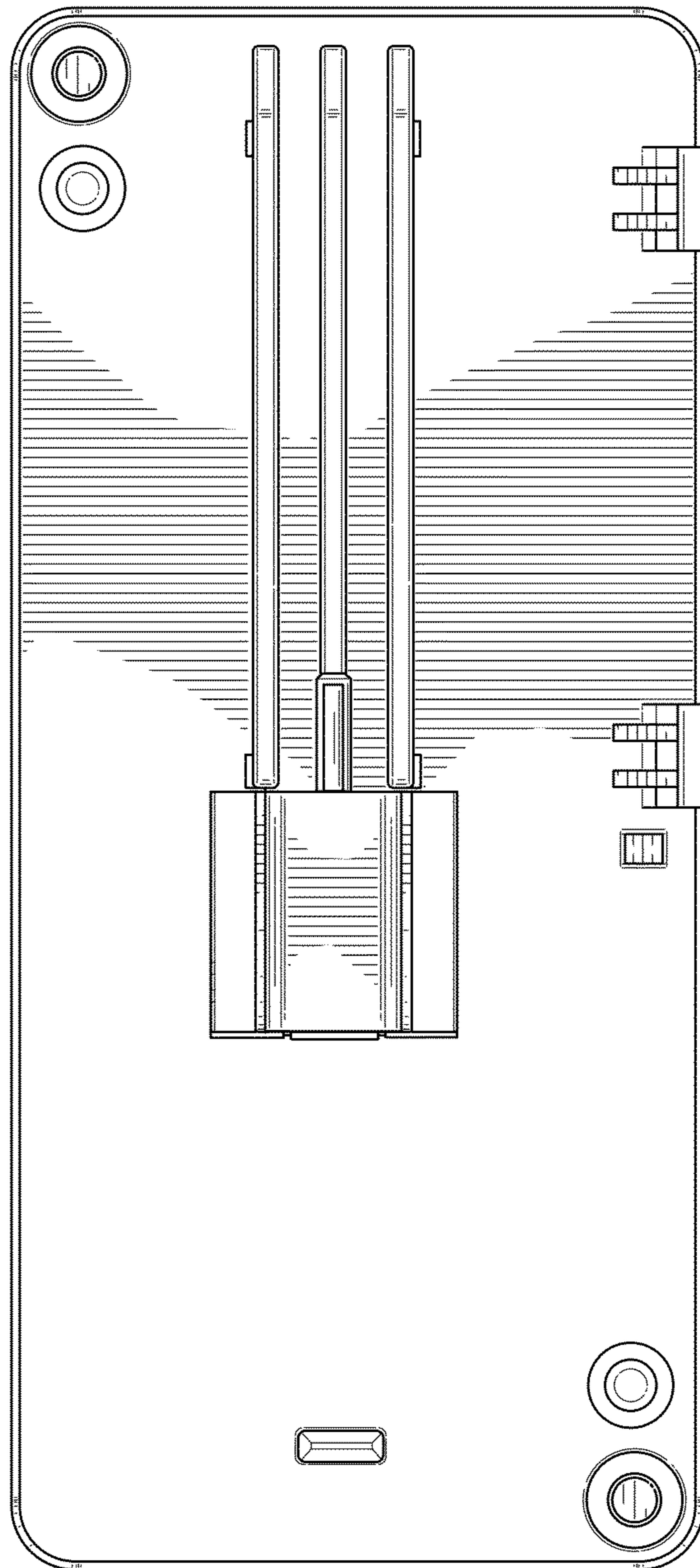


FIG. 4

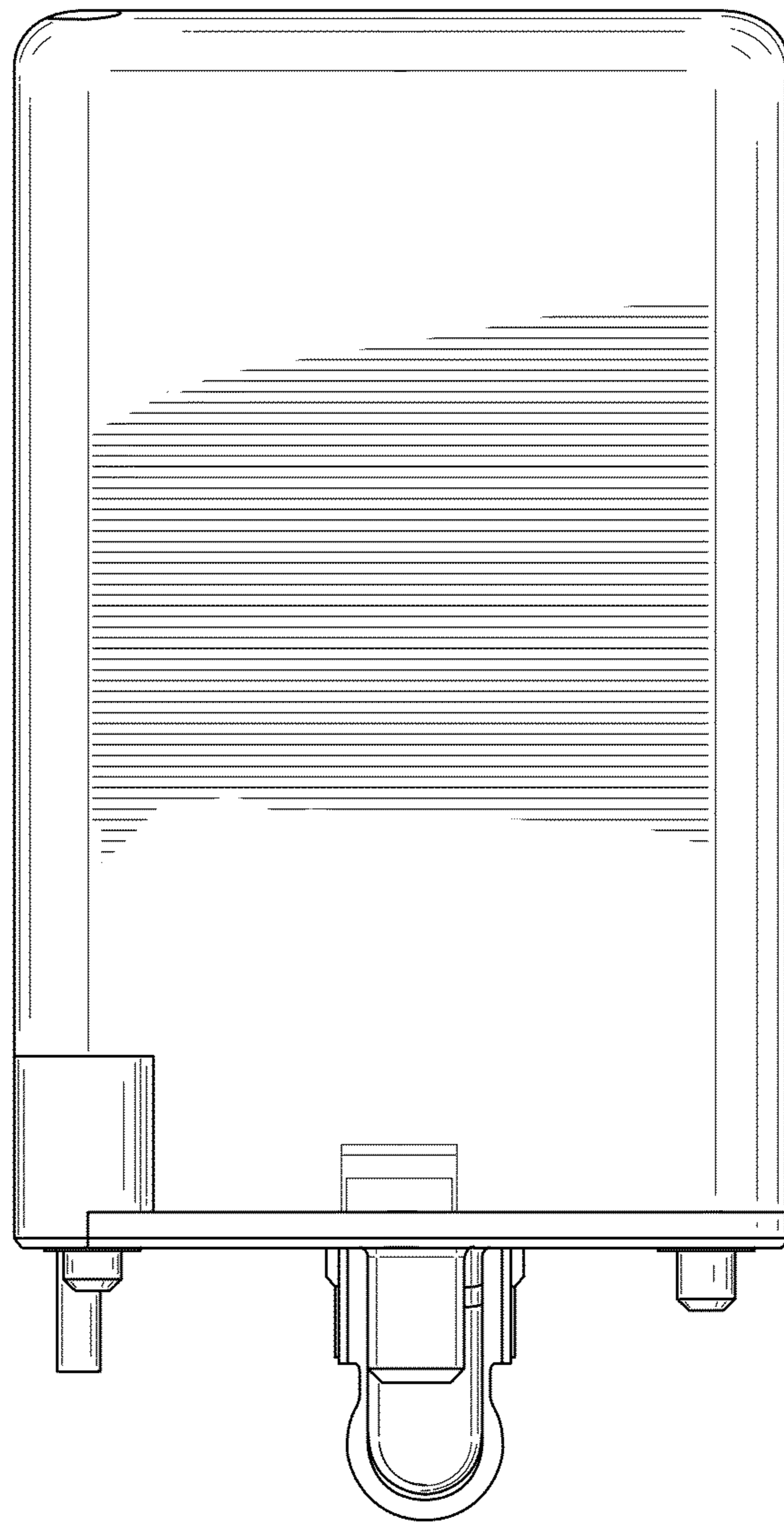


FIG. 5

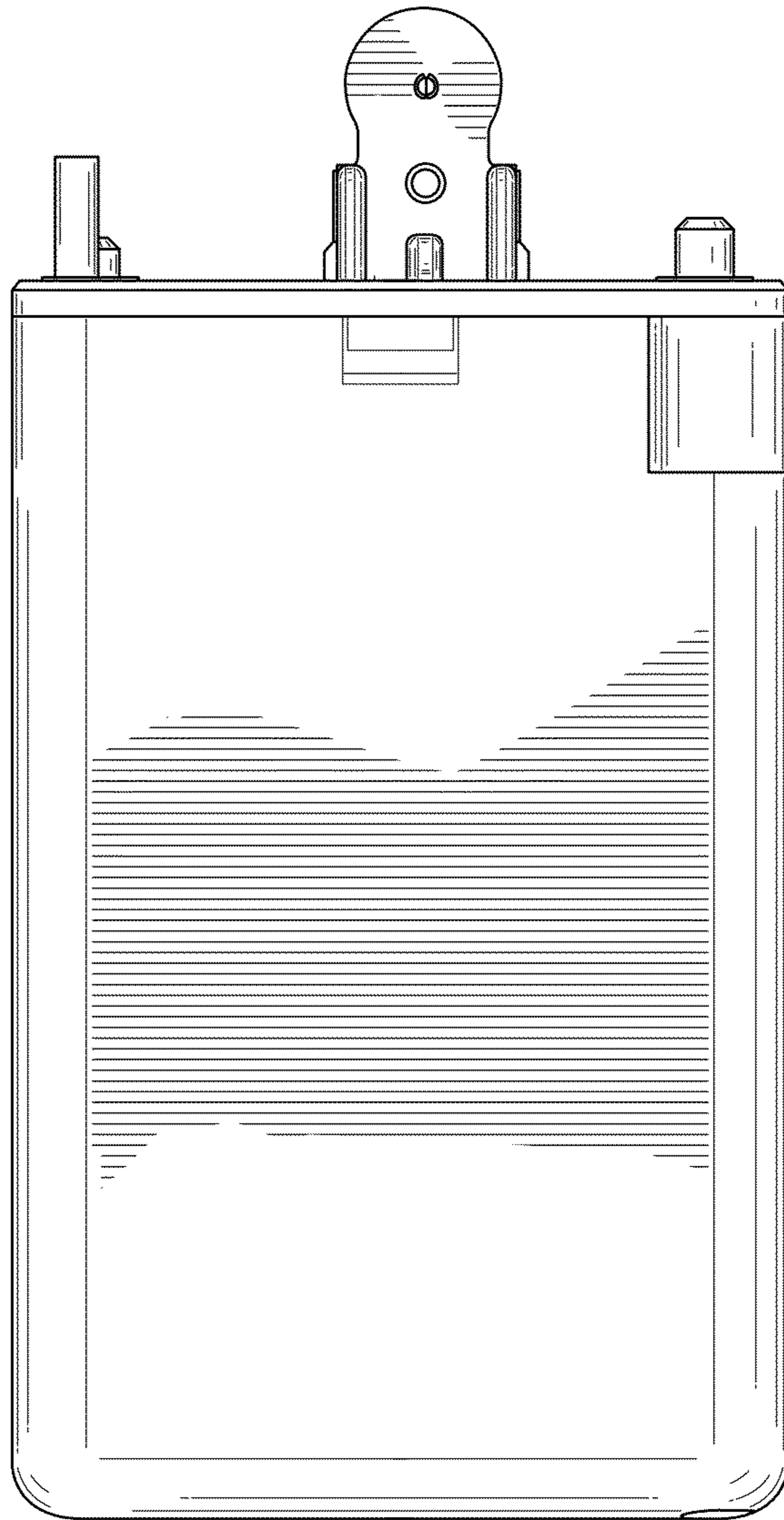


FIG. 6



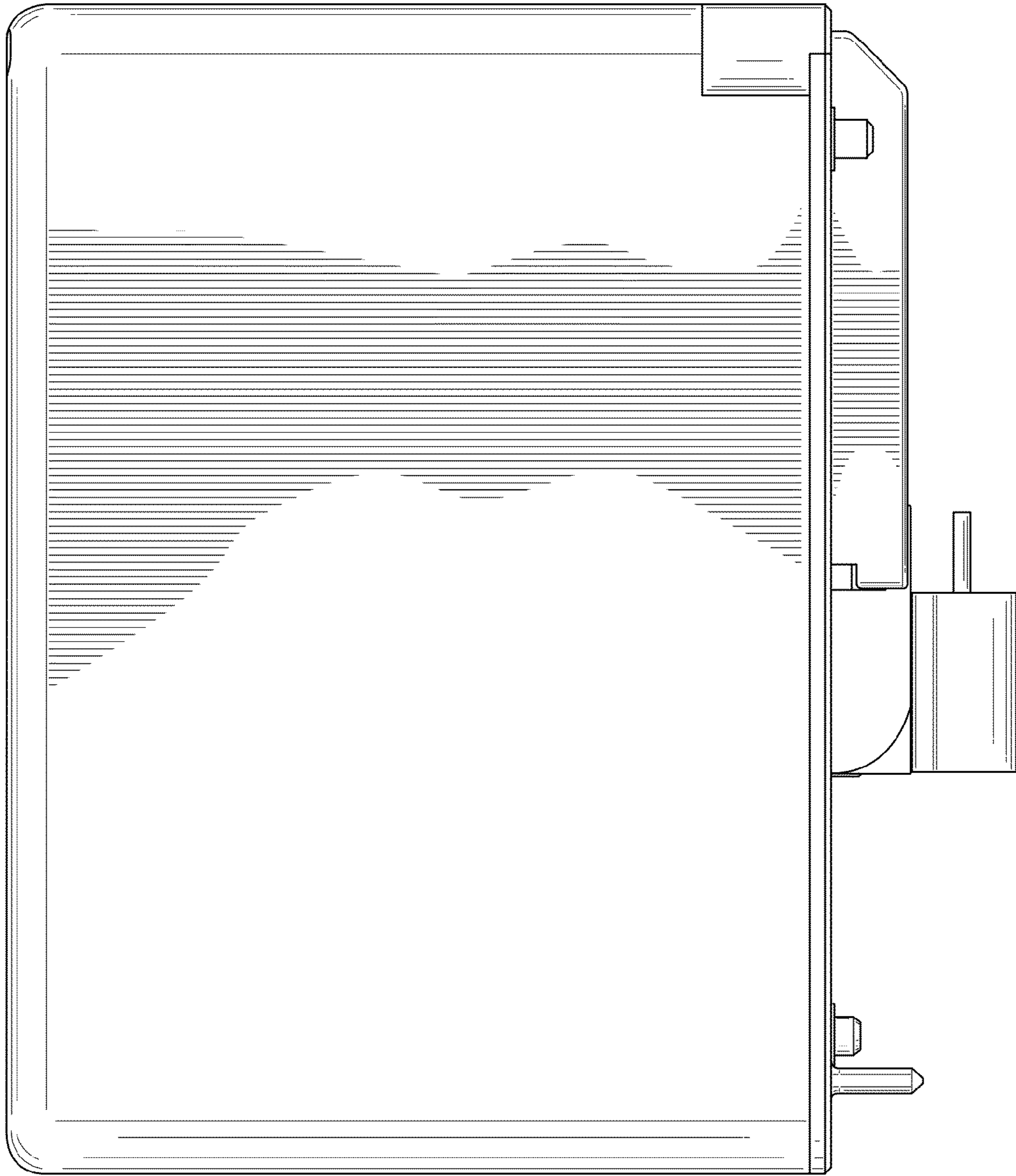


FIG. 7

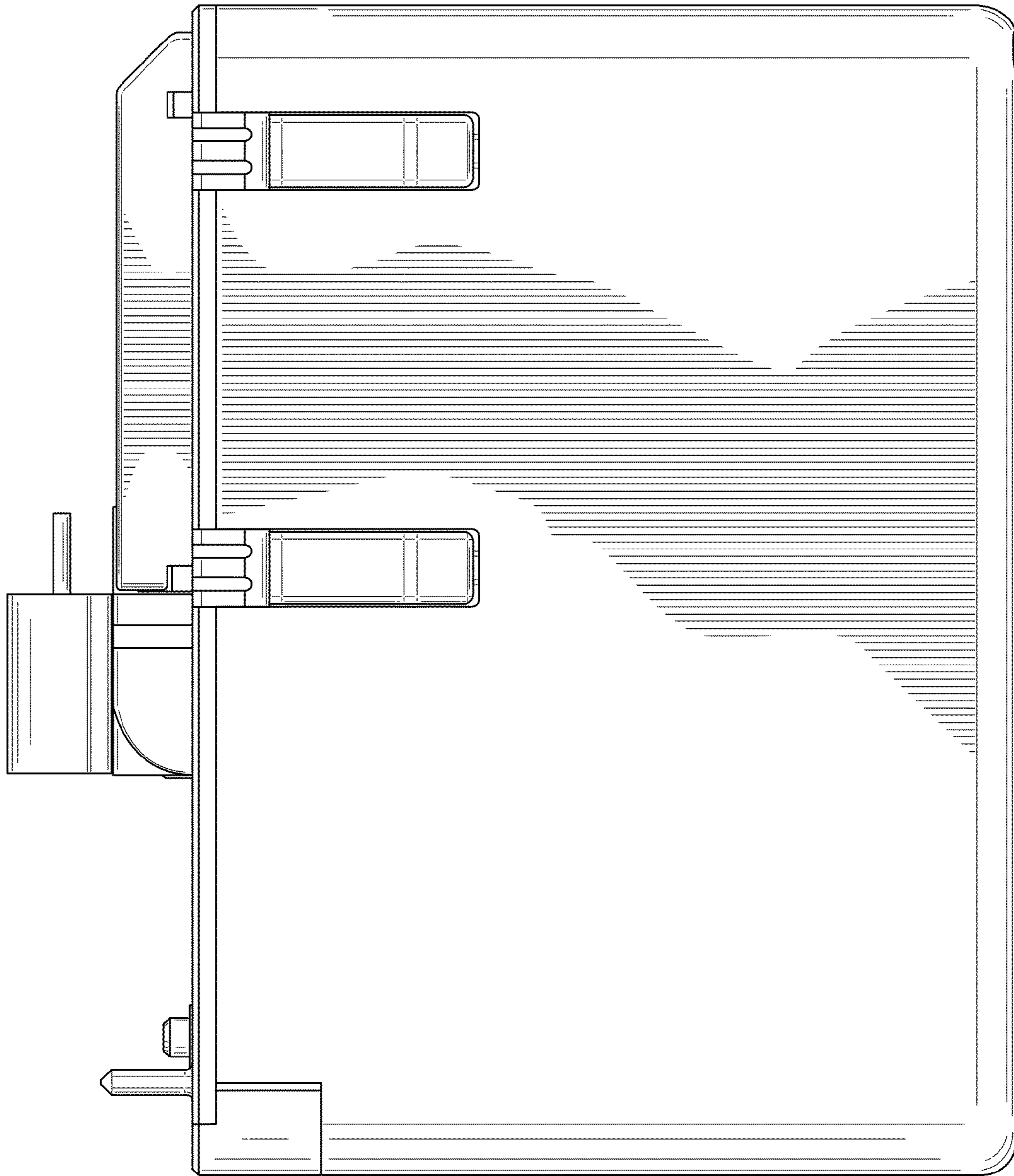


FIG. 8