



US00D717433S

(12) **United States Design Patent**  
**Samani et al.**

(10) **Patent No.:** **US D717,433 S**  
(45) **Date of Patent:** **\*\* Nov. 11, 2014**

- (54) **ORTHOPEDIC DUAL SLIDING COMPRESSION PLATE**
- (71) Applicants: **Seyed Salman Samani**, Tehran (IR);  
**Amir Reza Kachooei**, Mashad (IR)
- (72) Inventors: **Seyed Salman Samani**, Tehran (IR);  
**Amir Reza Kachooei**, Mashad (IR)
- (\*\*) Term: **14 Years**
- (21) Appl. No.: **29/460,033**
- (22) Filed: **Jul. 7, 2013**
- (51) **LOC (10) Cl.** ..... **24-02**
- (52) **U.S. Cl.**  
USPC ..... **D24/155; D24/171**
- (58) **Field of Classification Search**  
USPC ..... D24/155, 171, 170, 221, 216, 223, 224,  
D24/227, 230, 231; D3/313; D28/73;  
132/248, 245; 606/71, 74, 282, 321,  
606/327, 246, 248, 250, 280, 70, 284, 300;  
623/23.47, 23.53  
See application file for complete search history.

(56) **References Cited**

**U.S. PATENT DOCUMENTS**

D602,589	S	*	10/2009	Bush, Jr.	.....	D24/155
D603,961	S	*	11/2009	Kriska et al.	.....	D24/155
D603,963	S	*	11/2009	Kriska et al.	.....	D24/155
D615,652	S	*	5/2010	Weiman	.....	D24/155
D623,751	S	*	9/2010	Weiman	.....	D24/155
D643,927	S	*	8/2011	Prasad et al.	.....	D24/155
8,083,781	B2	*	12/2011	Reimels et al.	.....	606/282
8,206,390	B2	*	6/2012	Lindemann	.....	606/71
8,328,853	B2	*	12/2012	Ibrahim et al.	.....	606/282
8,636,738	B2	*	1/2014	McClintock et al.	.....	606/71
2003/0149434	A1	*	8/2003	Paul	.....	606/71
2007/0293864	A1	*	12/2007	Reimels et al.	.....	606/69
2009/0163960	A1	*	6/2009	Binder et al.	.....	606/280
2010/0234897	A1	*	9/2010	Fisher et al.	.....	606/286
2010/0268278	A1	*	10/2010	Foley et al.	.....	606/263
2010/0292696	A1	*	11/2010	Chantelot et al.	.....	606/70
2011/0054528	A1	*	3/2011	Michelson	.....	606/246

2011/0218570	A1	*	9/2011	Felix et al.	.....	606/246
2012/0083846	A1	*	4/2012	Wallenstein et al.	.....	606/279
2012/0123475	A1	*	5/2012	Ahn et al.	.....	606/246
2012/0232595	A1	*	9/2012	Holschlag	.....	606/280
2012/0265203	A1	*	10/2012	Angelucci et al.	.....	606/70
2013/0053895	A1	*	2/2013	Stoll et al.	.....	606/279
2013/0072978	A1	*	3/2013	Ammerman et al.	.....	606/246

(Continued)

*Primary Examiner* — Ian Simmons  
*Assistant Examiner* — Rhea Shields

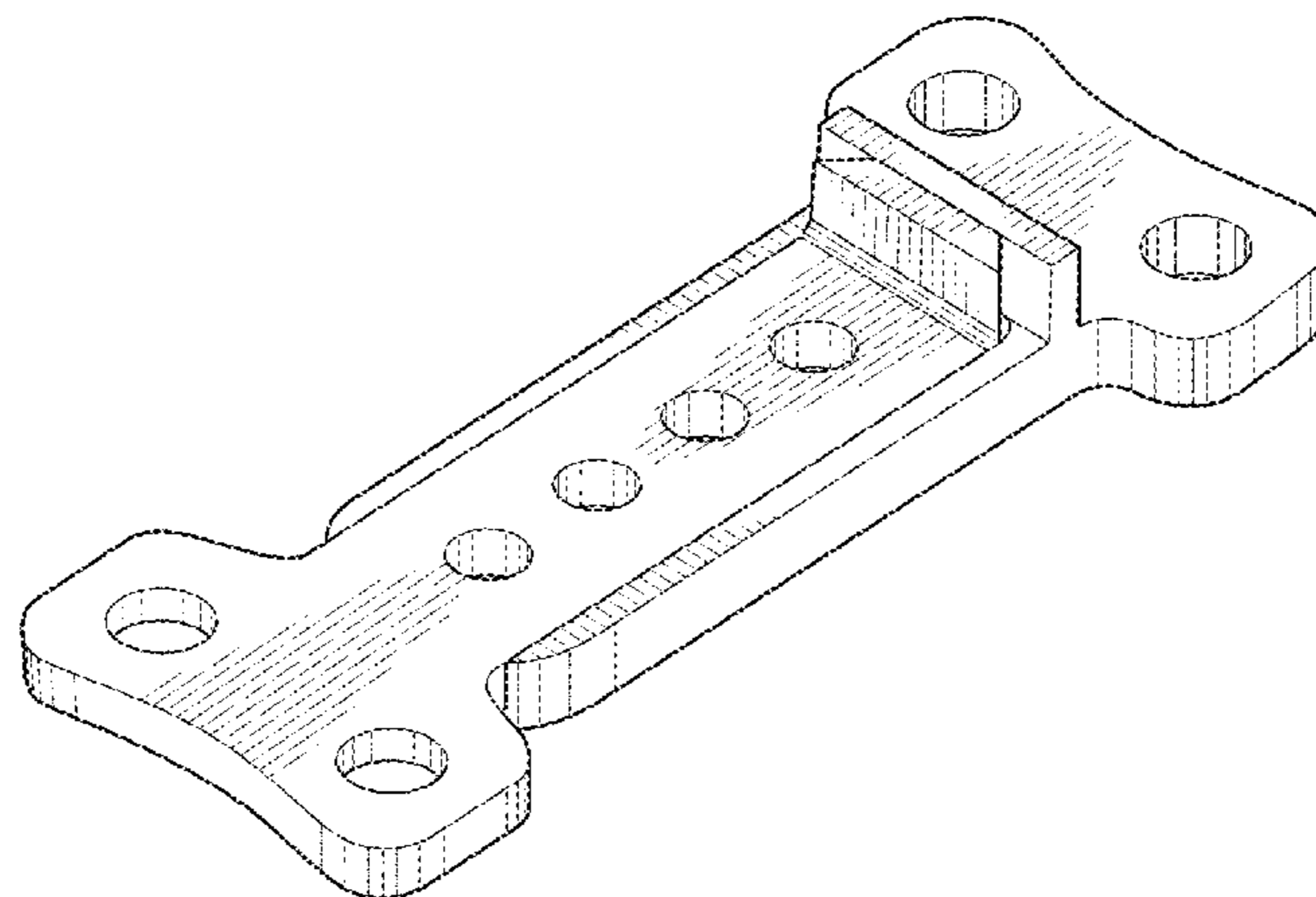
(57) **CLAIM**

The ornamental design for an orthopedic dual sliding compression plate, substantially as shown and described.

**DESCRIPTION**

FIG. 1 is a top perspective view of the complete orthopedic dual sliding compression plate.  
 FIG. 2 is a top view thereof.  
 FIG. 3 is a bottom view thereof.  
 FIG. 4 is a left side view thereof.  
 FIG. 5 is a right side view thereof.  
 FIG. 6 is a front view thereof.  
 FIG. 7 is a back view thereof.  
 FIG. 8 is a top perspective view of the male member of the orthopedic dual sliding compression plate.  
 FIG. 9 is a top view thereof.  
 FIG. 10 is a bottom view thereof.  
 FIG. 11 is a left side view thereof.  
 FIG. 12 is a right side view thereof.  
 FIG. 13 is a back view thereof.  
 FIG. 14 is a front view thereof.  
 FIG. 15 is a top perspective view of the female member of the orthopedic dual sliding compression plate.  
 FIG. 16 is a top view thereof.  
 FIG. 17 is a bottom view thereof.  
 FIG. 18 is a left side view thereof.  
 FIG. 19 is a right side view thereof.  
 FIG. 20 is a front view thereof; and,  
 FIG. 21 is a back view thereof.

**1 Claim, 6 Drawing Sheets**



# US D717,433 S

Page 2

---

(56)

## References Cited

### U.S. PATENT DOCUMENTS

2013/0204300 A1*	8/2013	Michelson .....	606/246
2013/0304067 A1*	11/2013	Hess et al. ....	606/71
2014/0107650 A1*	4/2014	Dacosta et al. ....	606/70
2013/0165934 A1*	6/2013	Ibrahim et al. ....	606/71

\* cited by examiner

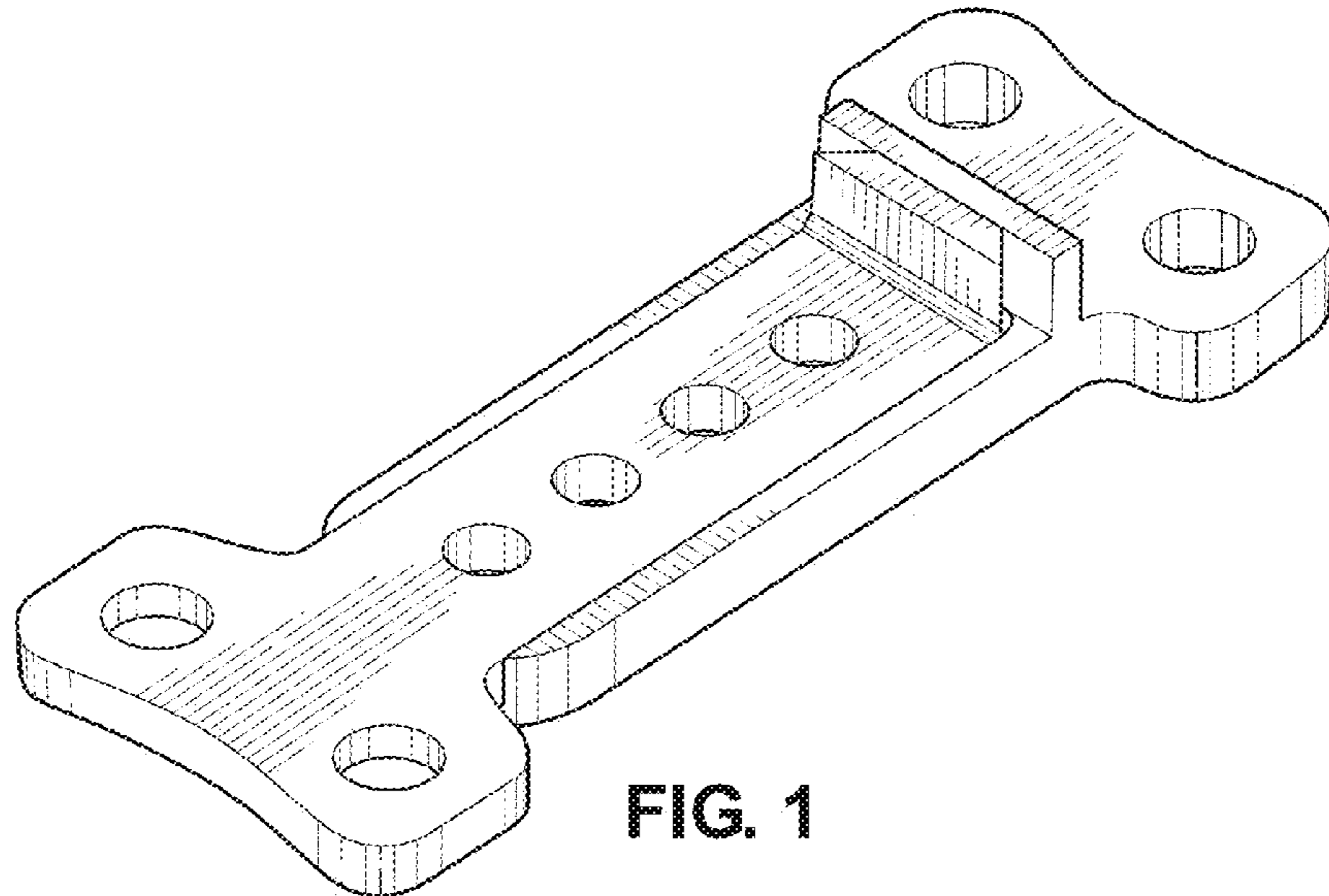


FIG. 1

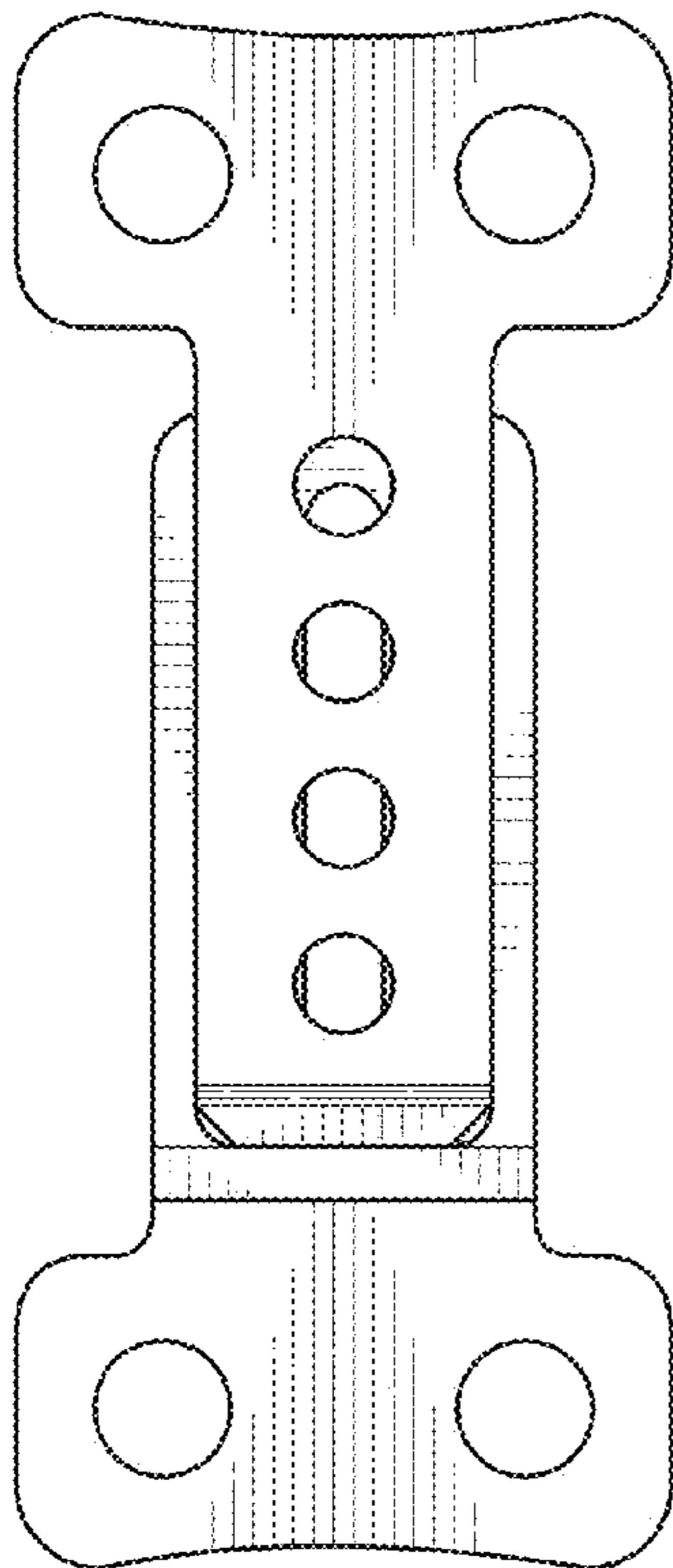


FIG. 2

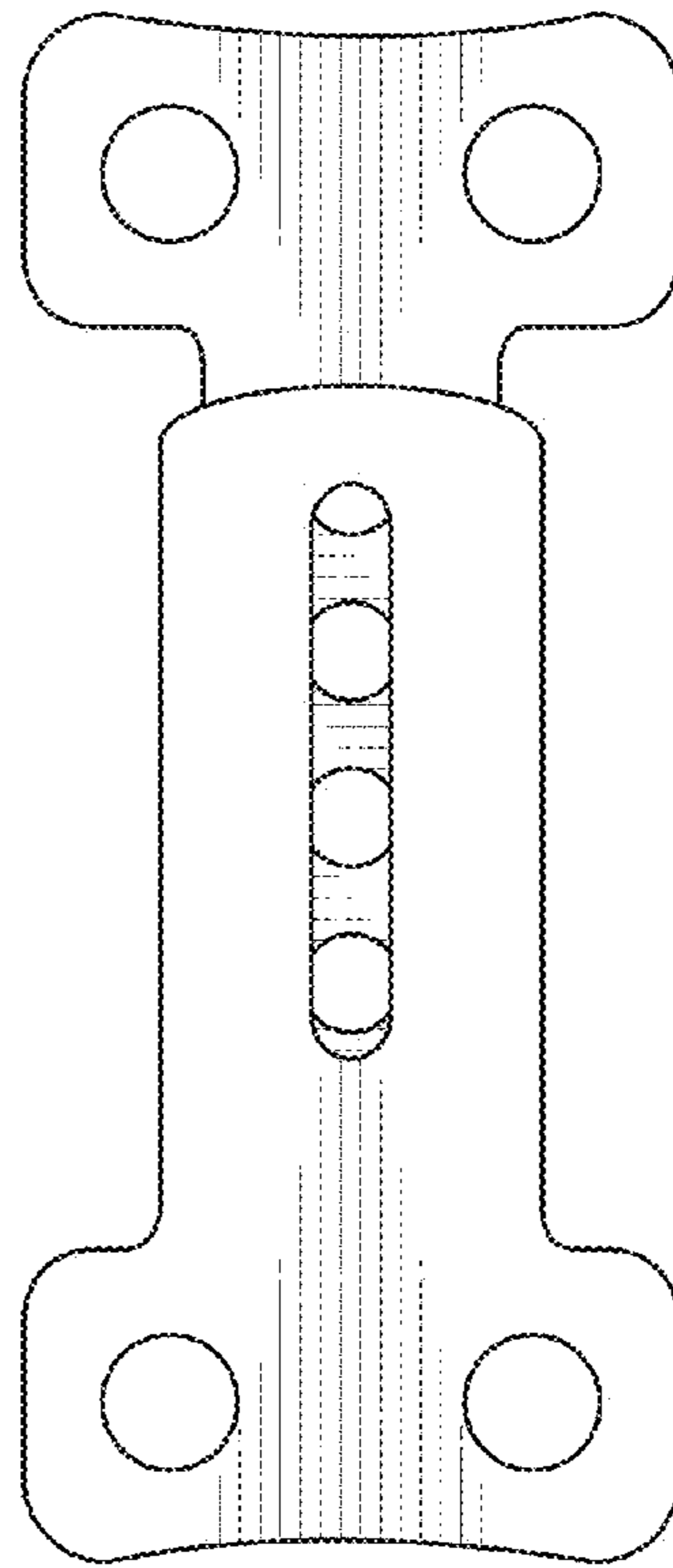


FIG. 3

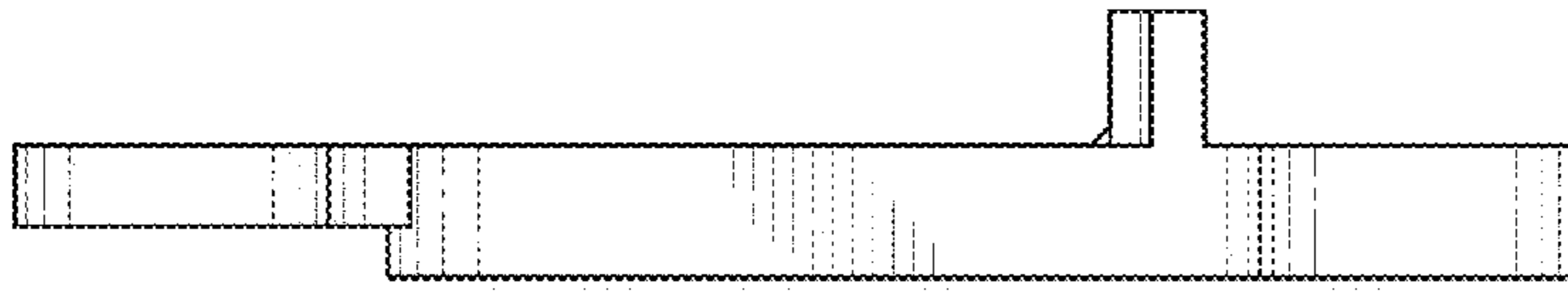


FIG. 4

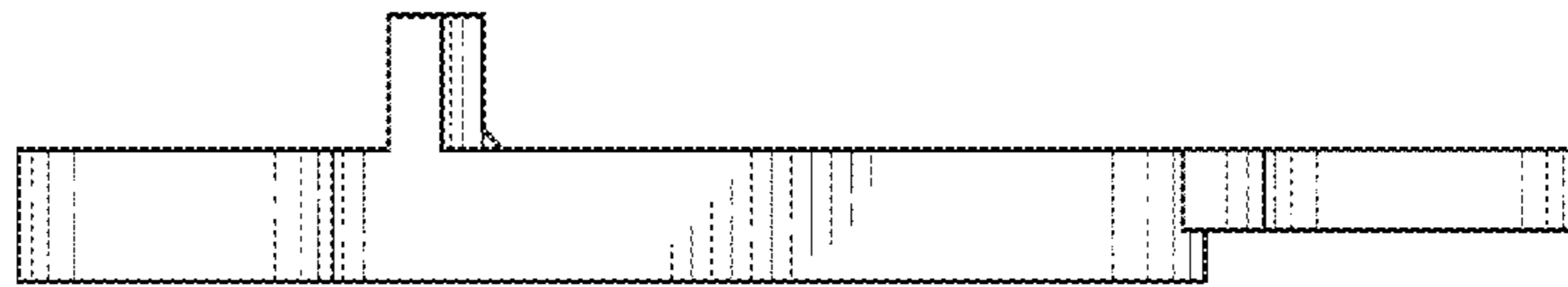


FIG. 5

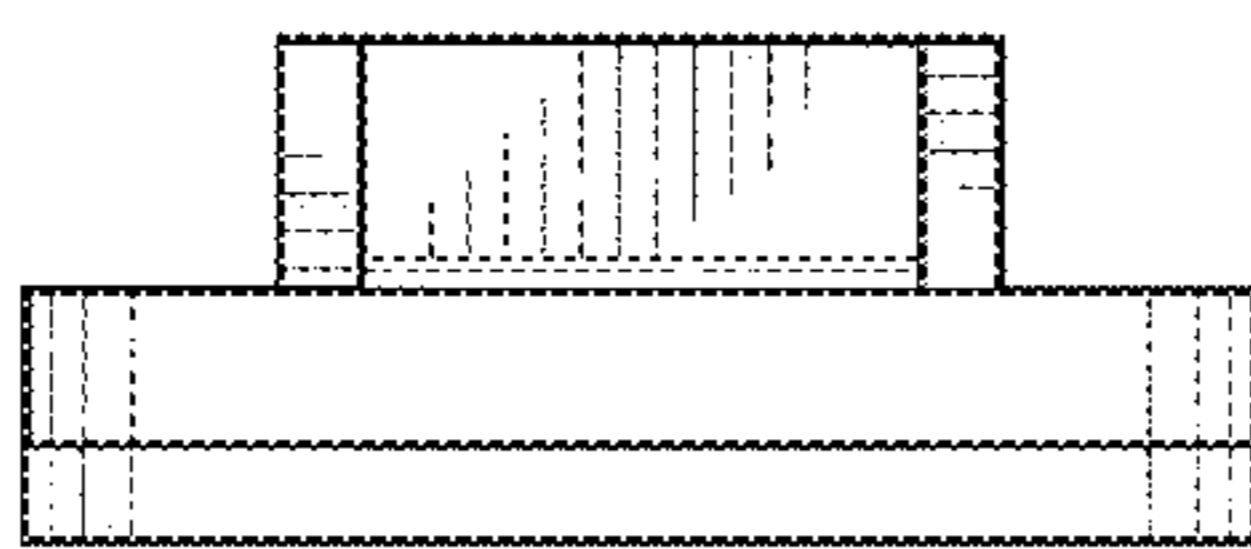


FIG. 6

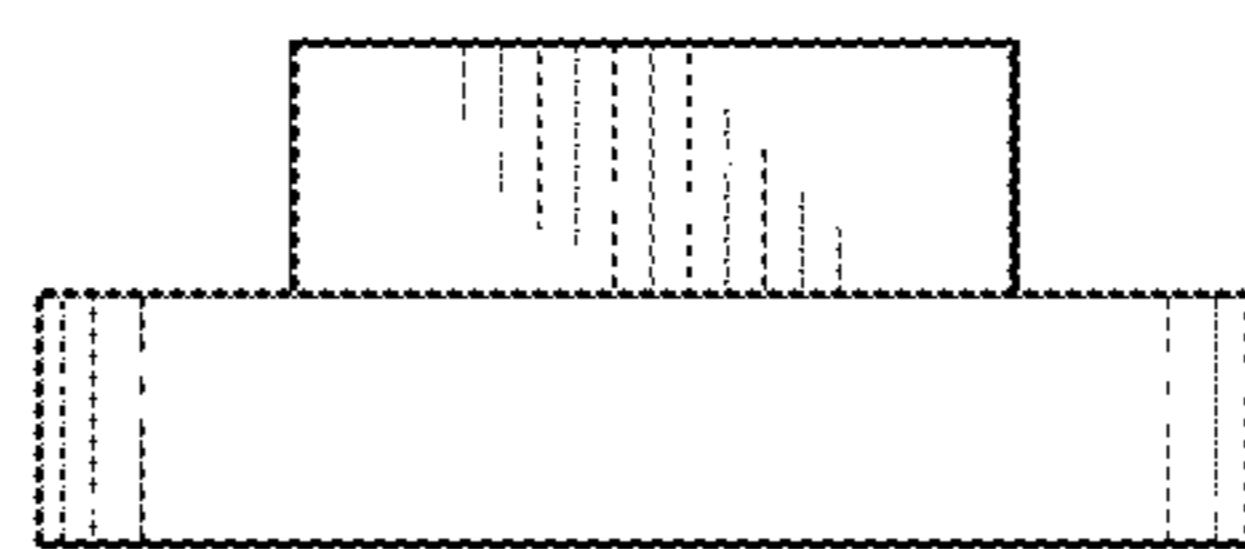


FIG. 7

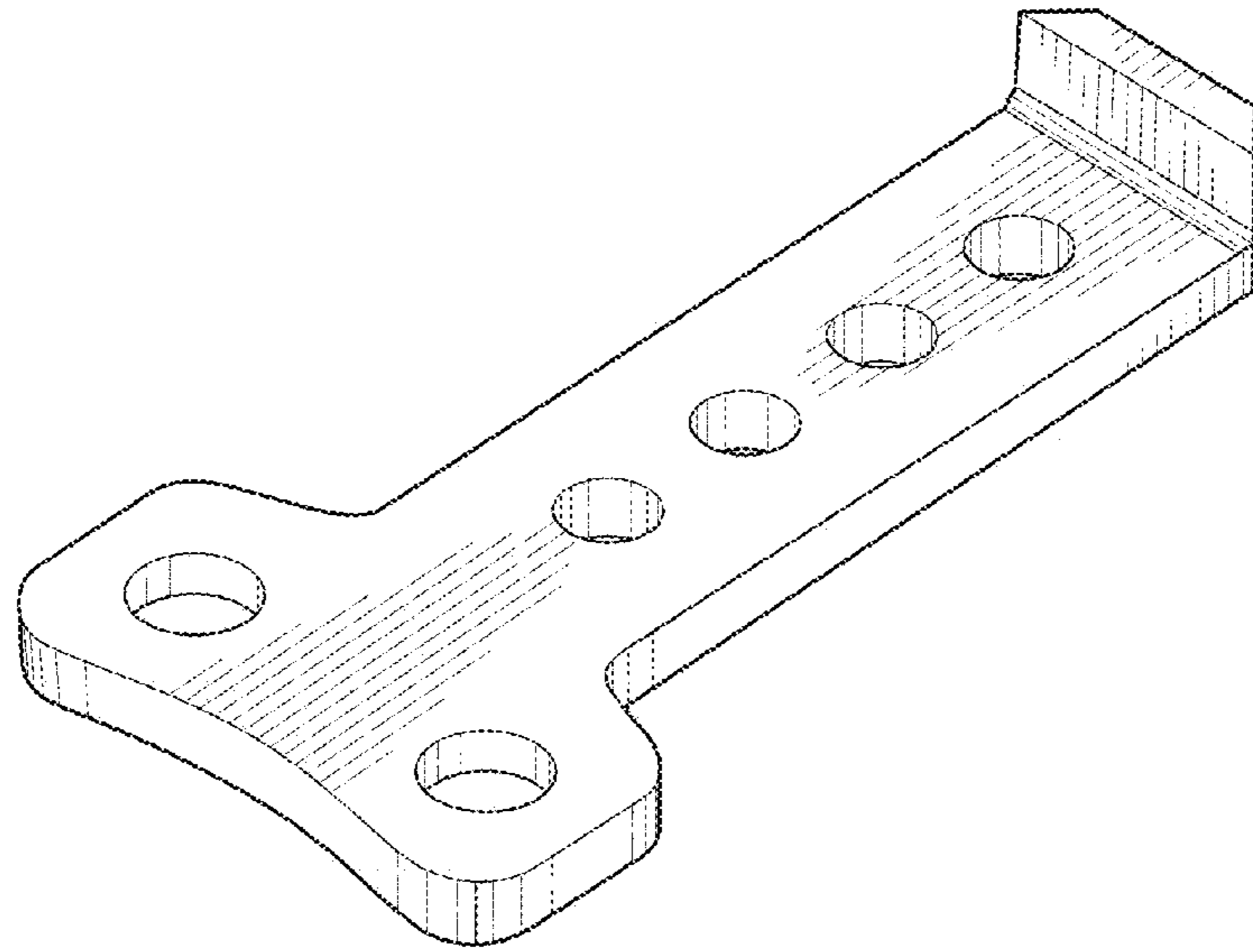


FIG. 8

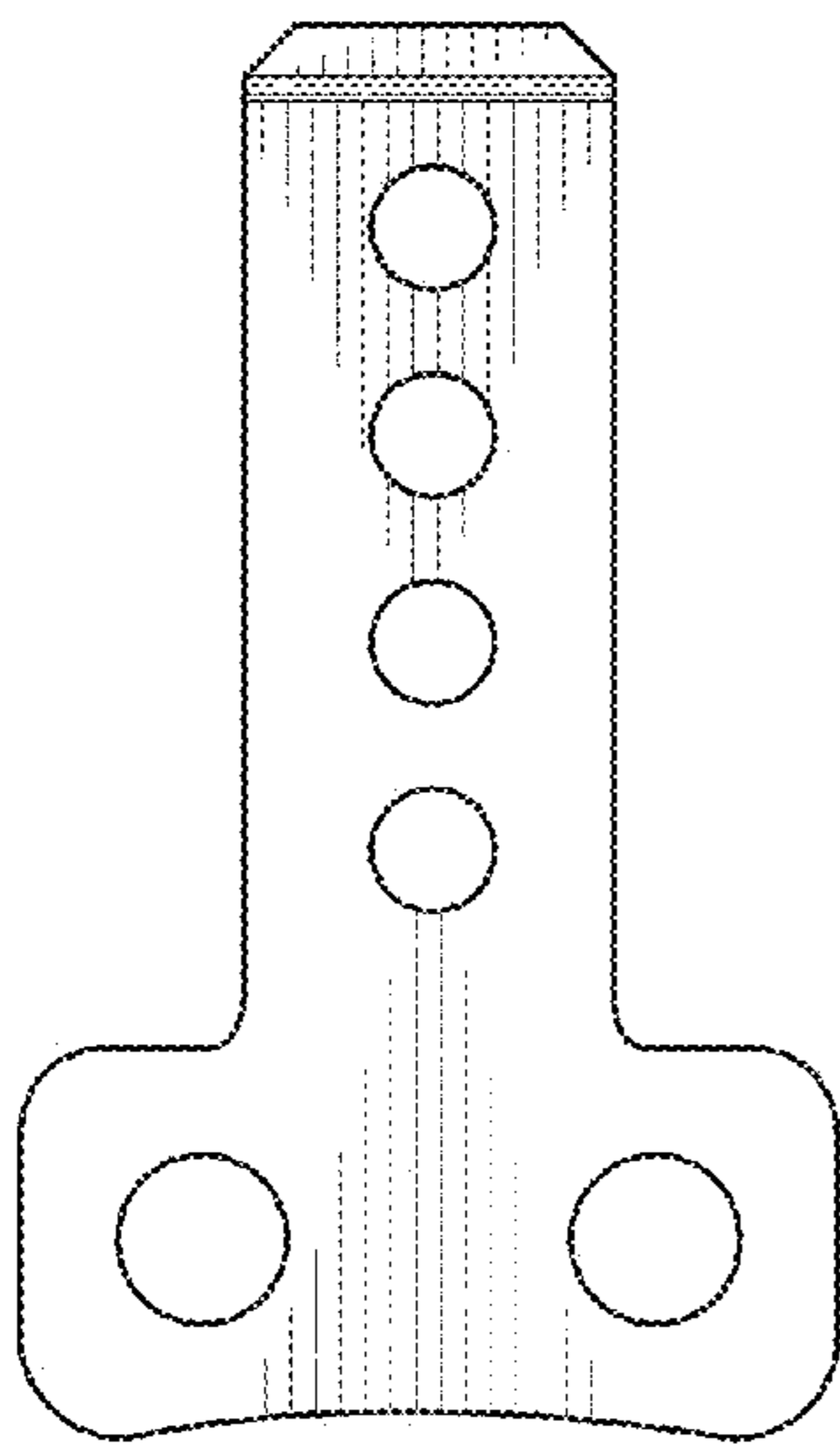


FIG. 9

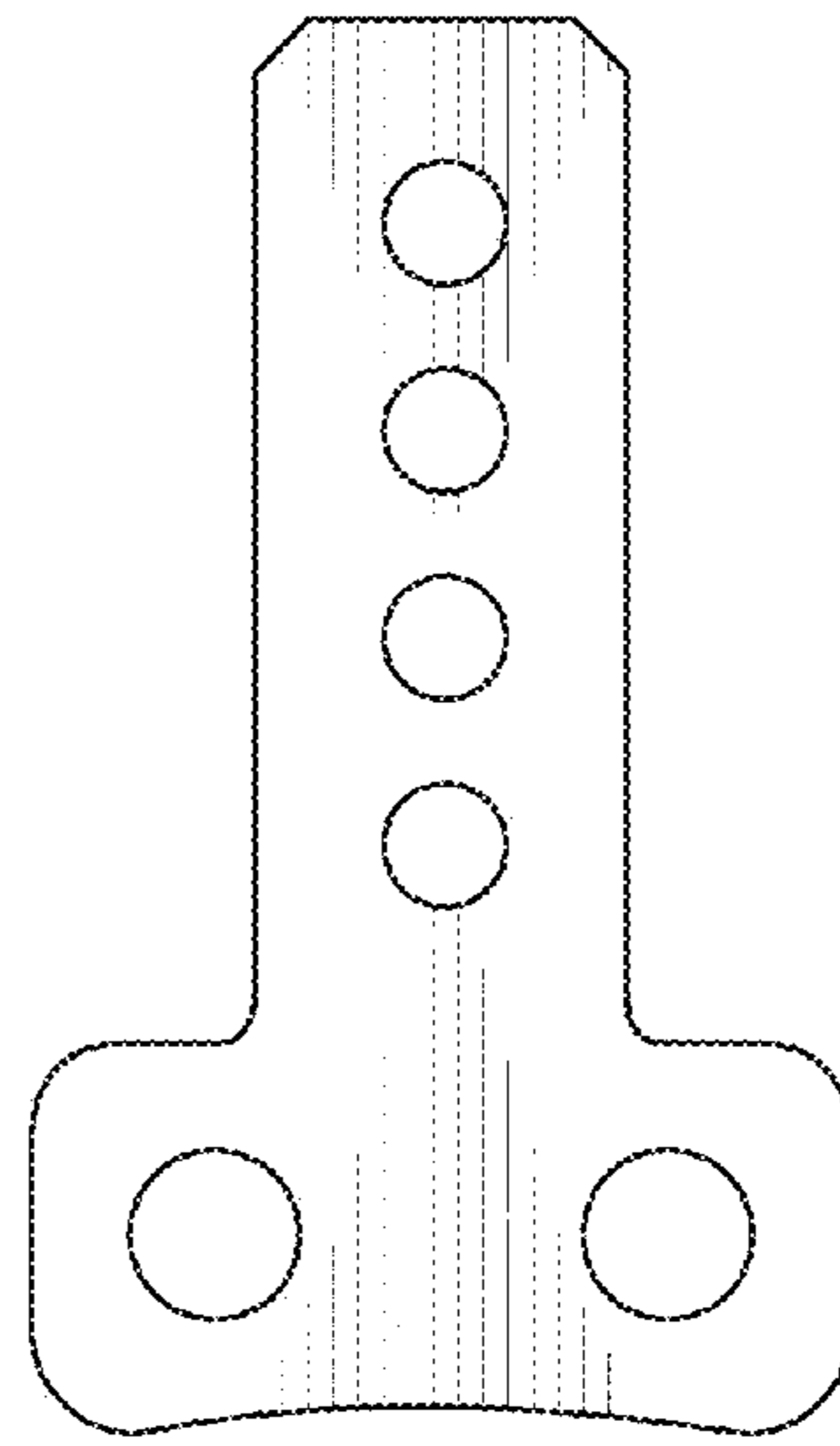


FIG. 10



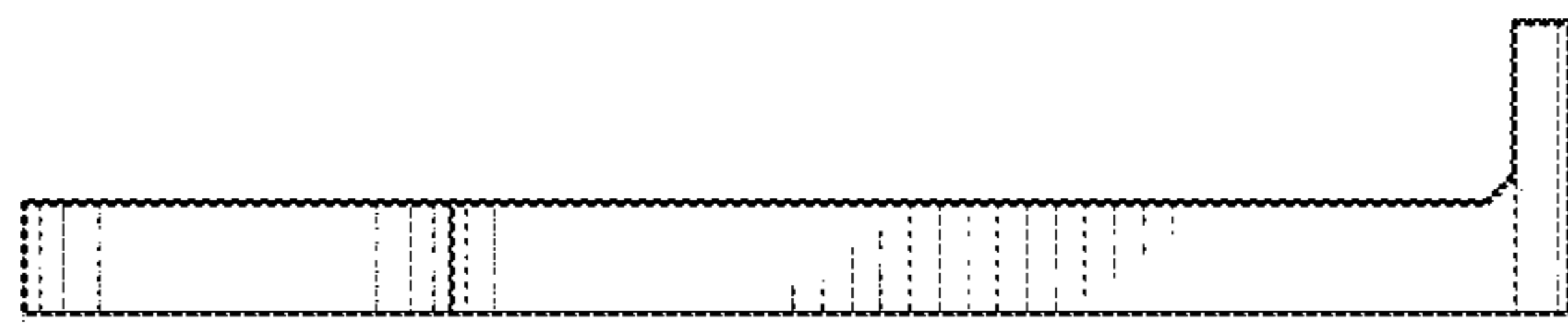


FIG. 11

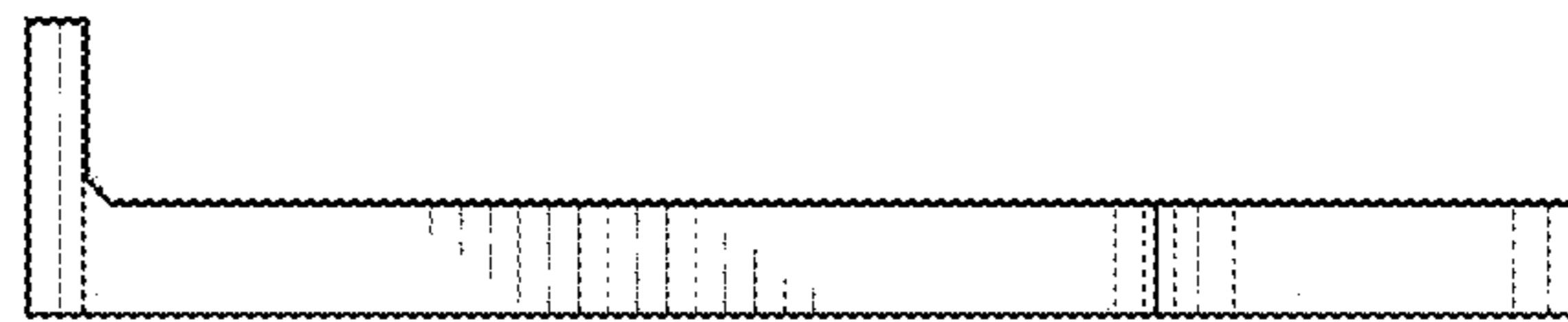


FIG. 12

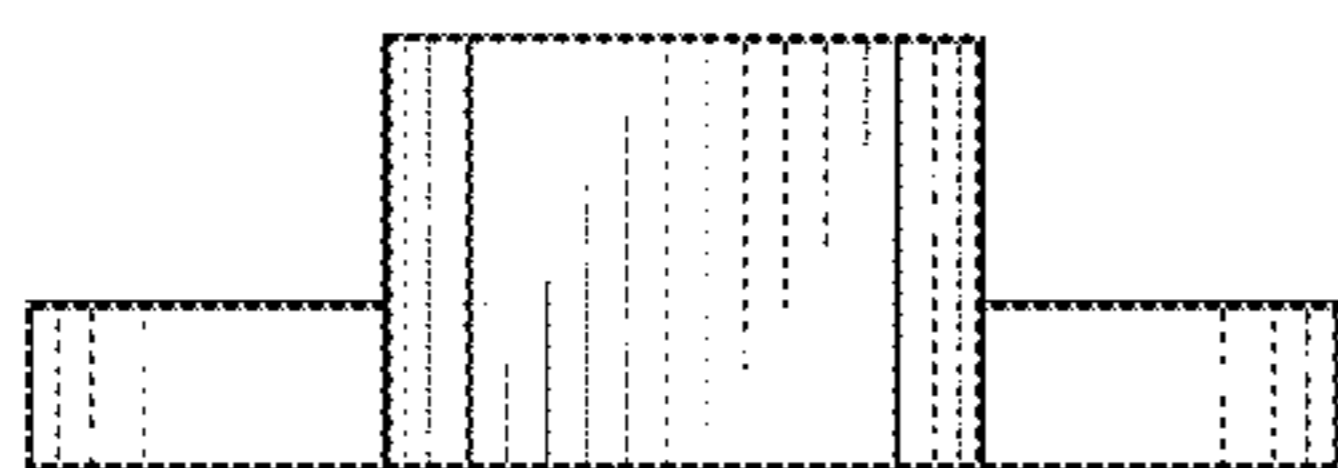


FIG. 13

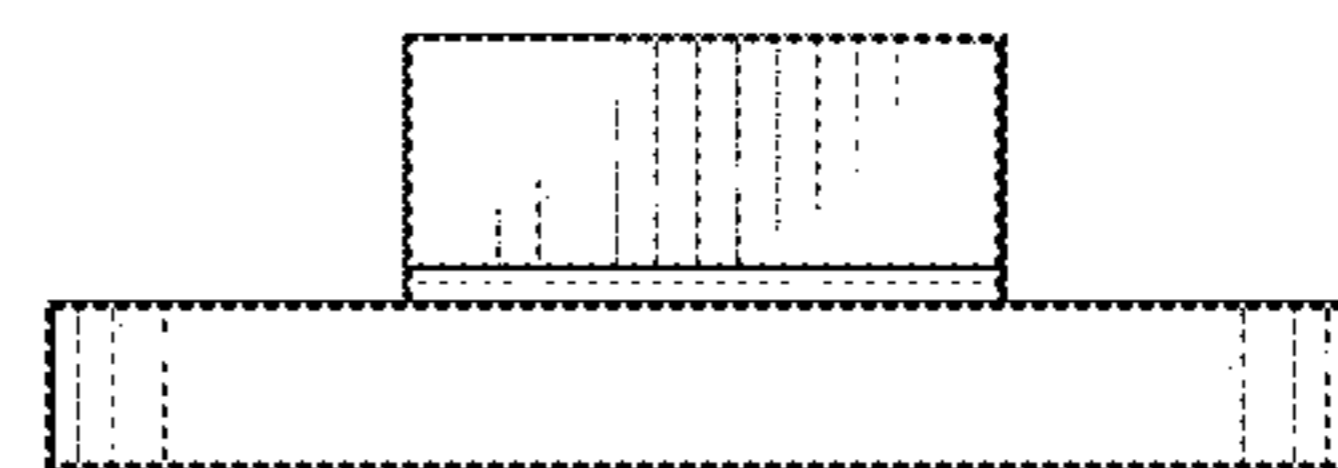


FIG. 14

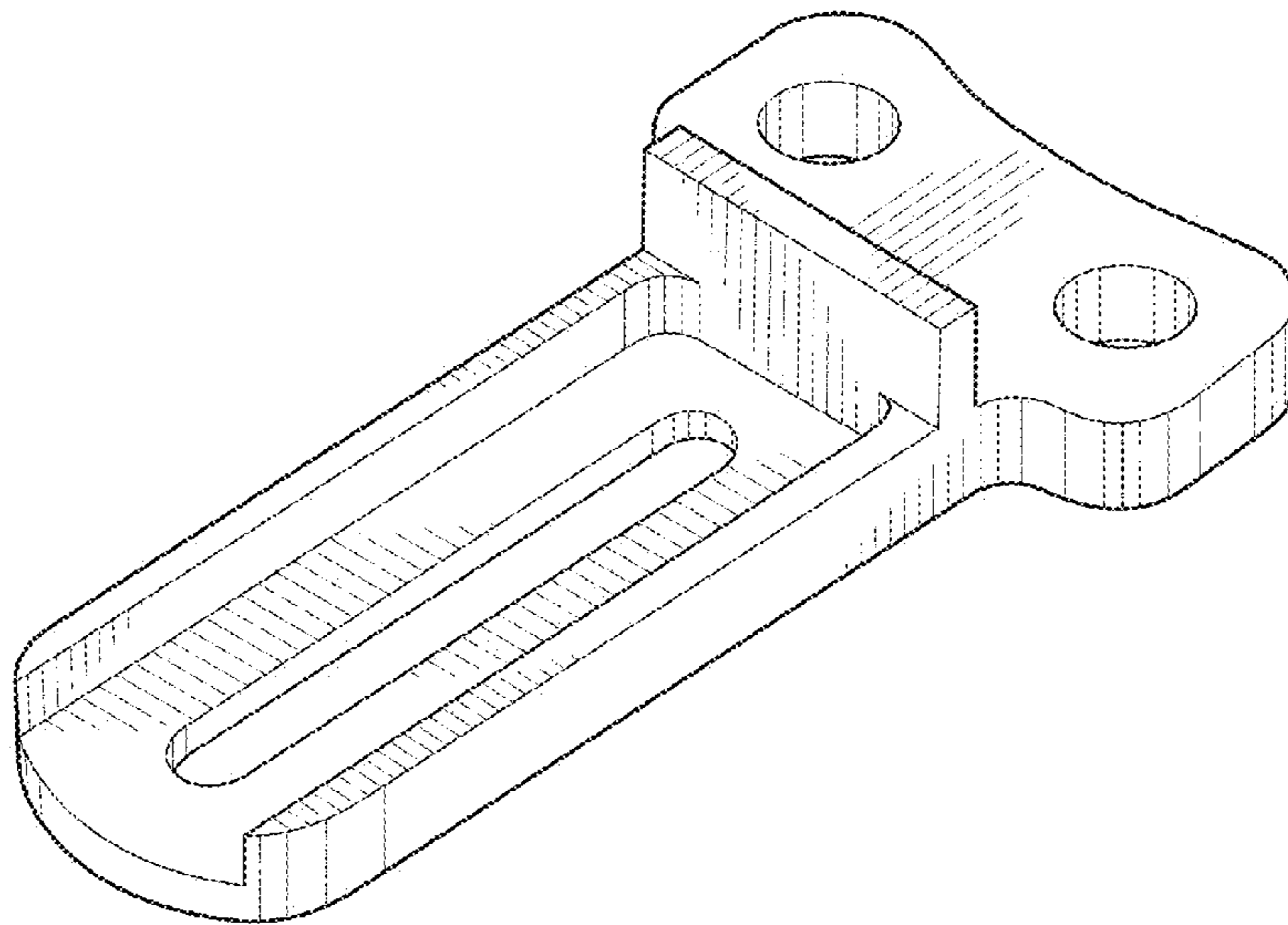


FIG. 15

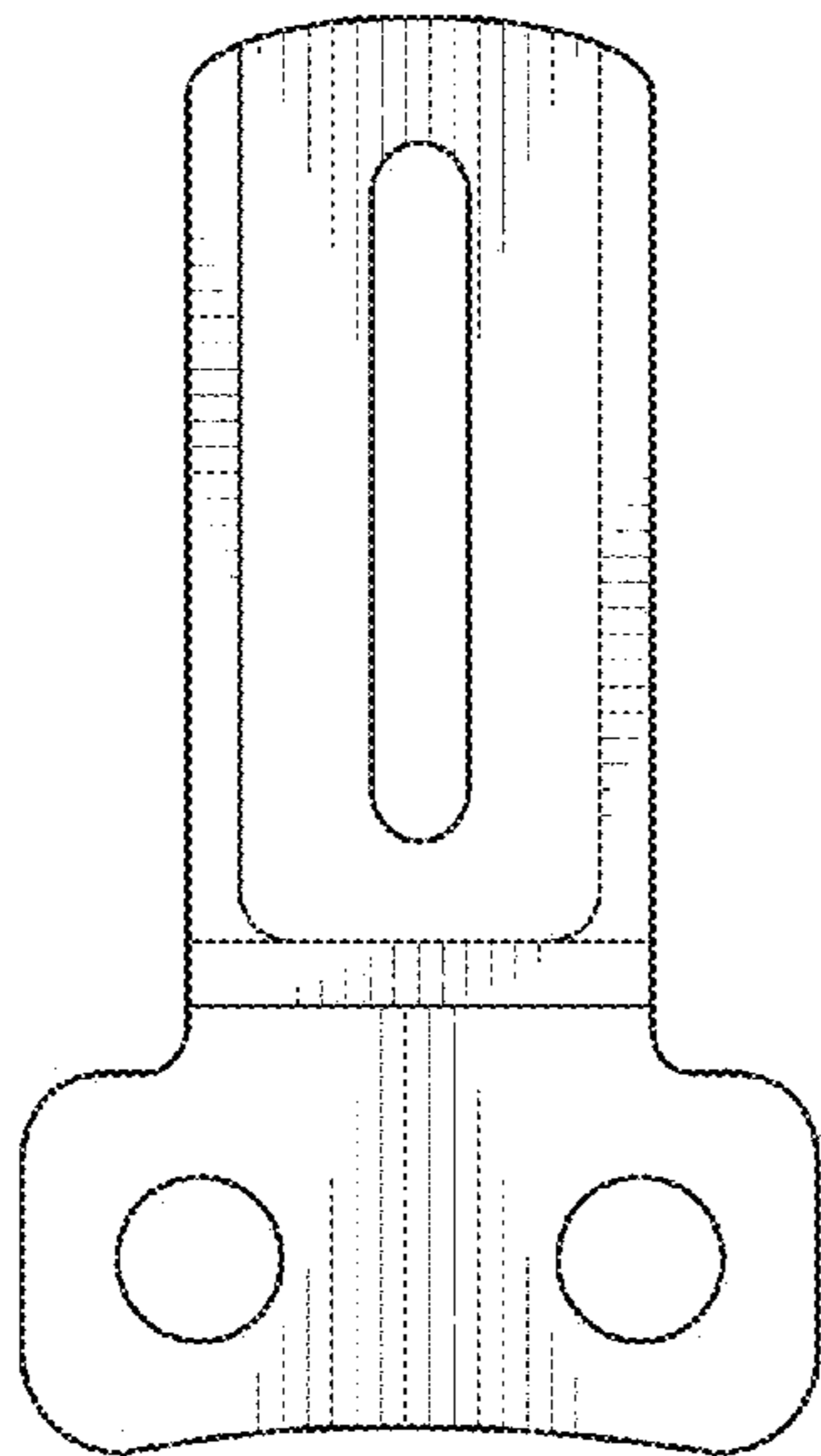


FIG. 16

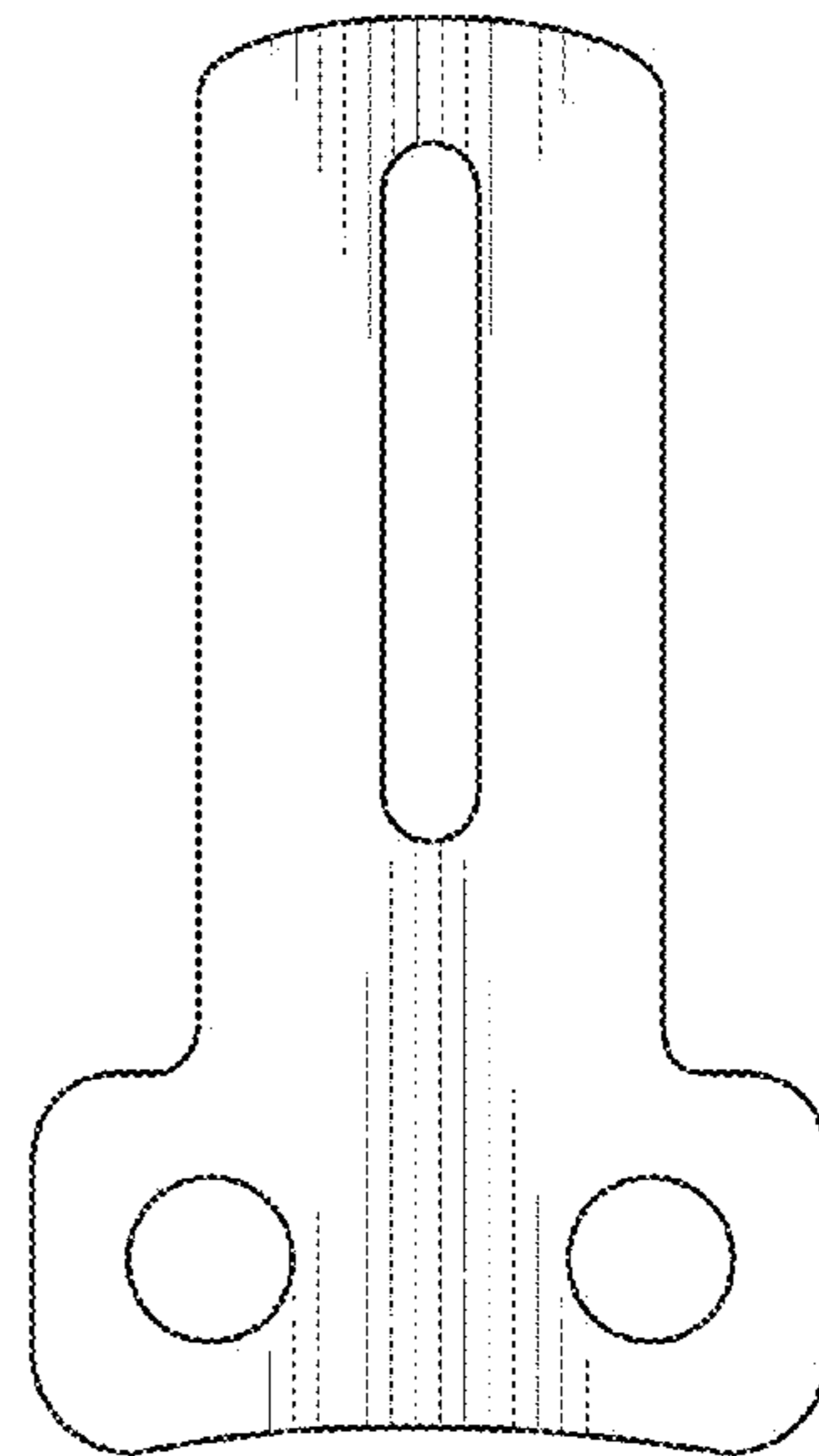


FIG. 17

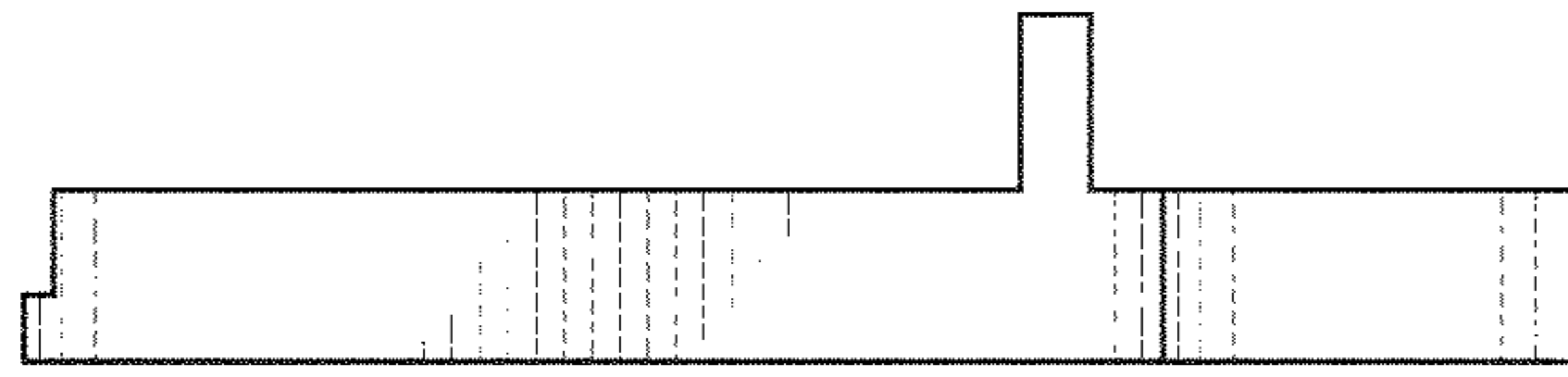


FIG. 18

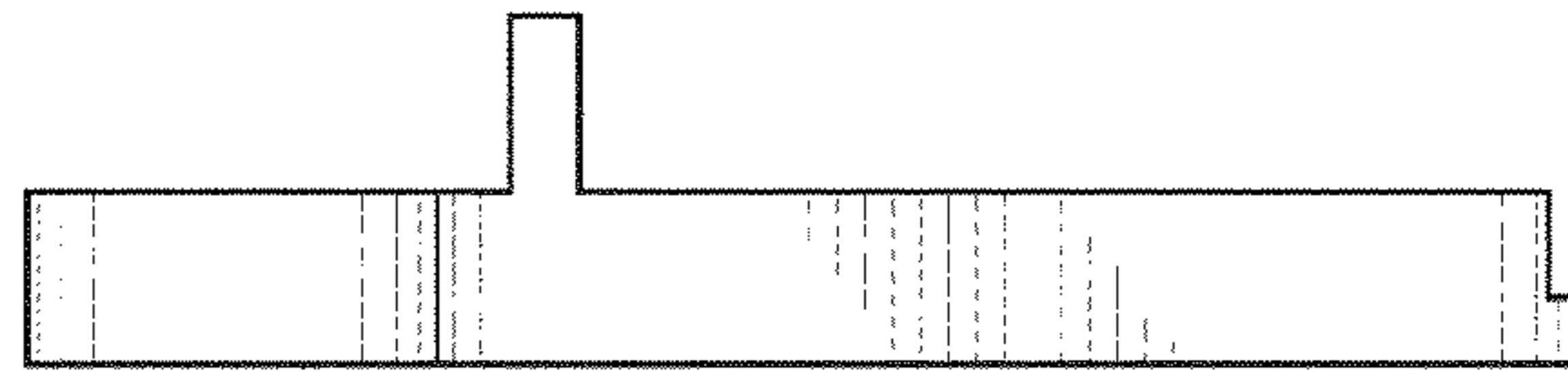


FIG. 19

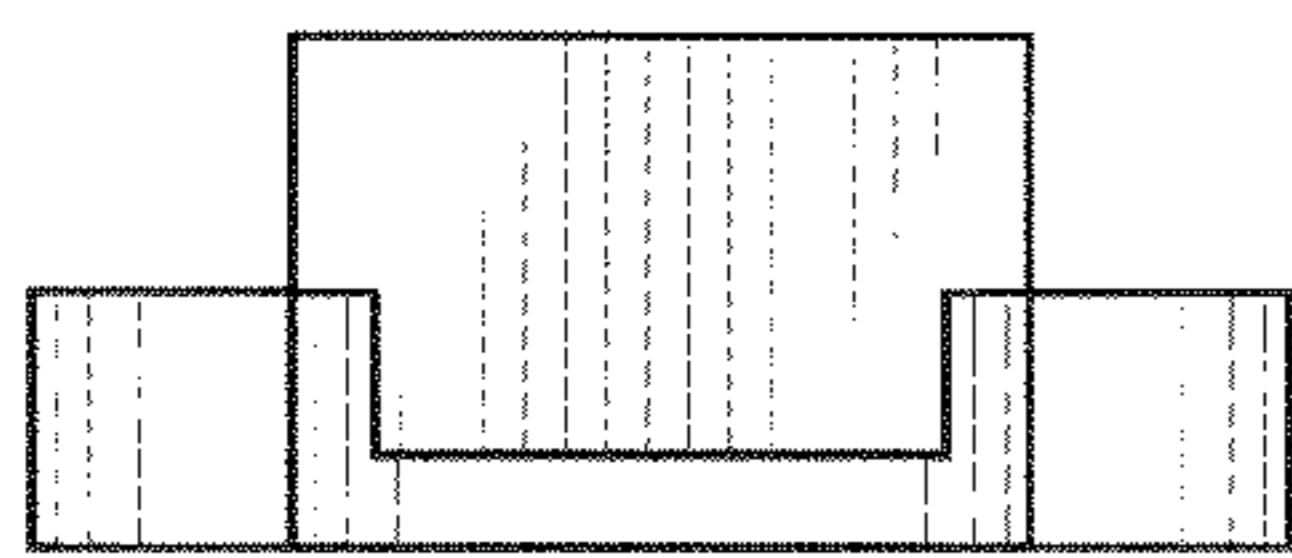


FIG. 20

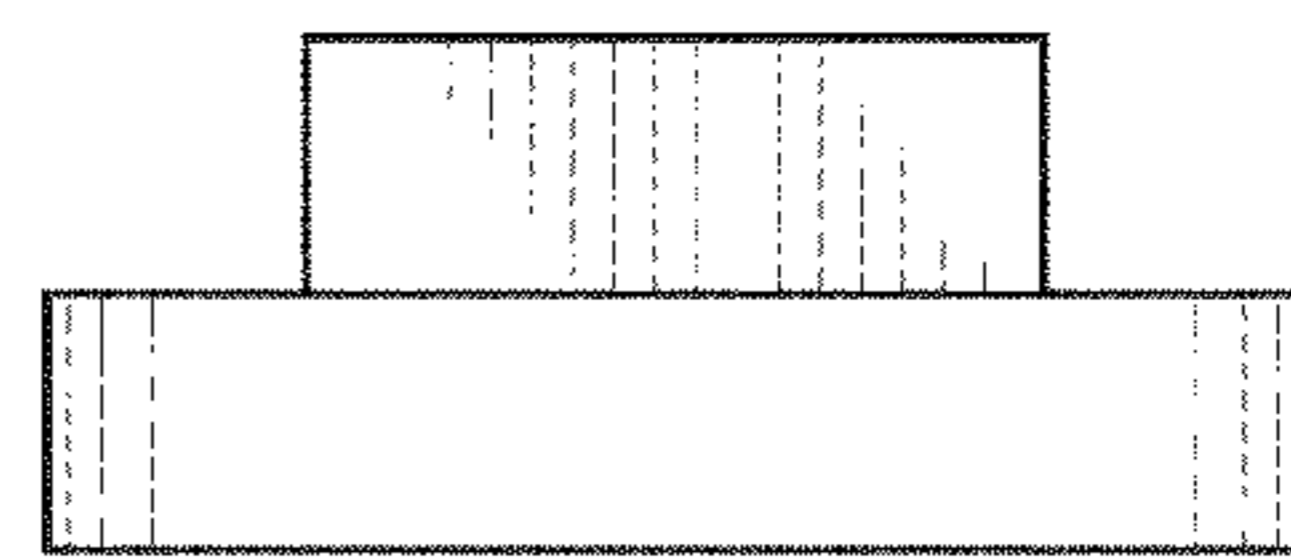


FIG. 21