



US00D717429S

(12) **United States Design Patent**  
**Kawamura**

(10) **Patent No.:** **US D717,429 S**

(45) **Date of Patent:** **\*\* \*Nov. 11, 2014**

(54) **PLUNGER ROD**

(71) Applicant: **Daikyo Seiko, Ltd.**, Tokyo (JP)

(72) Inventor: **Hideaki Kawamura**, Tokyo (JP)

(73) Assignee: **Daikyo Seiko, Ltd.**, Sumida-ku, Tokyo (JP)

(\* ) Notice: This patent is subject to a terminal disclaimer.

(\*\* ) Term: **14 Years**

(21) Appl. No.: **29/458,394**

(22) Filed: **Jun. 19, 2013**

(30) **Foreign Application Priority Data**

Dec. 19, 2012 (JP) ..... 2012-030898

(51) **LOC (10) Cl.** ..... **24-02**

(52) **U.S. Cl.**  
USPC ..... **D24/130**

(58) **Field of Classification Search**  
USPC ..... D24/112-114, 129, 130, 127, 133, 186,  
D24/108; 606/181, 185; 604/264, 500, 506,  
604/272, 115, 164.01-164.09, 533, 232,  
604/187, 168.01, 192, 19, 48, 93.01, 523,  
604/524, 526; 600/101, 139, 143;  
128/200.24, 207.14, 207.15  
See application file for complete search history.

(56) **References Cited**

**U.S. PATENT DOCUMENTS**

4,592,356 A \* 6/1986 Gutierrez ..... 606/185  
D307,634 S \* 5/1990 Cook ..... D24/130  
5,522,832 A \* 6/1996 Kugo et al. .... 606/185  
D387,162 S \* 12/1997 Zeimer et al. .... D24/150  
D517,694 S \* 3/2006 Wilshire et al. .... D24/146  
7,135,015 B2 \* 11/2006 Dulak et al. .... 604/523

D581,529 S \* 11/2008 Moehle et al. .... D24/130  
D590,945 S \* 4/2009 Berberich ..... D24/146  
D594,119 S \* 6/2009 Berberich et al. .... D24/133  
8,092,424 B2 \* 1/2012 Mueller et al. .... 604/110  
D690,807 S \* 10/2013 Ivosevic ..... D24/130  
D700,318 S \* 2/2014 Amoah et al. .... D24/112  
D700,322 S \* 2/2014 Kleiner ..... D24/133

**FOREIGN PATENT DOCUMENTS**

JP 1459400 S 1/2013  
JP 1459401 S 1/2013

\* cited by examiner

*Primary Examiner* — David Muller

(74) *Attorney, Agent, or Firm* — Taft Stettinius & Hollister LLP

(57) **CLAIM**

The ornamental design for a plunger rod, as shown and described.

**DESCRIPTION**

FIG. 1 is a front elevational view of a plunger rod showing my new design, the rear elevational view being identical thereto; FIG. 2 is a top plan view thereof, the bottom plan view being identical thereto; FIG. 3 is a right side elevational view thereof; FIG. 4 is a left side elevational view thereof; FIG. 5 is an enlarged view of the portion defined by lines 5-5 of FIG. 1; FIG. 6 is a sectional view taken along line 6-6 of FIG. 3; FIG. 7 is an enlarged sectional view of the portion defined by lines 7-7 of FIG. 6; FIG. 8 is a perspective view thereof; FIG. 9 is a perspective view thereof in a state of use; and, FIG. 10 is a perspective view thereof in another state of use. The broken lines are for the purpose of illustrating environmental structure only and form no part of the claimed design.

**1 Claim, 10 Drawing Sheets**

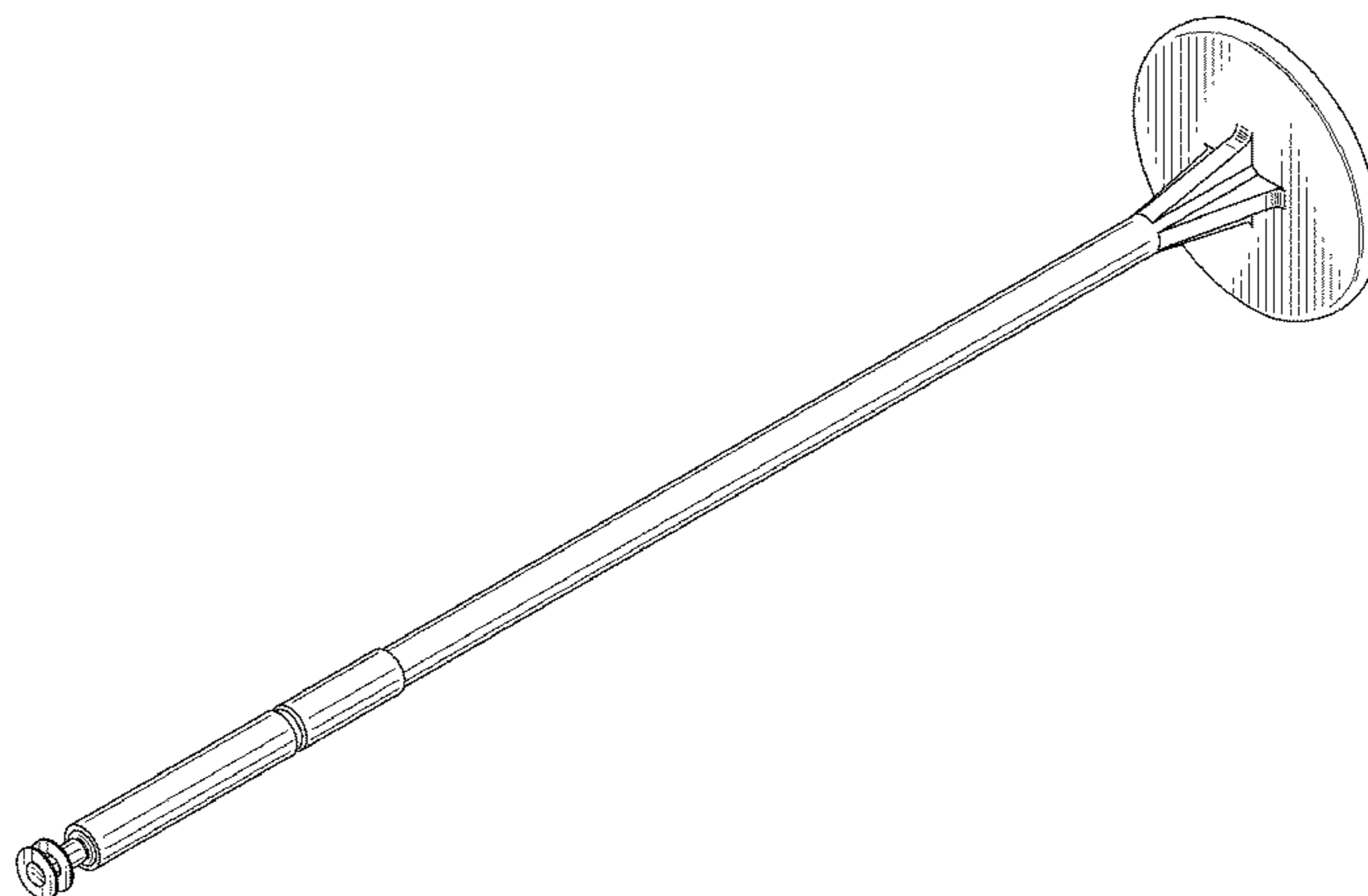


FIG. 1

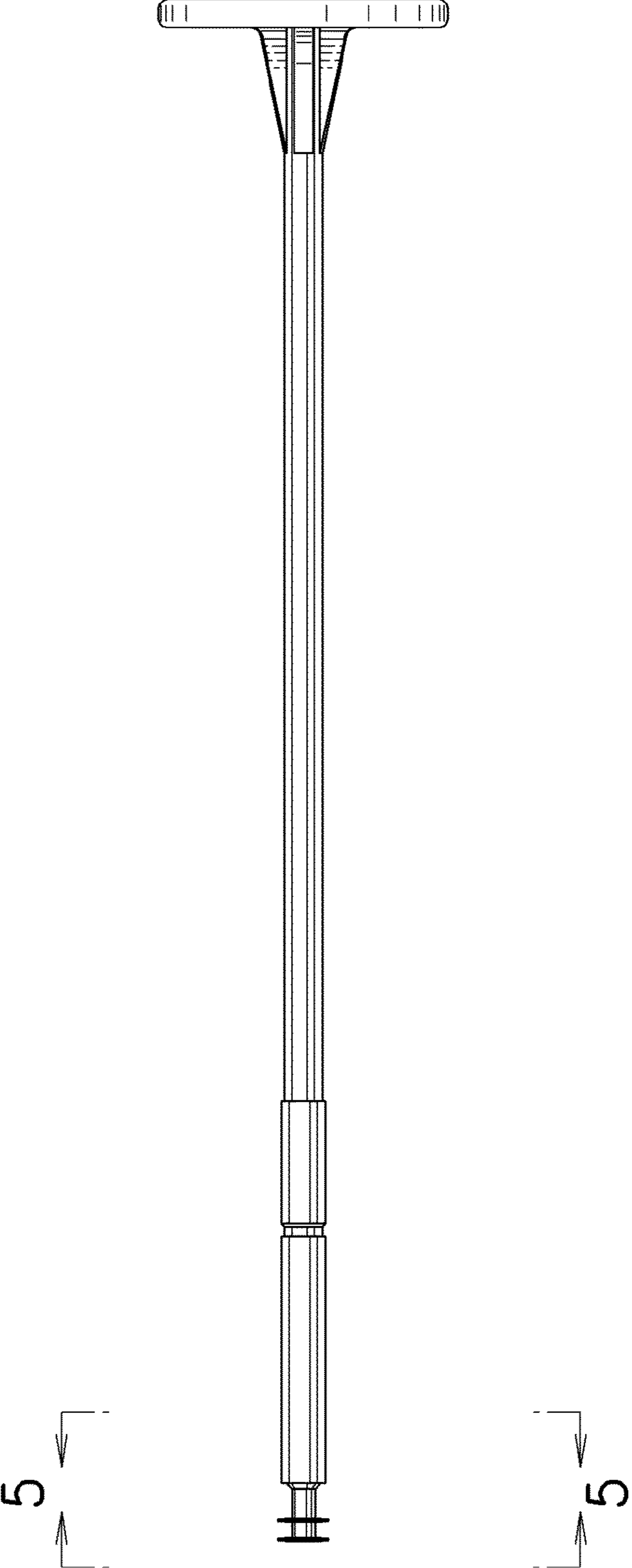


FIG. 2

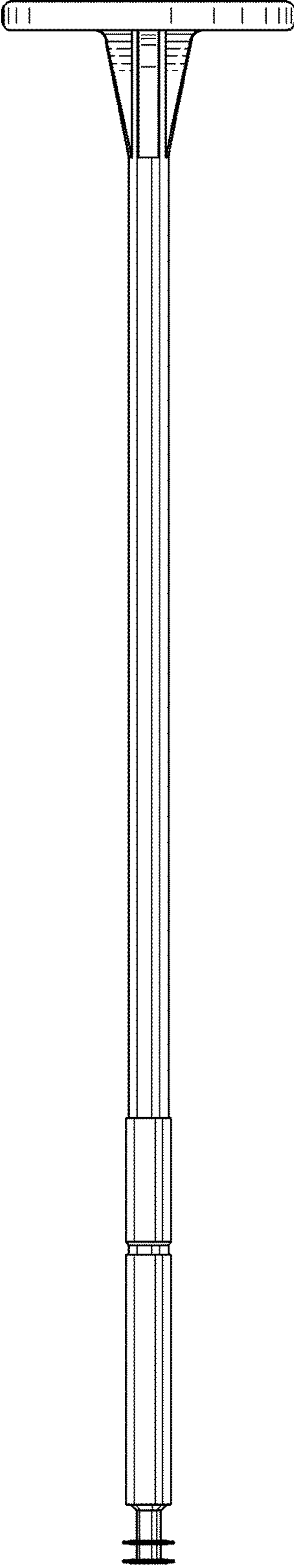
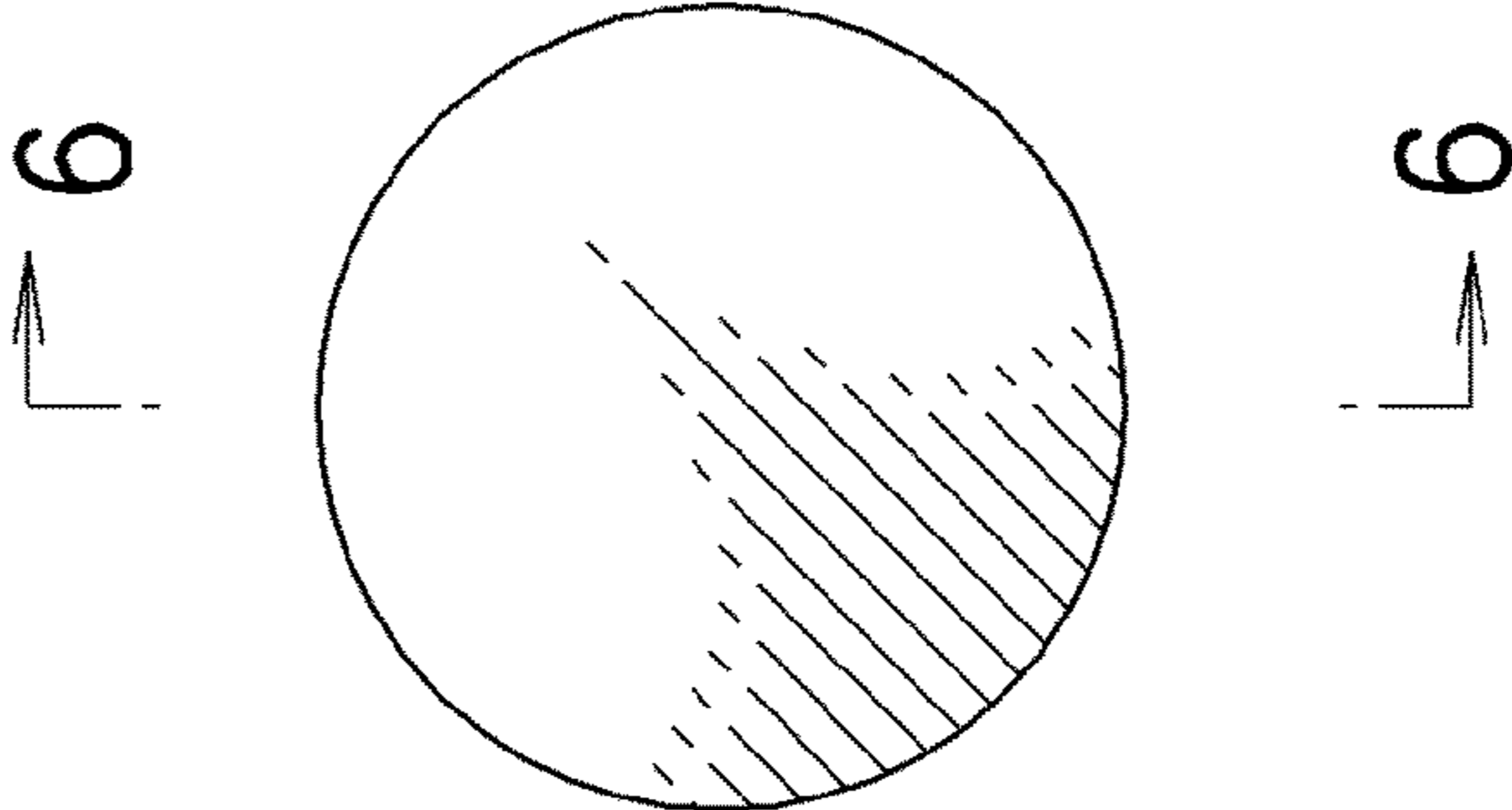
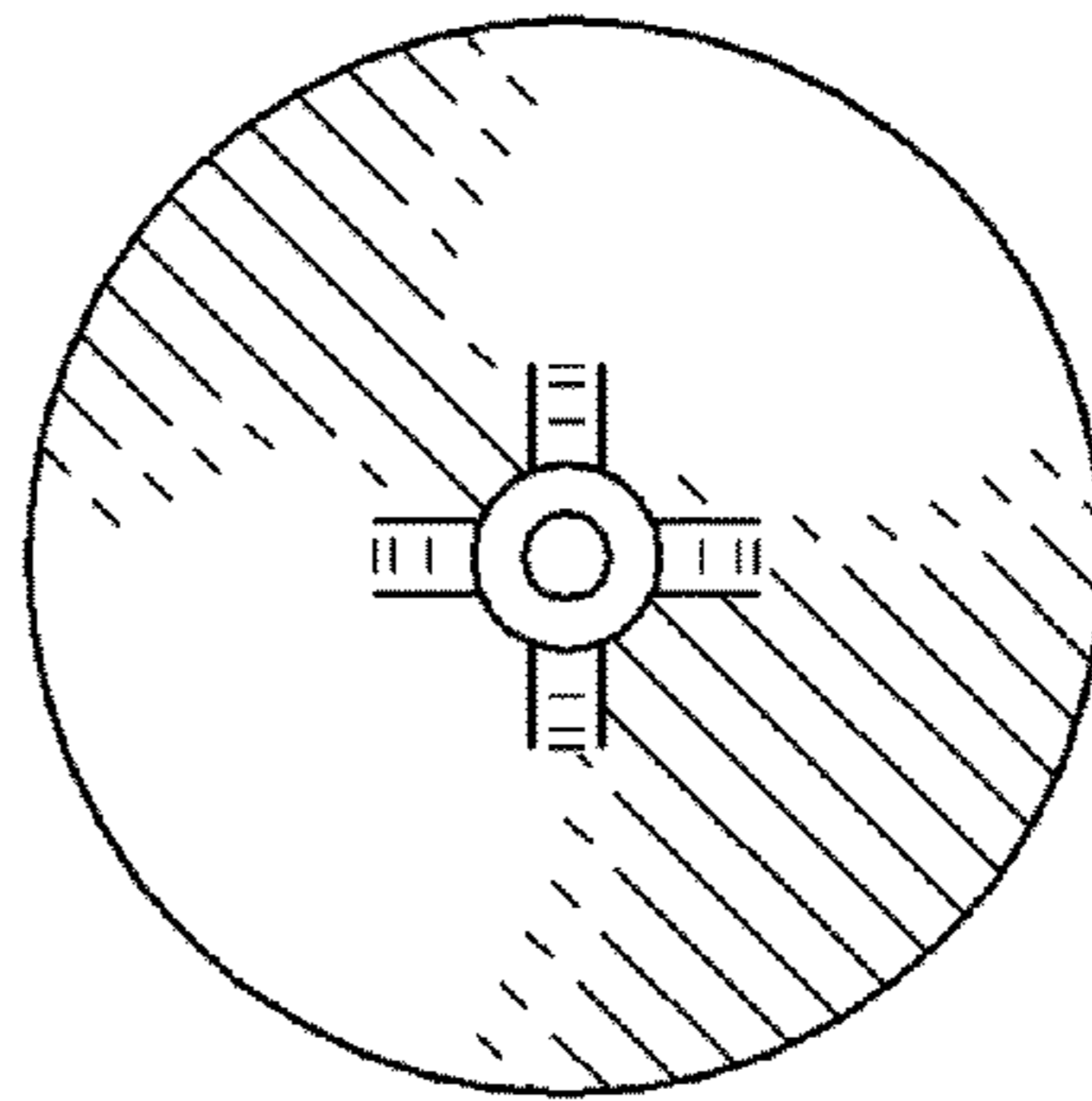


FIG. 3



**FIG. 4**



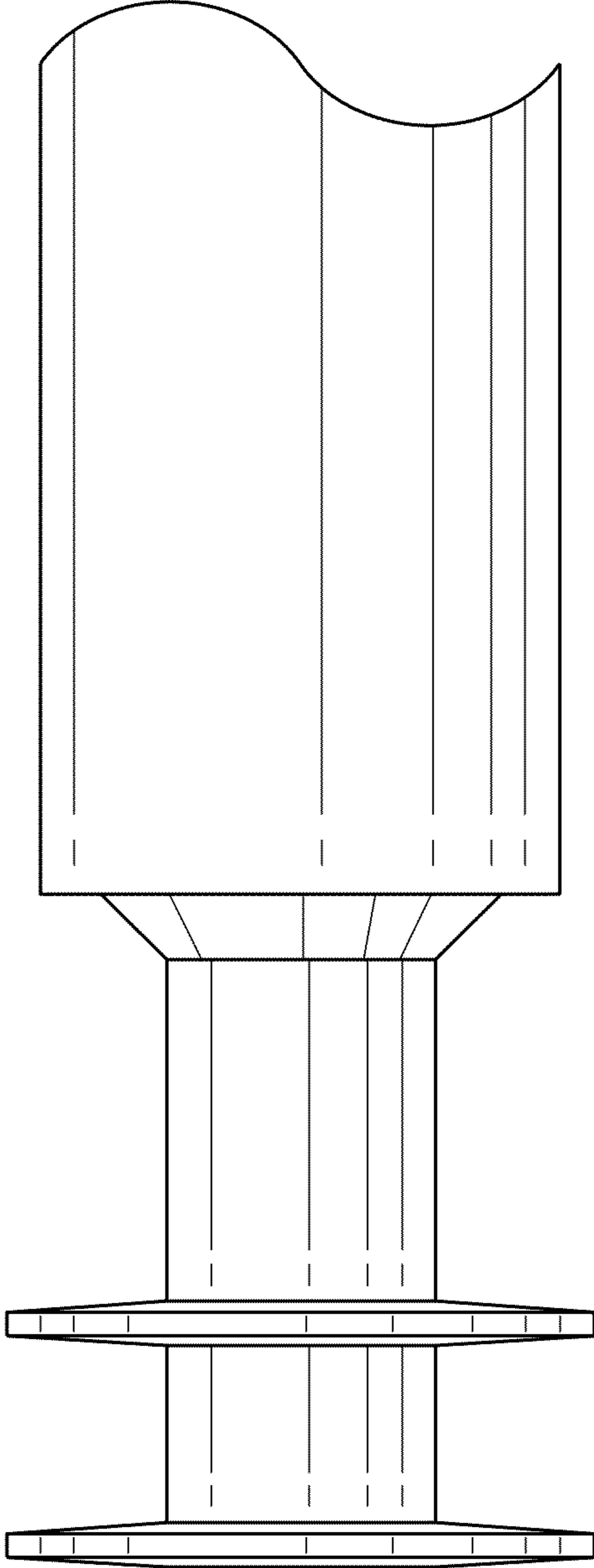
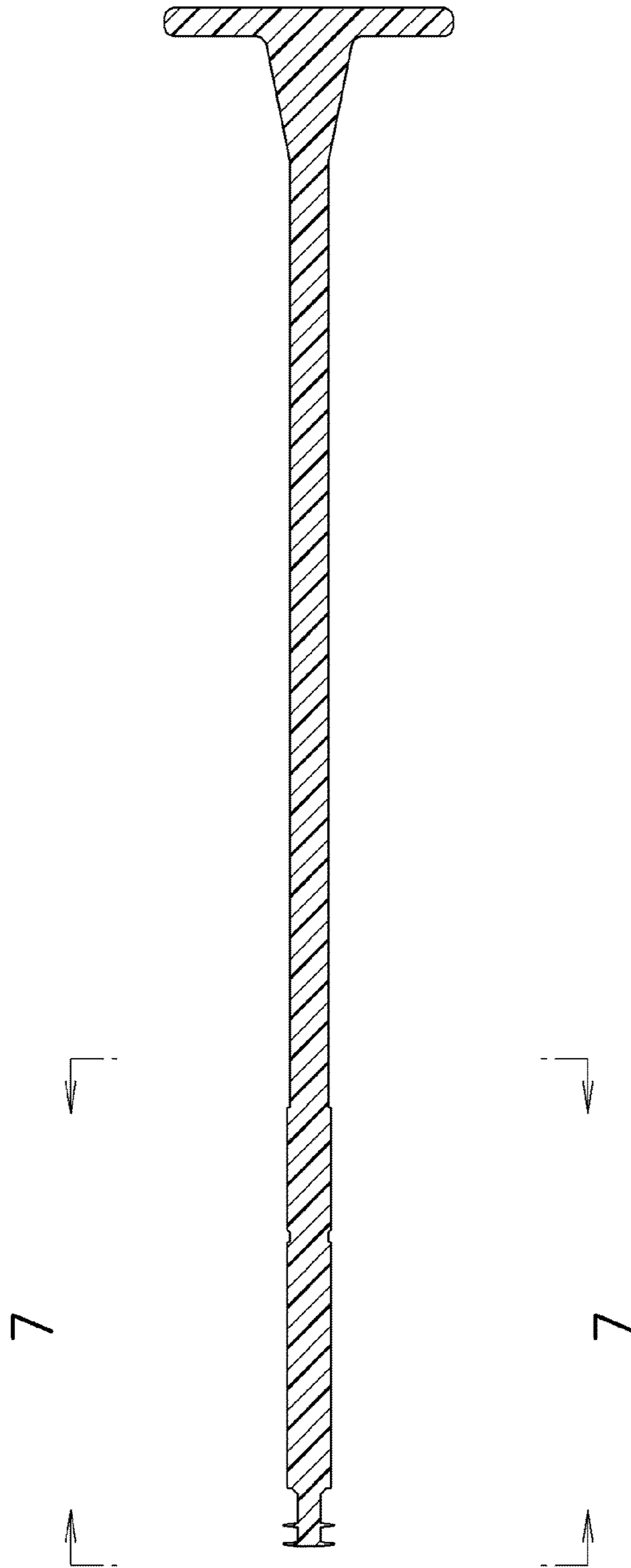


FIG. 5

FIG. 6



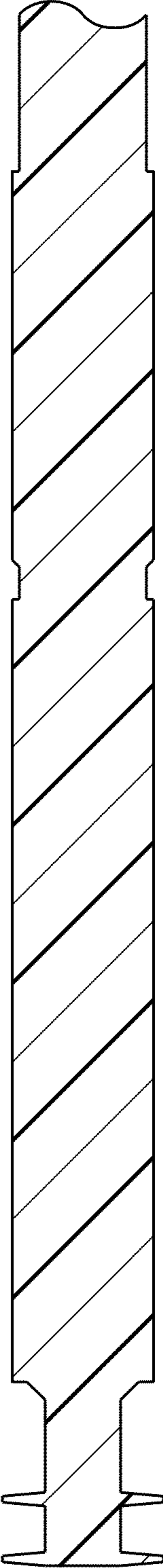


FIG. 7



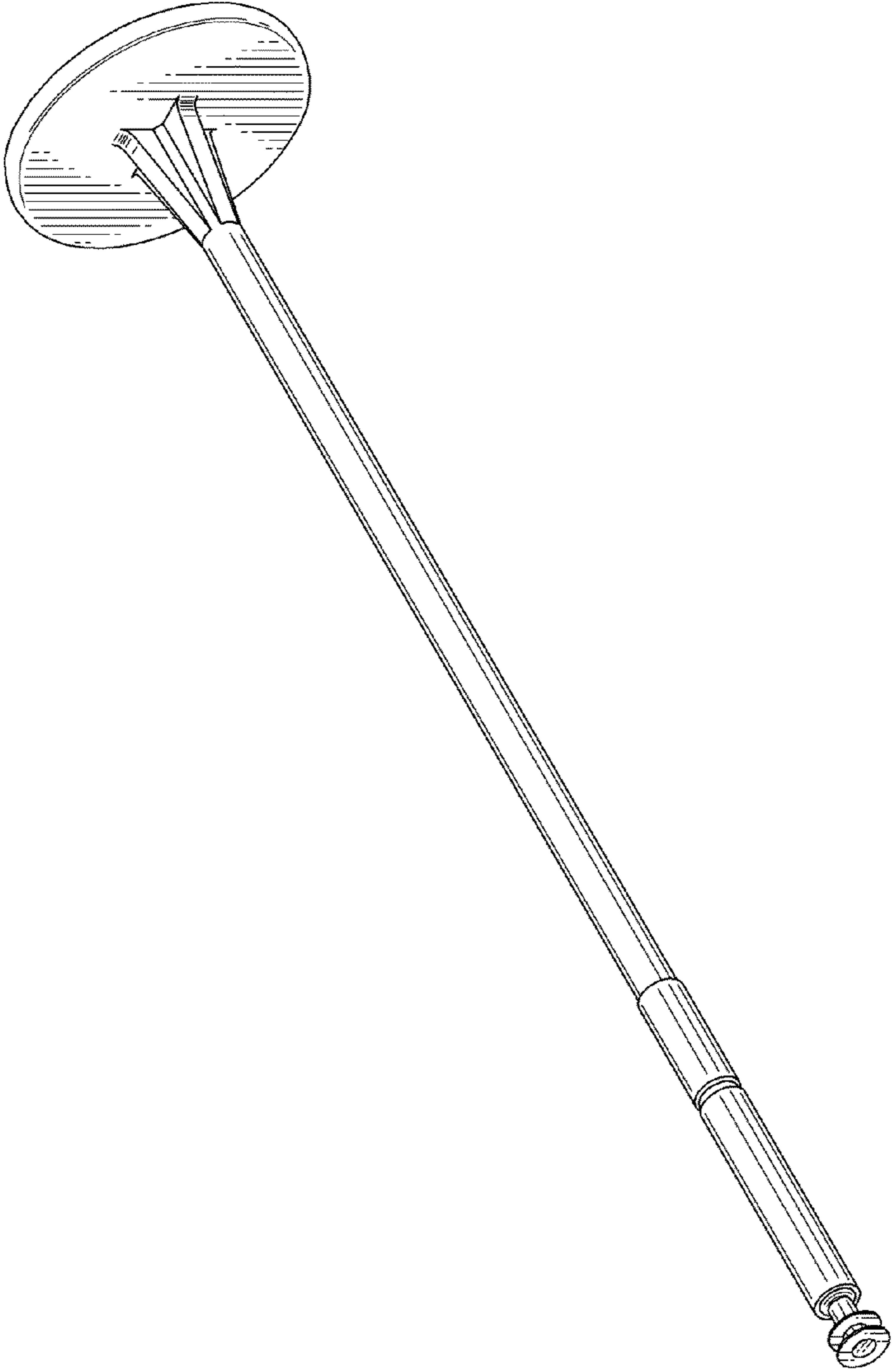


FIG. 8

FIG. 9

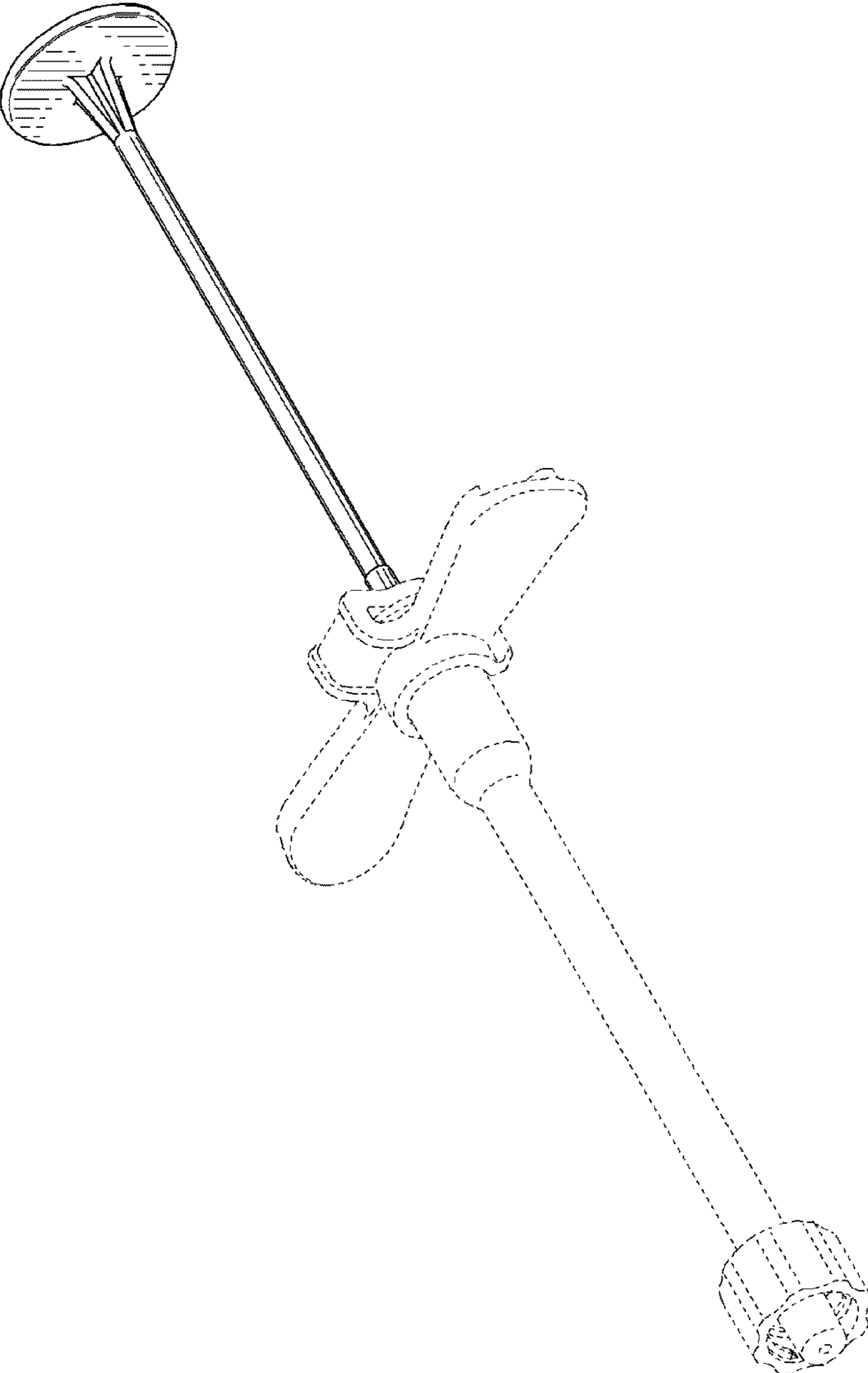


FIG. 10

