



US00D717425S

(12) **United States Design Patent**
Von Schuckmann

(10) **Patent No.:** **US D717,425 S**
(45) **Date of Patent:** **** Nov. 11, 2014**

(54) **INHALATOR**

DESCRIPTION

(71) Applicant: **Alfred Von Schuckmann**, Kevelaer (DE)
(72) Inventor: **Alfred Von Schuckmann**, Kevelaer (DE)
(**) Term: **14 Years**
(21) Appl. No.: **29/435,346**
(22) Filed: **Oct. 23, 2012**
(30) **Foreign Application Priority Data**
Apr. 23, 2012 (EM) 001323307
(51) **LOC (10) Cl.** **29-02**
(52) **U.S. Cl.**
USPC **D24/110**
(58) **Field of Classification Search**
USPC D24/110, 110.5; D9/420; D23/366;
128/200.14, 200.21, 200.23, 203.15,
128/203.21, 203.23
See application file for complete search history.

(56) **References Cited**
U.S. PATENT DOCUMENTS
D322,752 S * 12/1991 Zintzmeyer D9/694
D518,569 S * 4/2006 Nishibayashi et al. D24/110
D527,816 S * 9/2006 Nishibayashi et al. D24/110
(Continued)

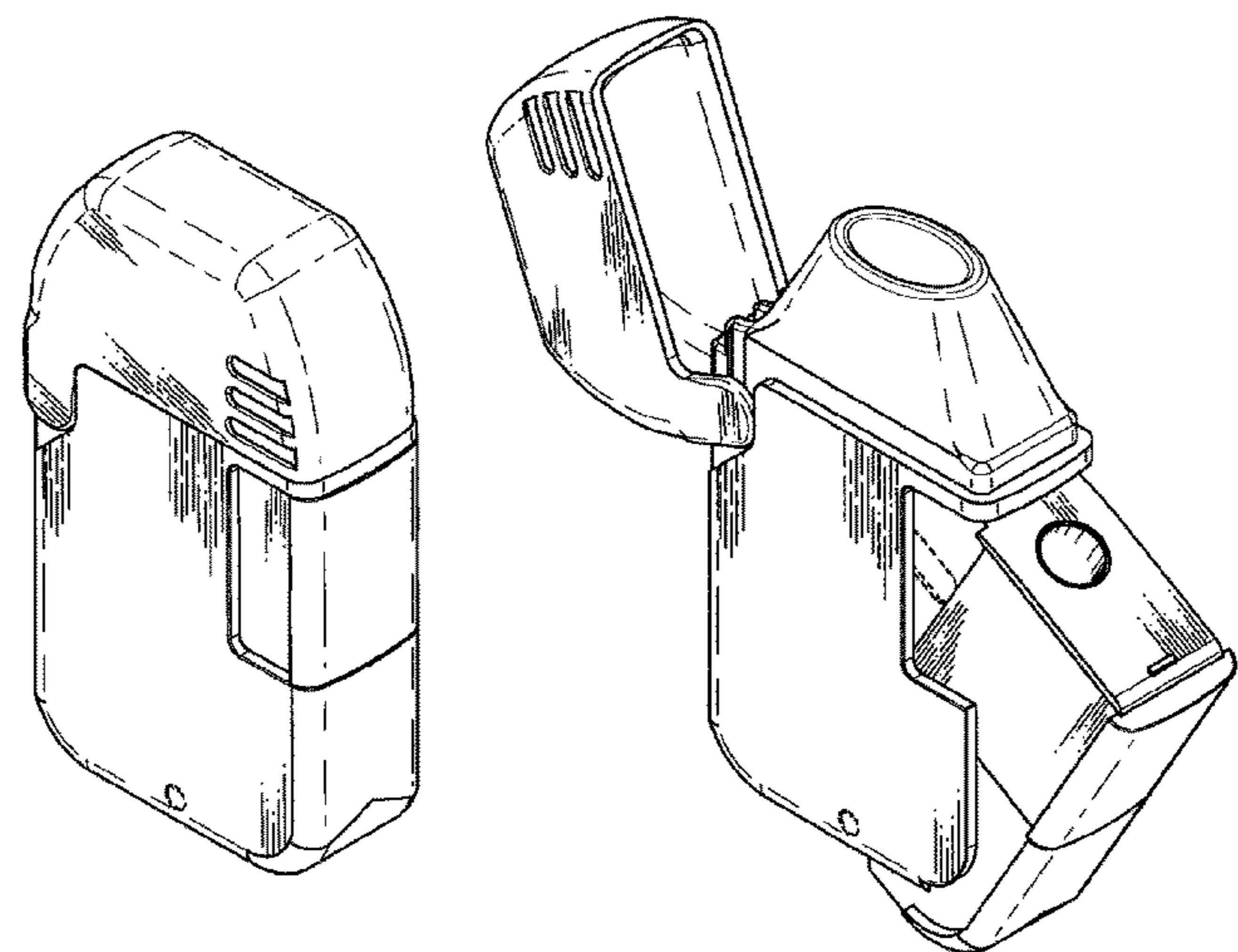
FOREIGN PATENT DOCUMENTS
DE 10258360 A1 6/2004
DE 102010016549 A1 10/2011

Primary Examiner — Ian Simmons
Assistant Examiner — Richelle G Shelton
(74) *Attorney, Agent, or Firm* — St. Onge Steward Johnston & Reens LLC

(57) **CLAIM**
The ornamental design for an inhalator, as shown and described.

FIG. 1 is a top left side isometric view of an inhalator in accordance with the new design, showing a front part of the inhalator in an opened position;
FIG. 2 is a left side elevation view thereof;
FIG. 3 is a front elevation view thereof;
FIG. 4 is a right side elevation view thereof;
FIG. 5 is a rear elevation view thereof;
FIG. 6 is a top plan view thereof; and
FIG. 7 is a bottom plan view thereof.
FIG. 8 is a top left side isometric view of the inhalator of FIG. 1, shown in a fully closed position;
FIG. 9 is a left side elevation view thereof;
FIG. 10 is a front elevation view thereof;
FIG. 11 is a right side elevation view thereof;
FIG. 12 is a rear elevation view thereof;
FIG. 13 is a top plan view thereof; and
FIG. 14 is a bottom plan view thereof.
FIG. 15 is a top left side isometric view of the inhalator of FIG. 1, showing a top portion in an opened position;
FIG. 16 is a left side elevation view thereof;
FIG. 17 is a front elevation view thereof;
FIG. 18 is a right side elevation view thereof;
FIG. 19 is a rear elevation view thereof;
FIG. 20 is a top plan view thereof; and
FIG. 21 is a bottom plan view thereof.
FIG. 22 is a top left side isometric view of the inhalator in of FIG. 1, showing the top and front portions in the opened position;
FIG. 23 is a left side elevation view thereof;
FIG. 24 is a front elevation view thereof;
FIG. 25 is a right side elevation view thereof;
FIG. 26 is a rear elevation view thereof;
FIG. 27 is a top plan view thereof; and,
FIG. 28 is a bottom plan view thereof.
The broken line showing of portions of the article in FIGS. 1-4, 7-9, 11, 14-16, 18, 20-25, 27, and 28 is included for the purpose of illustrating structural environment and forms no part of the claimed design.

1 Claim, 28 Drawing Sheets



(56)

References Cited

U.S. PATENT DOCUMENTS

			D606,854 S *	12/2009	Greenhalgh	D9/420	
			D613,397 S *	4/2010	Nakao et al.	D24/110	
			2009/0205656 A1 *	8/2009	Nishibayashi et al. ..	128/203.15	
	7,284,553 B2	10/2007	Hochrainer				
	D558,051 S *	12/2007	Born et al.	D9/529			* cited by examiner

Fig. 1

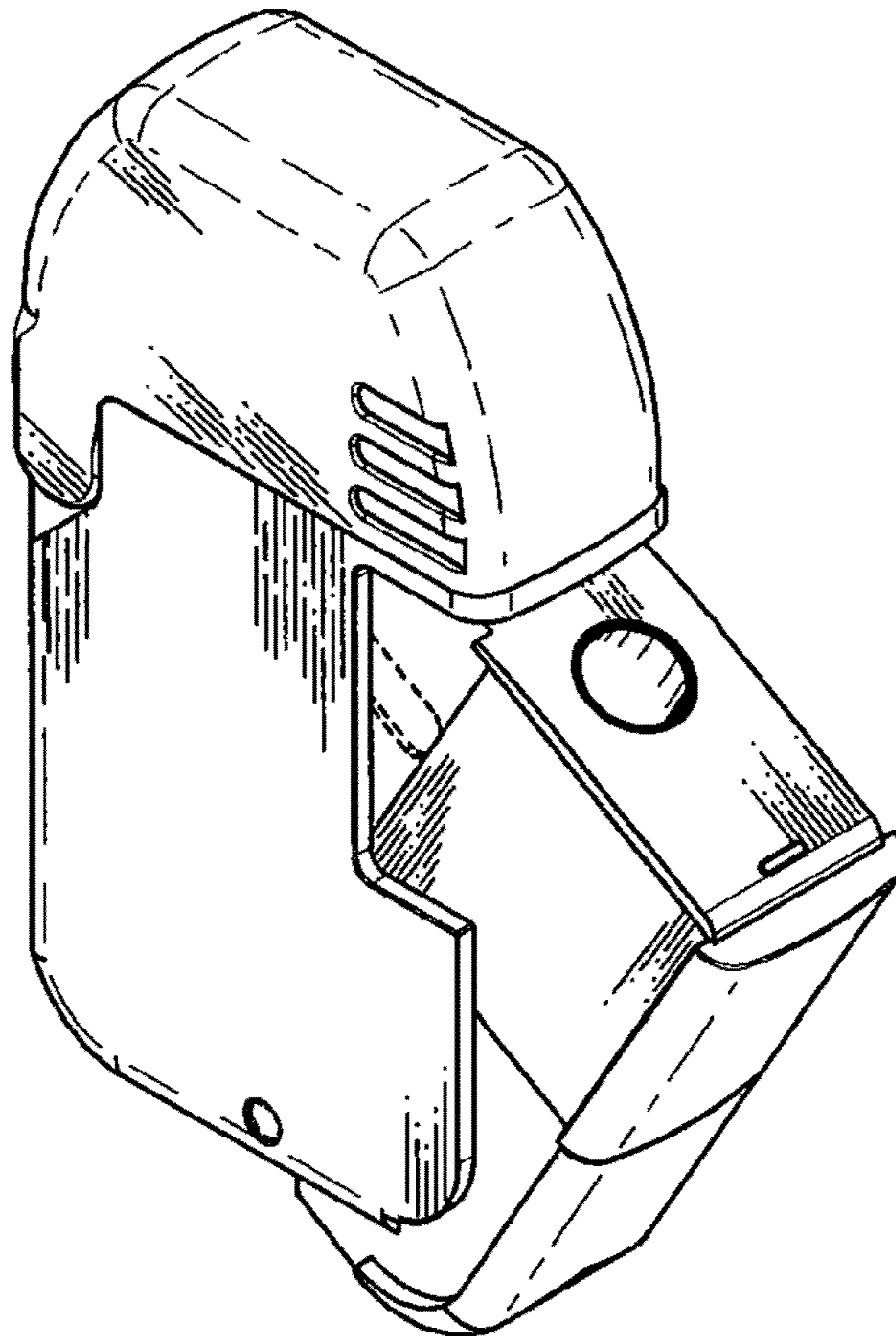


Fig. 2

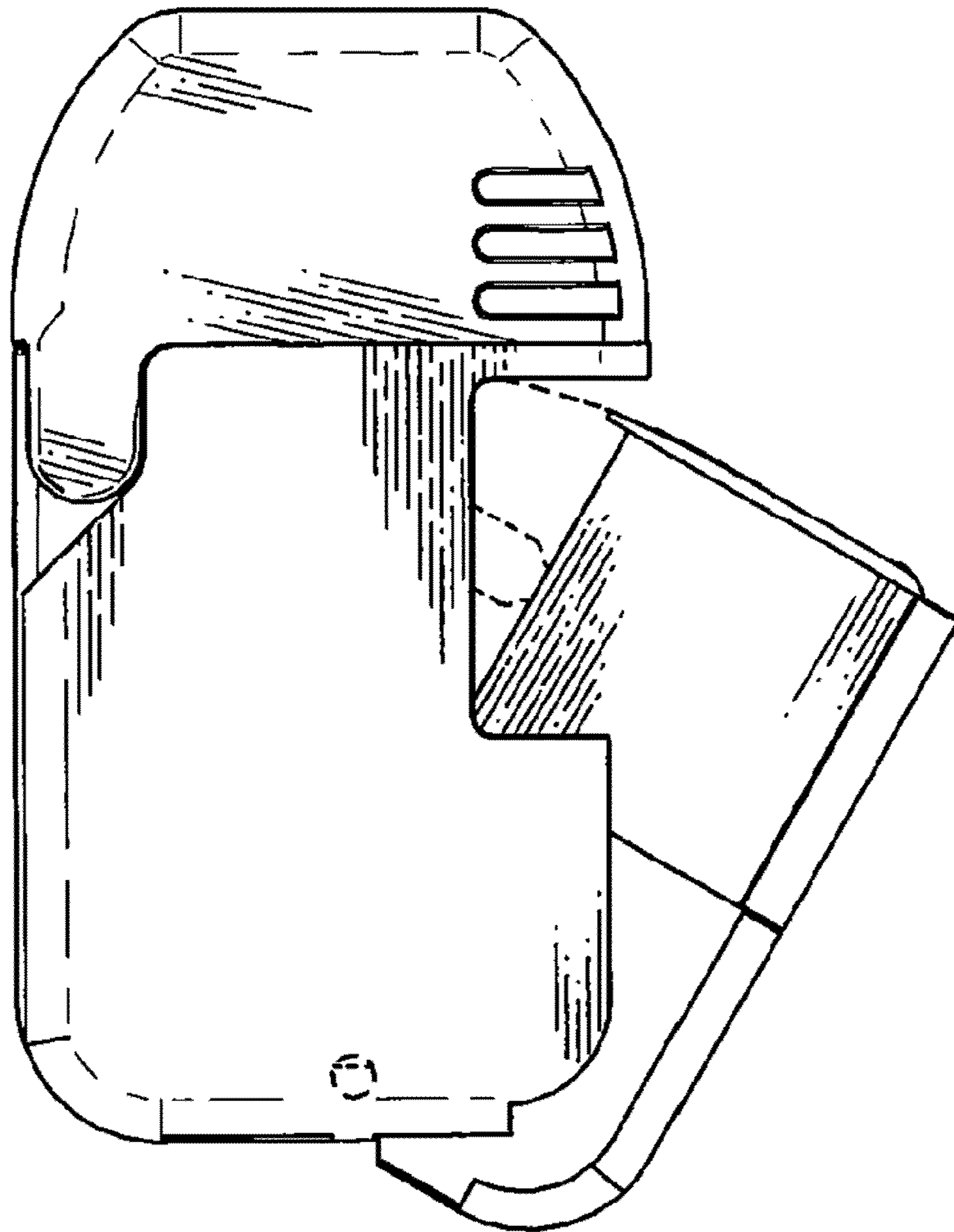


Fig. 3

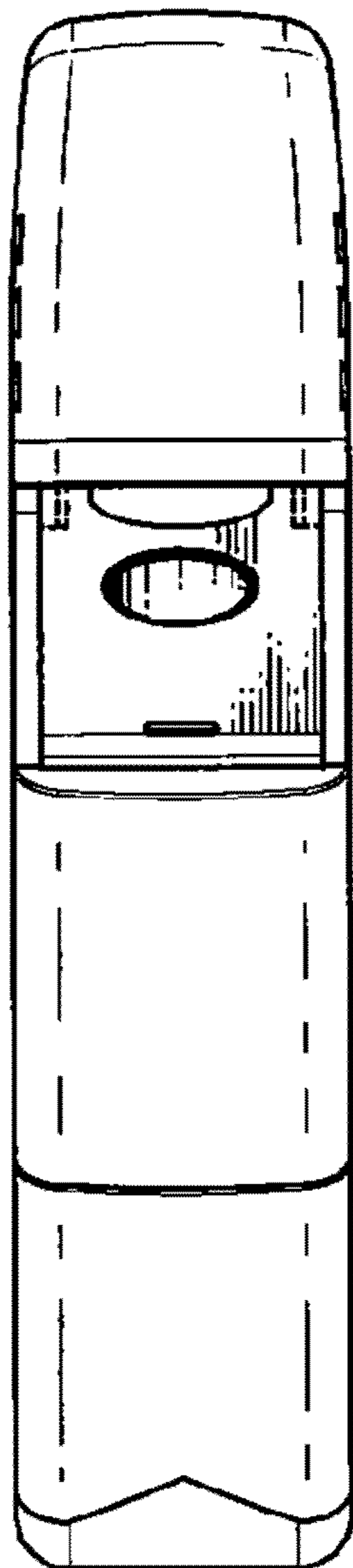


Fig. 4

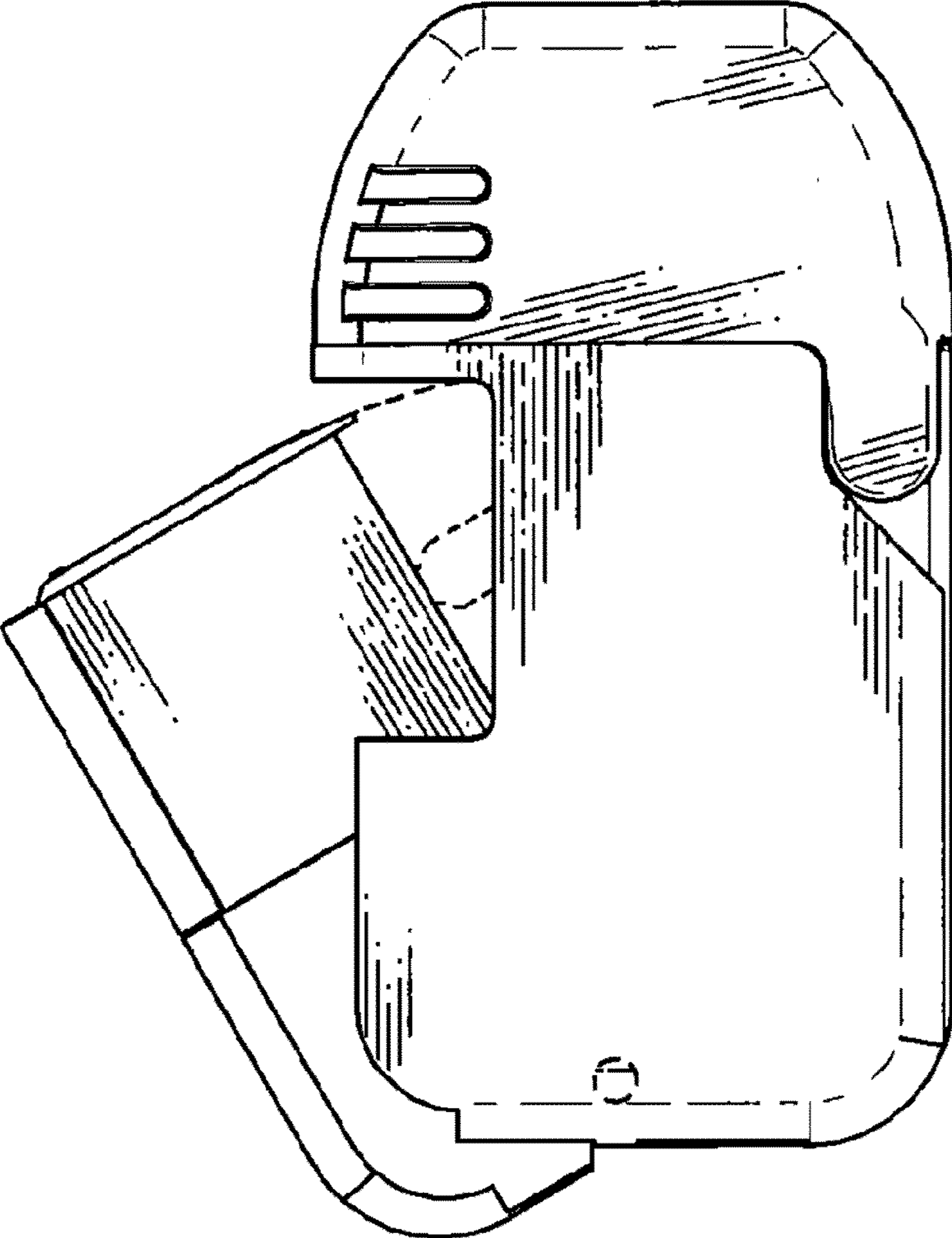


Fig. 5

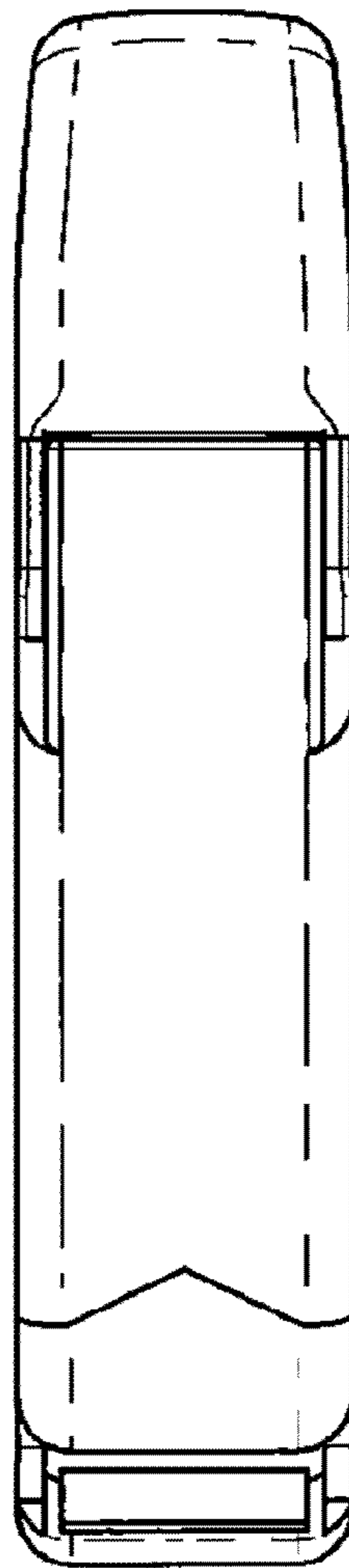


Fig. 6

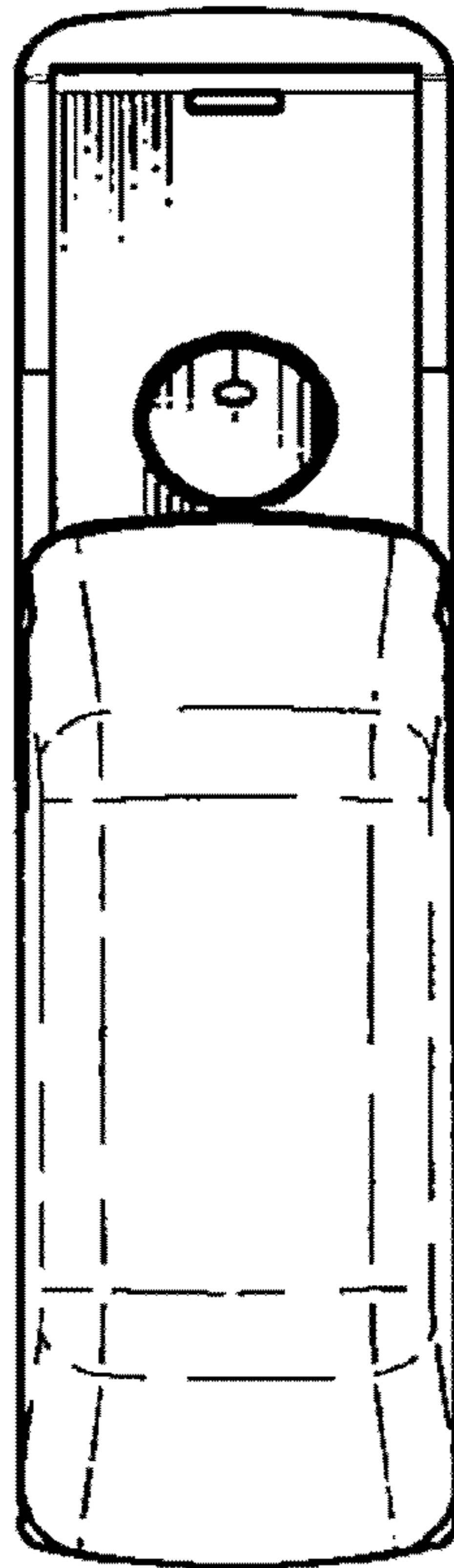


Fig. 7

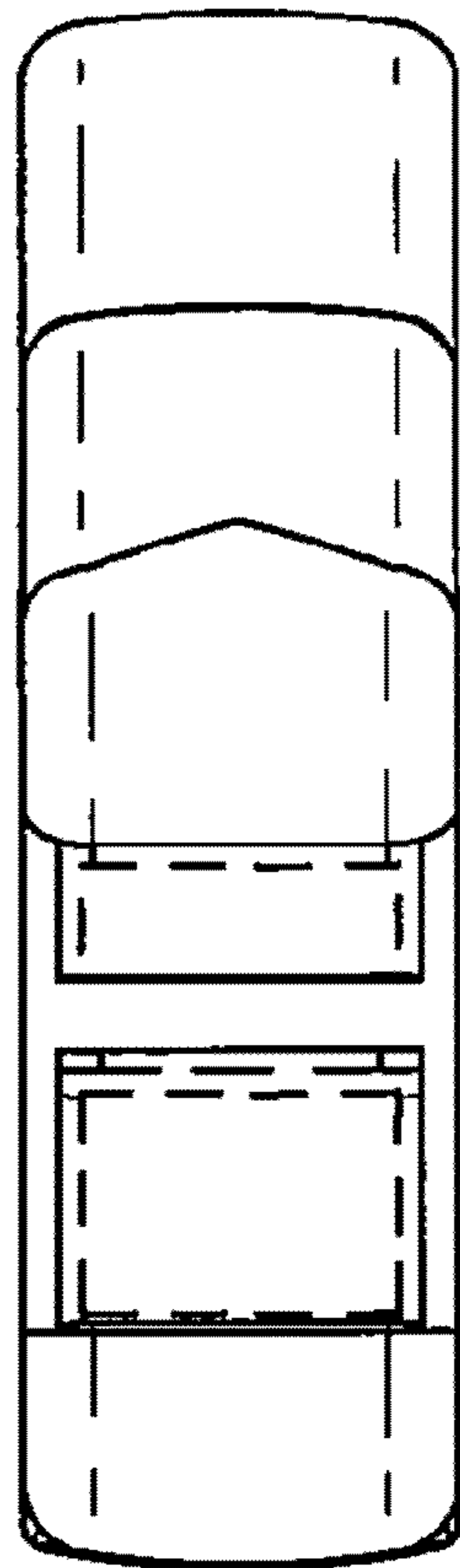


Fig. B

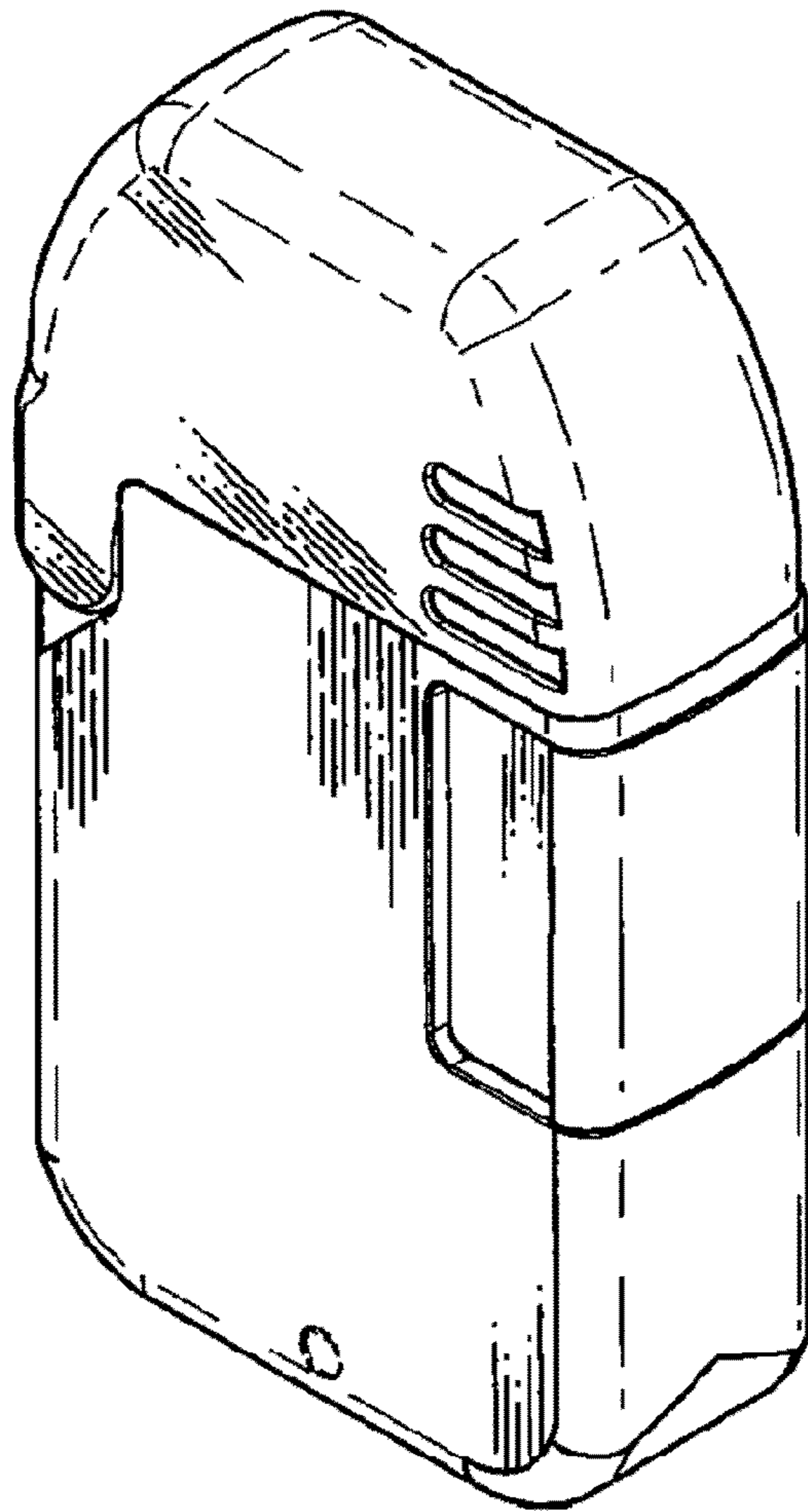


Fig. 9

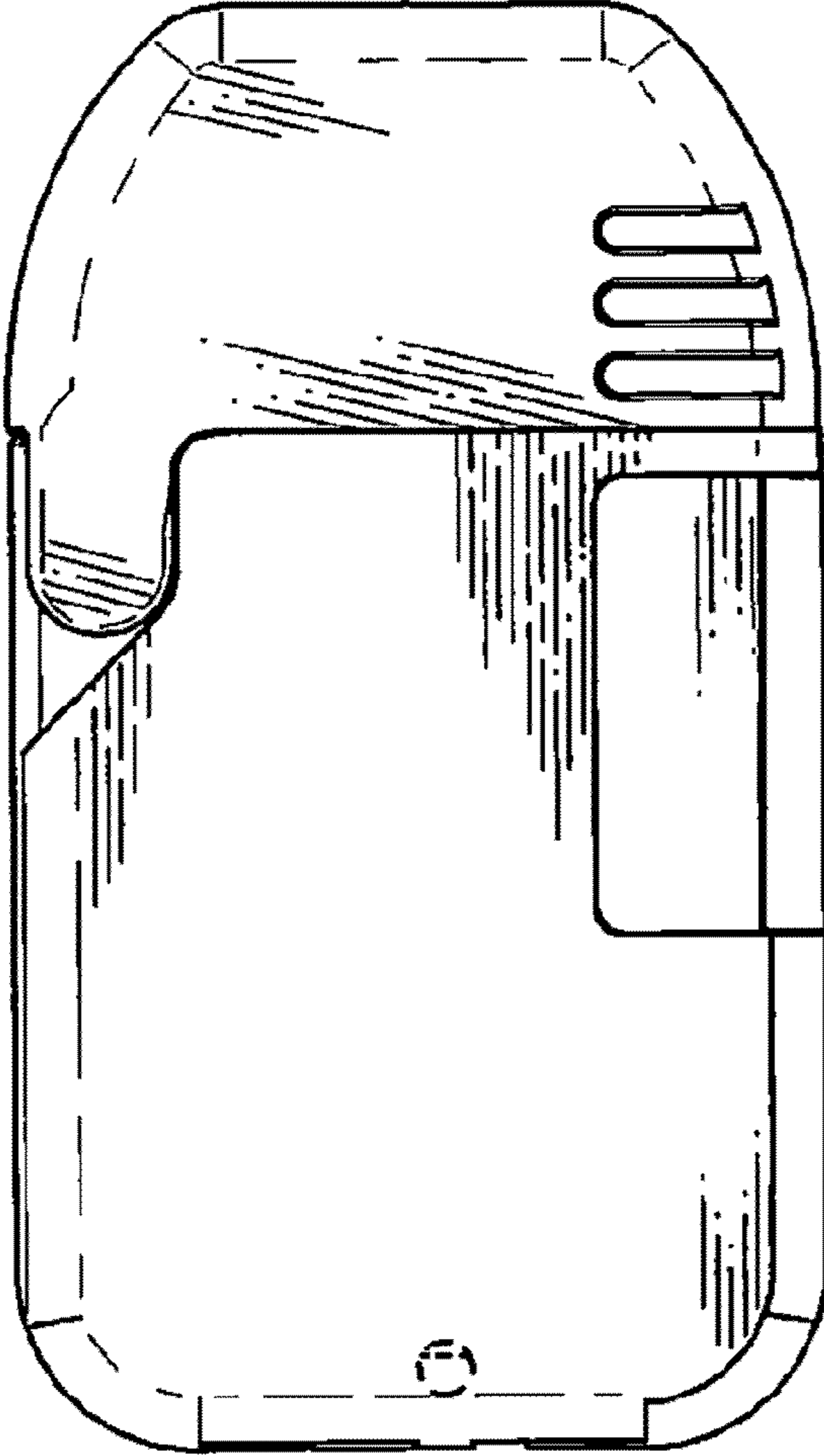


Fig. 10

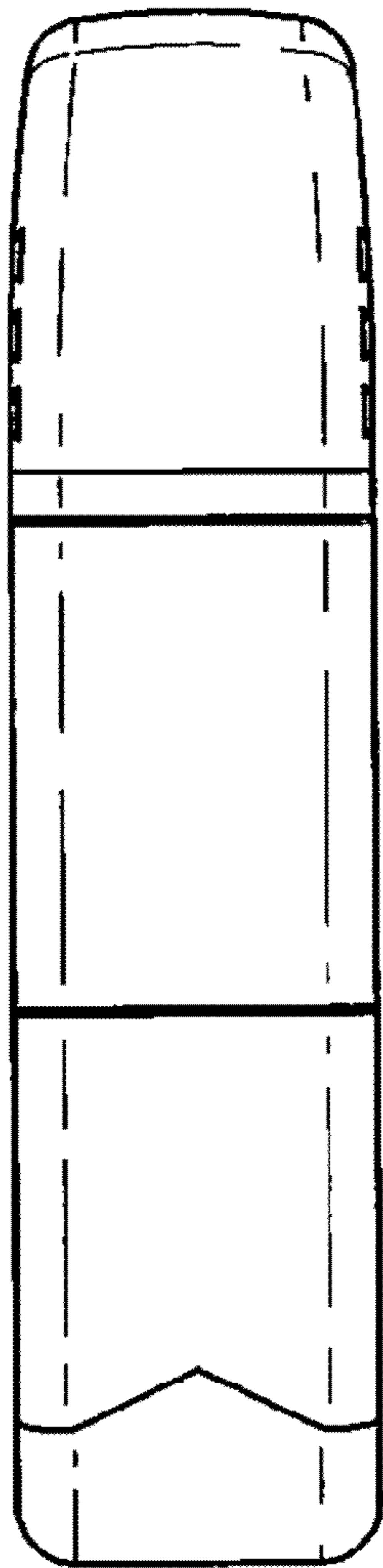


Fig. 11

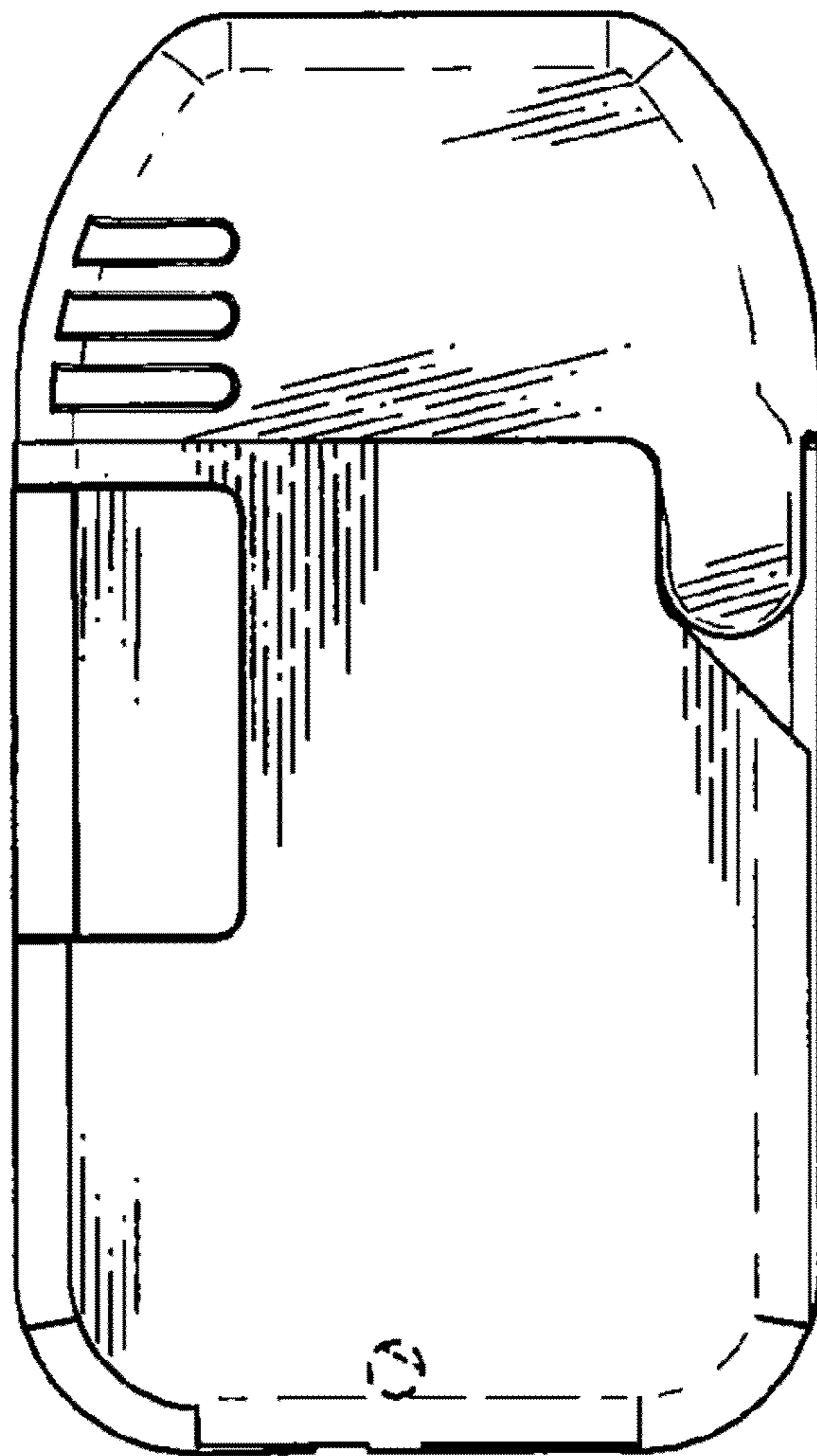


Fig. 12

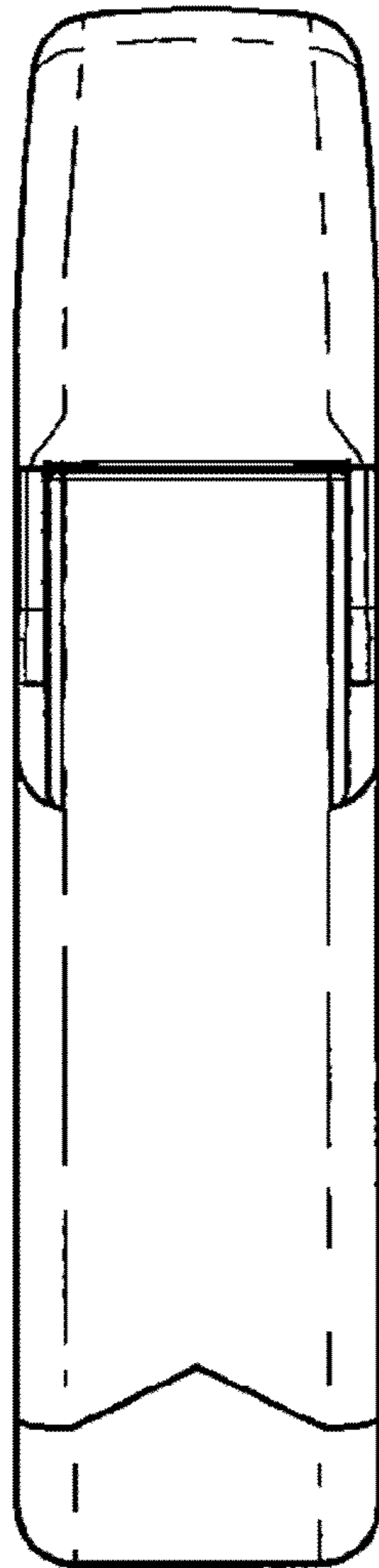


Fig. 13

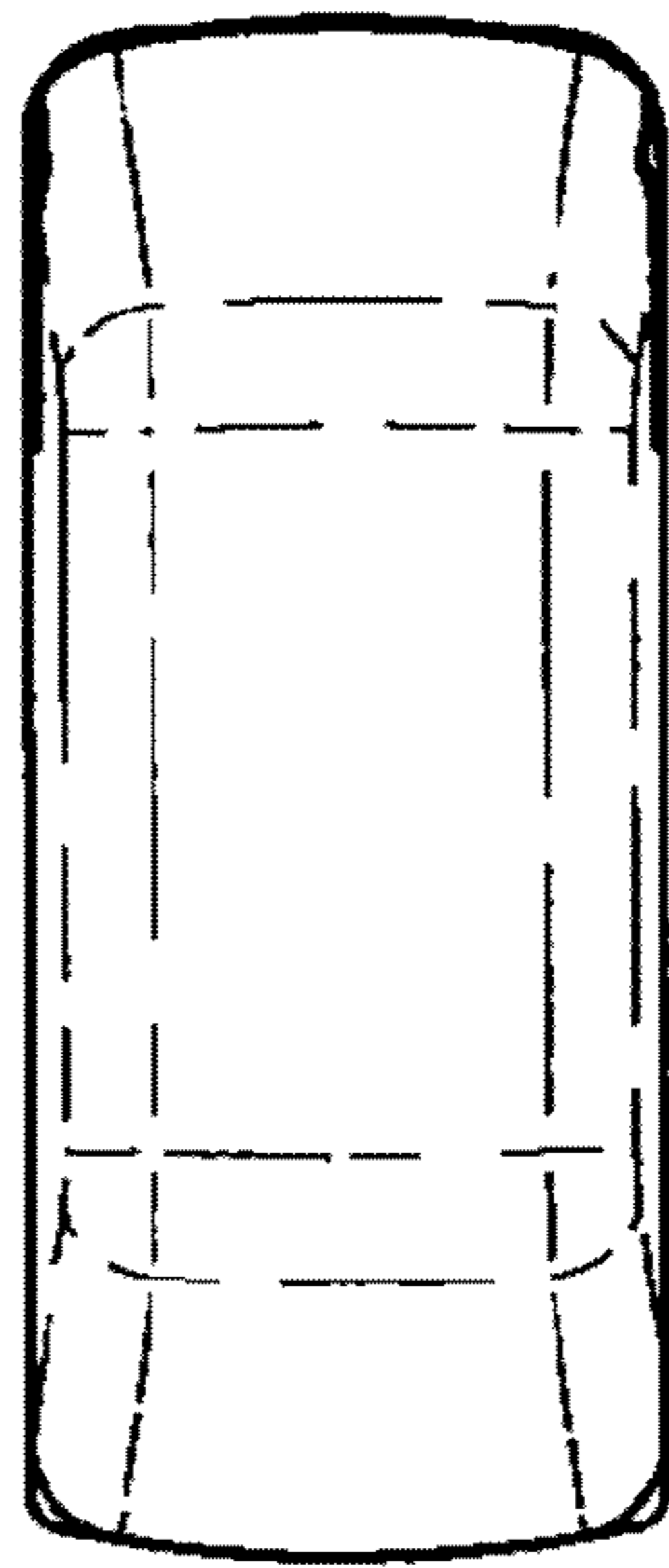


Fig. 14

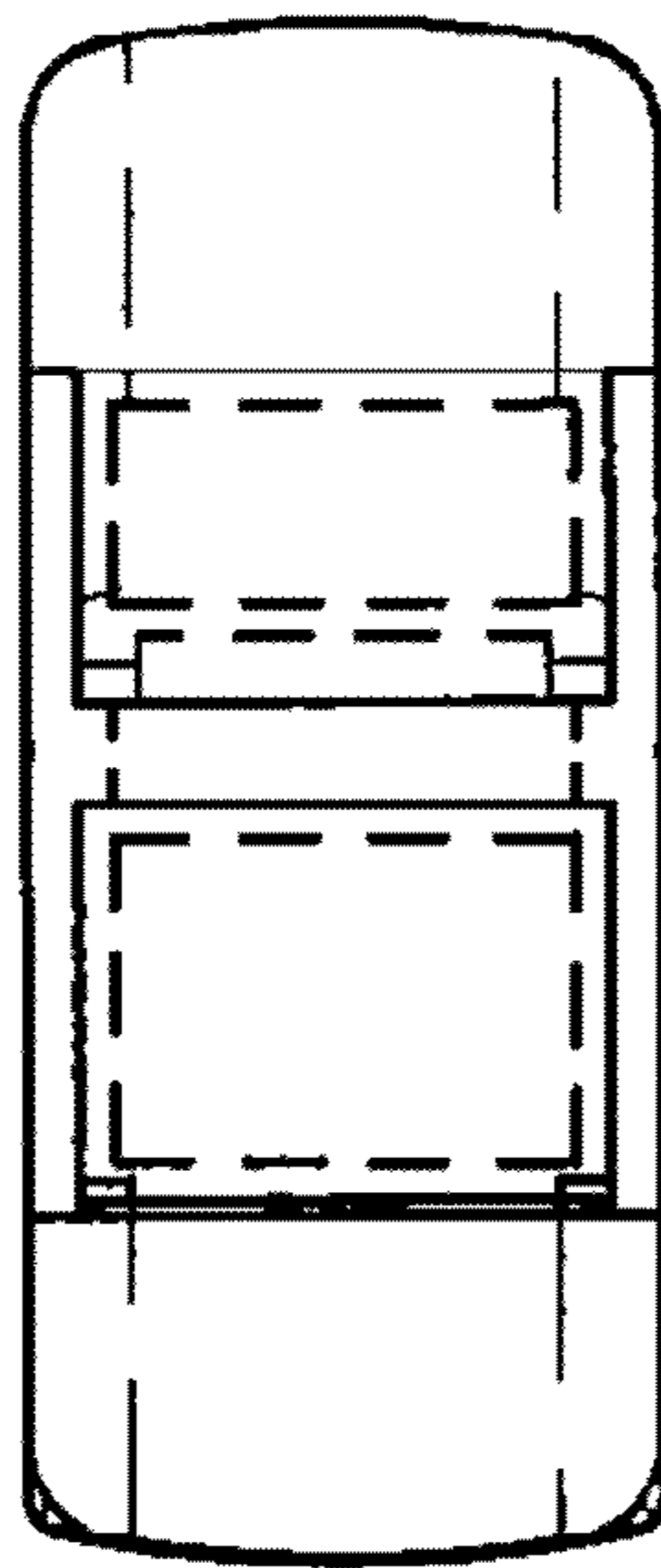


Fig. 15

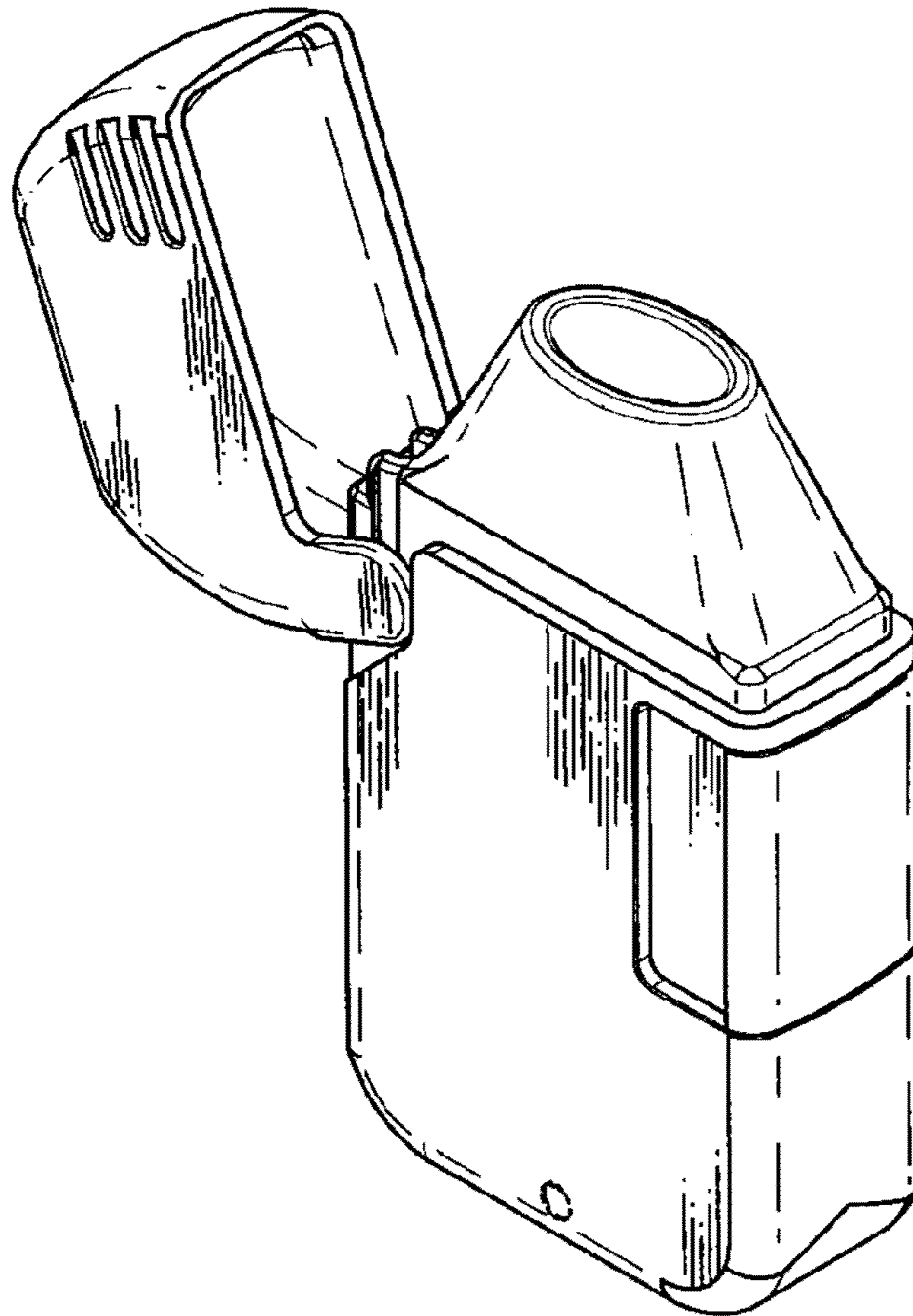


Fig. 16

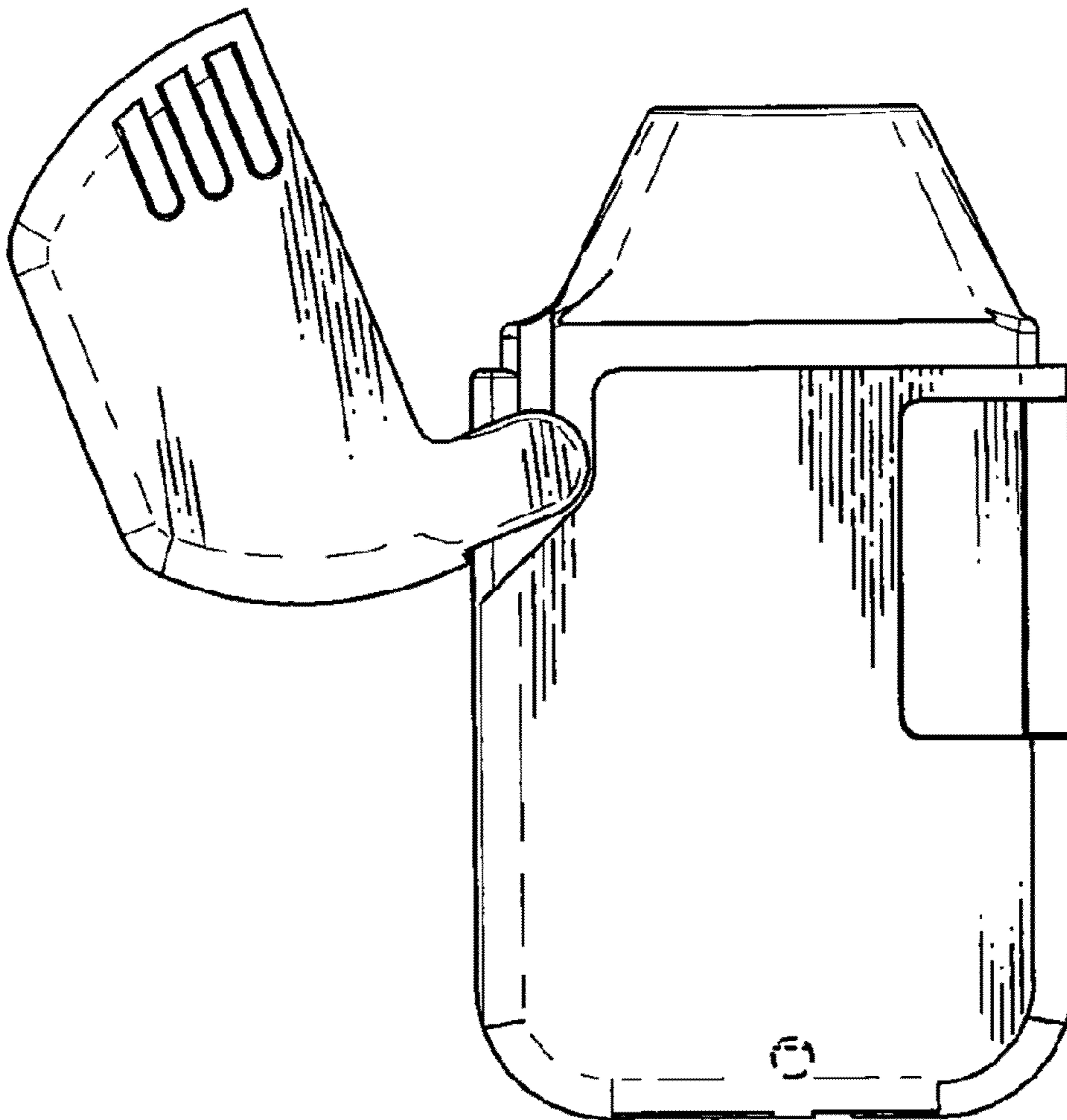


Fig. 17

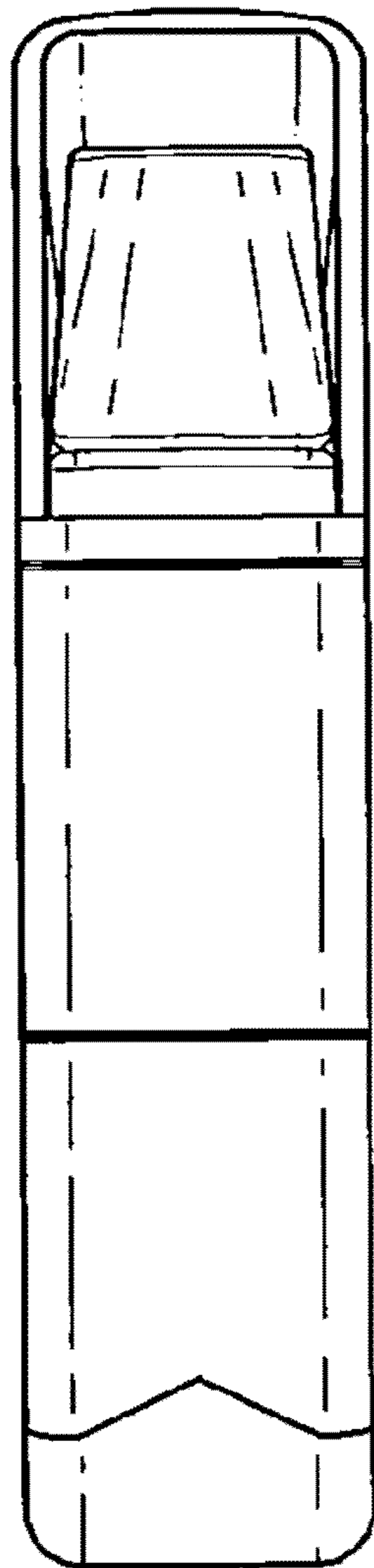


Fig. 18

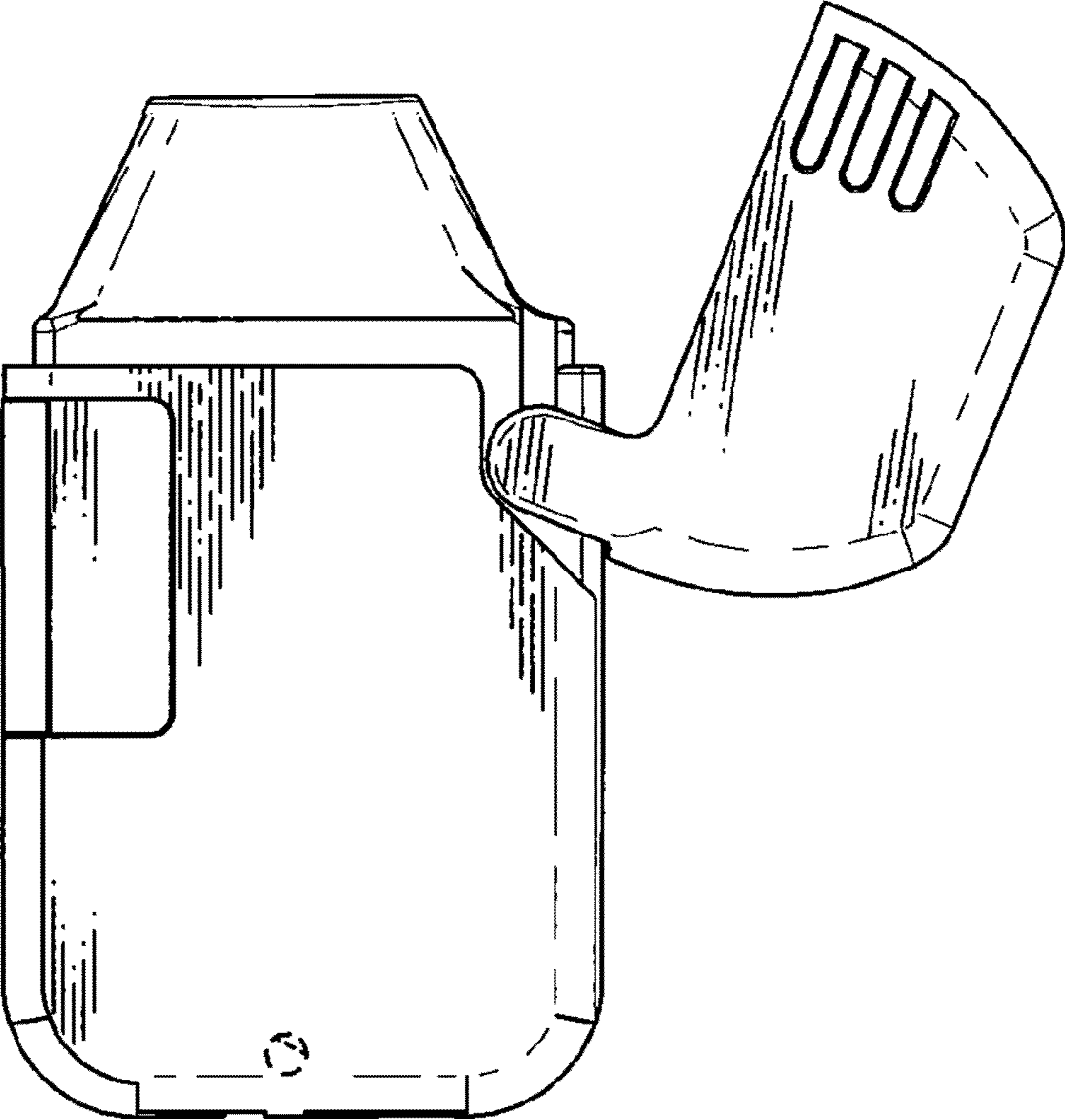


Fig. 19

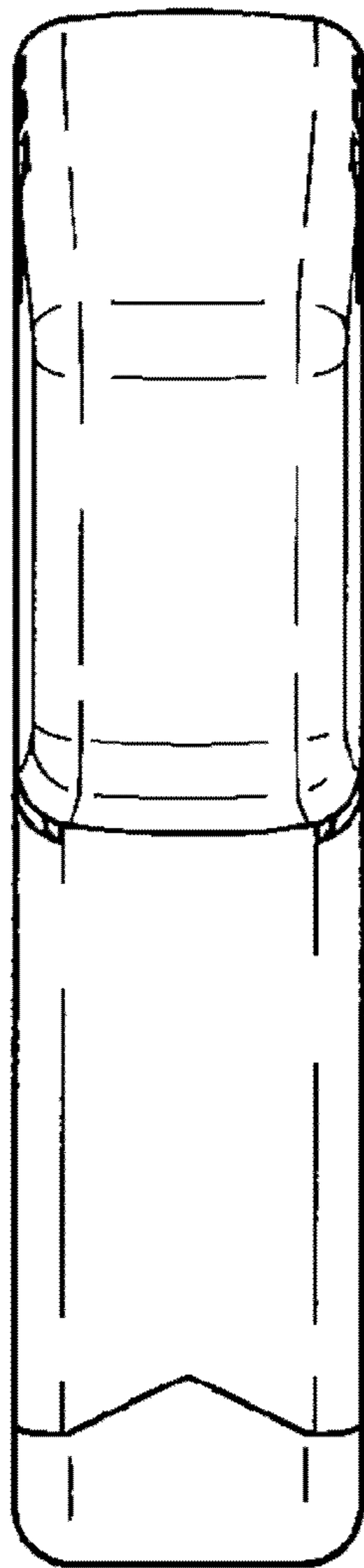


Fig. 20

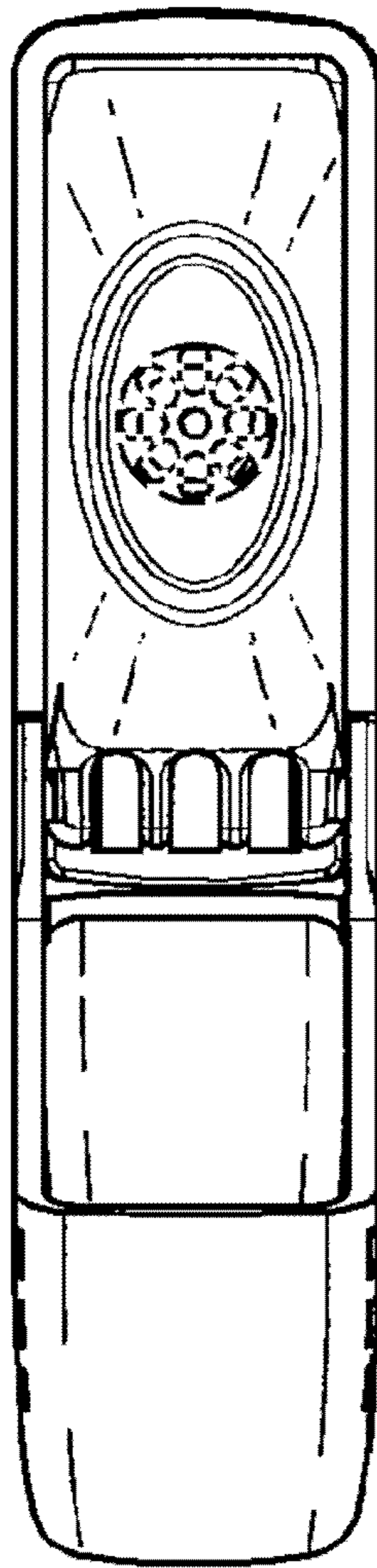


Fig. 21

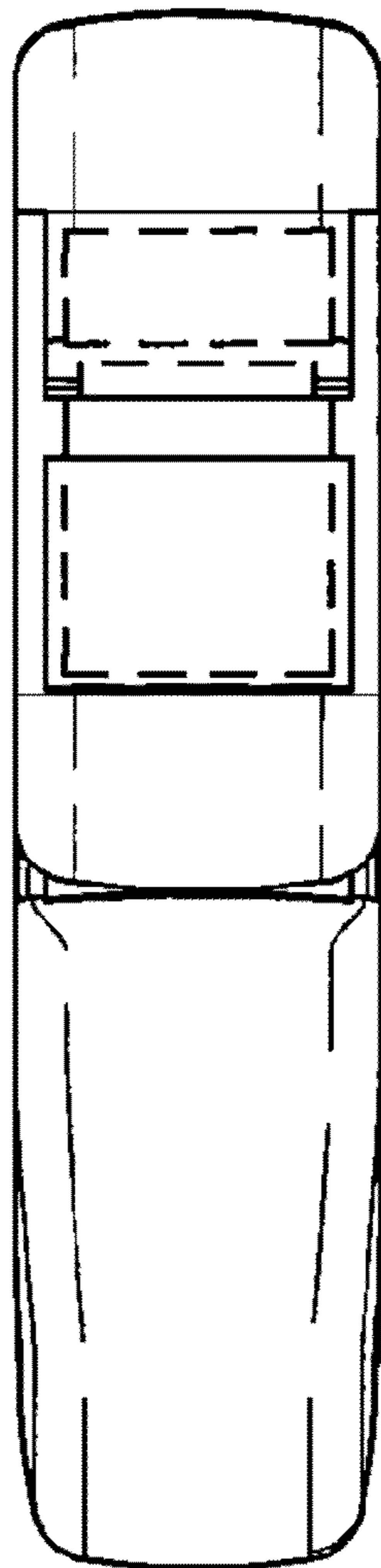


Fig. 22

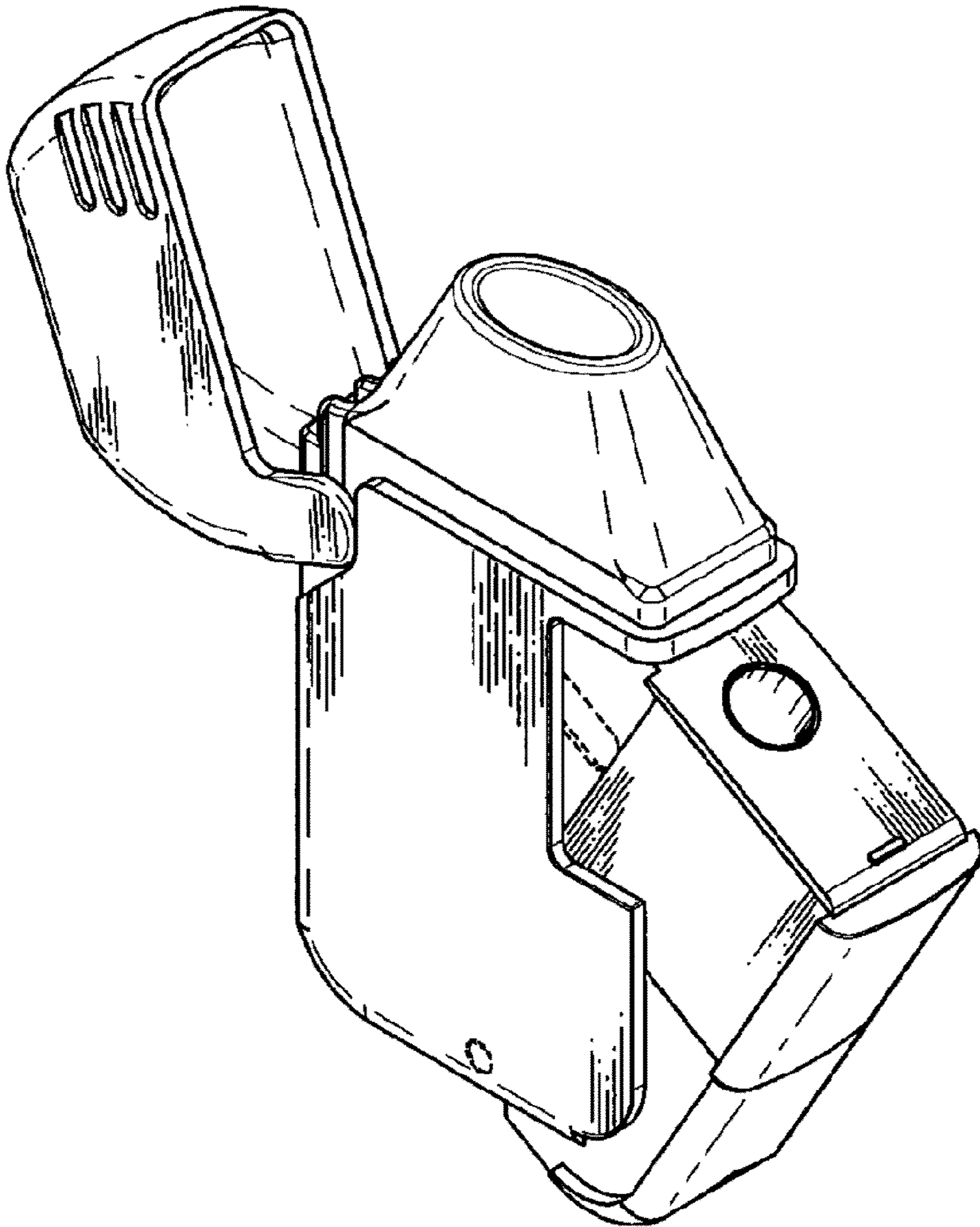


Fig. 23

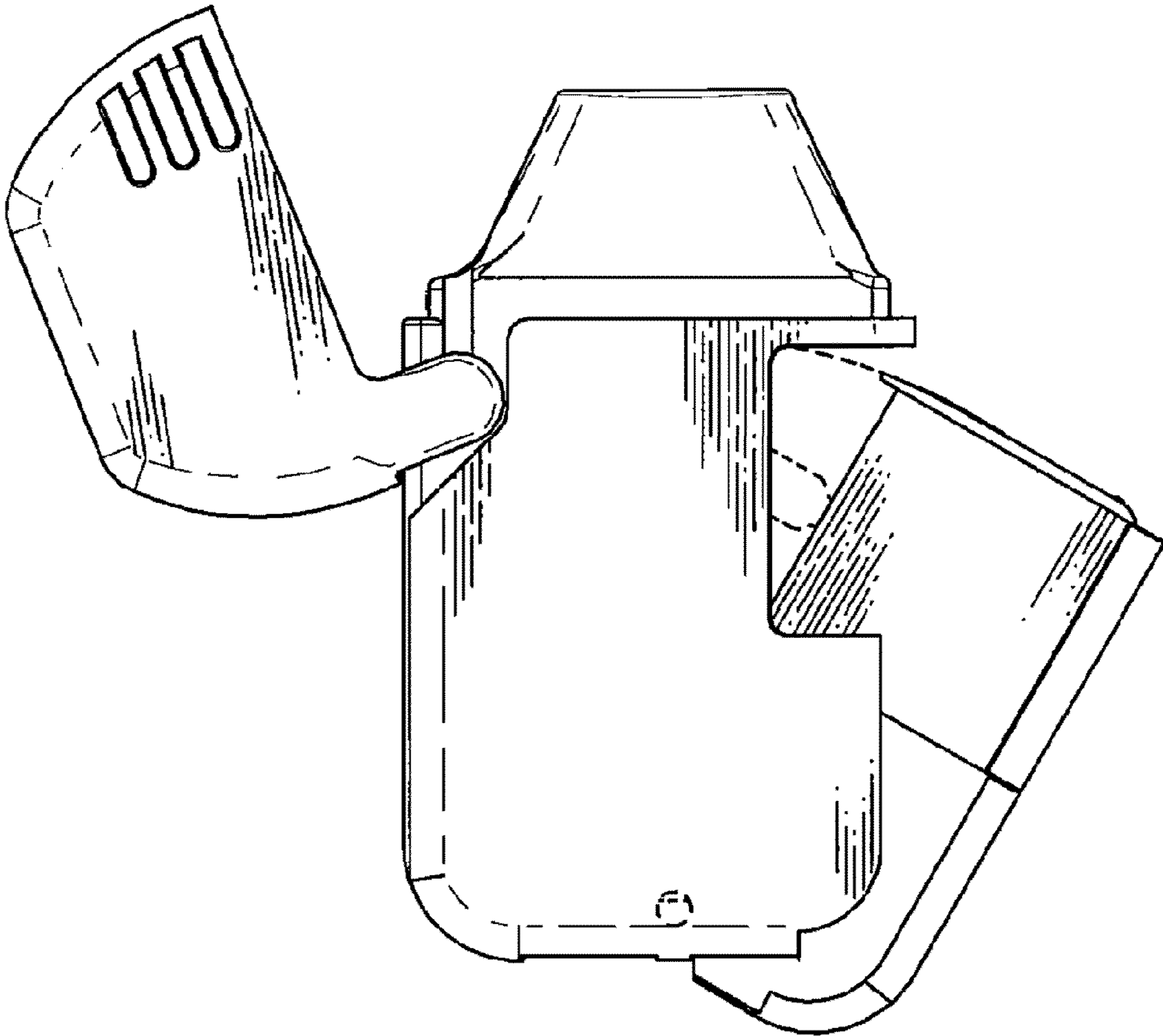


Fig. 24

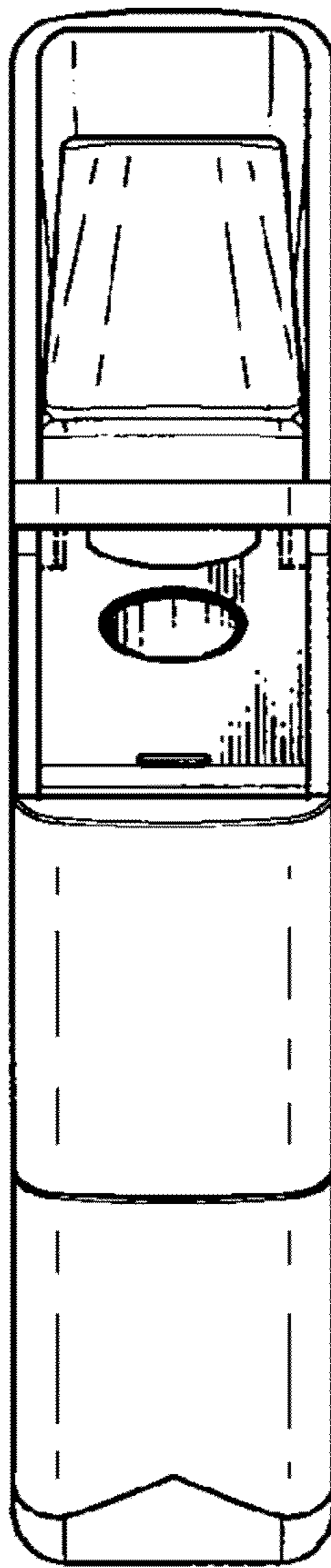


Fig. 25

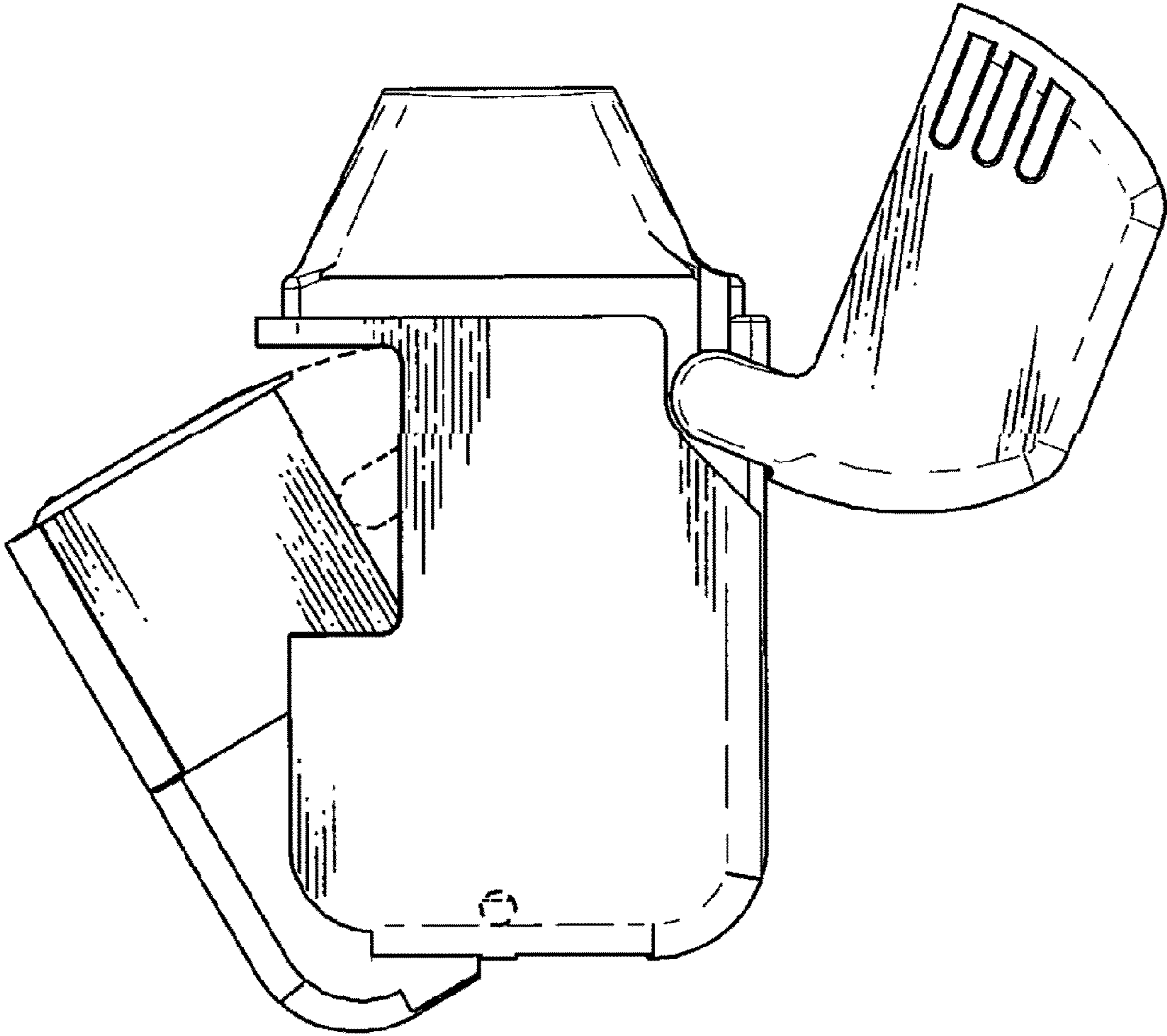


Fig. 26

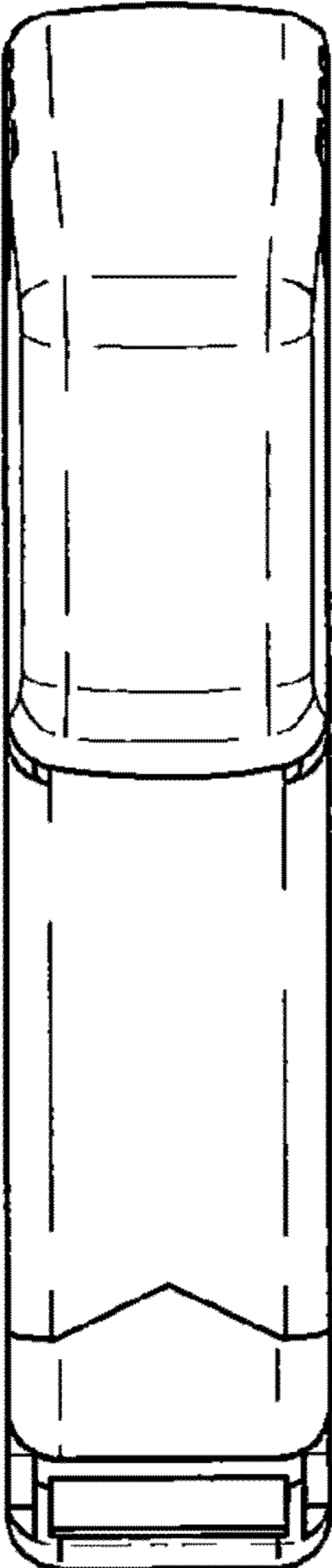


Fig. 27

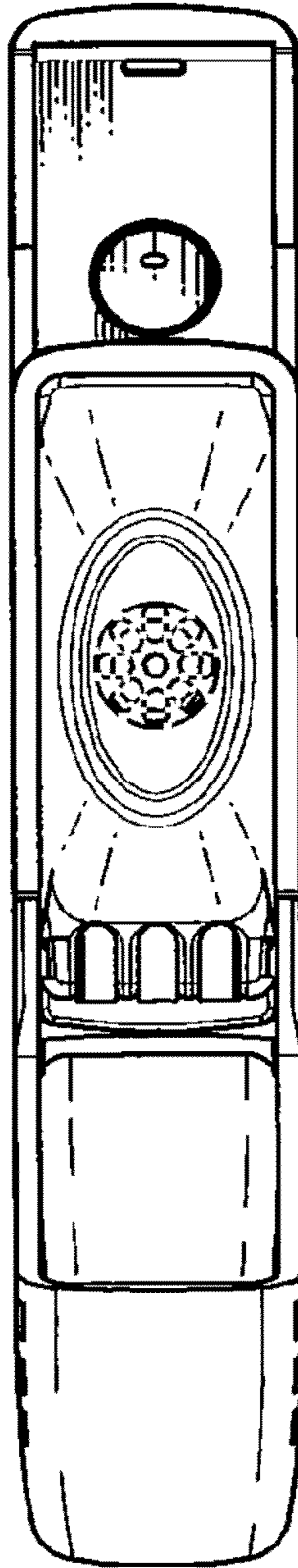


Fig. 28

