



US00D717424S

(12) **United States Design Patent**
Steelman et al.

(10) **Patent No.:** **US D717,424 S**

(45) **Date of Patent:** **** Nov. 11, 2014**

(54) **INHALATION SPACER**

(75) Inventors: **Peter Wayne Steelman**, Charlotte, NC (US); **James Edward Flynn**, New York, NY (US); **Karla Worley-Ham**, Matthews, NC (US); **John Zeis**, San Marcos, CA (US)

(73) Assignee: **FSC Laboratories, Inc.**, Charlotte, NC (US)

(**) Term: **14 Years**

(21) Appl. No.: **29/418,799**

(22) Filed: **Apr. 20, 2012**

(51) **LOC (10) Cl.** **29-02**

(52) **U.S. Cl.**
USPC **D24/110**

(58) **Field of Classification Search**
CPC A61M 15/0021; B65D 37/00
USPC D24/110; D7/509-511, 900;
128/203.12, 203.14, 203.23, 203.25,
128/203.26, 203.27; 215/229, 381, 389;
222/568; 220/703, 705, 708; D9/695
See application file for complete search history.

(56) **References Cited**

U.S. PATENT DOCUMENTS

4,470,412	A	9/1984	Nowacki et al.	
4,796,614	A	1/1989	Nowacki et al.	
4,809,692	A	3/1989	Nowacki et al.	
5,150,815	A *	9/1992	Saklad	220/708
5,203,323	A *	4/1993	Tritle	128/200.23
5,318,016	A	6/1994	Mecikalski	
D373,630	S *	9/1996	Berg et al.	D24/110
5,571,246	A	11/1996	Alldredge	
5,809,996	A	9/1998	Alldredge	
5,873,478	A *	2/1999	Sullivan et al.	215/389
6,463,929	B1	10/2002	Scheuch et al.	
6,595,206	B2	7/2003	Vito	
6,604,522	B2	8/2003	Arvidsson et al.	
7,107,987	B2	9/2006	Sundaram et al.	

7,404,400	B2	7/2008	Lulla et al.	
7,431,175	B2 *	10/2008	Heilos	220/717
D585,542	S	1/2009	Watson et al.	
7,562,656	B2	7/2009	Gallem et al.	
8,074,641	B2	12/2011	Gallem et al.	

(Continued)

OTHER PUBLICATIONS

“AeroChamber Plus Flow-Vu Anti-Static Valved Holding Chamber, Mouthpiece, Large Mask” Forest Pharmaceuticals, Inc., RMC 16416 Revision: Jan. 2010 (1 page).

(Continued)

Primary Examiner — Ian Simmons

Assistant Examiner — Richelle G Shelton

(74) *Attorney, Agent, or Firm* — Myers Bigel Sibley & Sajovec PA

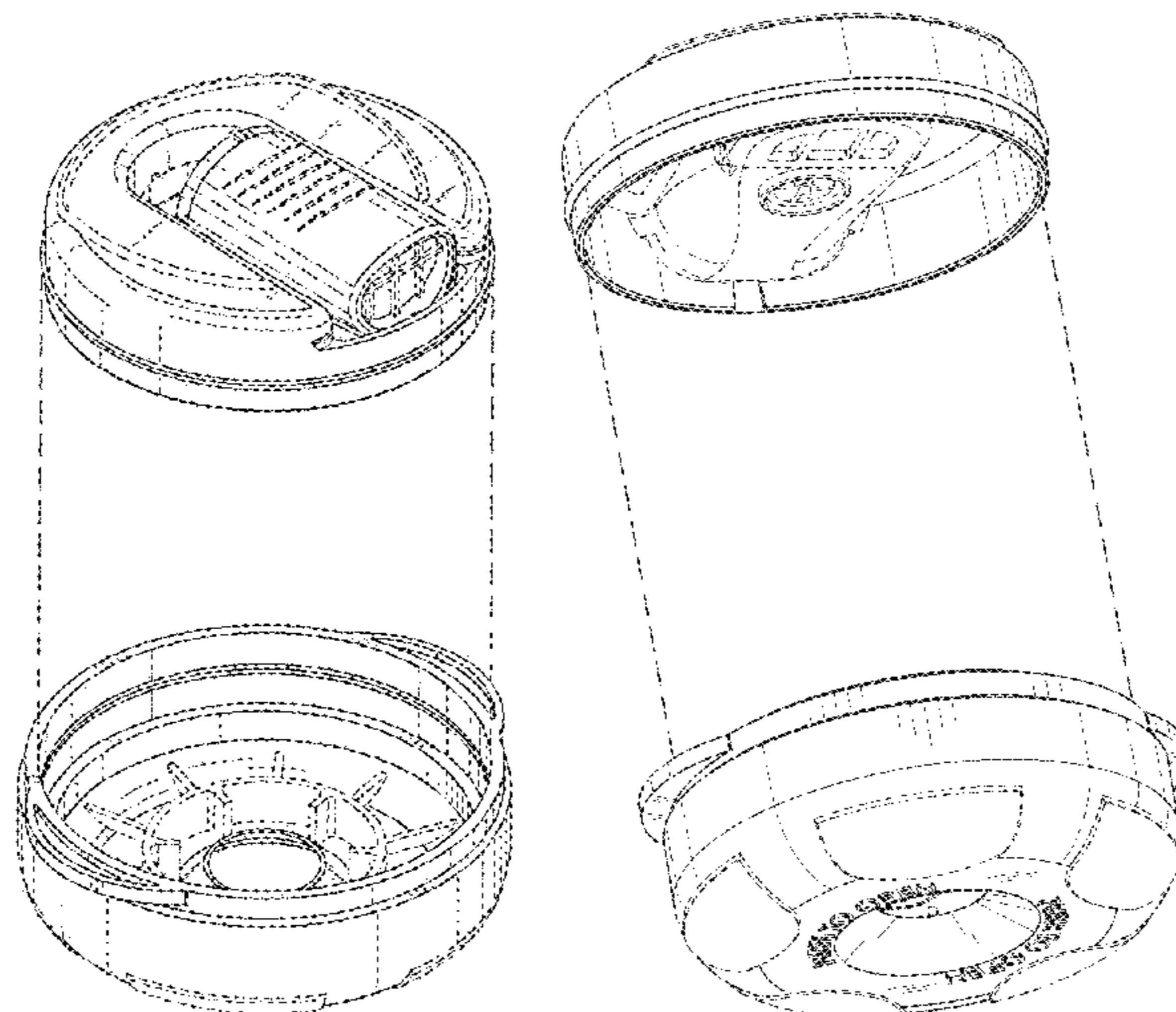
(57) **CLAIM**

The ornamental design for an inhalation spacer, as shown and described.

DESCRIPTION

FIG. 1 is a front, top perspective view of an inhalation spacer showing our new design;
FIG. 2 is a rear, bottom perspective view thereof;
FIG. 3 is a front view thereof;
FIG. 4 is a rear view thereof;
FIG. 5 is a left side view thereof, the right side view being a mirror image of the left side view;
FIG. 6 is a top view thereof;
FIG. 7 is a bottom view thereof;
FIG. 8 is a front, top perspective view thereof, shown collapsed to an optional closed position; and,
FIG. 9 is a front, top perspective view of FIG. 1, shown with the mouthpiece extended.
The broken line showing is of portions of the inhalation spacer and represents internal boundaries with the line itself and the area within forming no part of the claimed design.

1 Claim, 9 Drawing Sheets



(56)

References Cited

U.S. PATENT DOCUMENTS

2002/0069870	A1	6/2002	Farmer	
2006/0000469	A1*	1/2006	Tseng	128/200.14
2007/0007289	A1*	1/2007	Hoberman	220/6
2007/0113841	A1*	5/2007	Fuchs	128/200.14
2008/0210225	A1	9/2008	Geiger	
2009/0007909	A1*	1/2009	Carrico	128/203.15
2013/0075393	A1*	3/2013	Haynie	220/6

OTHER PUBLICATIONS

“AeroChamber Plus Flow-Vu Anti-Static Valved Holding Chamber, Small Mask, Medium Mask” Forest Pharmaceuticals, Inc., RMC 16417 Revision: Jan. 2010 (1 page).

“AeroChamber Plus Valved Holding Chamber” Forest Pharmaceuticals, Inc., Retrieved Date: May 6, 2010, From URL: <http://www.aerochambervhc.com> (3 pages).

“E-Z Spacer® Collapsible holding chamber for metered-dose inhalers” FSC Laboratories, Inc., FSC 393-11, Rev A, Nov. 2008 (1 page).

Haidl et al., “Inhaled isotonic alkaline versus saline solution and radioaerosol clearance in chronic cough” *European Respiratory Journal* 2000; 16: 1102-1108.

“Optichamber® Advantage Valved Holding Chamber” Philips Respironics, Retrieved Date: Oct. 14, 2010, From URL: <http://optichamberholdingchamber.respironics.com/default.asp>. (5 pages).

OptiChamber Advantage Valved Holding Chamber Koninklijke Philips Electronics N.V., Retrieved Date: May 6, 2010, From URL: http://www.healthcare.philips.com/main/homehealth/respiratory_drug_delivery/optichamberholdingchamber/default.wpd (1 page).

“PARI Granted US Patent for Vortex Holding Chamber” PARI Respiratory Equipment, Inc., News Release, Midlothian, Virginia, Jul. 21, 2009 (1 page).

“PARI in the Americas—The Lower Airways—Home” PARI Respiratory Equipment, Inc., Retrieved Date: May 6, 2010, From URL: <http://www.pari.com/pdd.htm> (1 page).

“PARI Vortex® Non Electrostatic Valved Holding Chamber” PARI Respiratory Equipment, Inc., Retrieved Date: May 6, 2010, From URL: <http://www.pari.com/pdd/vortex.htm> (2 pages).

“Pocket Flow Spacer” Health Enterprise East Ltd., Retrieved Date: Jun. 21, 2010, From URL: <http://www.hee.org.uk/Licensing-Opportunities/pocket-flow-spacer.html> (1 page).

“Spacers and holding chambers” Koninklijke Philips Electronics N.V., Retrieved Date: May 6, 2010, From URL: http://www.healthcare.philips.com/main/homehealth/respiratory_drug_delivery/spacers_and_holding_chambers/index.wpd (1 page).

* cited by examiner

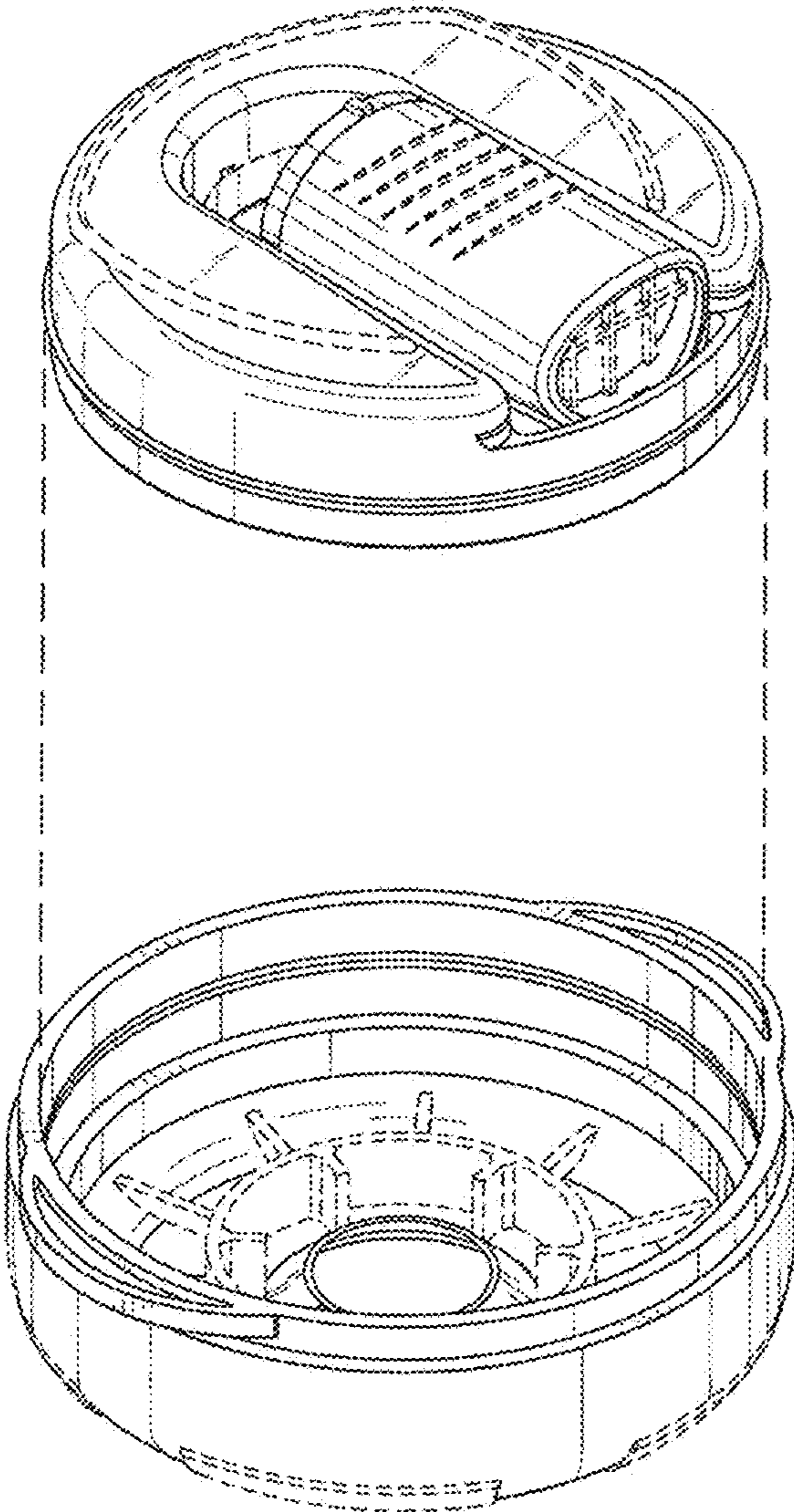


Fig. 1

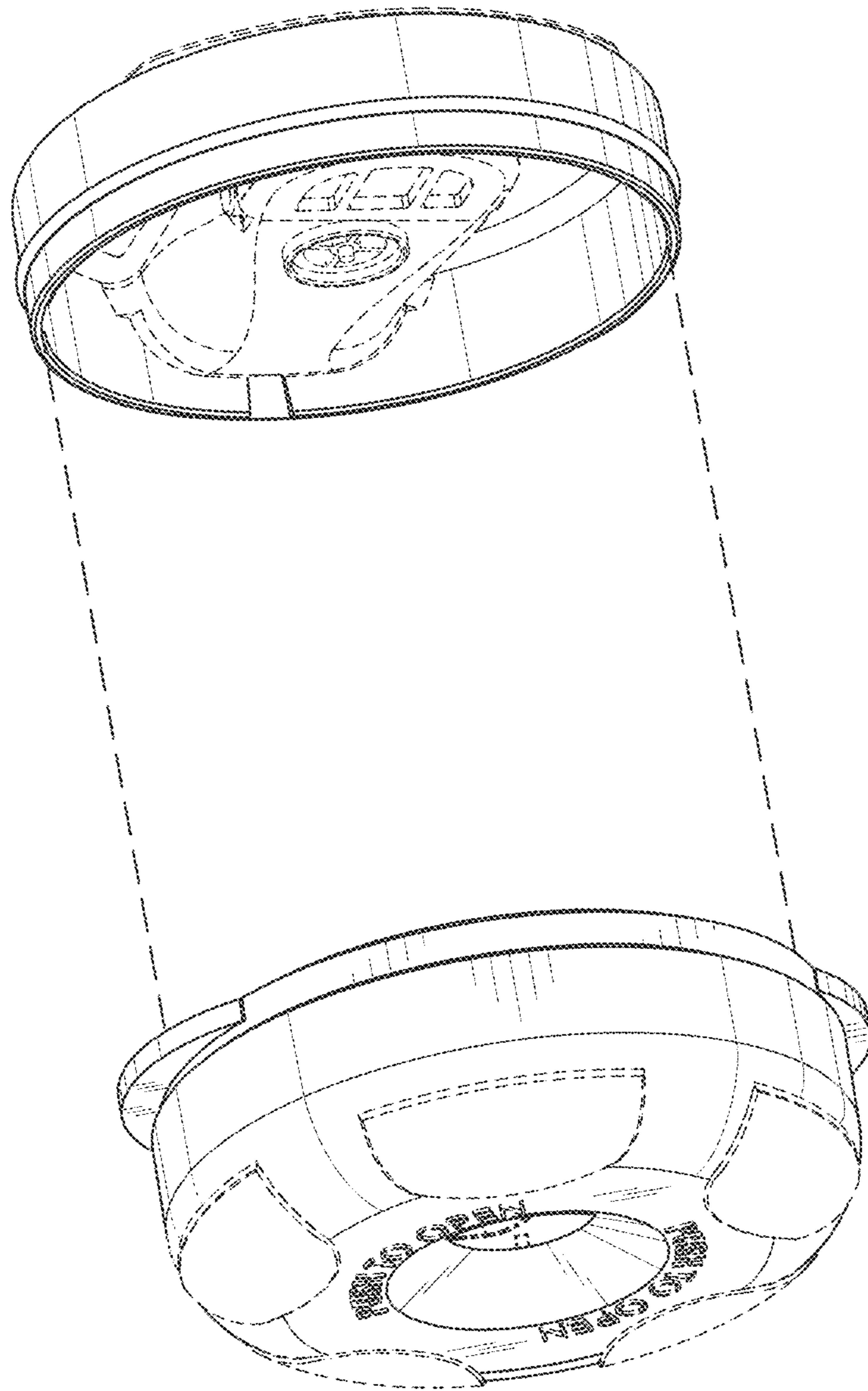


Fig. 2

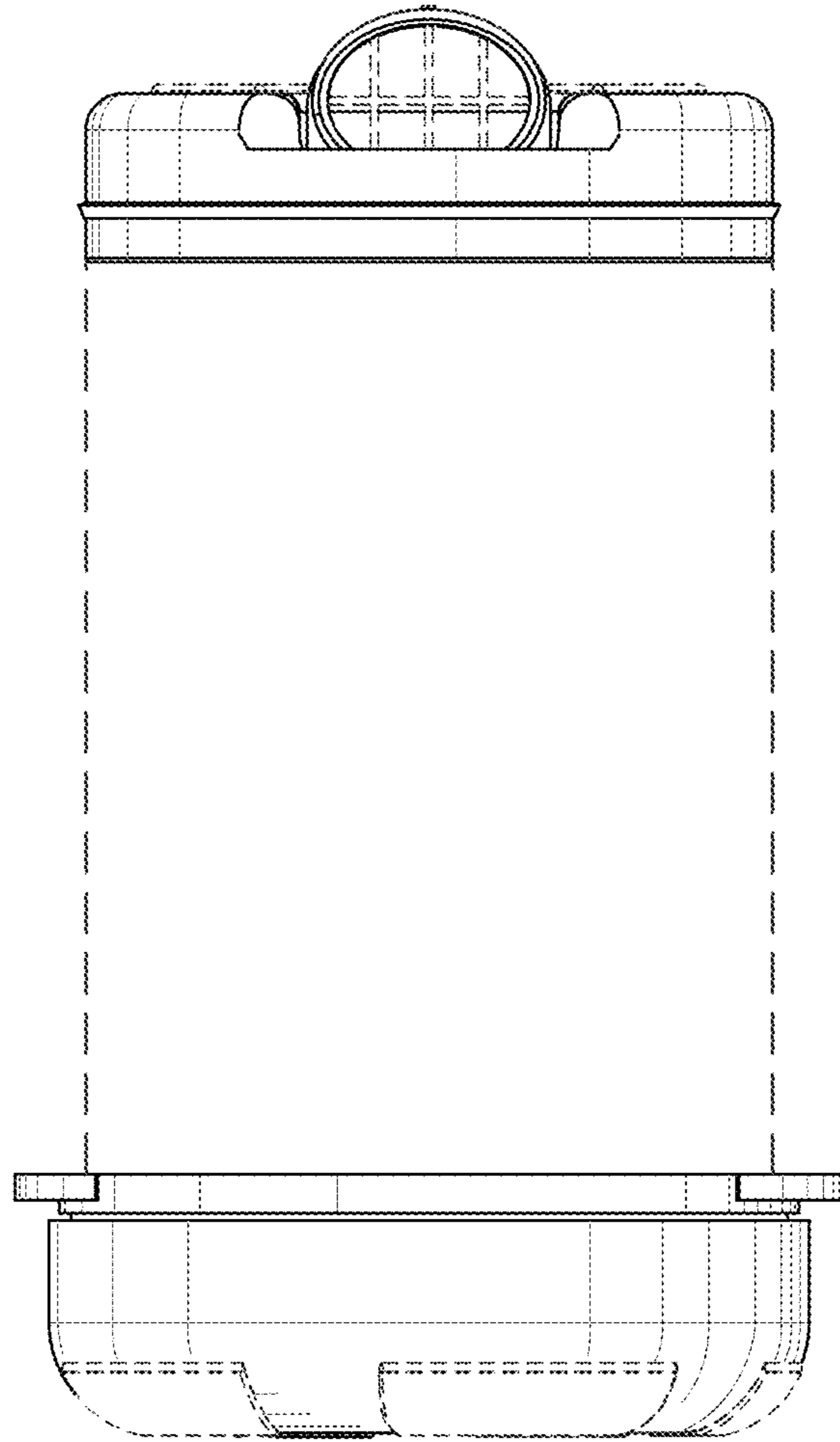


Fig. 3

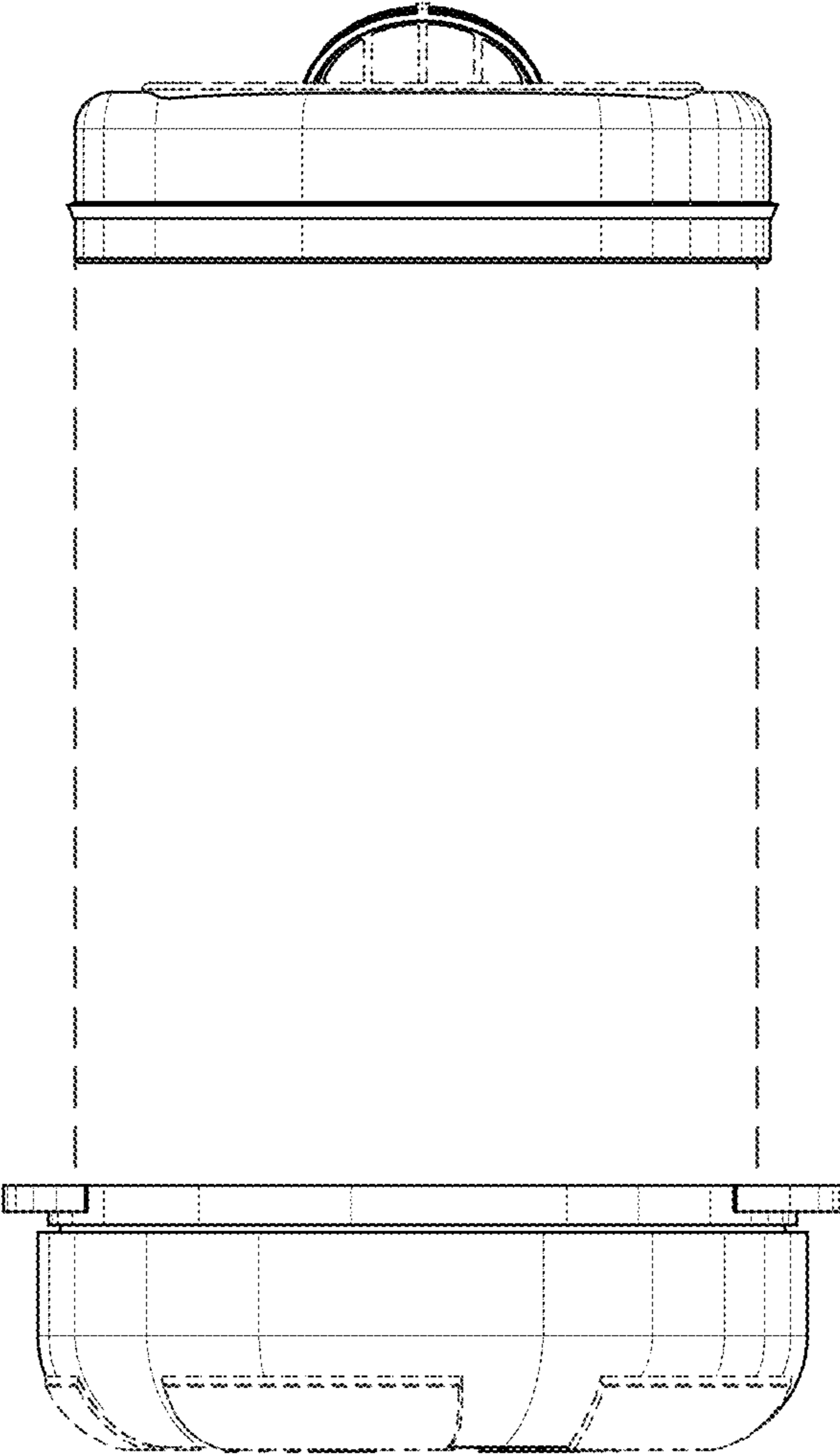


Fig. 4

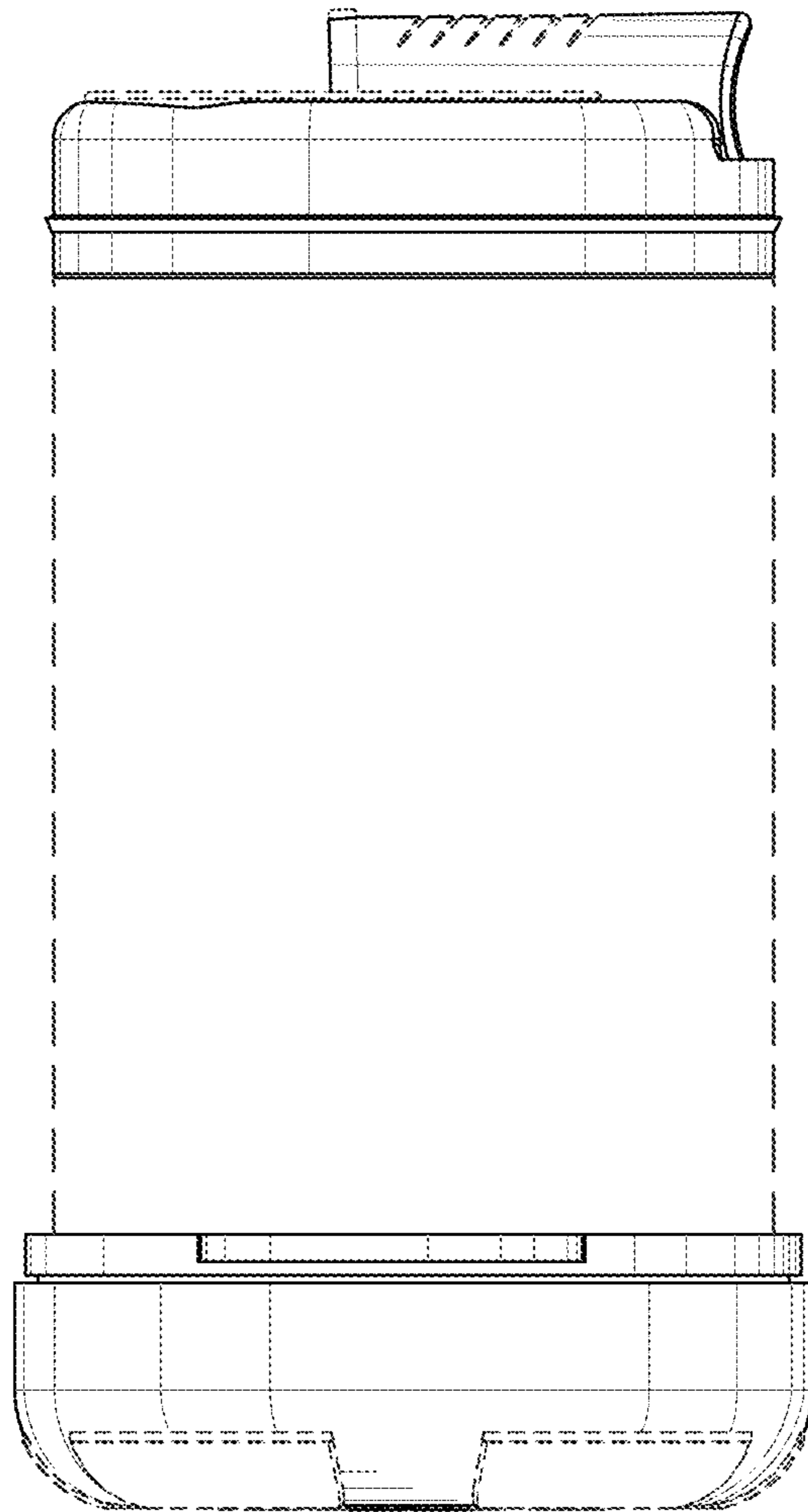


Fig. 5

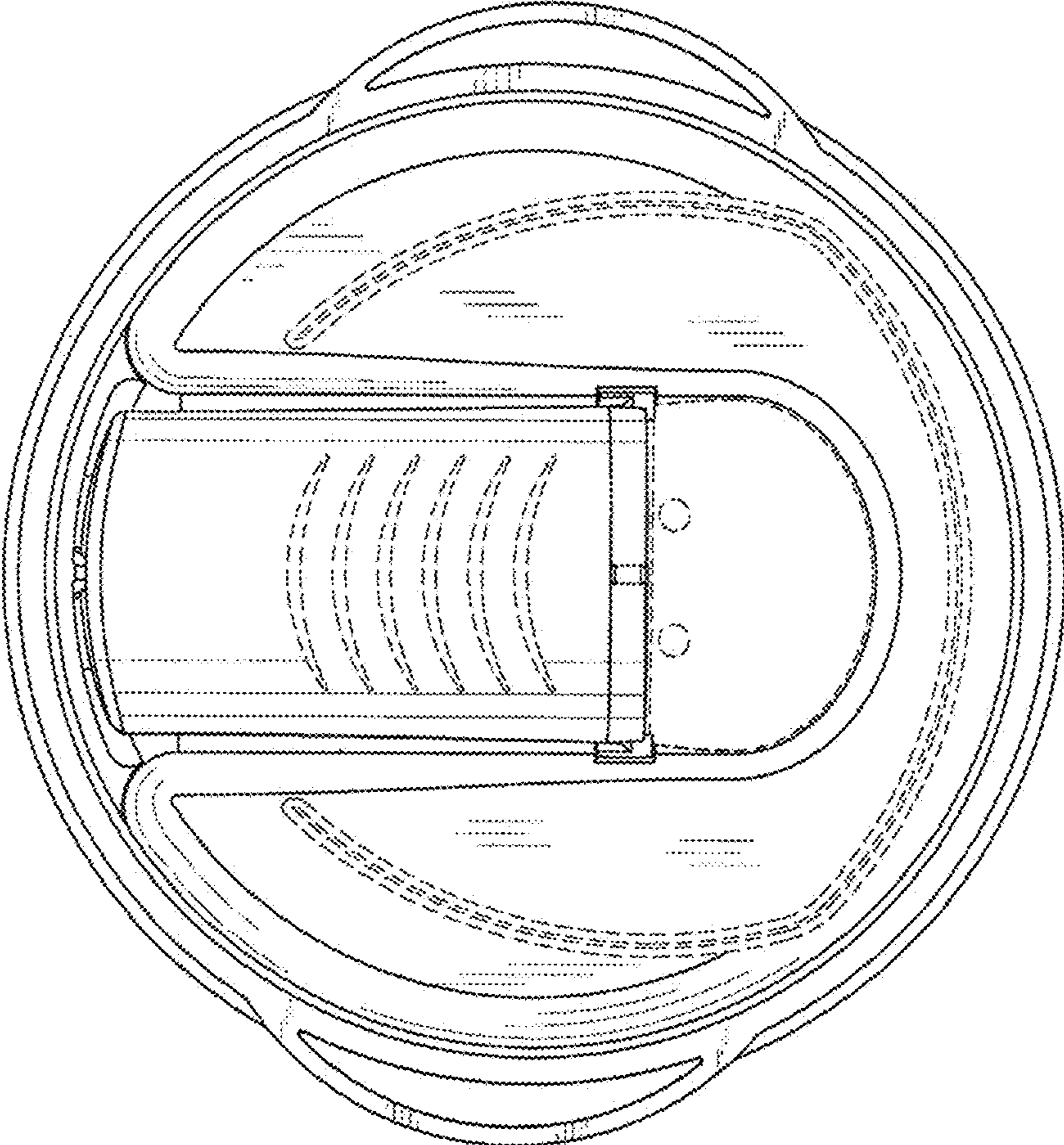


Fig. 6



Fig. 7

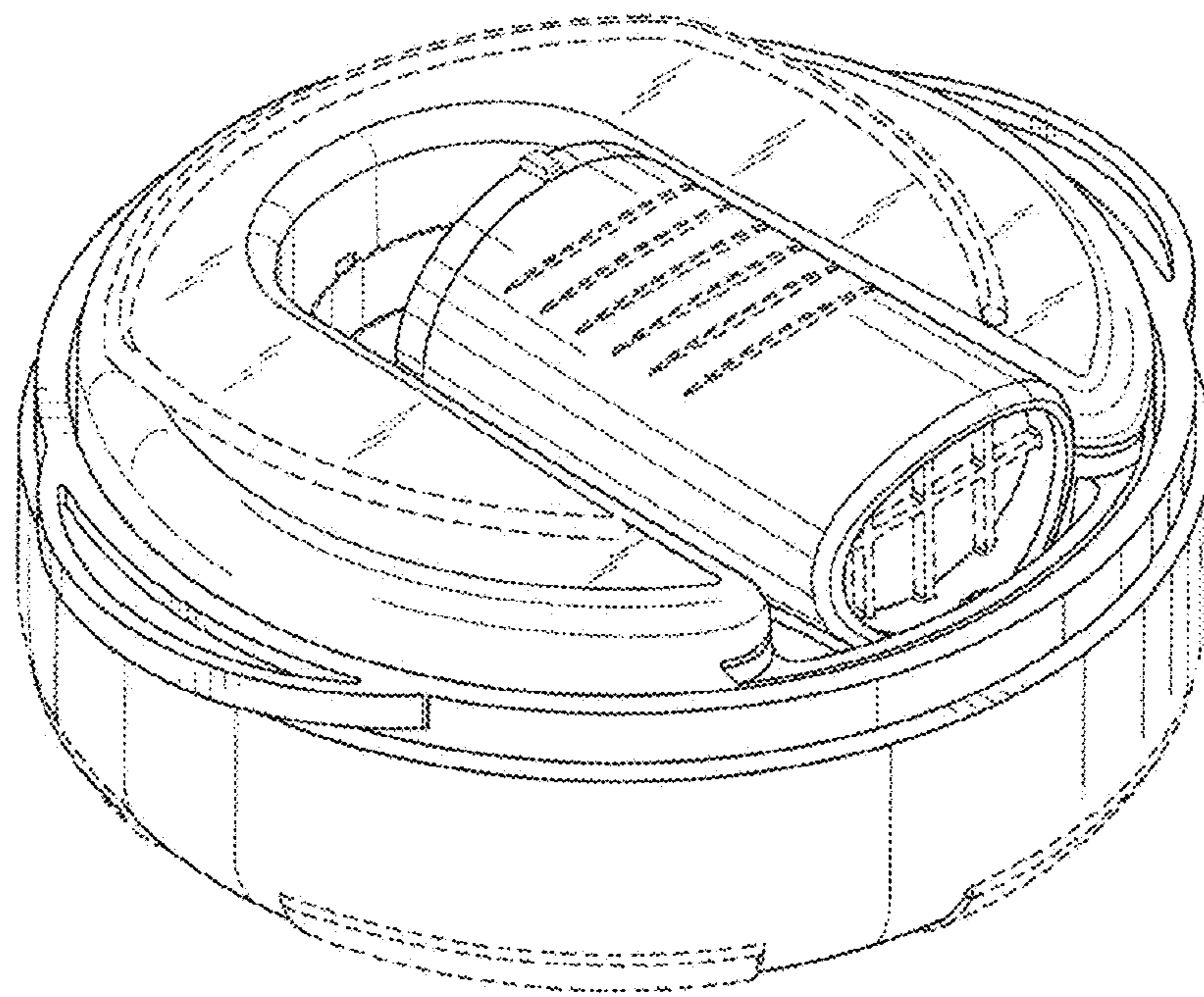


Fig. 8

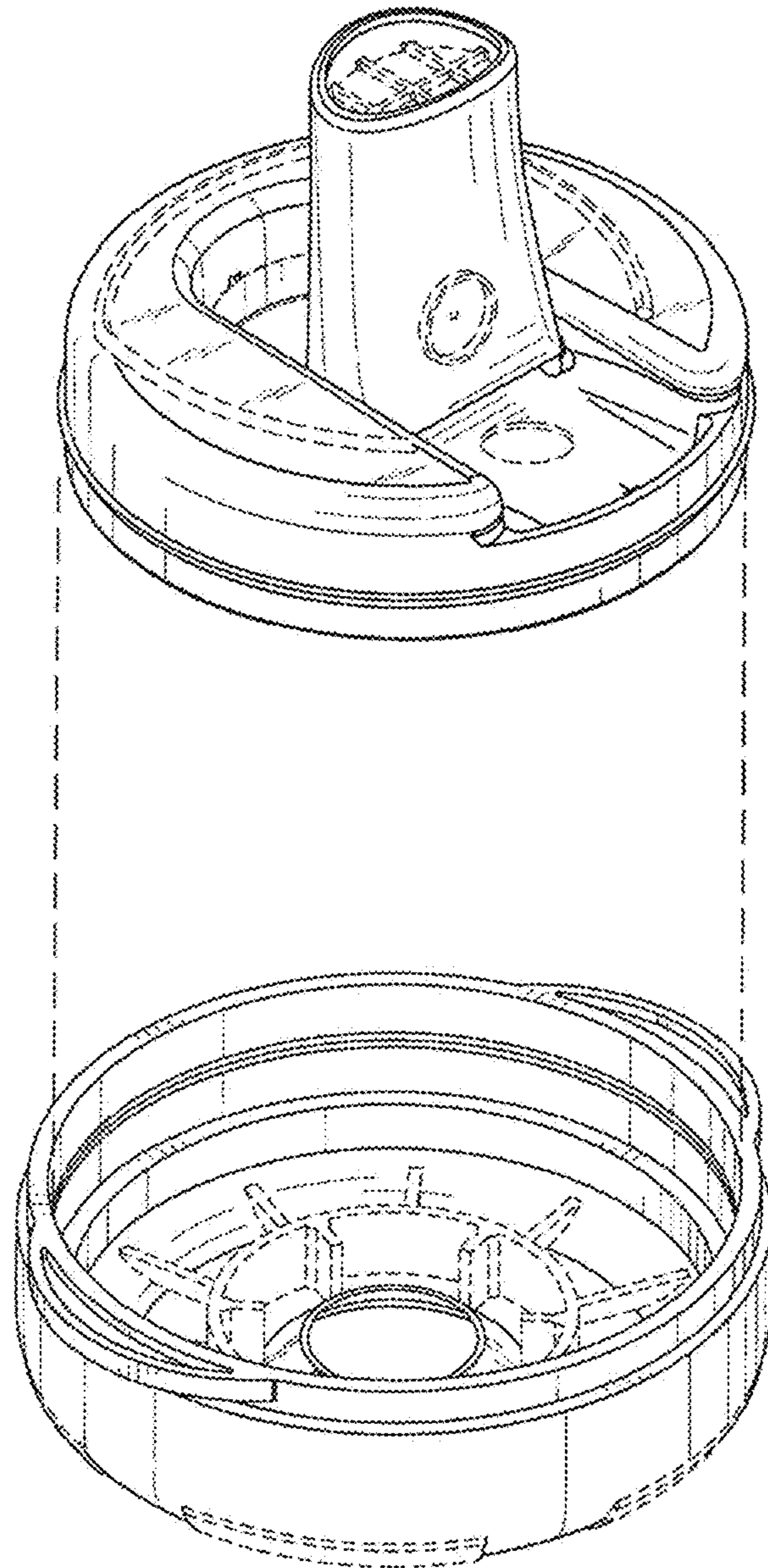


Fig. 9