



US00D717423S

(12) **United States Design Patent**  
**Heit**

(10) **Patent No.:** **US D717,423 S**

(45) **Date of Patent:** **\*\* Nov. 11, 2014**

(54) **ORAL DOSAGE TABLET**

(76) Inventor: **Erin Heit**, Delray Beach, FL (US)

(\*\*) Term: **14 Years**

(21) Appl. No.: **29/427,337**

(22) Filed: **Jul. 17, 2012**

(51) **LOC (10) Cl.** ..... **24-01**

(52) **U.S. Cl.**  
USPC ..... **D24/101**

(58) **Field of Classification Search**  
USPC ..... D24/100–104; D28/8.1, 8.2, 6;  
424/451–462, 464–483  
See application file for complete search history.

(56) **References Cited**

**U.S. PATENT DOCUMENTS**

D220,956 S *	6/1971	Roberts	.....	D24/103
D377,086 S *	12/1996	Tortarolo	.....	D24/101
D477,866 S *	7/2003	Dubois et al.	.....	D24/101
D602,226 S *	10/2009	Hajek	.....	D1/127
D619,240 S *	7/2010	Swagler et al.	.....	D24/101
D636,070 S *	4/2011	Illing et al.	.....	D24/101

\* cited by examiner

*Primary Examiner* — Ian Simmons

*Assistant Examiner* — Charles Hanson

(74) *Attorney, Agent, or Firm* — David W. Barman

(57) **CLAIM**

The ornamental design of an oral dosage tablet, as shown and described.

**DESCRIPTION**

FIG. 1 is a perspective view of the oral dosage tablet of the present invention.

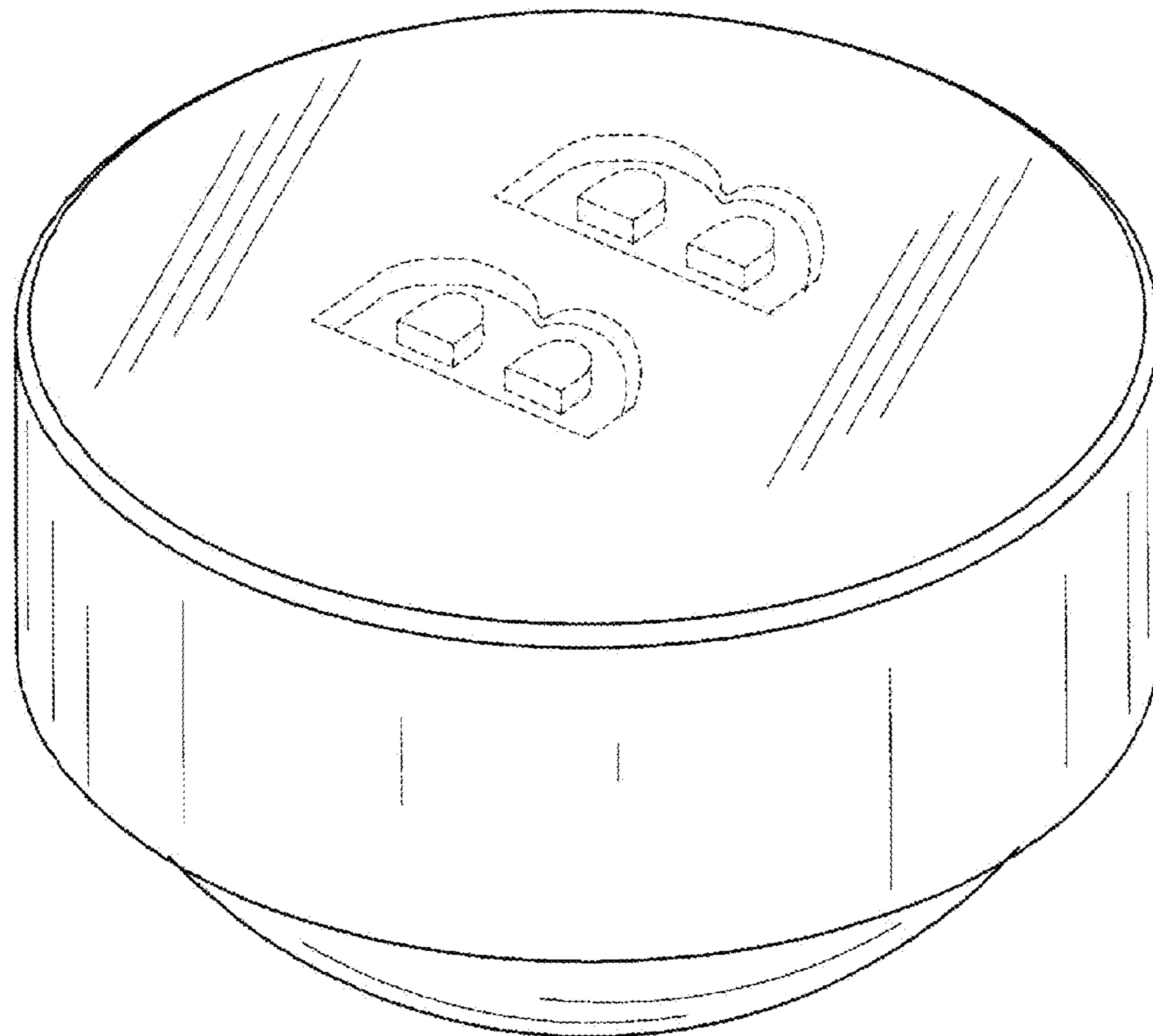
FIG. 2 is a top plan view of the oral dosage tablet of the present invention.

FIG. 3 is a side plan view of the oral dosage tablet of the present invention; and,

FIG. 4 is an underside plan view of the oral dosage tablet of the present invention.

The broken line showing the letters “B B” is included for the purpose of illustrating environment and forms no part of the claimed design.

**1 Claim, 4 Drawing Sheets**



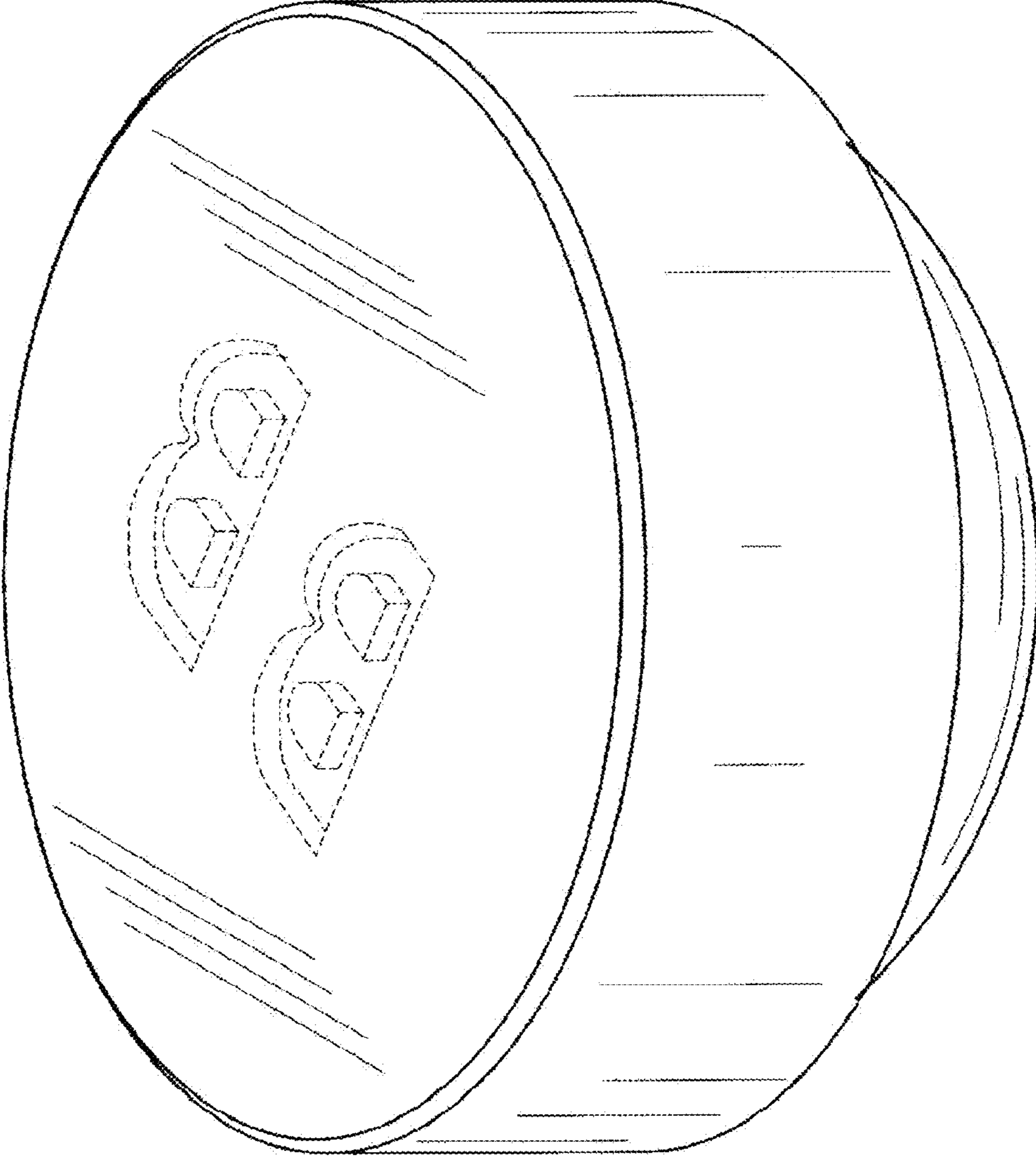


FIG.1

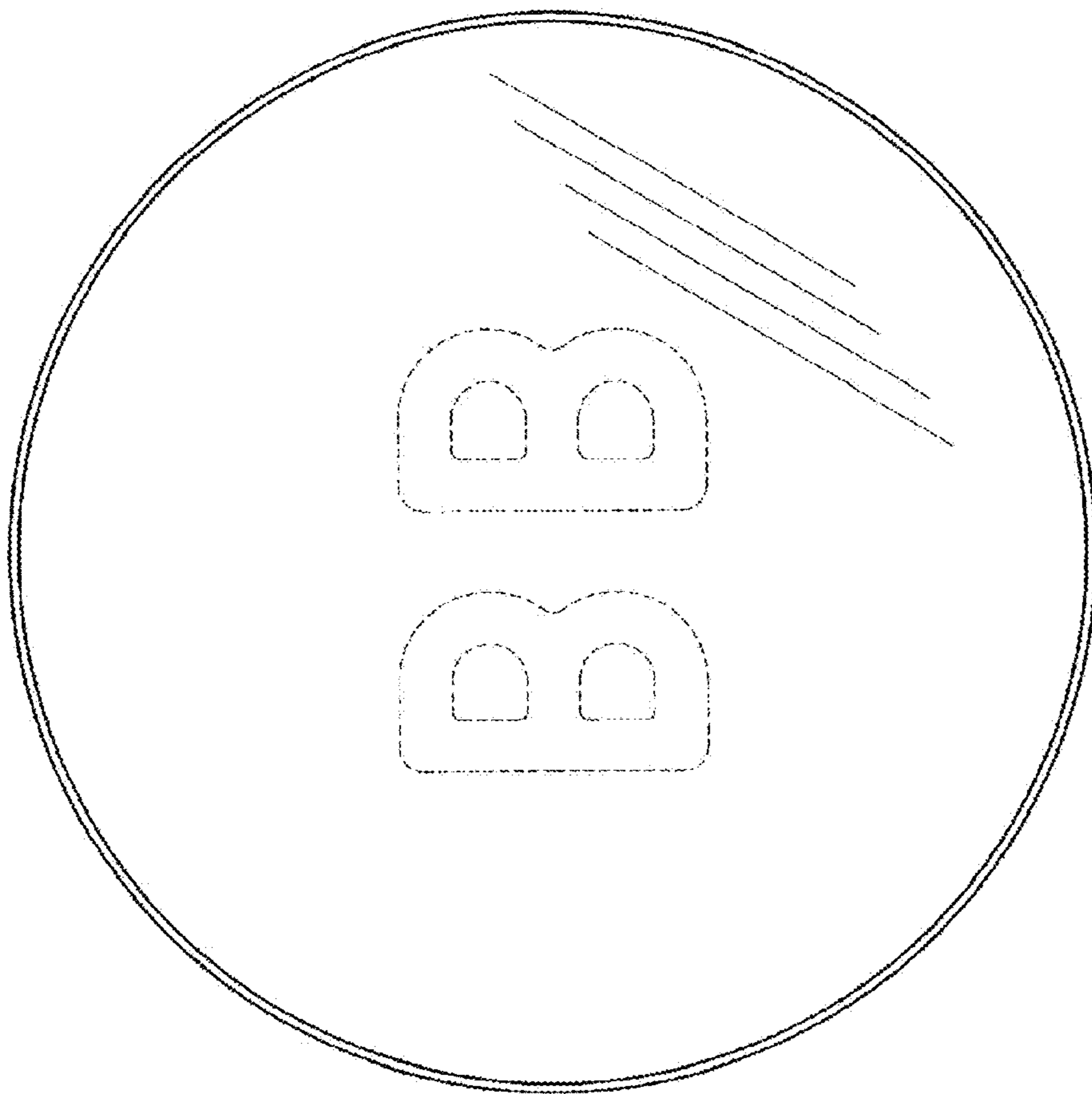


FIG. 2

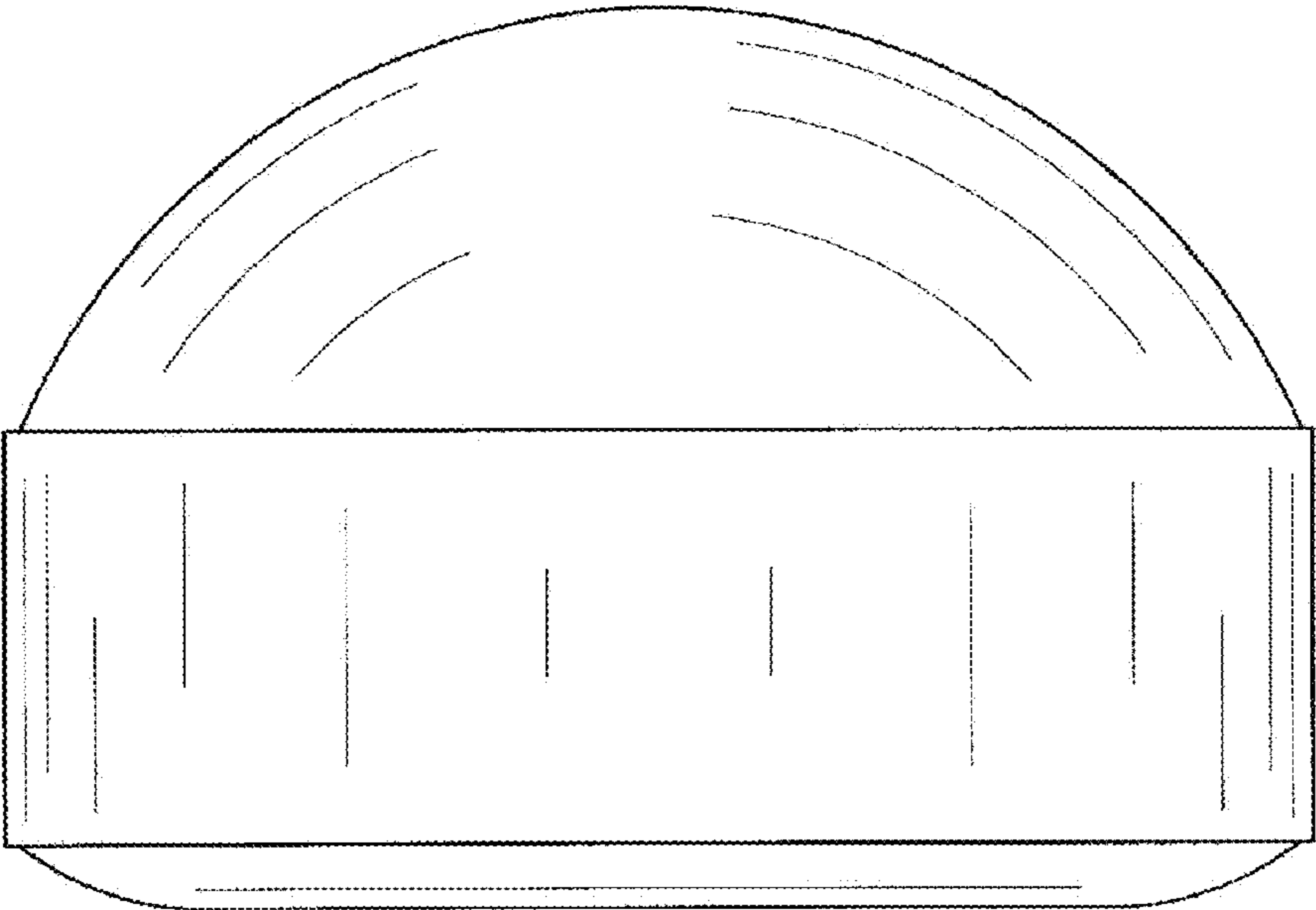


FIG. 3

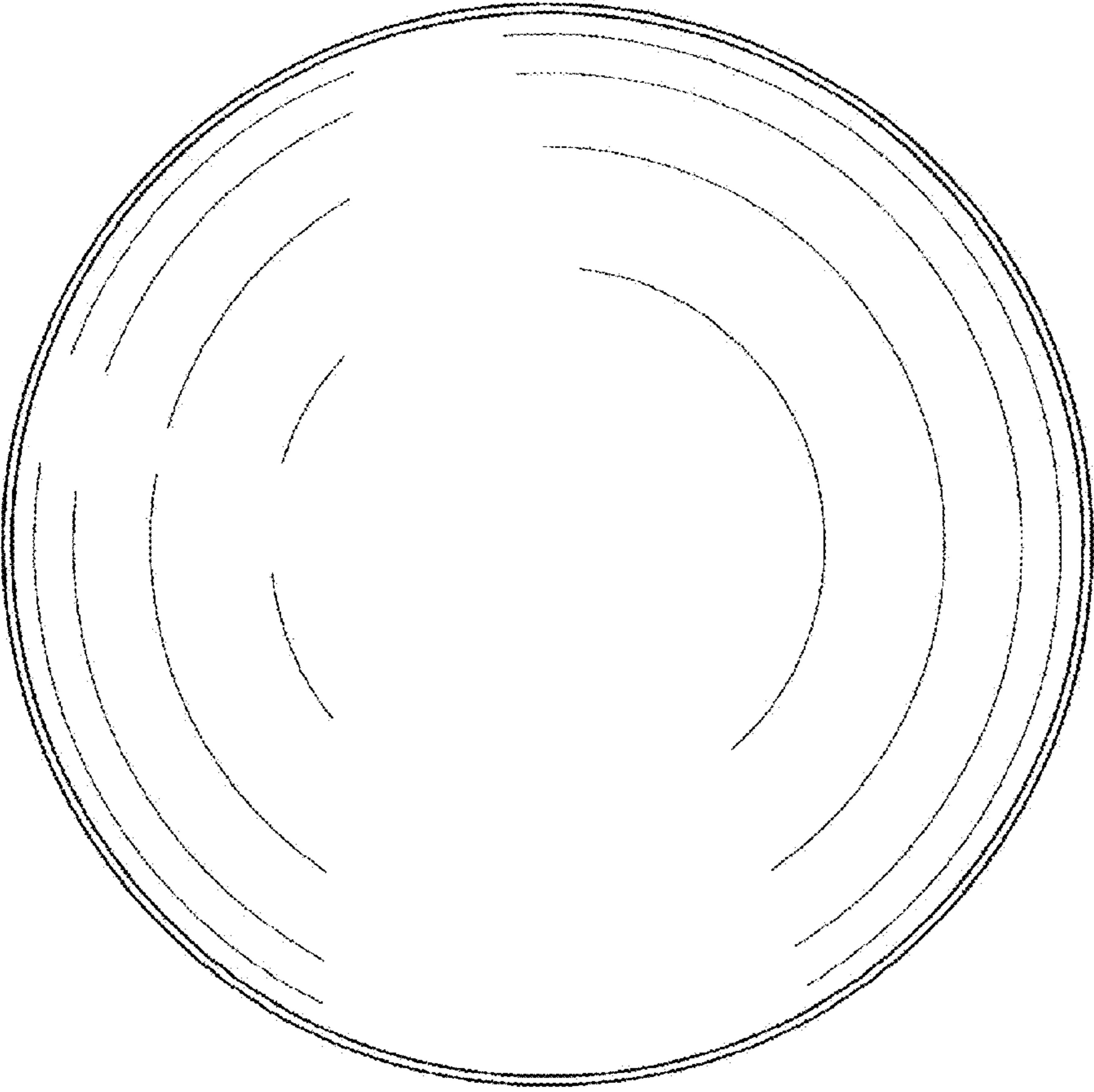


FIG.4