



US00D717422S

(12) **United States Design Patent**
Forlong

(10) **Patent No.:** **US D717,422 S**

(45) **Date of Patent:** **** Nov. 11, 2014**

(54) **CHIP AND COOLANT EXTRACTION DUCT MEMBER**

(71) Applicant: **Eigen Systems Limited**, Auckland (NZ)

(72) Inventor: **Murray Houlton Forlong**, Auckland (NZ)

(73) Assignee: **Eigen Systems Limited**, Albany (NZ)

(**) Term: **14 Years**

(21) Appl. No.: **29/452,304**

(22) Filed: **Apr. 15, 2013**

(51) **LOC (10) Cl.** **23-04**

(52) **U.S. Cl.**
USPC **D23/393**

(58) **Field of Classification Search**

USPC D23/385-395, 397, 370-373, 365, 351, D23/354, 399-403, 421, 499; 454/309, 454/275-277, 284, 287-291, 358-363; 52/302.1, 32.07; 285/229, 189, 183, 285/123.1, 15, 114, 110, 424, 197; 165/59

See application file for complete search history.

(56) **References Cited**

U.S. PATENT DOCUMENTS

D262,313 S *	12/1981	Hamilton	D23/370
D269,117 S *	5/1983	Sherrard	D23/393
5,121,948 A *	6/1992	Anderson et al.	285/147.1
D342,782 S *	12/1993	Anderson et al.	D23/393
D412,030 S *	7/1999	Tuggle	D23/393
D425,612 S *	5/2000	Andersen	D23/393
6,230,418 B1 *	5/2001	Gomulinski	34/140
D462,118 S *	8/2002	Staggs, Jr.	D23/371
6,431,611 B1 *	8/2002	Andersen	285/183
D556,315 S *	11/2007	Jackson et al.	D23/393
D681,797 S *	5/2013	Gustafsson et al.	D23/393
D694,872 S *	12/2013	Gustafsson et al.	D23/393

* cited by examiner

Primary Examiner — David Muller

(74) *Attorney, Agent, or Firm* — Young & Thompson

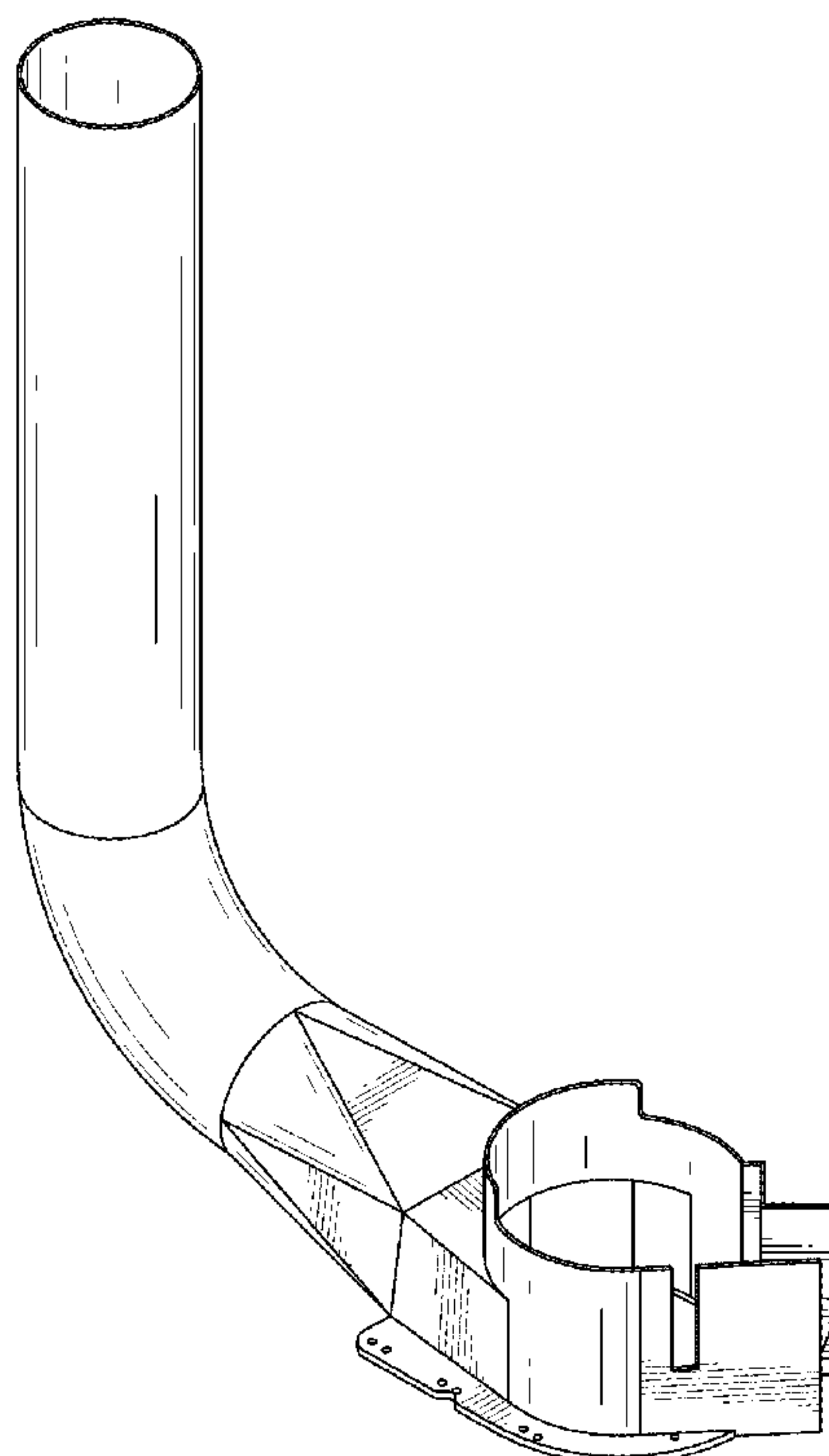
(57) **CLAIM**

The ornamental design for a chip and coolant extraction duct member, as shown and described.

DESCRIPTION

FIG. 1 is a top, right side, and rear perspective view of a chip and coolant extraction duct member showing the new design; FIG. 2 is a right side elevation view thereof; FIG. 3 is a rear elevation view thereof; FIG. 4 is a left side elevation view thereof; and, FIG. 5 is a top, left side, front perspective view thereof.

1 Claim, 4 Drawing Sheets



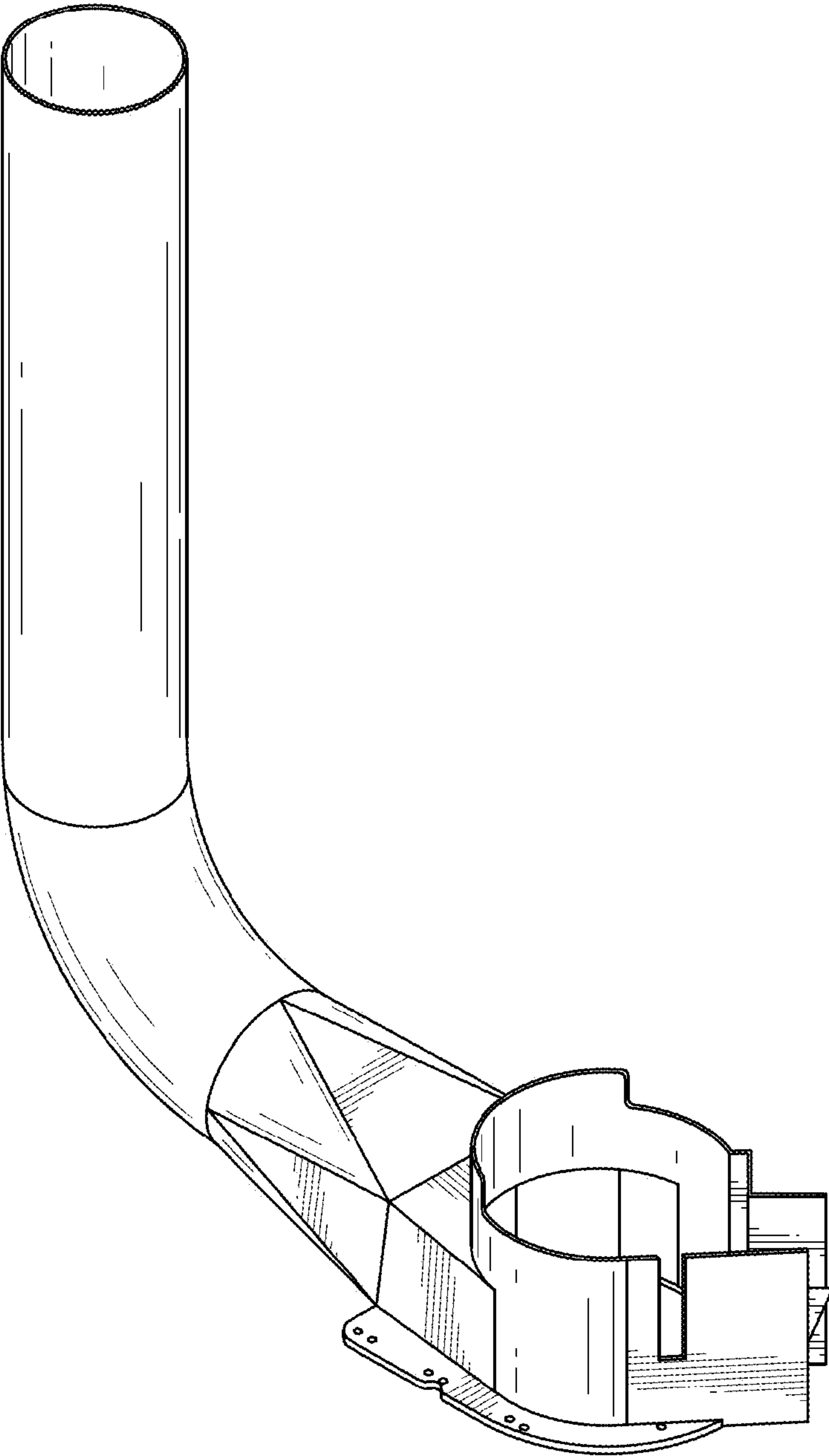


FIG.1

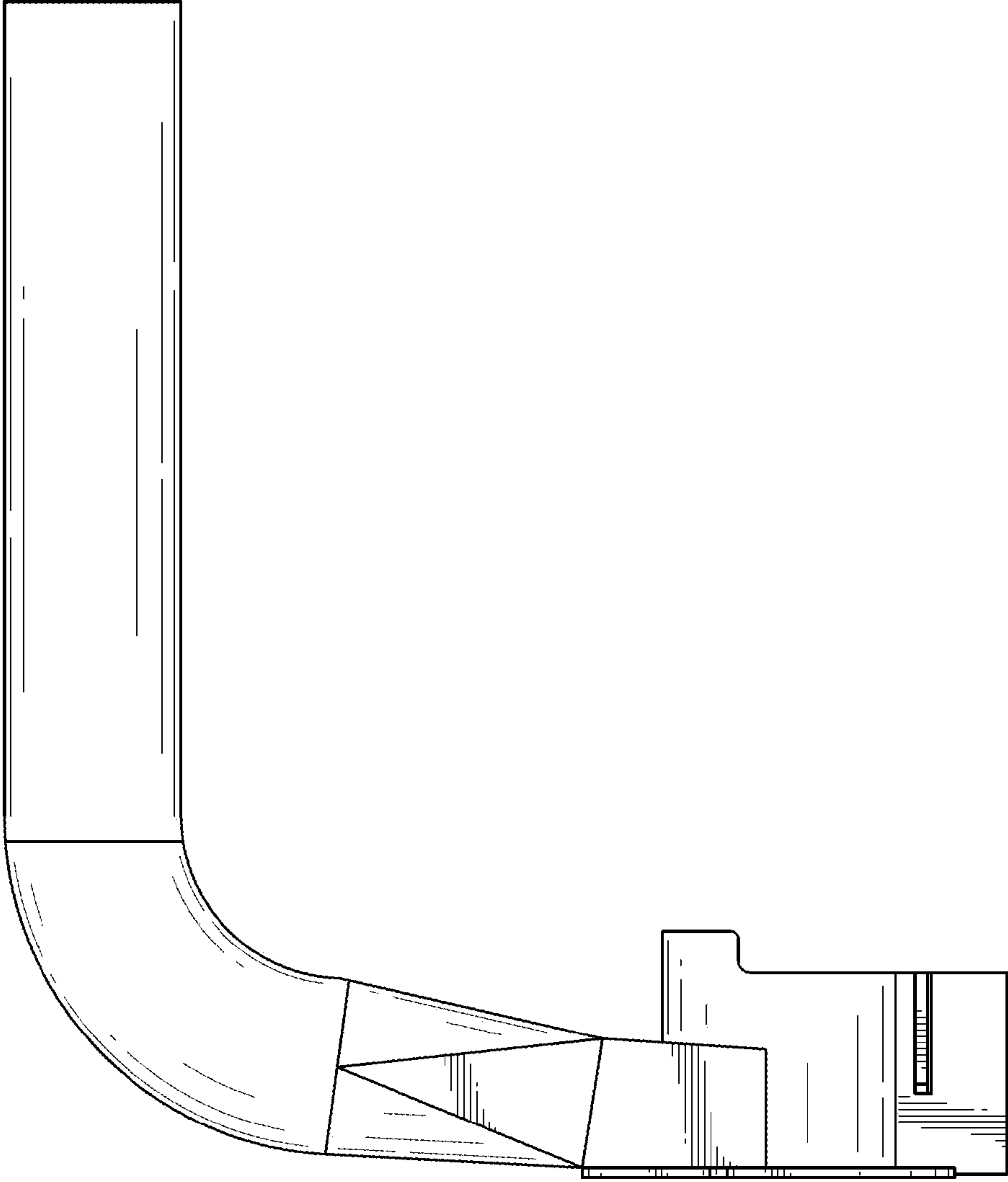


FIG.2

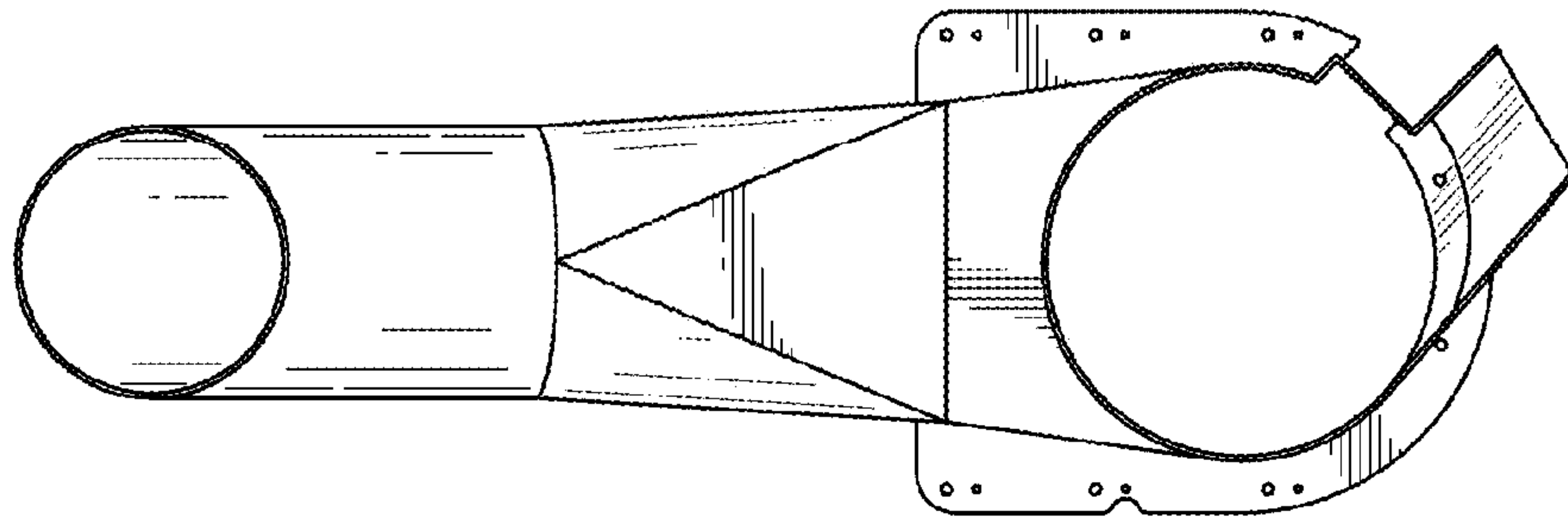


FIG.3

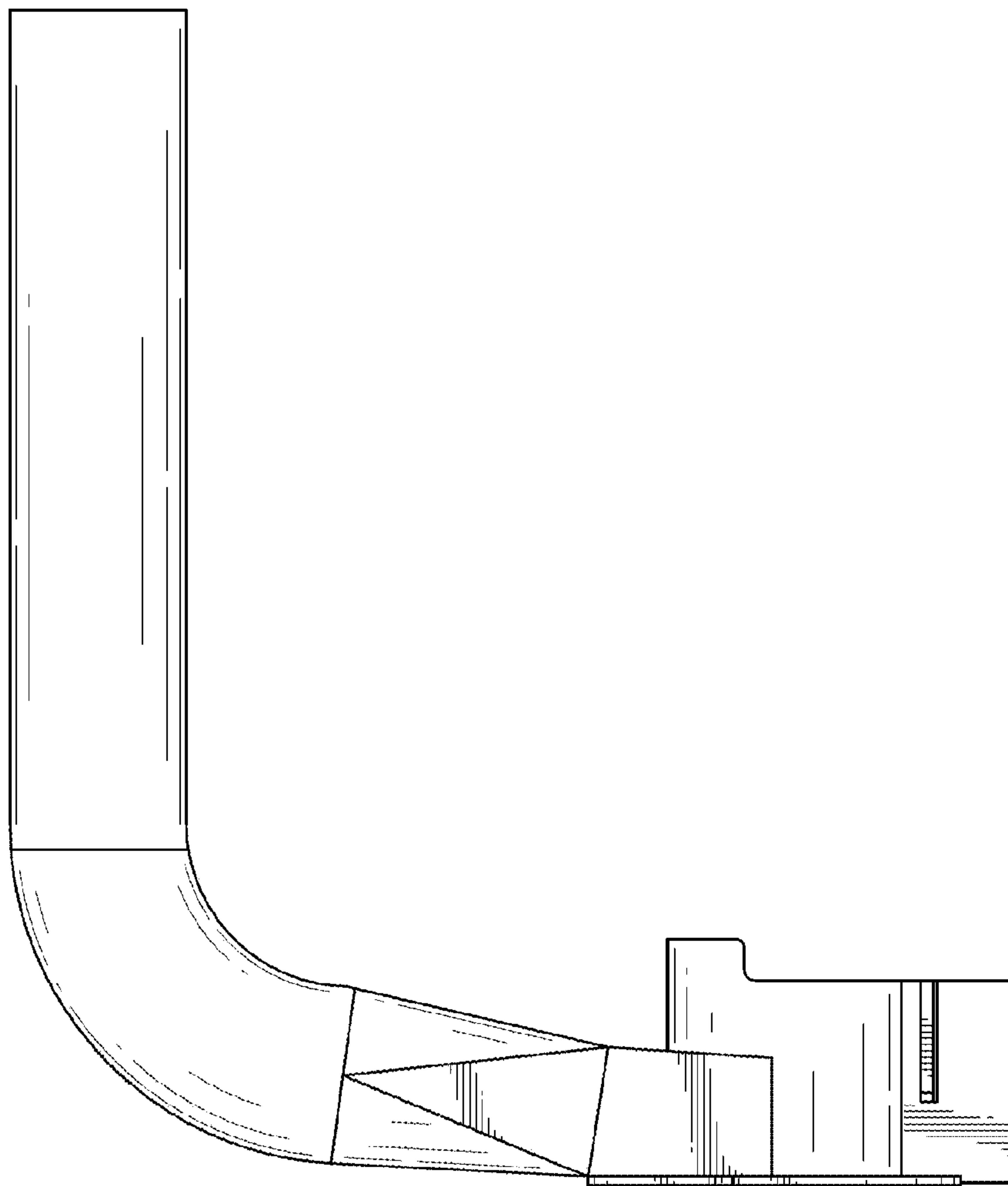


FIG.4

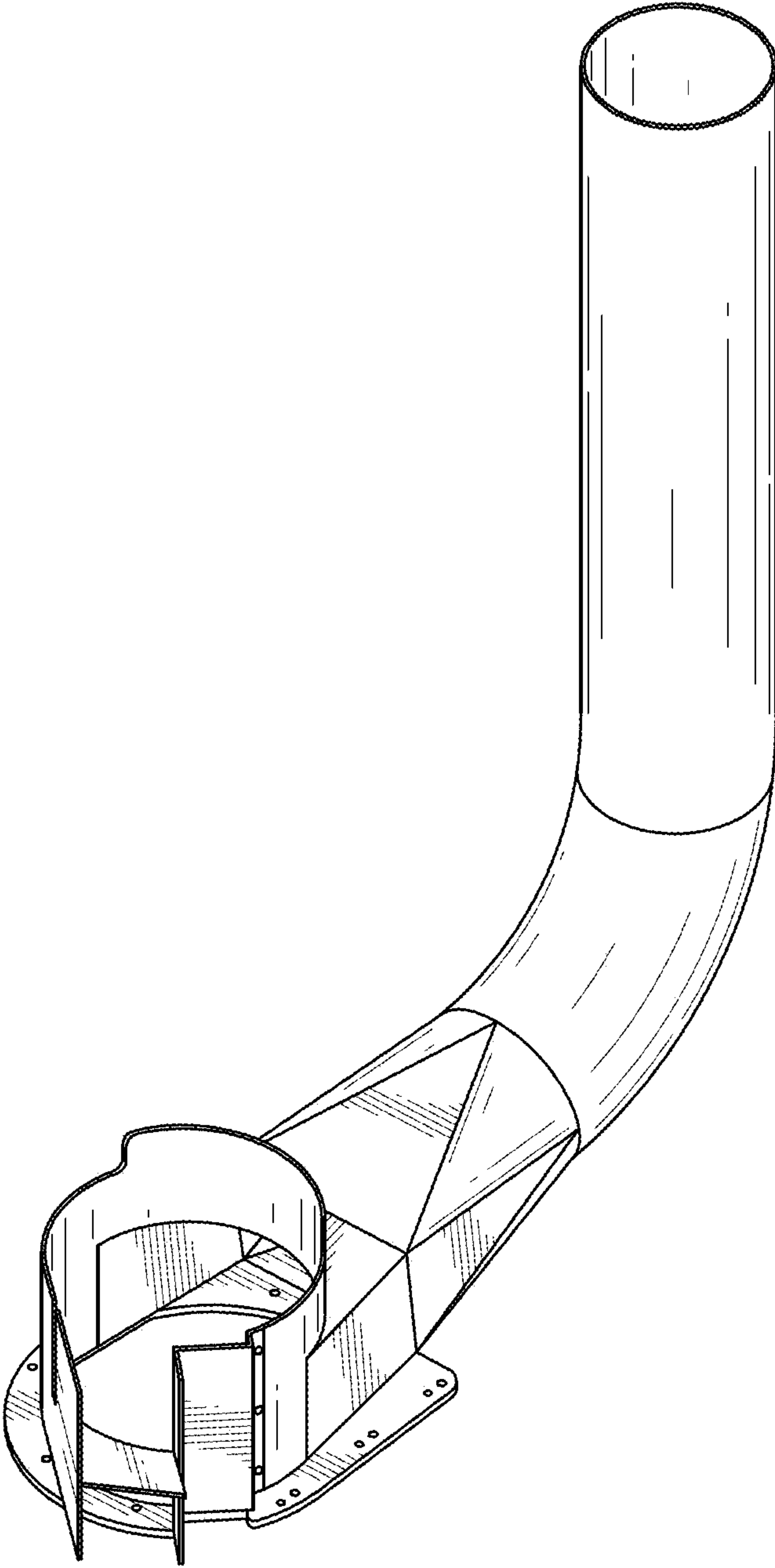


FIG.5