

US00D717420S

(12) **United States Design Patent**
Von Seggern

(10) **Patent No.:** **US D717,420 S**
(45) **Date of Patent:** **** Nov. 11, 2014**

- (54) **AIR FILTER ELEMENT WITH LID**
- (71) Applicant: **Michael Von Seggern**, Kearney, NE (US)
- (72) Inventor: **Michael Von Seggern**, Kearney, NE (US)
- (73) Assignee: **Baldwin Filters, Inc.**, Kearney, NE (US)
- (**) Term: **14 Years**
- (21) Appl. No.: **29/477,986**
- (22) Filed: **Dec. 30, 2013**
- (51) **LOC (10) Cl.** **23-04**
- (52) **U.S. Cl.**
USPC **D23/365**
- (58) **Field of Classification Search**
USPC D23/365, 209, 363, 358, 386, 354, 341,
D23/364; 55/385.3, 502, 497, 506, 505,
55/521, 495, 422, 493, DIG. 30; 210/435,
210/130, 136, 248, 339, 448, 452, 497.1;
D32/31; D15/5
See application file for complete search history.

7,070,642	B2	7/2006	Scott et al.	
7,291,198	B2	11/2007	Gieseke et al.	
7,524,349	B2	4/2009	Schrage et al.	
7,537,631	B2	5/2009	Scott et al.	
7,572,310	B2	8/2009	Gieseke et al.	
7,628,837	B2*	12/2009	Ehrenberg	55/498
7,662,203	B2	2/2010	Scott et al.	
7,964,011	B2*	6/2011	DeLillo	55/505
7,981,186	B2	7/2011	Schrage et al.	
7,981,187	B2	7/2011	Gieseke et al.	
7,988,757	B2	8/2011	Scott et al.	
8,038,756	B2	10/2011	Iddings et al.	
8,066,791	B2	11/2011	Baseotto et al.	
8,163,056	B2	4/2012	Coulonvaux et al.	
8,216,335	B2	7/2012	Scott et al.	
8,273,143	B2	9/2012	Coulonvaux et al.	
8,292,984	B2	10/2012	Baseotto et al.	
8,394,166	B2	3/2013	Scott et al.	
8,414,675	B2	4/2013	Iddings et al.	
8,444,735	B2	5/2013	Coulonvaux et al.	

(Continued)

Primary Examiner — David Muller
(74) *Attorney, Agent, or Firm* — Reinhart Boerner Van Deuren P.C.

(57) **CLAIM**
I claim the ornamental design for the air filter element with lid, as shown and described.

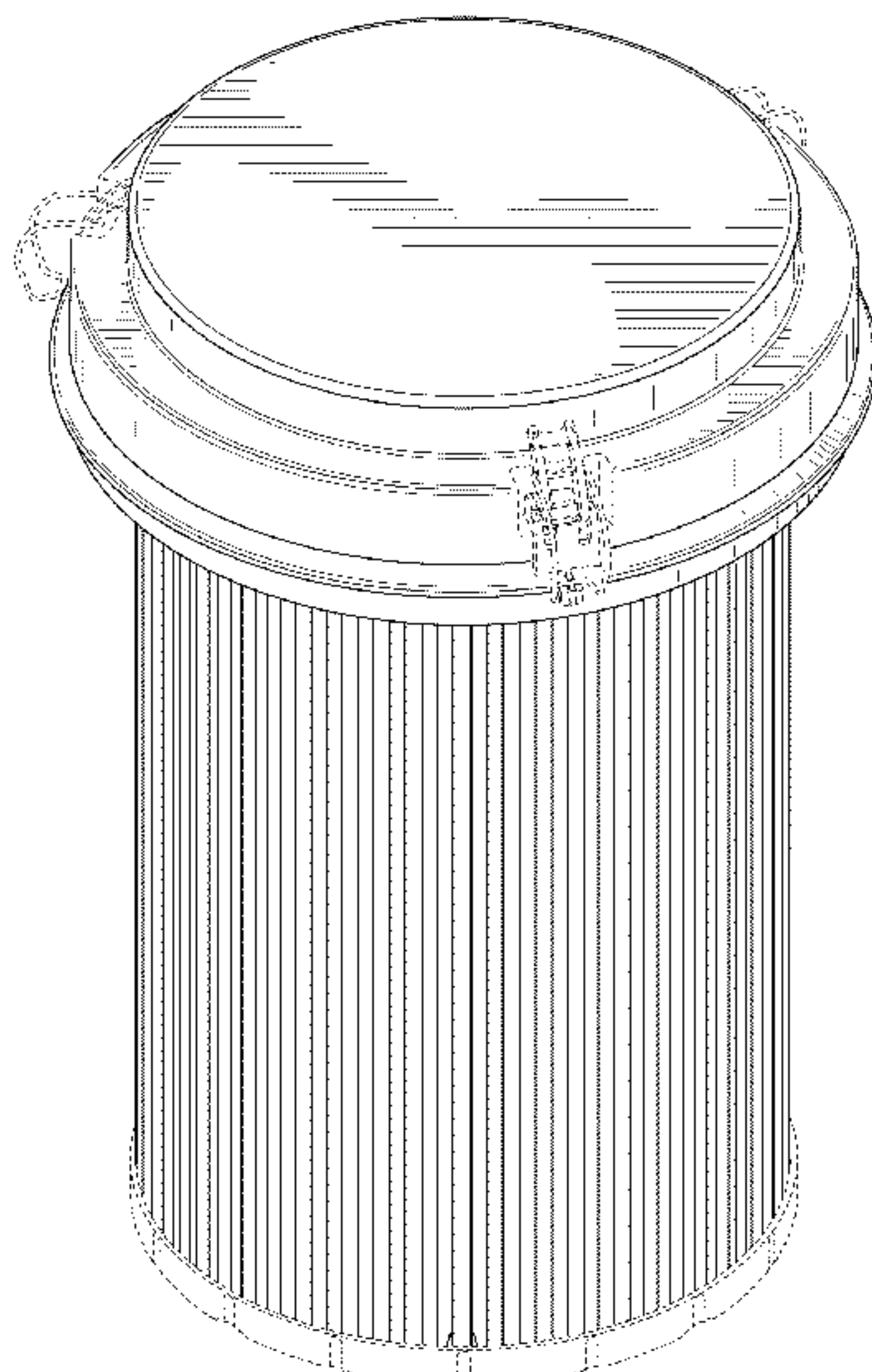
(56) **References Cited**
U.S. PATENT DOCUMENTS

D294,167	S *	2/1988	Meissner	D23/209
D306,640	S *	3/1990	Kott	D23/209
D400,323	S *	10/1998	Scanlon et al.	D32/30
D438,214	S *	2/2001	Gieseke et al.	D15/5
D440,294	S *	4/2001	Bilek	D23/365
6,419,718	B1	7/2002	Klug et al.	
D470,216	S *	2/2003	Gustafson et al.	D23/209
D471,623	S *	3/2003	Gieseke et al.	D23/365
D481,101	S *	10/2003	Boehrs et al.	D23/209
6,652,614	B2	11/2003	Gieseke et al.	
D497,972	S *	11/2004	Reynolds et al.	D23/209
6,837,920	B2	1/2005	Gieseke et al.	
6,977,006	B2*	12/2005	Reid	55/495
6,986,805	B2	1/2006	Gieseke et al.	

DESCRIPTION

FIG. 1 is a perspective view of the air filter element with lid; FIG. 2 is a side view thereof; FIG. 3 is a side view thereof showing the side opposite that shown in FIG. 2; FIG. 4 is a front view thereof; FIG. 5 is a back view thereof; FIG. 6 is a top view thereof; FIG. 7 is a bottom view thereof; and, FIG. 8 is another perspective view thereof. The features shown in dashed lines in the above described figures form no part of the claimed design.

1 Claim, 8 Drawing Sheets



(56)

References Cited

U.S. PATENT DOCUMENTS

8,460,425	B2	6/2013	Scott et al.	2012/0031060	A1	2/2012	Iddings et al.
8,480,778	B2	7/2013	Baseotto et al.	2013/0042588	A1	2/2013	Baseotto et al.
D691,252	S *	10/2013	Moredock et al.	2013/0239528	A1	9/2013	Coulonvaux et al.
			D23/365	2013/0247526	A1	9/2013	Coulonvaux et al.
				2013/0269302	A1	10/2013	Scott et al.

* cited by examiner

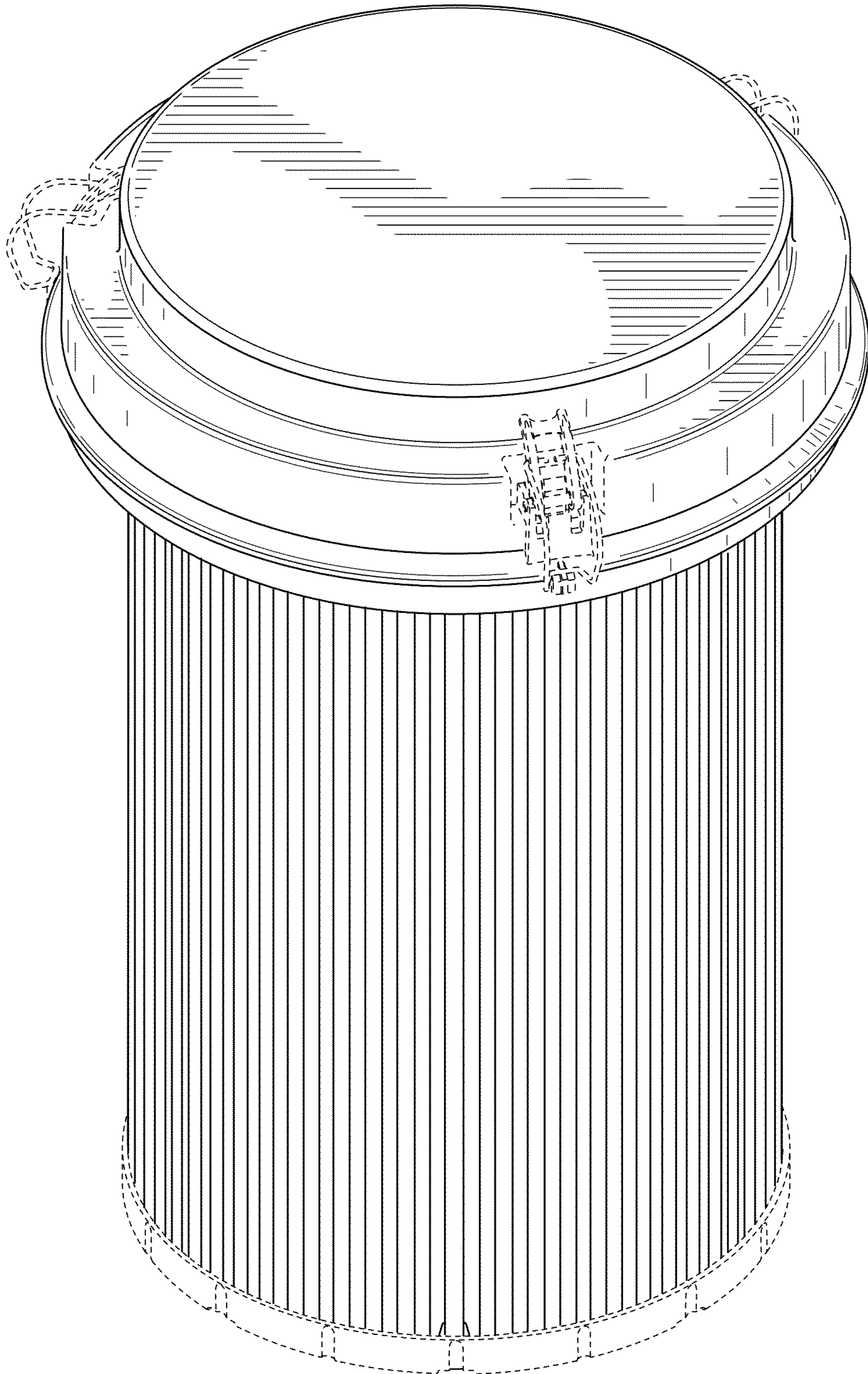


FIG. 1

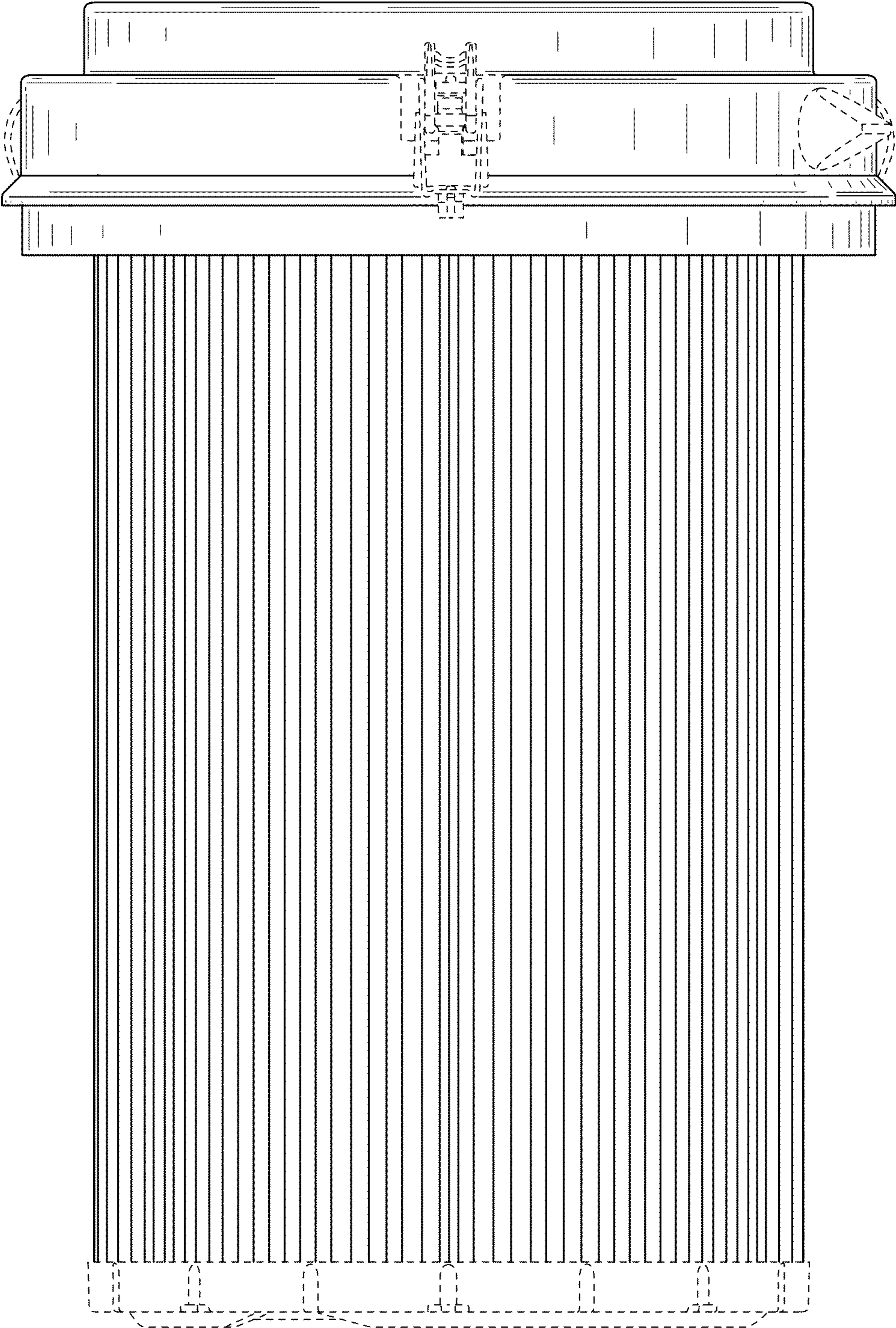


FIG. 2

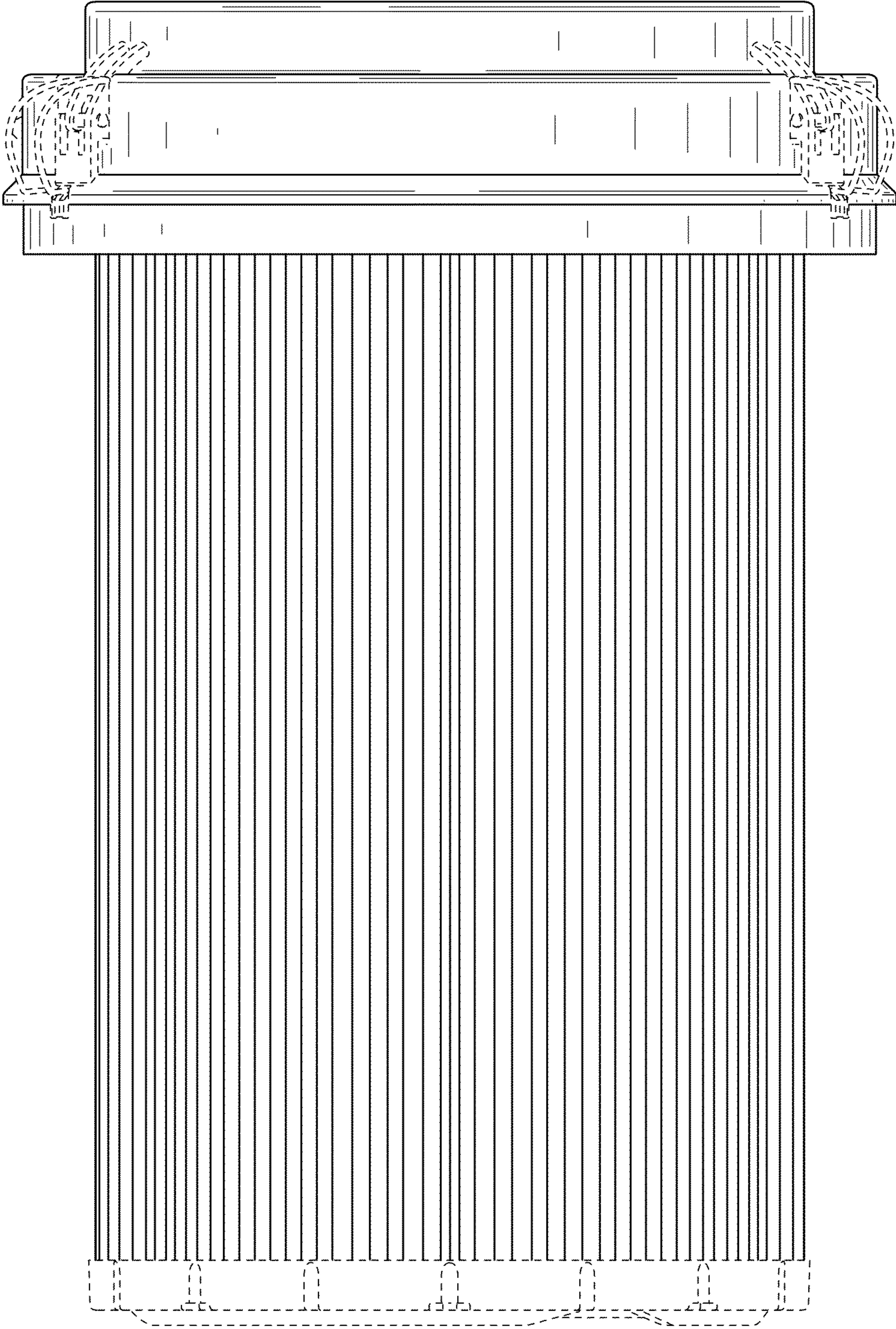


FIG. 3

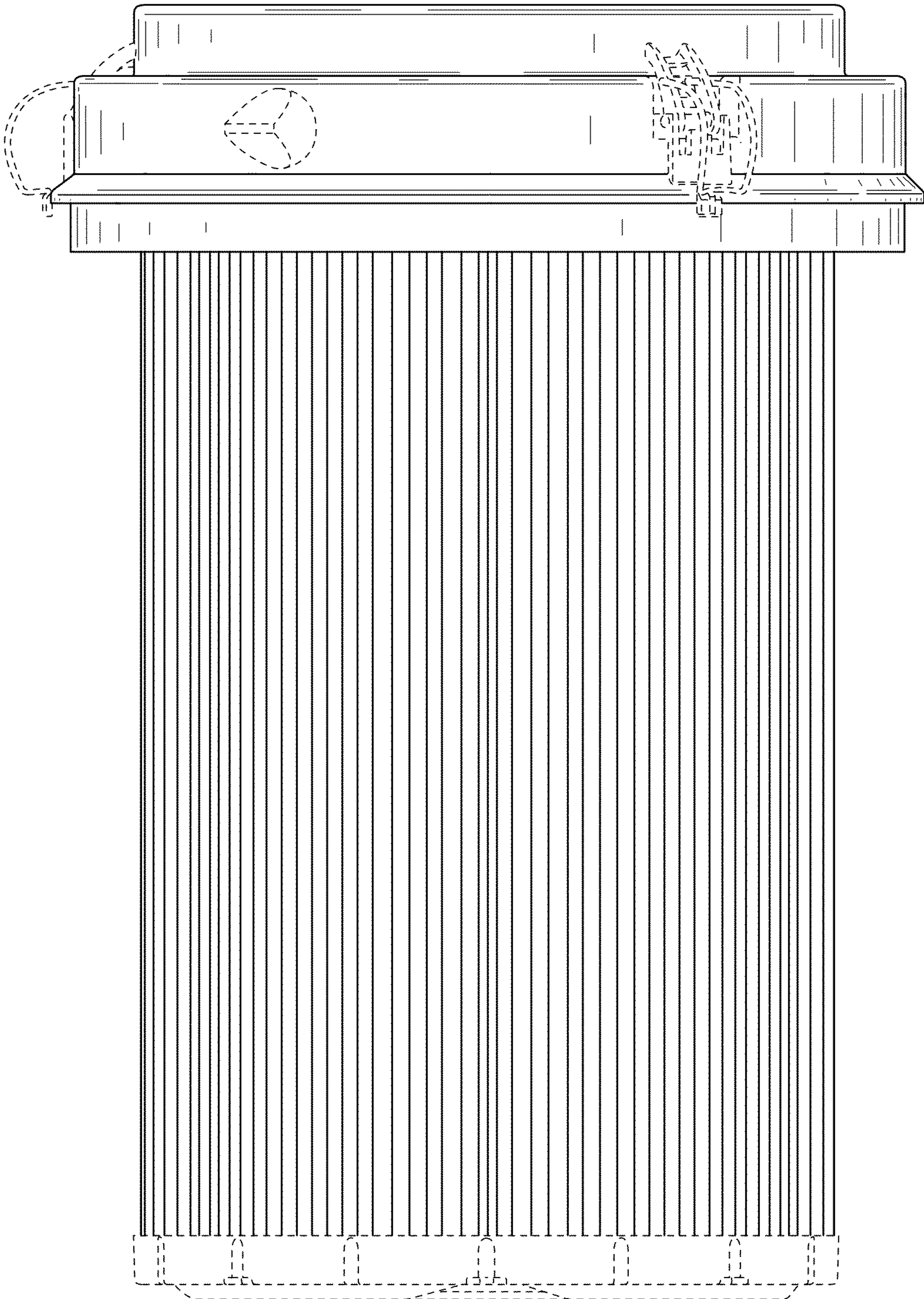


FIG. 4

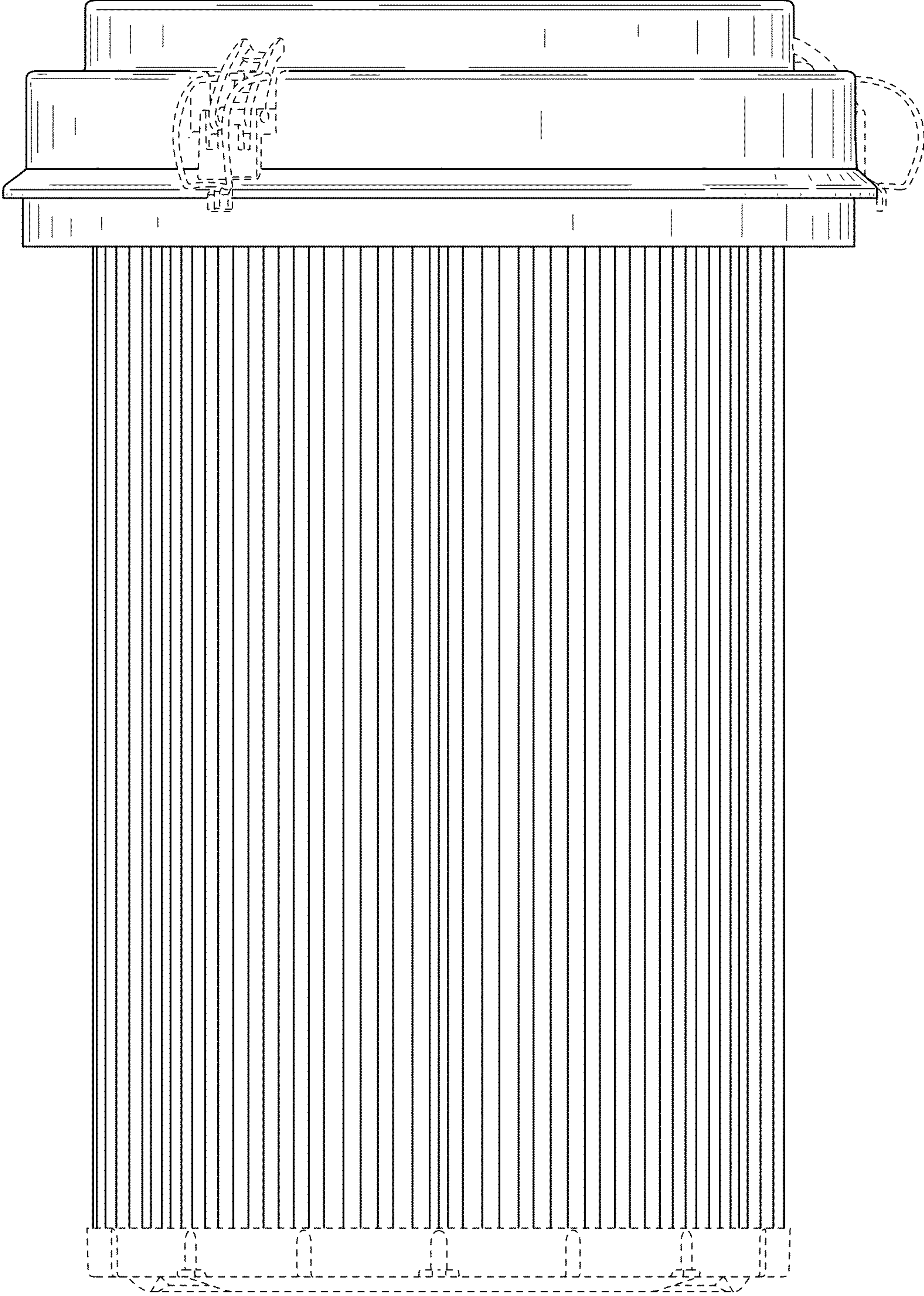


FIG. 5

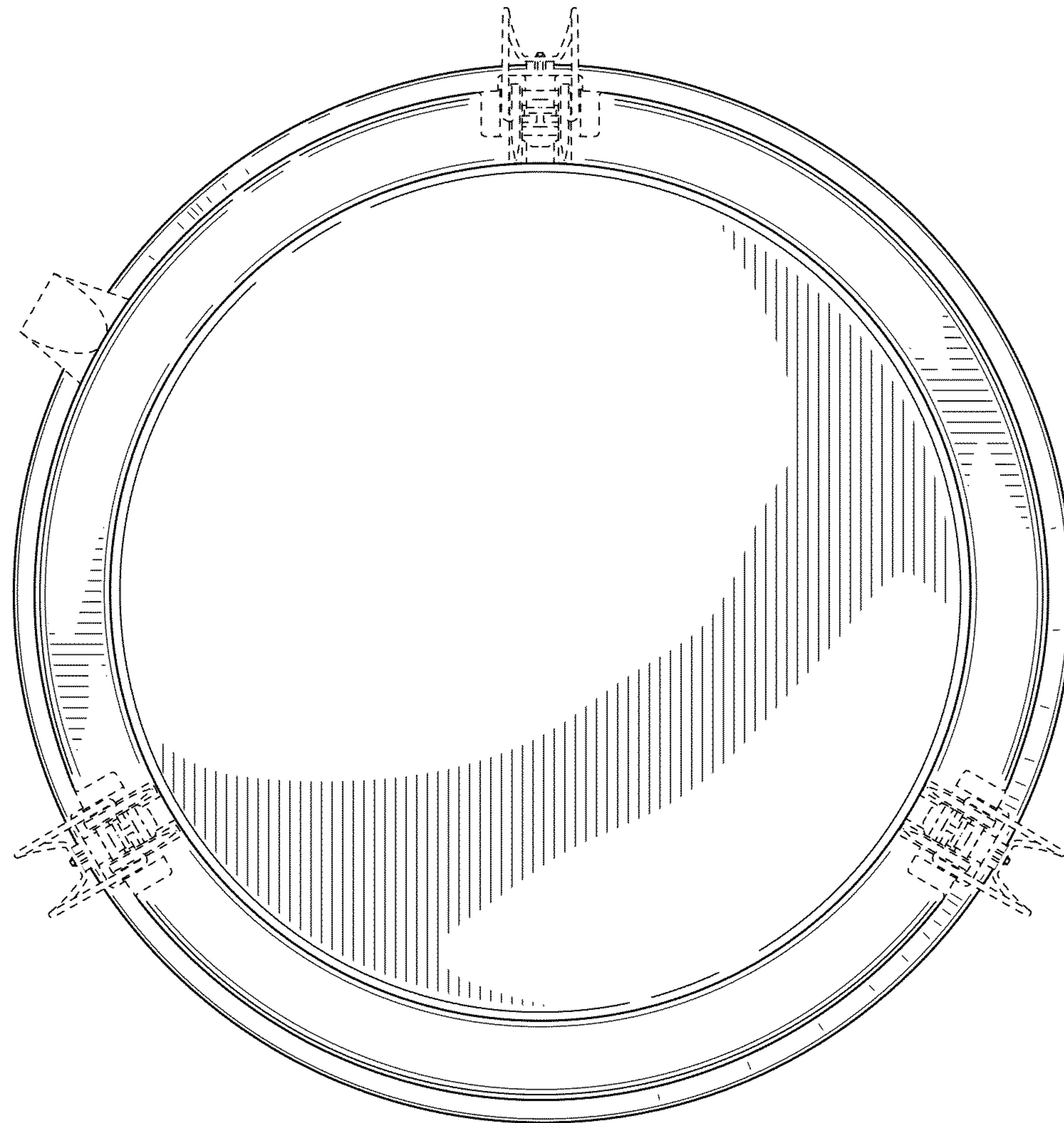


FIG. 6

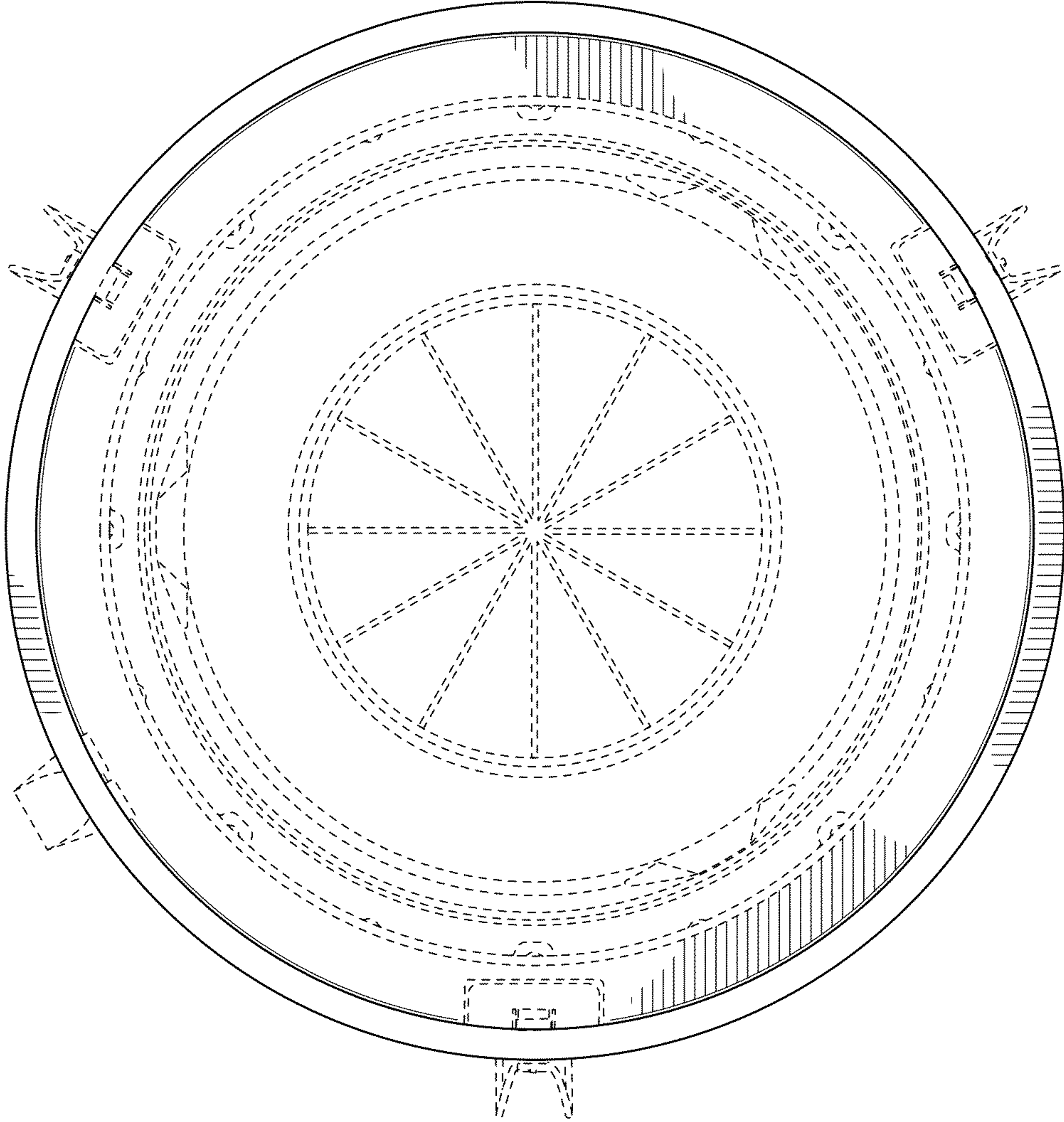


FIG. 7

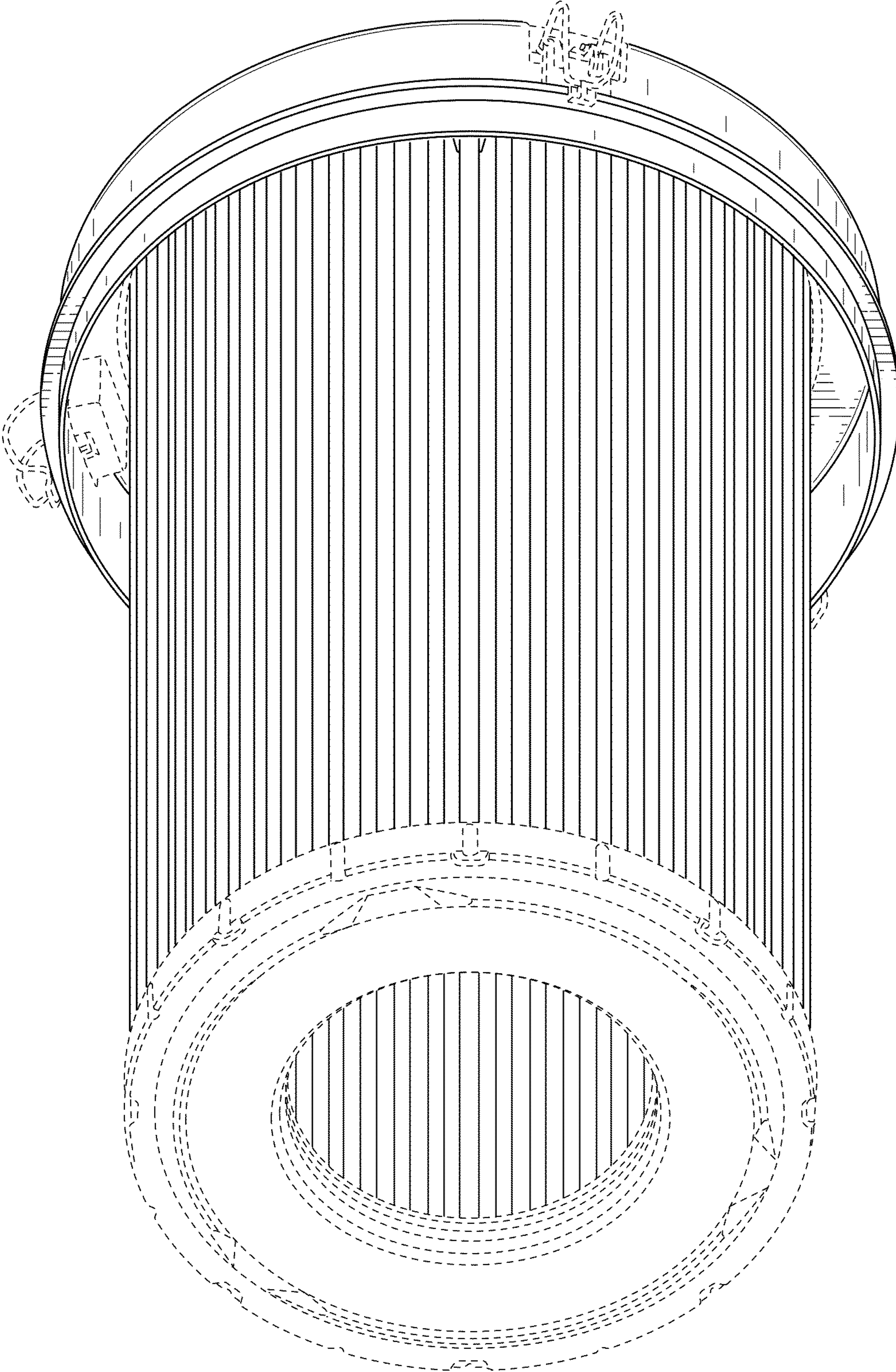


FIG. 8