



US00D717419S

(12) **United States Design Patent**
Choi et al.

(10) **Patent No.:** **US D717,419 S**

(45) **Date of Patent:** **** Nov. 11, 2014**

(54) **AIR CONDITIONER**

(71) Applicant: **Samsung Electronics Co., Ltd.**,
Suwon-Si (KR)

(72) Inventors: **Min Kyung Choi**, Seoul (KR); **Heejae Jeong**, Seongnam-si (KR)

(73) Assignee: **Samsung Electronics Co., Ltd.**,
Gyeonggi-do (KR)

(**) Term: **14 Years**

(21) Appl. No.: **29/454,900**

(22) Filed: **May 15, 2013**

(30) **Foreign Application Priority Data**

Nov. 20, 2012 (KR) 30-2012-0055446

Nov. 20, 2012 (KR) 30-2012-0055447

(51) **LOC (10) Cl.** **23-04**

(52) **U.S. Cl.**
USPC **D23/351**

(58) **Field of Classification Search**
USPC D23/314, 317, 332-333, 337, 351;
312/236; 62/259.1, 259.3, 259.4,
62/262-263, 304, 401, 515-516;
454/330-331, 349-350, 354

See application file for complete search history.

(56) **References Cited**

U.S. PATENT DOCUMENTS

D454,187 S *	3/2002	Wang et al.	D23/351
D481,783 S *	11/2003	Fok	D23/337
D554,745 S *	11/2007	Urfig	D23/351
D580,032 S *	11/2008	Kim et al.	D23/351
D683,005 S *	5/2013	Park et al.	D23/351
D689,993 S *	9/2013	Yoon et al.	D23/351

* cited by examiner

Primary Examiner — Brian N Vinson

(74) *Attorney, Agent, or Firm* — Harness, Dickey & Pierce

(57) **CLAIM**

The ornamental design for an air conditioner, as shown and described.

DESCRIPTION

FIG. 1 is the front/right-side/top perspective view of an air conditioner with closed vents showing our new design; FIG. 2 is the front-side elevational view thereof; FIG. 3 is the rear-side elevational view thereof; FIG. 4 is the left-side elevational view thereof; FIG. 5 is the right-side elevational view thereof; FIG. 6 is the top-side elevational view thereof; FIG. 7 is the bottom-side elevational view thereof; FIG. 8 shows that the vents are opened and the outlet on the top is popped up; FIG. 9 shows that the vents are opened by half; FIG. 10 and FIG. 11 show that the part(s) of the vents are working; FIG. 12 is the front/right-side/top perspective view of another embodiment of an air conditioner with closed vents showing our new design; FIG. 13 is the front-side elevational view thereof; FIG. 14 is the rear-side elevational view thereof; FIG. 15 is the left-side elevational view thereof; FIG. 16 is the right-side elevational view thereof; FIG. 17 is the top-side elevational view thereof; FIG. 18 is the bottom-side elevational view thereof; FIG. 19 shows that the vents are opened and the outlet on the top is popped up; FIG. 20 shows that the one of the vents is working; and, FIG. 21 shows that the vents are opened by half. The broken lines are for illustrative purposes only and form no part of the claimed design.

1 Claim, 19 Drawing Sheets

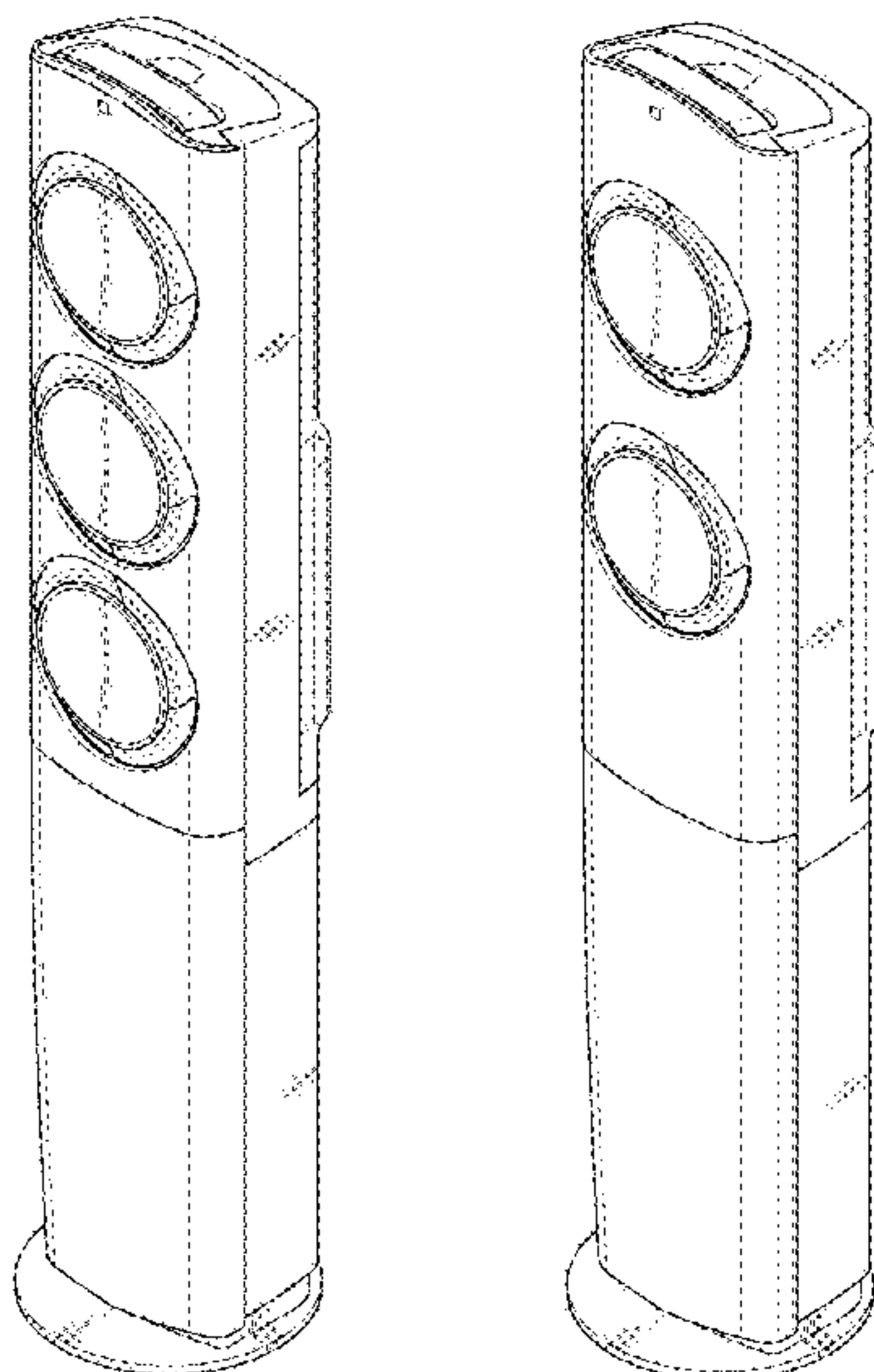


FIG. 1

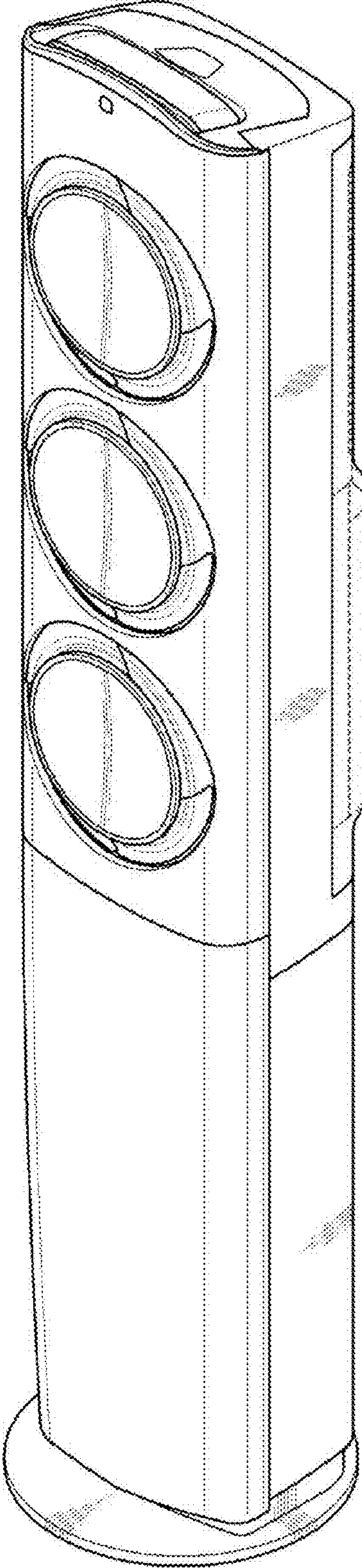


FIG. 2

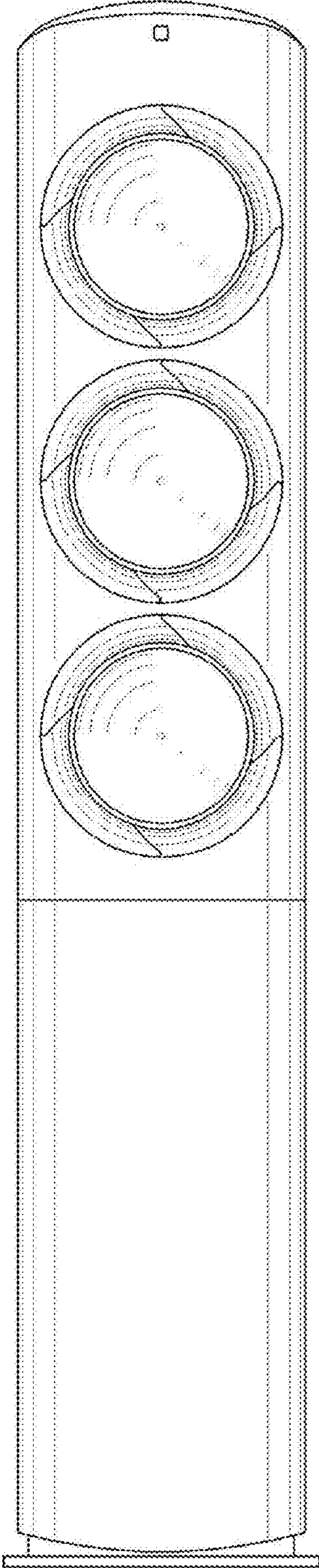


FIG. 3

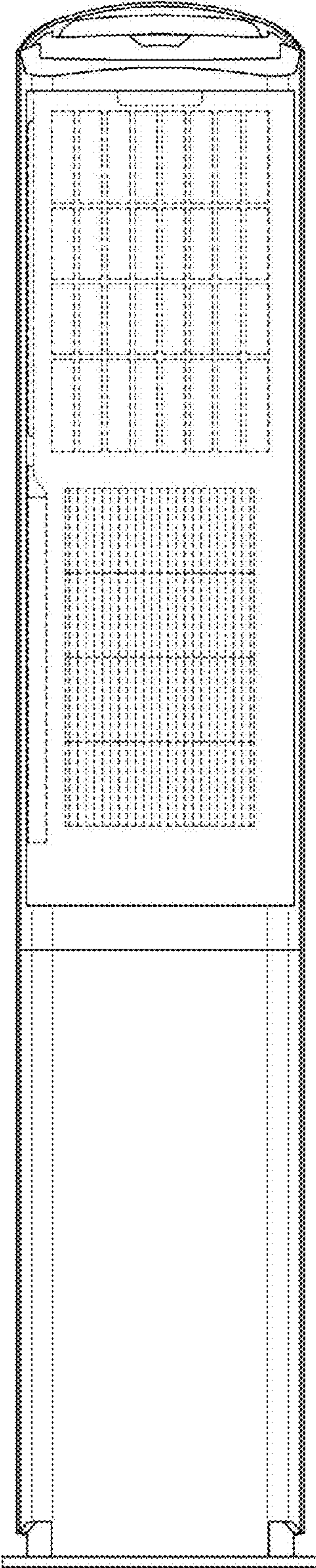


FIG. 4

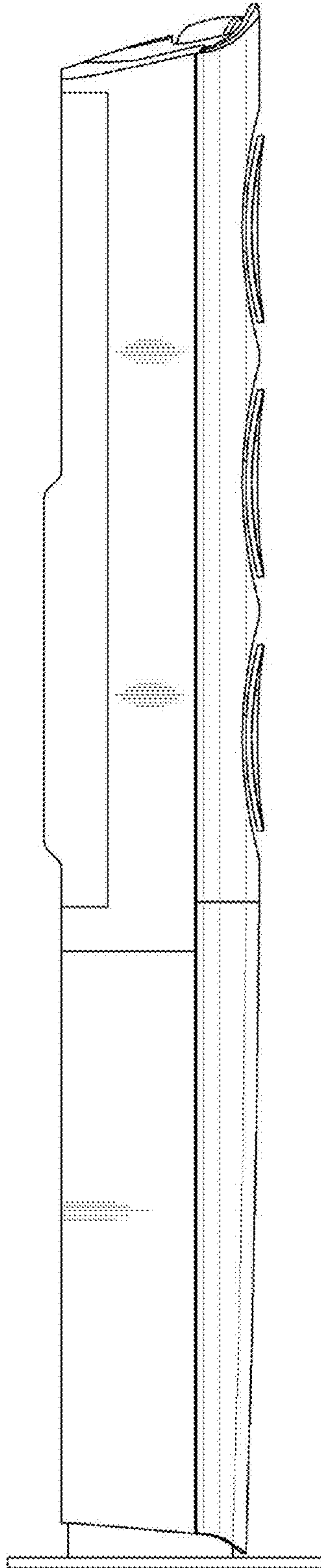


FIG. 5

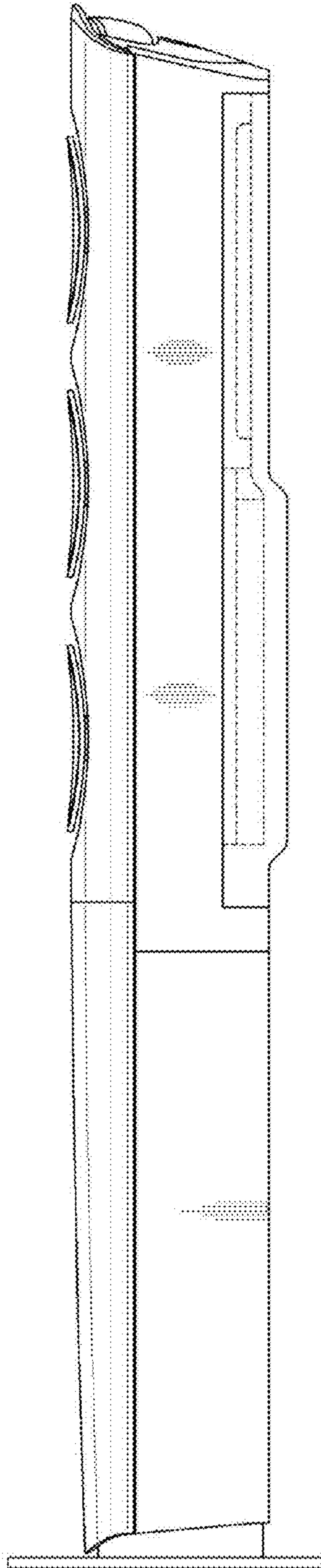


FIG. 6

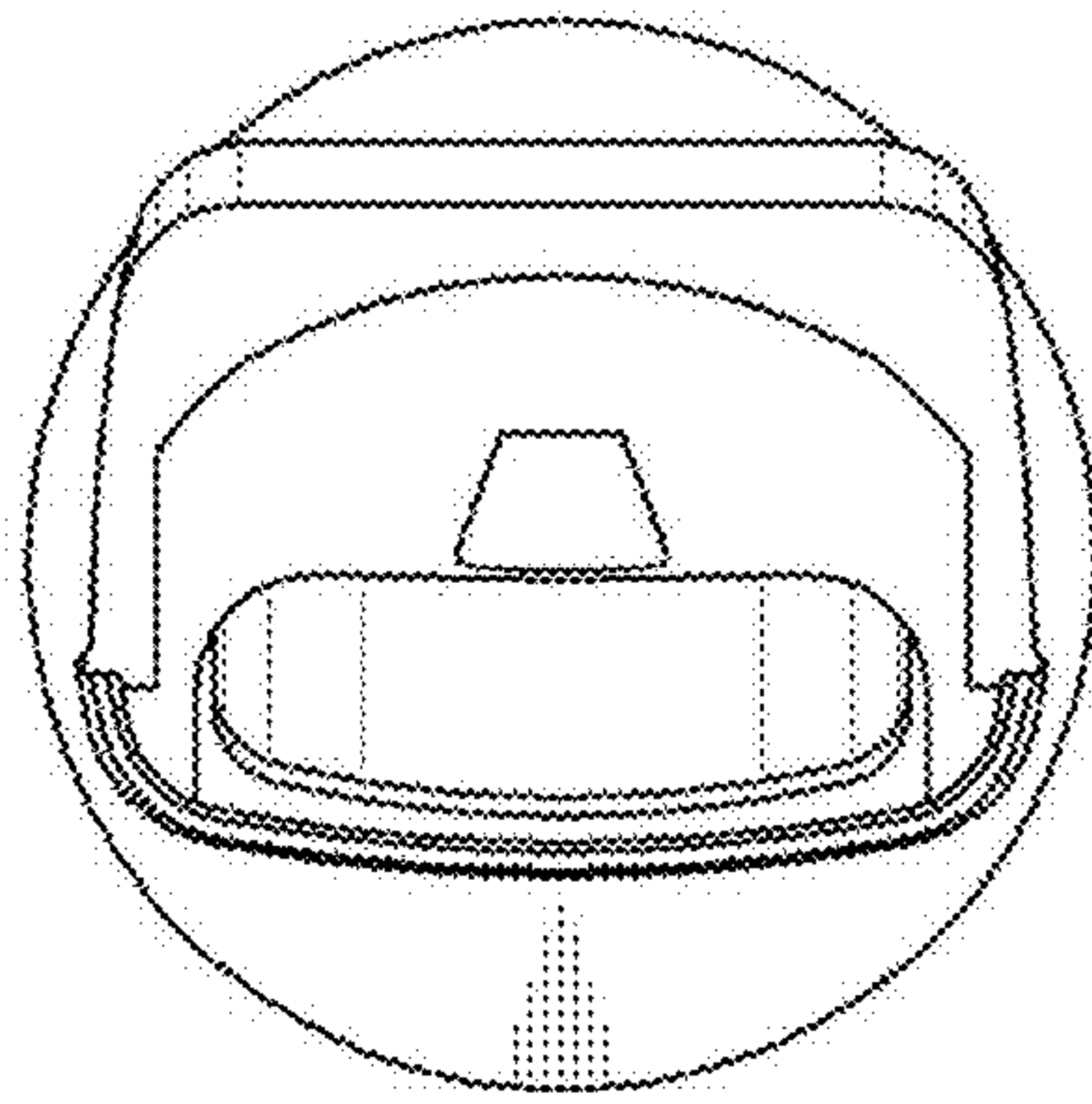


FIG. 7

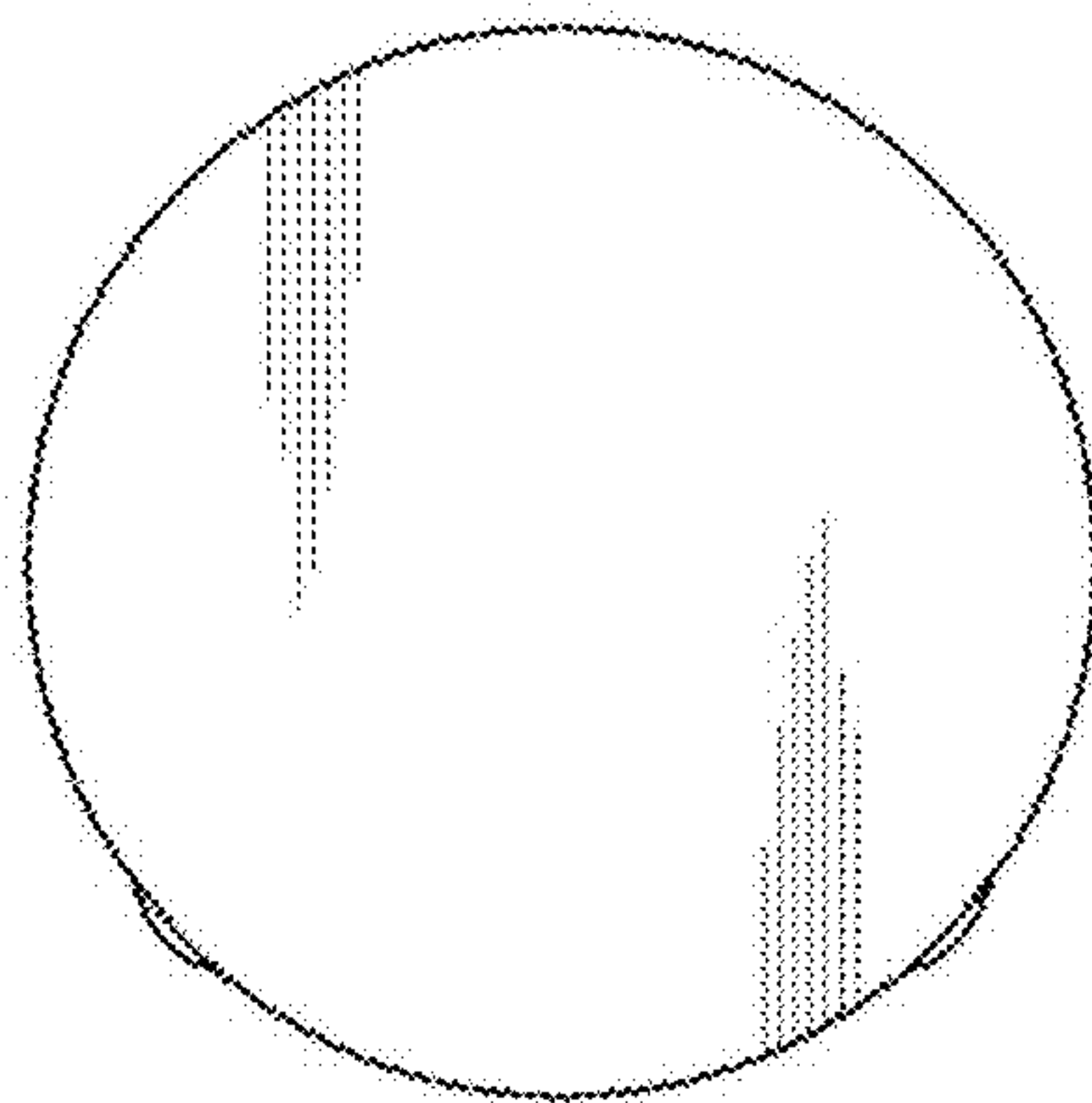


FIG. 8

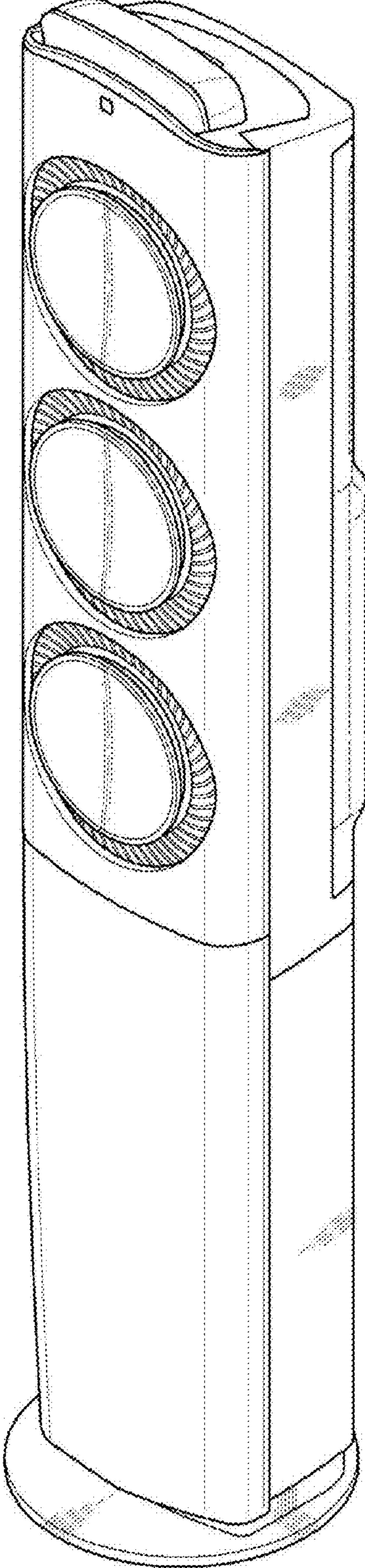


FIG. 9

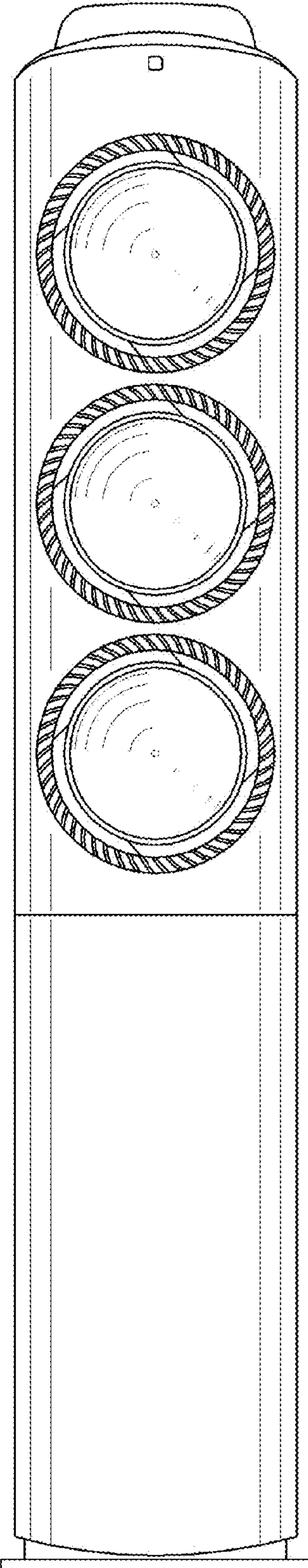


FIG. 10

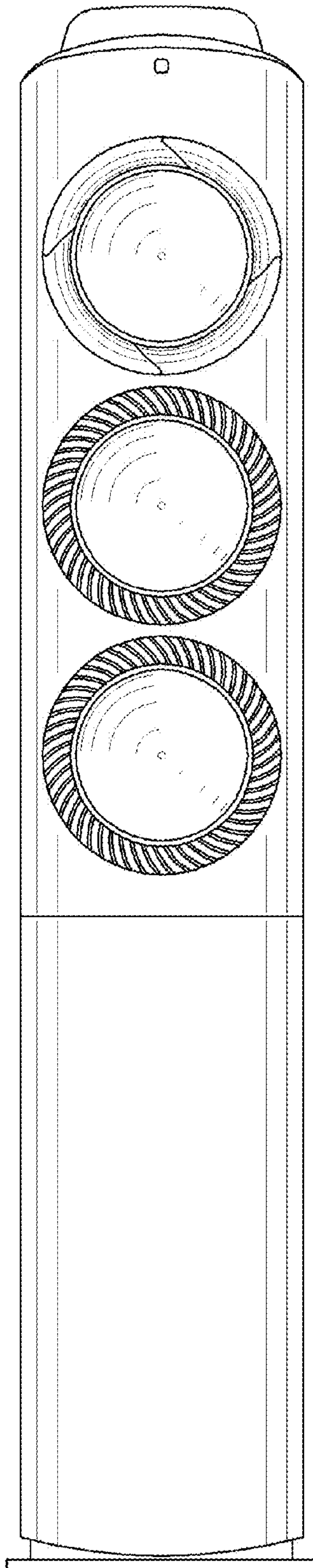


FIG. 11

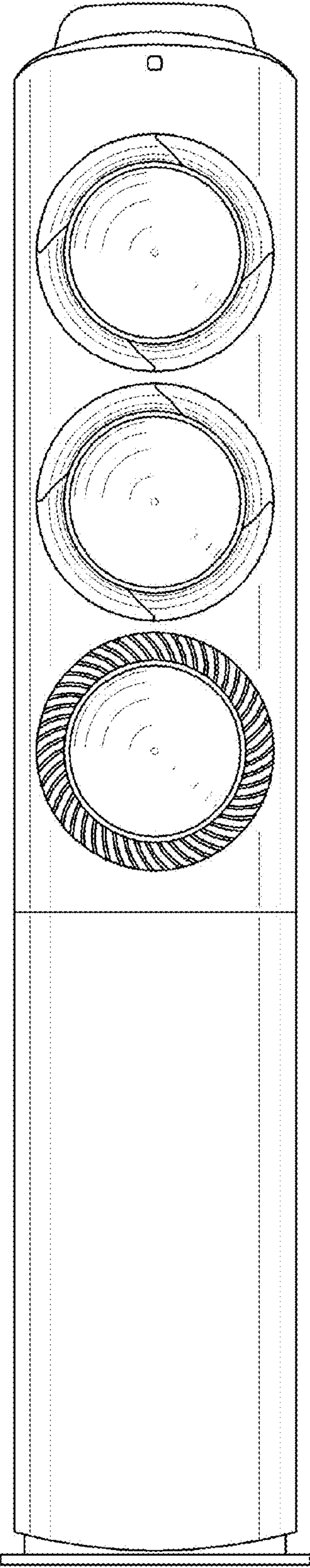


FIG. 12

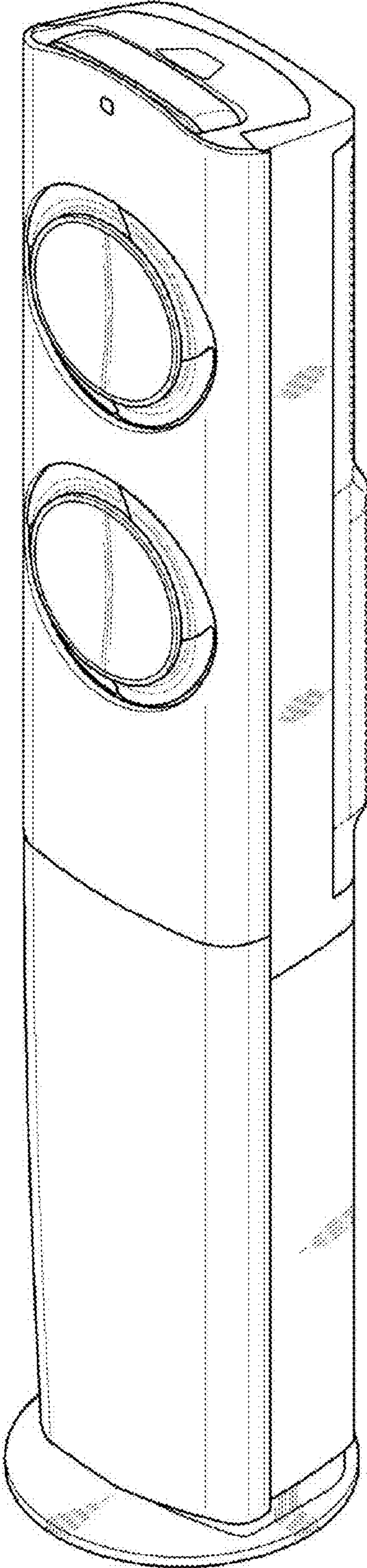


FIG. 13

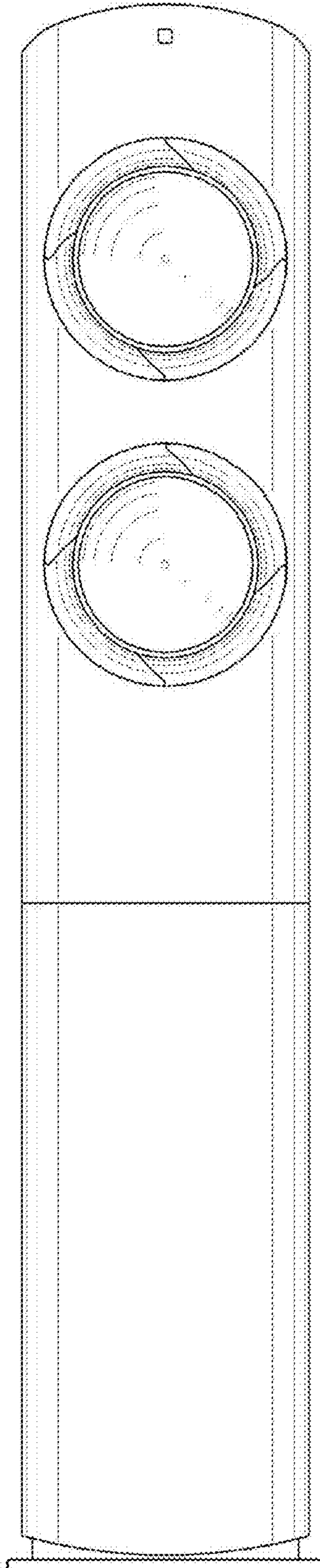


FIG. 14

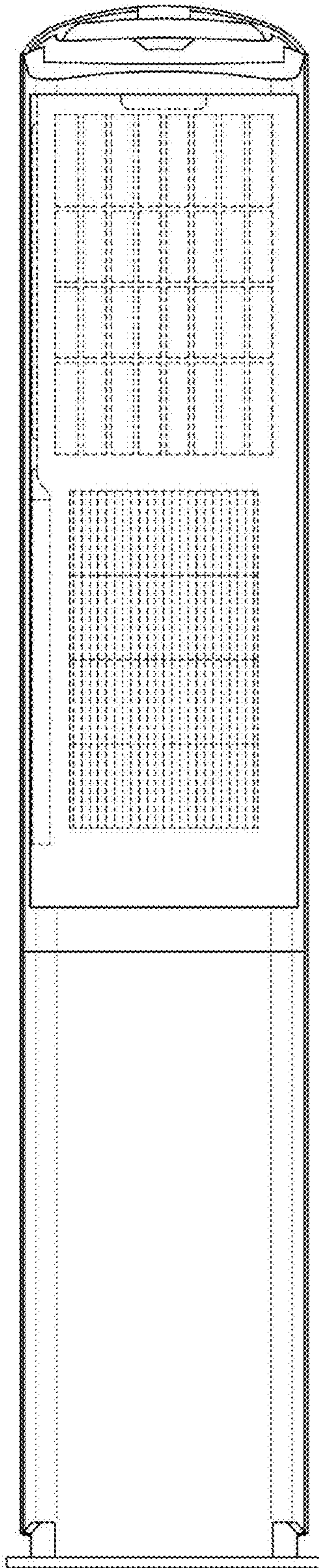


FIG. 15

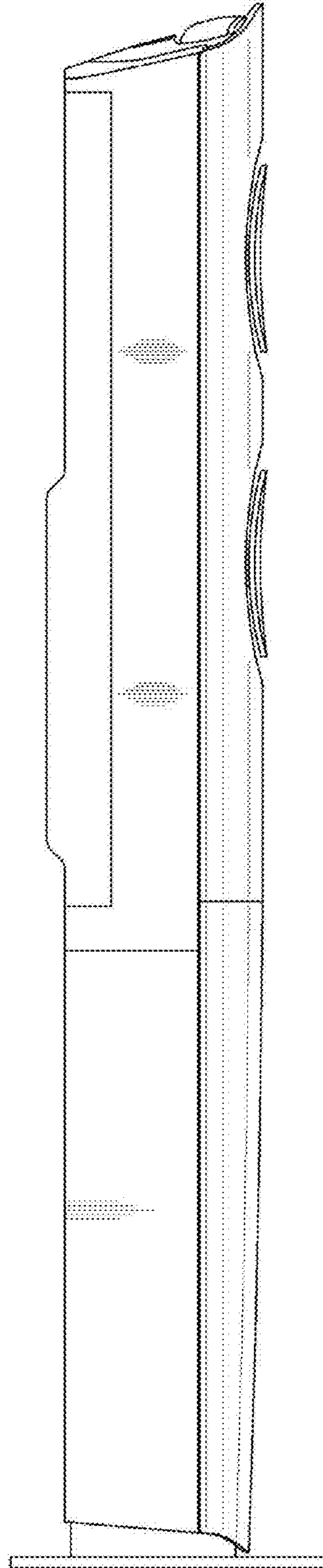


FIG. 16

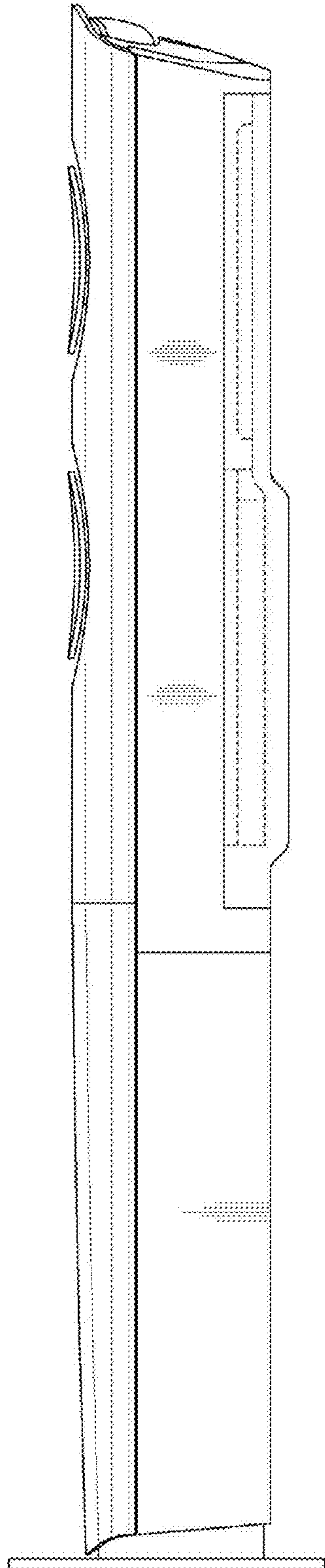


FIG. 17

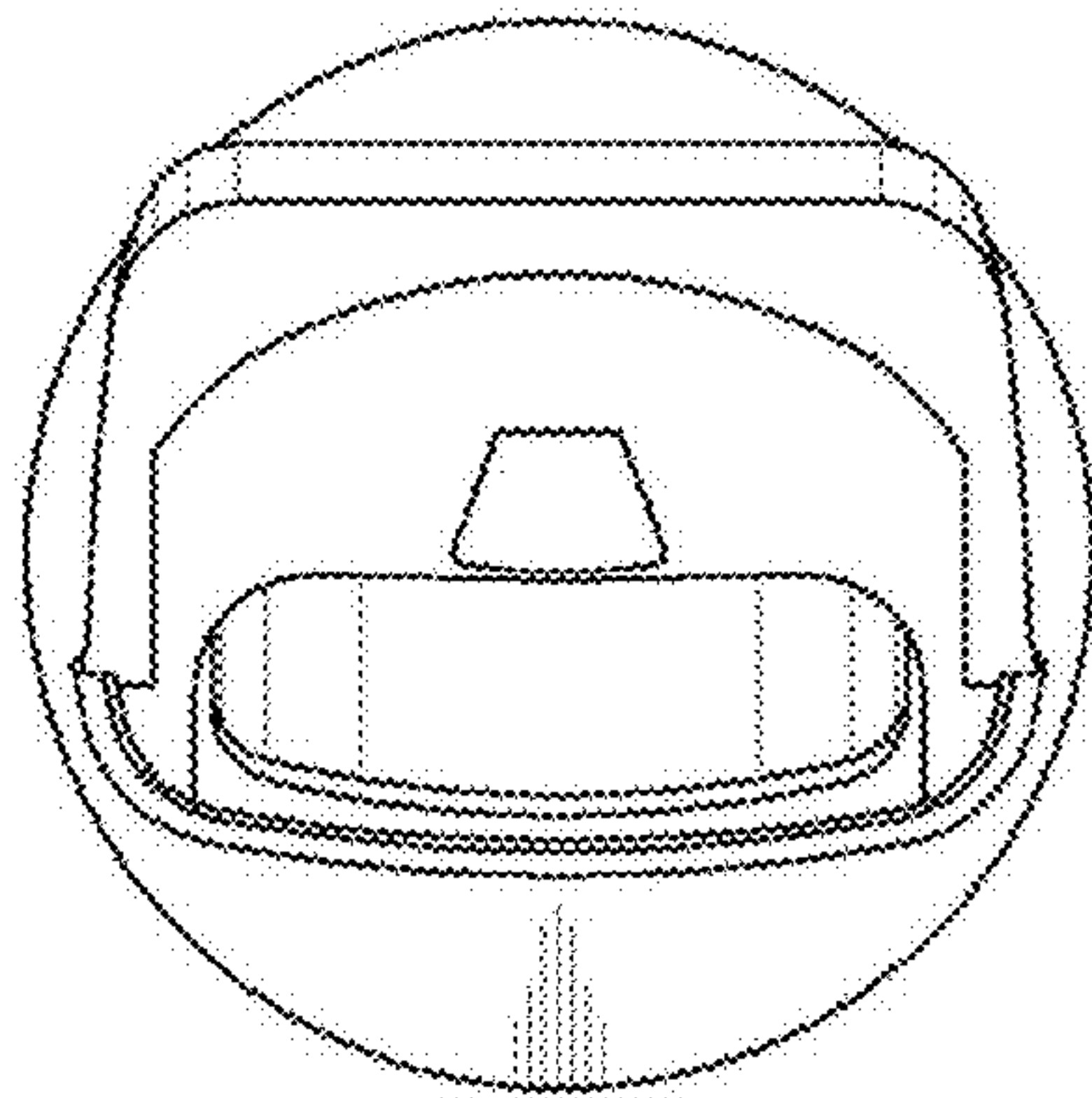


FIG. 18

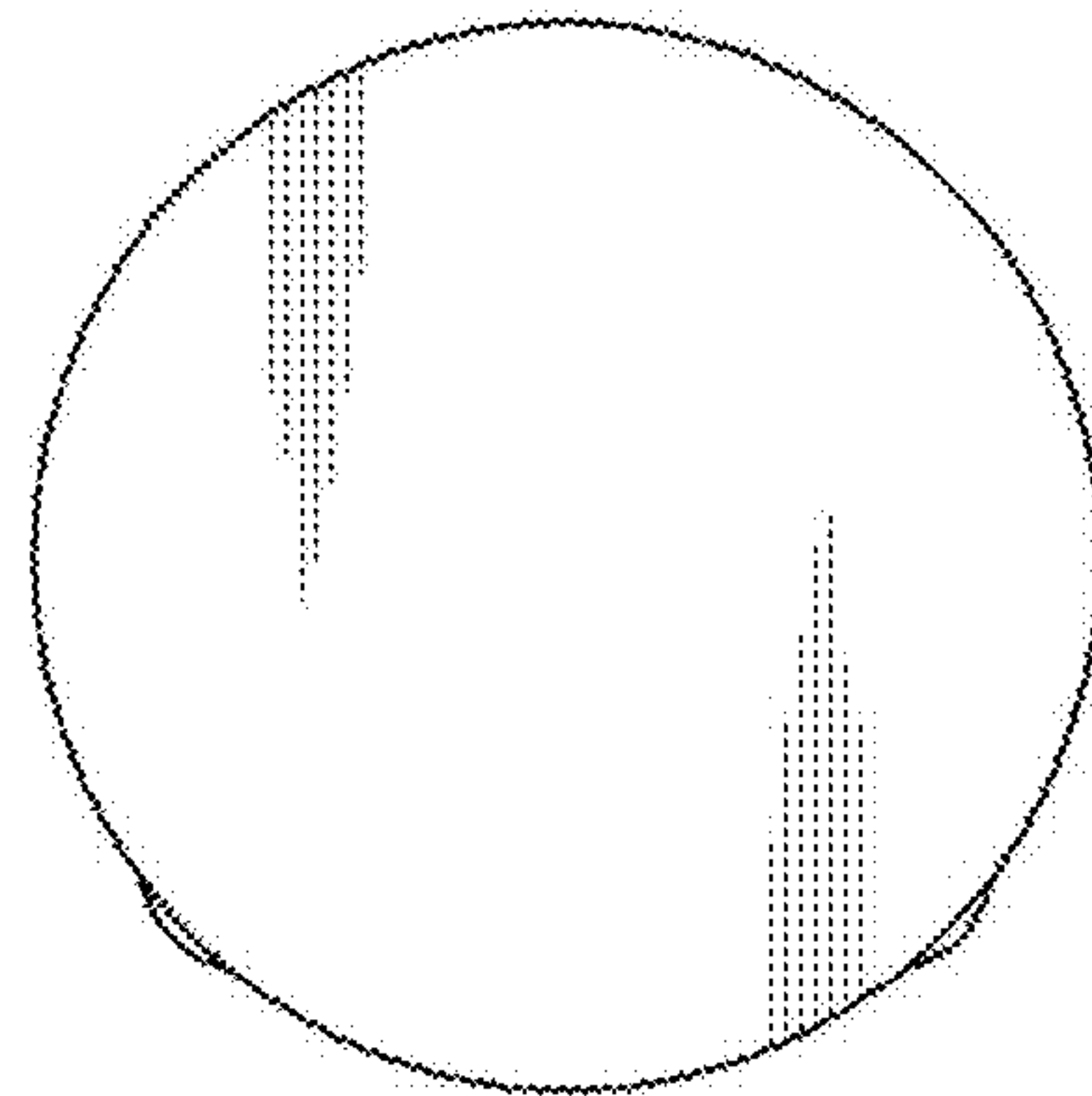


FIG. 19

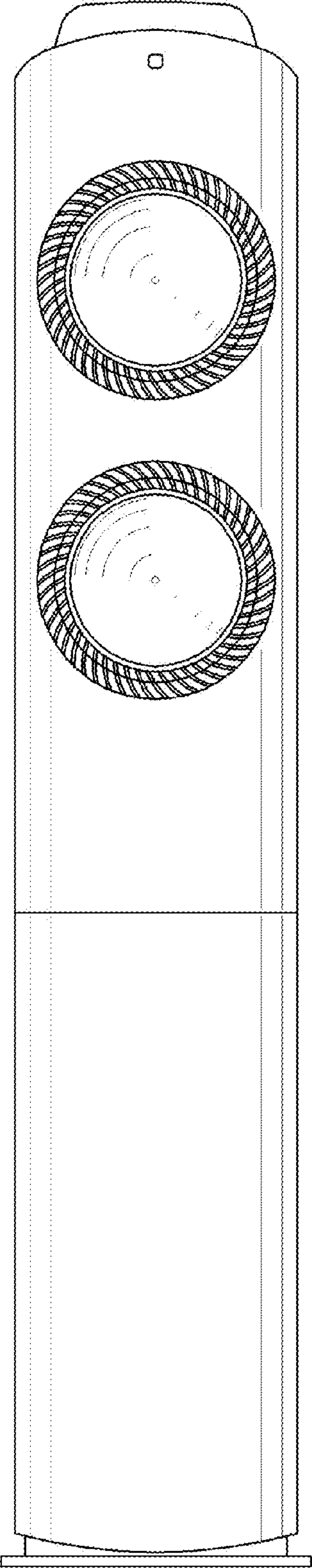


FIG. 20

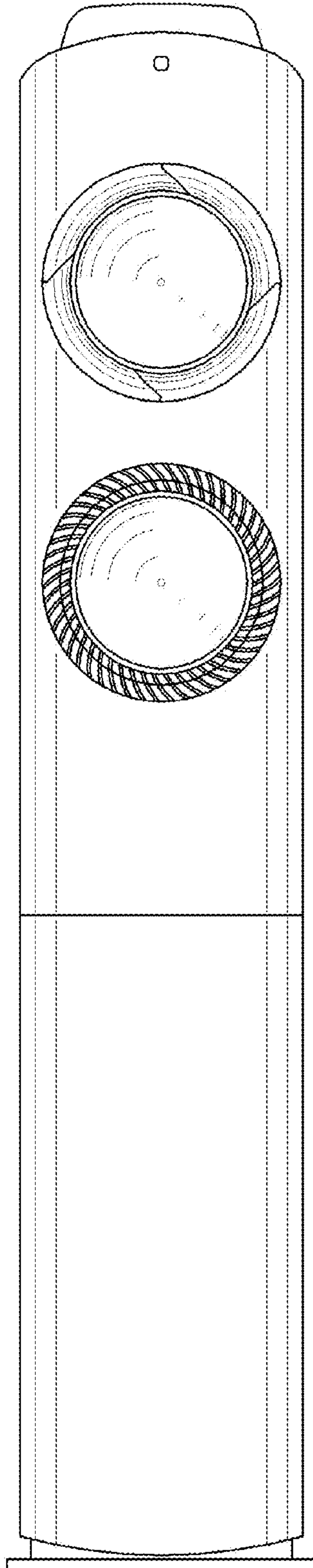


FIG. 21

