



US00D717416S

(12) **United States Design Patent**  
**Wakabayashi**

(10) **Patent No.:** **US D717,416 S**  
(45) **Date of Patent:** **\*\* Nov. 11, 2014**

(54) **INFRARED GAS HEATER**

(71) Applicant: **Shizuoka Seiki Co., Ltd.**, Shizuoka-ken  
(JP)

(72) Inventor: **Hiroaki Wakabayashi**, Shizuoka-ken  
(JP)

(73) Assignee: **Shizuoka Seiki Co., Ltd.**, Shizuoka-ken  
(JP)

(\*\*) Term: **14 Years**

(21) Appl. No.: **29/488,618**

(22) Filed: **Apr. 22, 2014**

(51) **LOC (10) Cl.** ..... **23-03**

(52) **U.S. Cl.**  
USPC ..... **D23/332**

(58) **Field of Classification Search**  
USPC ..... D23/314, 332, 335-350, 378, 370, 381,  
D23/354, 351, 386, 333, 328, 353, 361, 385,  
D23/417, 357; 392/365, 367, 424, 383, 411,  
392/360, 369, 373-376; 126/183, 110 B,  
126/91 A, 92 A, 500, 544, 547; 431/125

See application file for complete search history.

(56) **References Cited**

U.S. PATENT DOCUMENTS

D341,417 S	*	11/1993	Wortham	.....	D23/336
D484,586 S	*	12/2003	Intravatola	.....	D23/370
D597,639 S	*	8/2009	Chen Lee	.....	D23/328
D606,637 S	*	12/2009	Wakabayashi et al.	.....	D23/317
D686,713 S	*	7/2013	Kimpara	.....	D23/332

\* cited by examiner

*Primary Examiner* — T. Chase Nelson

*Assistant Examiner* — Ania Aman

(74) *Attorney, Agent, or Firm* — Schiff Hardin LLP

(57) **CLAIM**

We claim the ornamental design for an infrared gas heater, thereof, as shown and described.

**DESCRIPTION**

FIG. 1 is a front perspective view for a “infrared gas heater” showing my new design,  
FIG. 2 is a front view thereof,  
FIG. 3 is a rear view thereof,  
FIG. 4 is a left-side view thereof,  
FIG. 5 is a right-side view thereof,  
FIG. 6 is a top view thereof; and,  
FIG. 7 is a bottom view thereof.

**1 Claim, 7 Drawing Sheets**

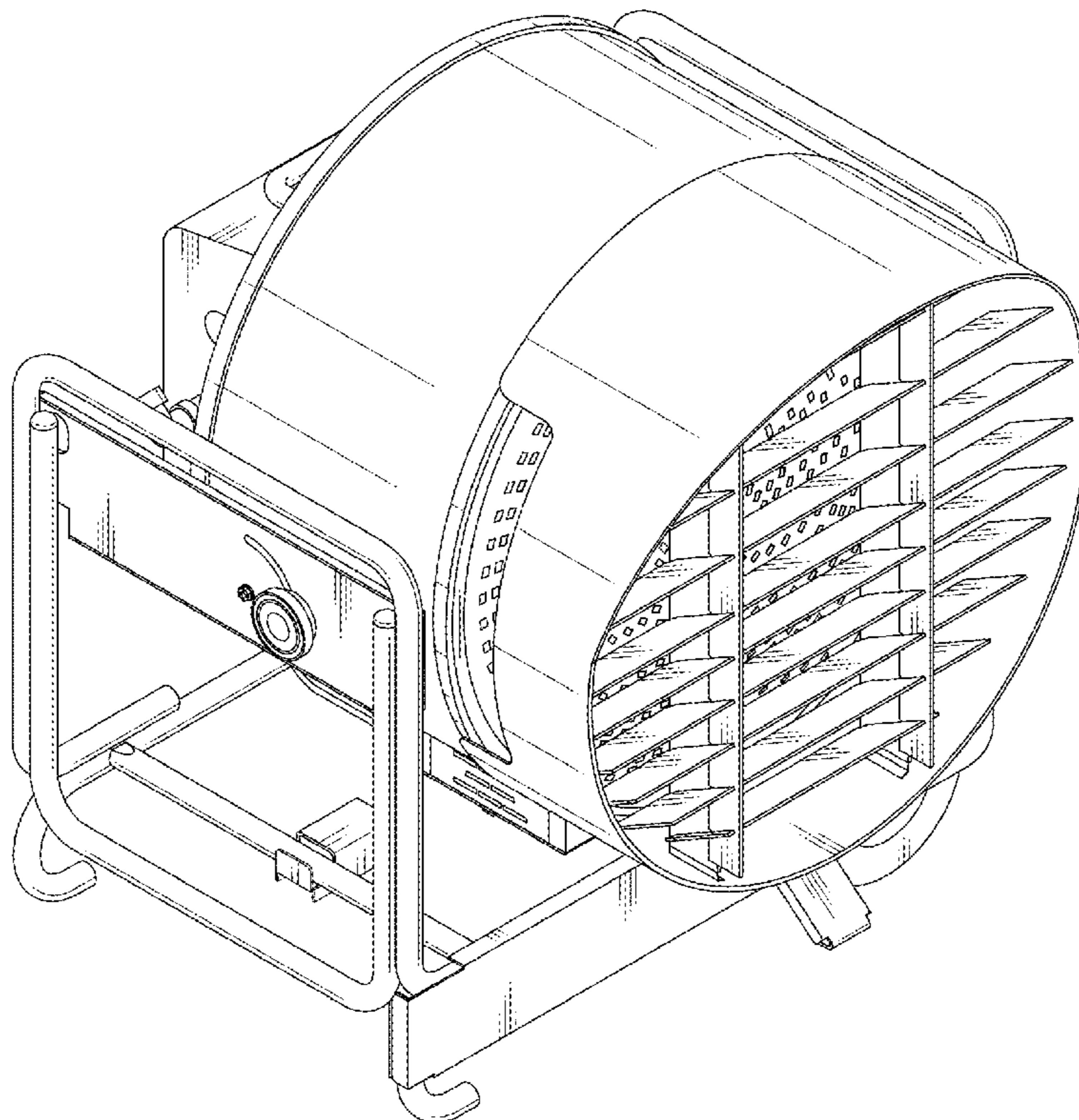


Fig. 1

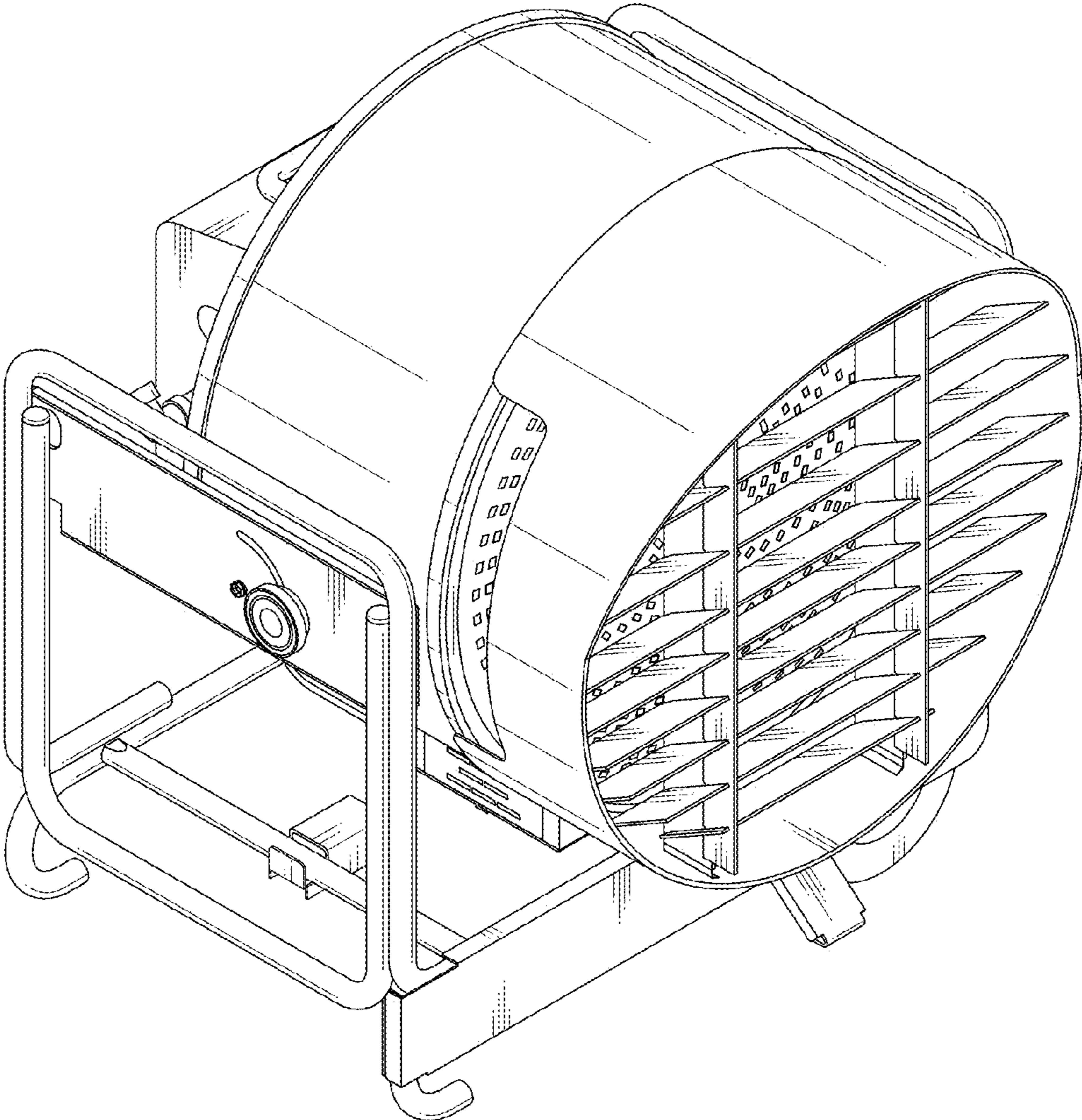


Fig. 2

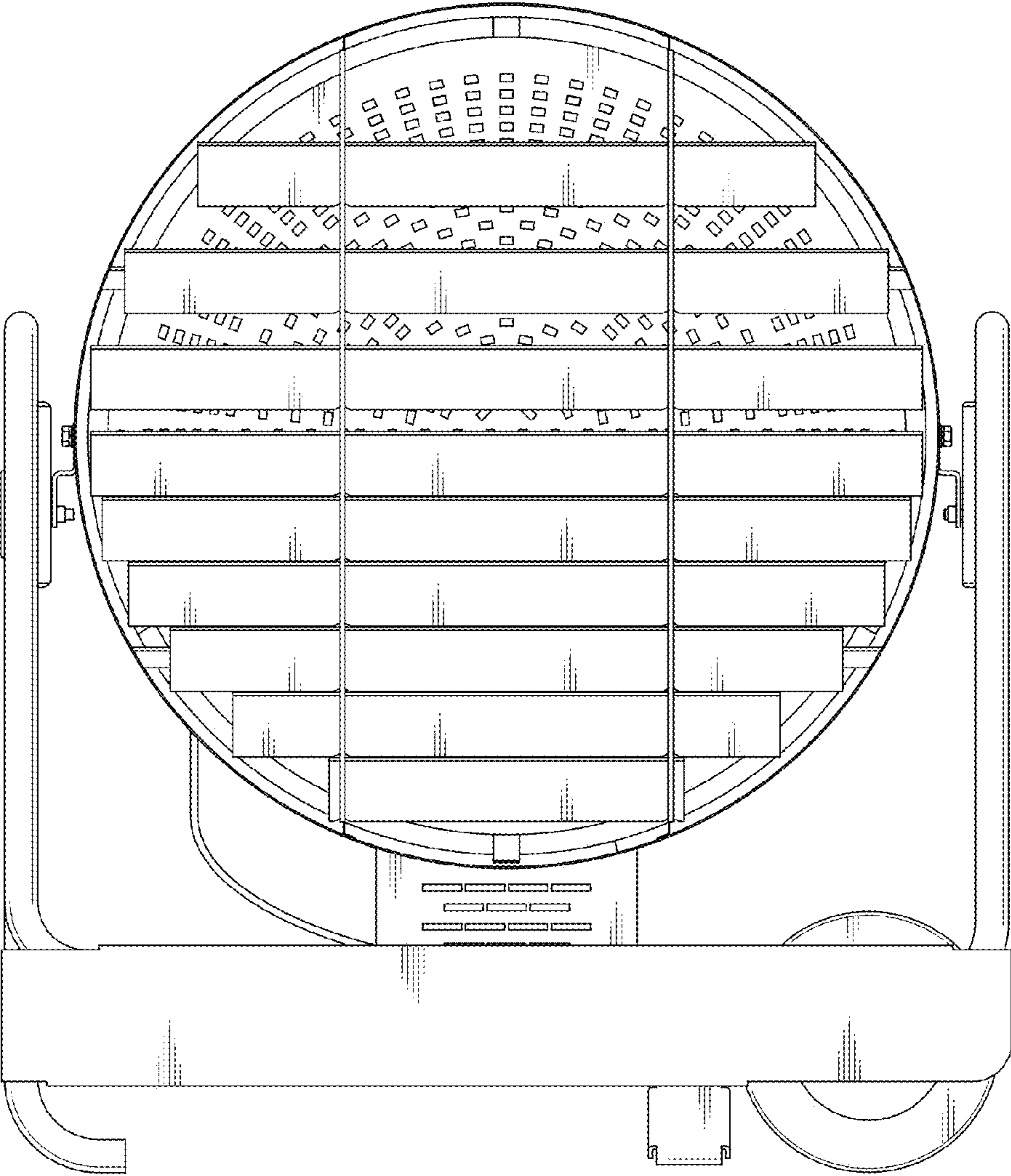


Fig. 3

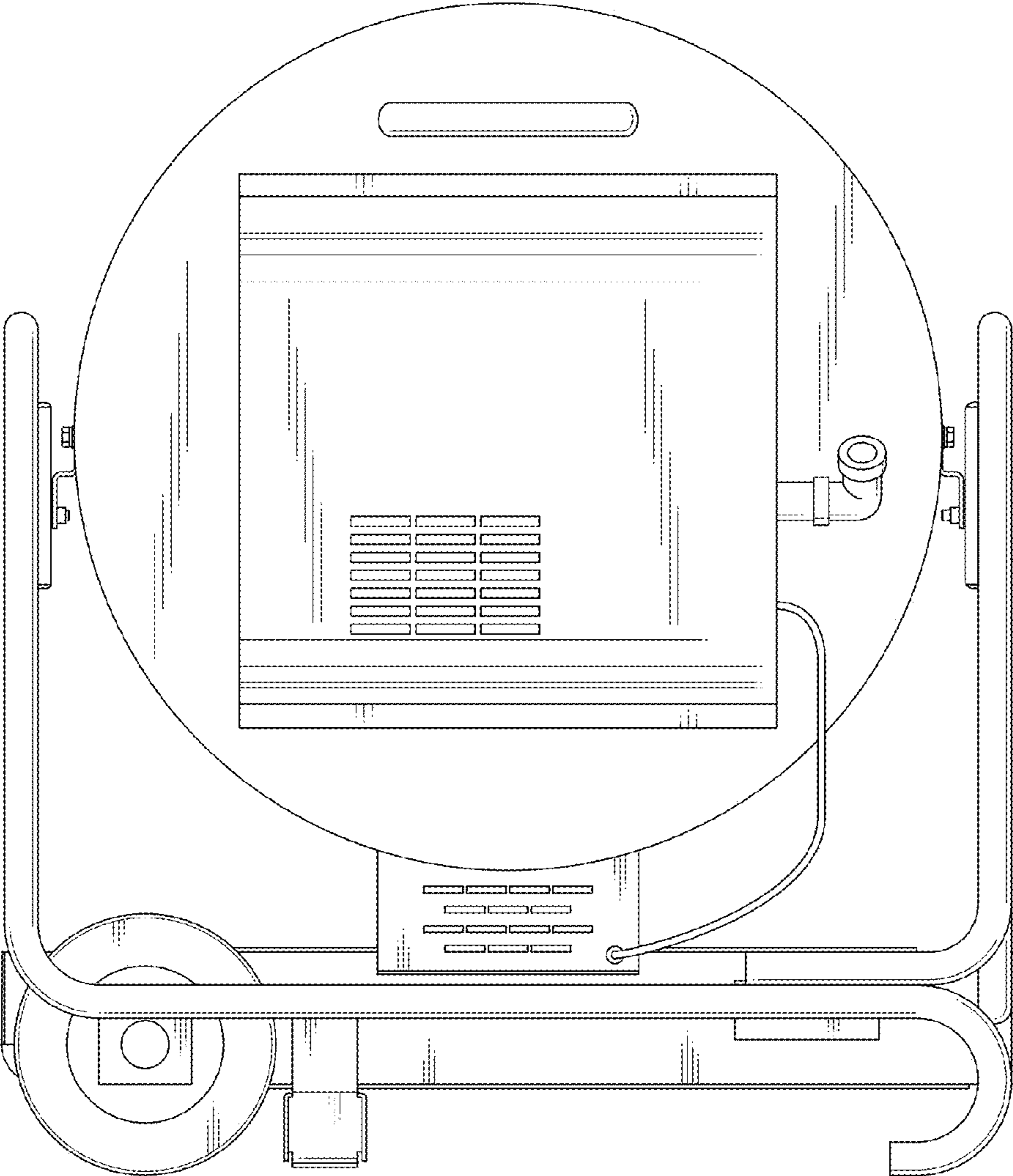


Fig. 4

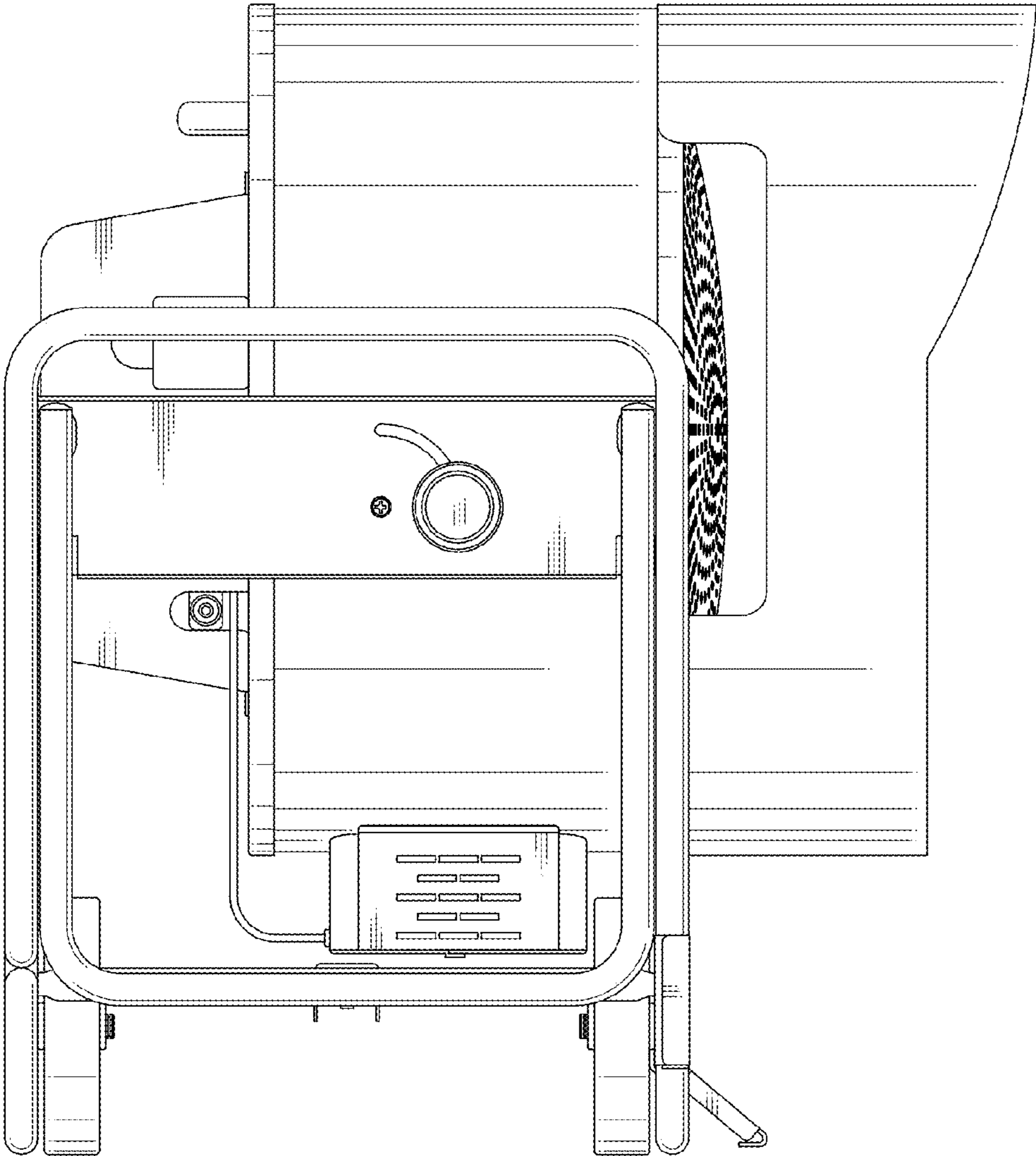


Fig. 5

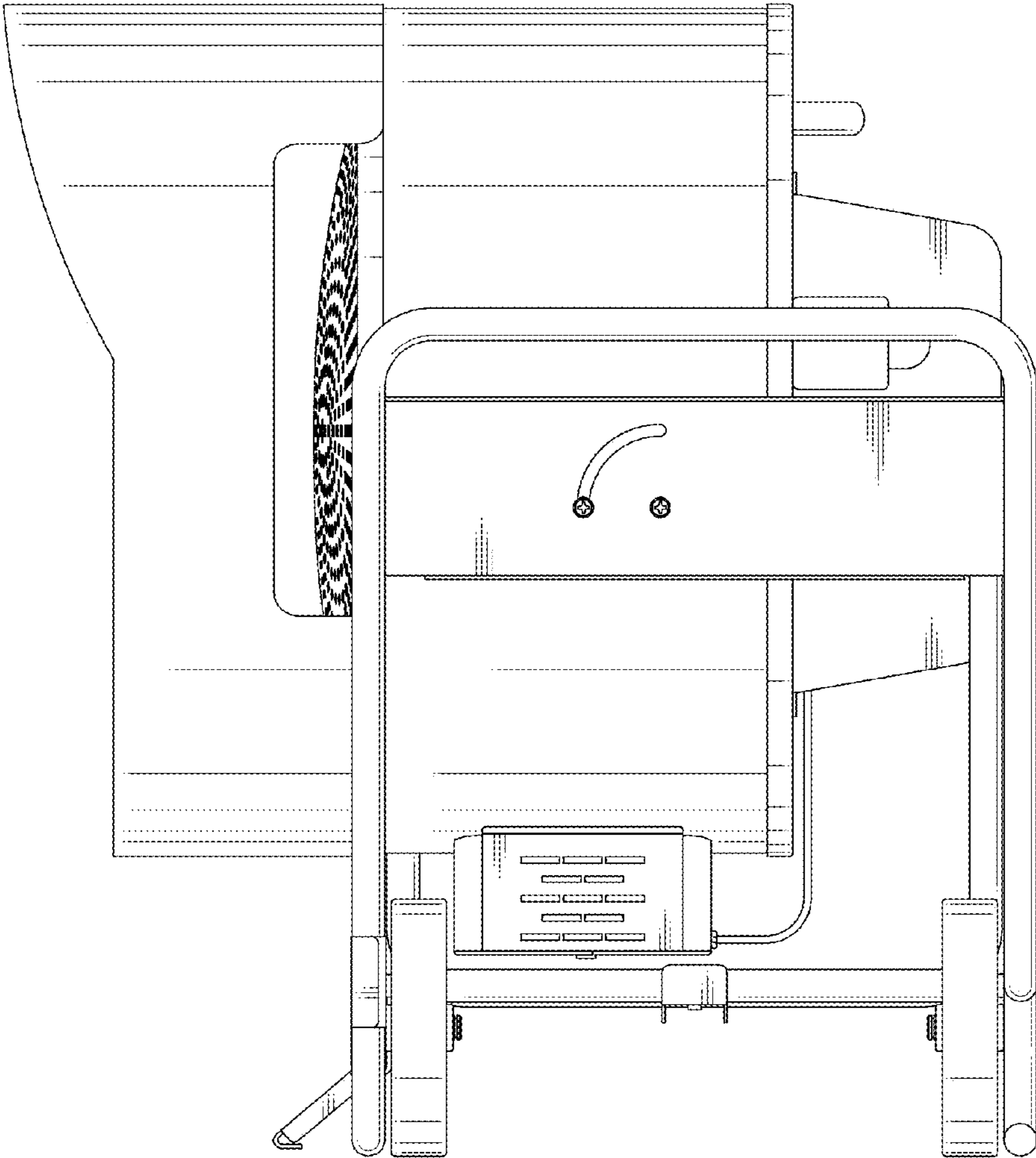


Fig. 6

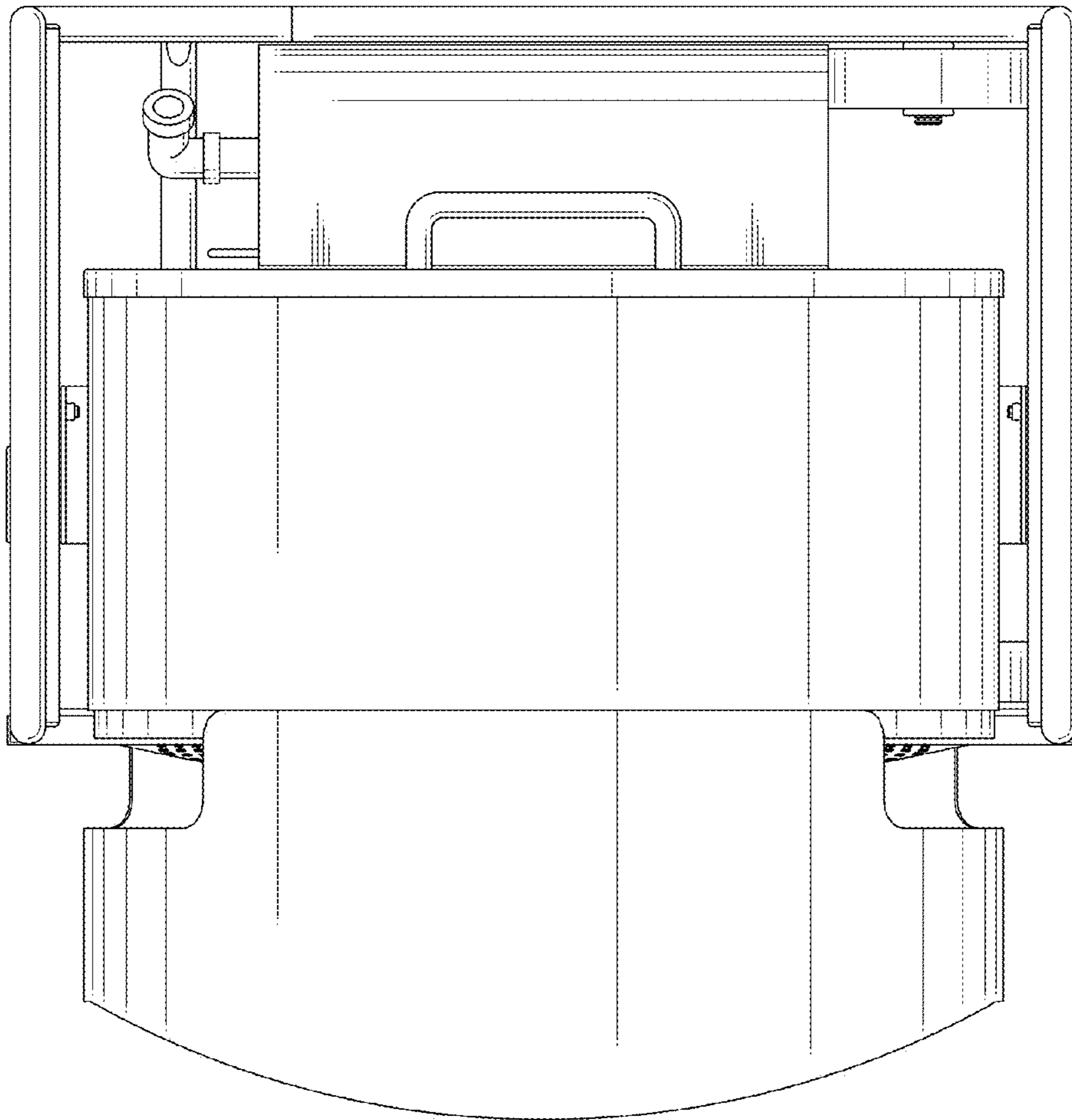


Fig. 7

