



US00D717414S

(12) **United States Design Patent**
van Doorn

(10) **Patent No.:** **US D717,414 S**

(45) **Date of Patent:** **** Nov. 11, 2014**

(54) **DOOR FOR A SHOWER CUBICLE**

(71) Applicant: **Peter van Doorn**, Hawthorn (AU)

(72) Inventor: **Peter van Doorn**, Hawthorn (AU)

(**) Term: **14 Years**

(21) Appl. No.: **29/439,404**

(22) Filed: **Dec. 11, 2012**

(30) **Foreign Application Priority Data**

Jun. 14, 2012 (AU) 12785/2012

(51) **LOC (10) Cl.** **23-02**

(52) **U.S. Cl.**
USPC **D23/305**

(58) **Field of Classification Search**
CPC A47K 3/20; A47K 3/00; A47K 3/28;
A47K 3/286; E05Y 2900/114
USPC D23/275, 283, 303-305; 4/552, 596,
4/661
See application file for complete search history.

(56) **References Cited**

U.S. PATENT DOCUMENTS

| | | | | |
|-----------|------|---------|---------------|---------|
| 5,642,959 | A * | 7/1997 | Greferath | 403/388 |
| 6,618,871 | B2 * | 9/2003 | Kopacz et al. | 4/607 |
| D498,834 | S * | 11/2004 | Rooke et al. | D23/304 |
| D544,585 | S * | 6/2007 | Lebrun et al. | D23/283 |
| D567,342 | S * | 4/2008 | Van Doorn | D23/283 |
| 7,849,531 | B2 * | 12/2010 | Rooke et al. | 4/614 |

* cited by examiner

Primary Examiner — Robert Delehanty

(74) *Attorney, Agent, or Firm* — James Faier; Martin Faier; Faier & Faier PC

(57) **CLAIM**

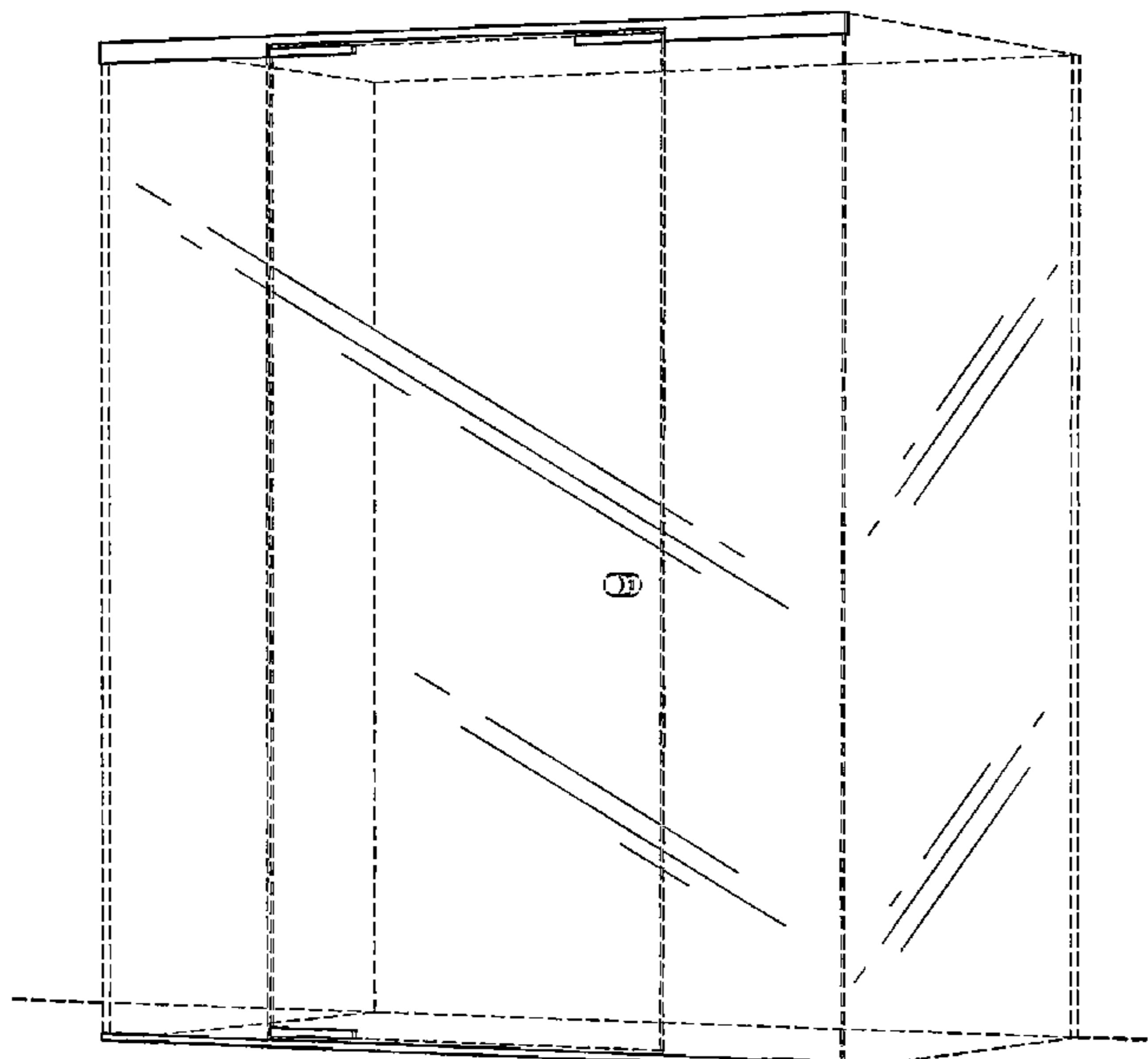
The ornamental design for the door for a shower cubicle, as shown and described.

DESCRIPTION

FIG. 1 is a front perspective view of a first embodiment of the door for a shower cubicle invention;
 FIG. 2 is a front perspective view of a first embodiment of the door for a shower cubicle invention with said door in the open position;
 FIG. 3 is a rear perspective view of a first embodiment of the door for a shower cubicle invention;
 FIG. 4 is a front elevation of a first embodiment of the door for a shower cubicle invention;
 FIG. 5 is rear elevation of a first embodiment of the door for a shower cubicle invention;
 FIG. 6 is a left side elevation of a first embodiment of the door for a shower cubicle invention;
 FIG. 7 is a right side elevation of a first embodiment of the door for a shower cubicle invention;
 FIG. 8 is a top plan view of a first embodiment of the door for a shower cubicle invention;
 FIG. 9 is a bottom plan view of a first embodiment of the door for a shower cubicle invention; and,
 FIG. 10 is a front perspective view of a second embodiment of the door for a shower cubicle invention.

Structure that is not part of the claimed design, but is considered necessary to show the environment in which the design is associated, is represented in the drawings by broken lines.

1 Claim, 10 Drawing Sheets



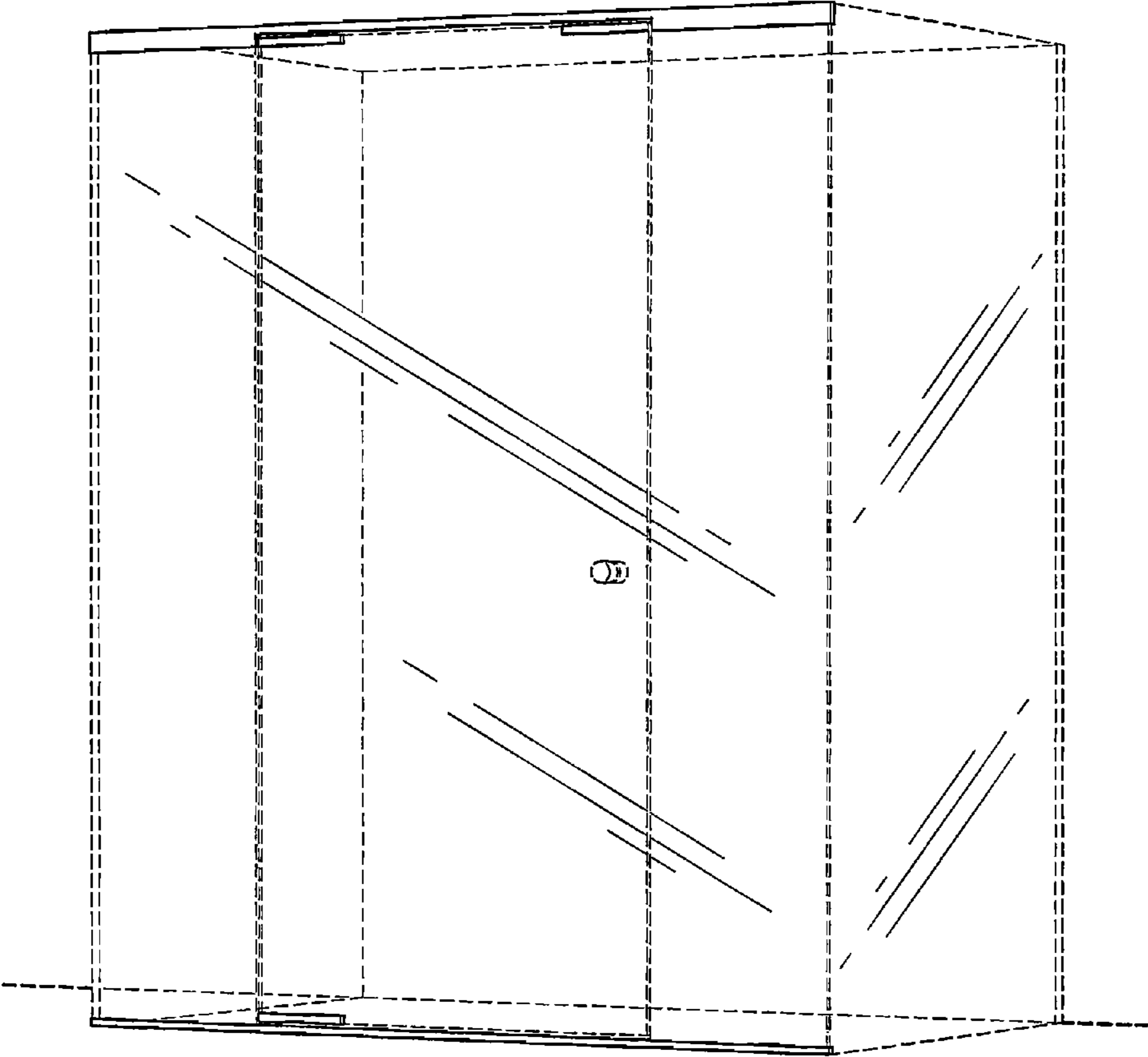


FIG. 1

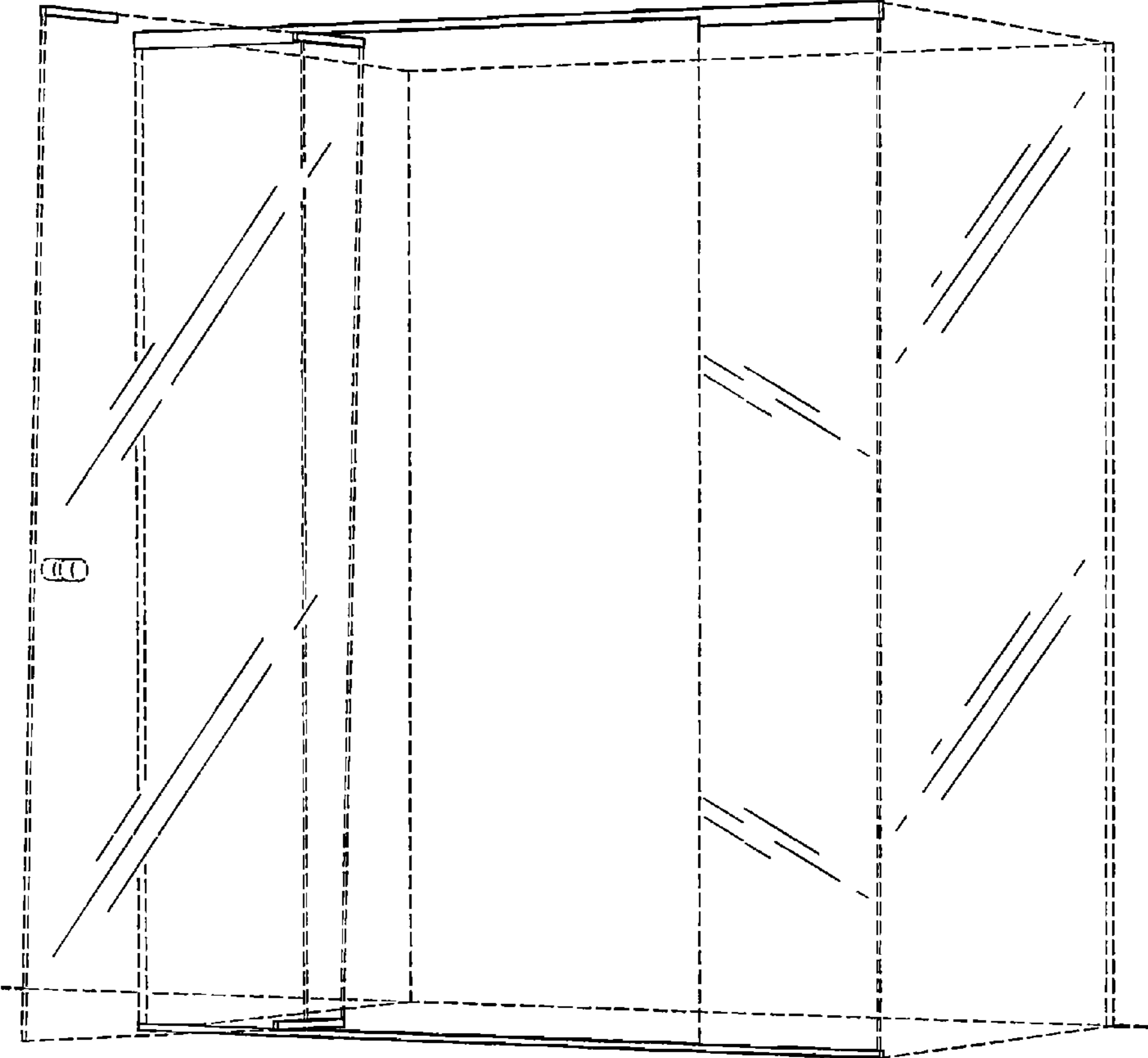


FIG. 2

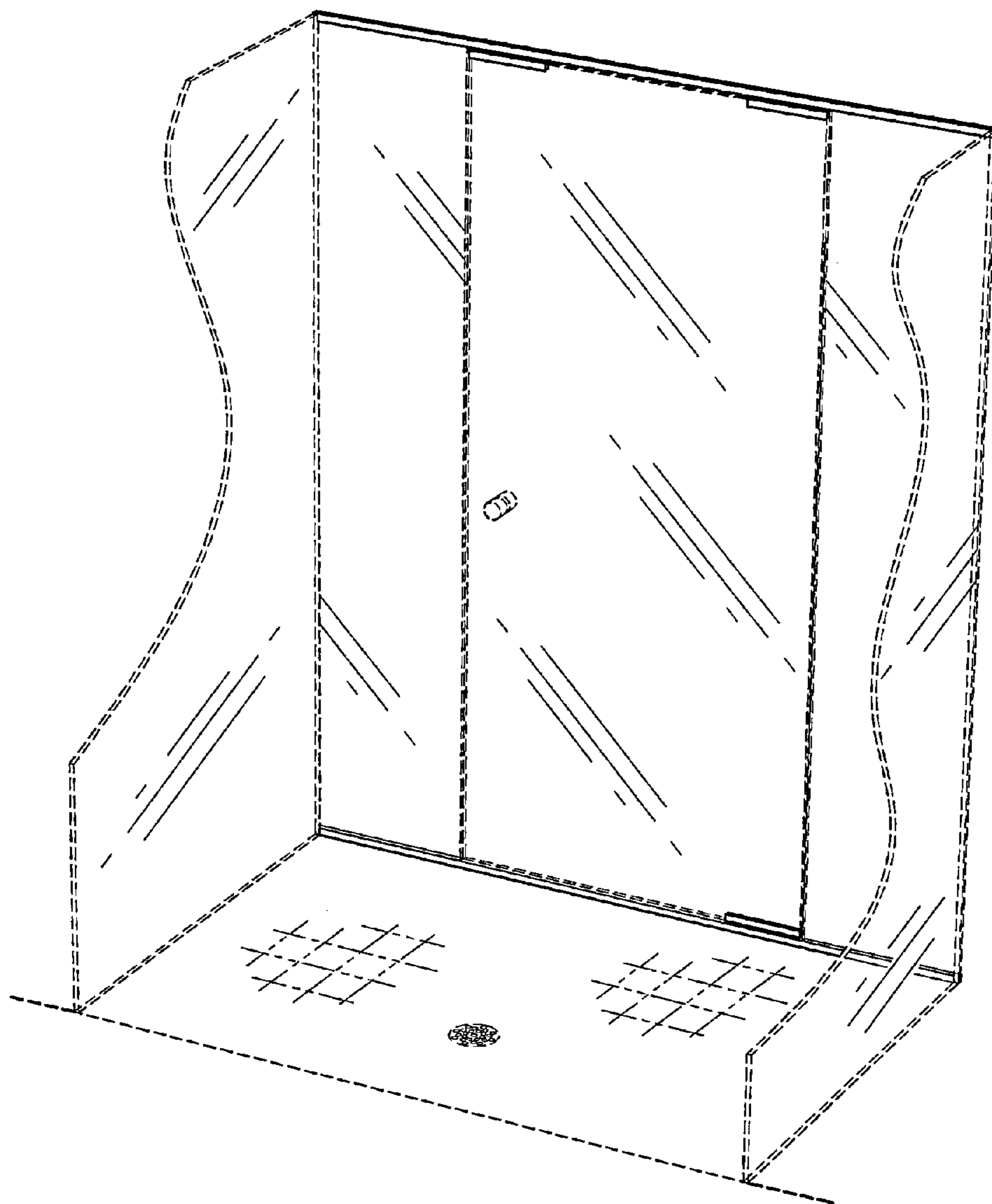


FIG. 3

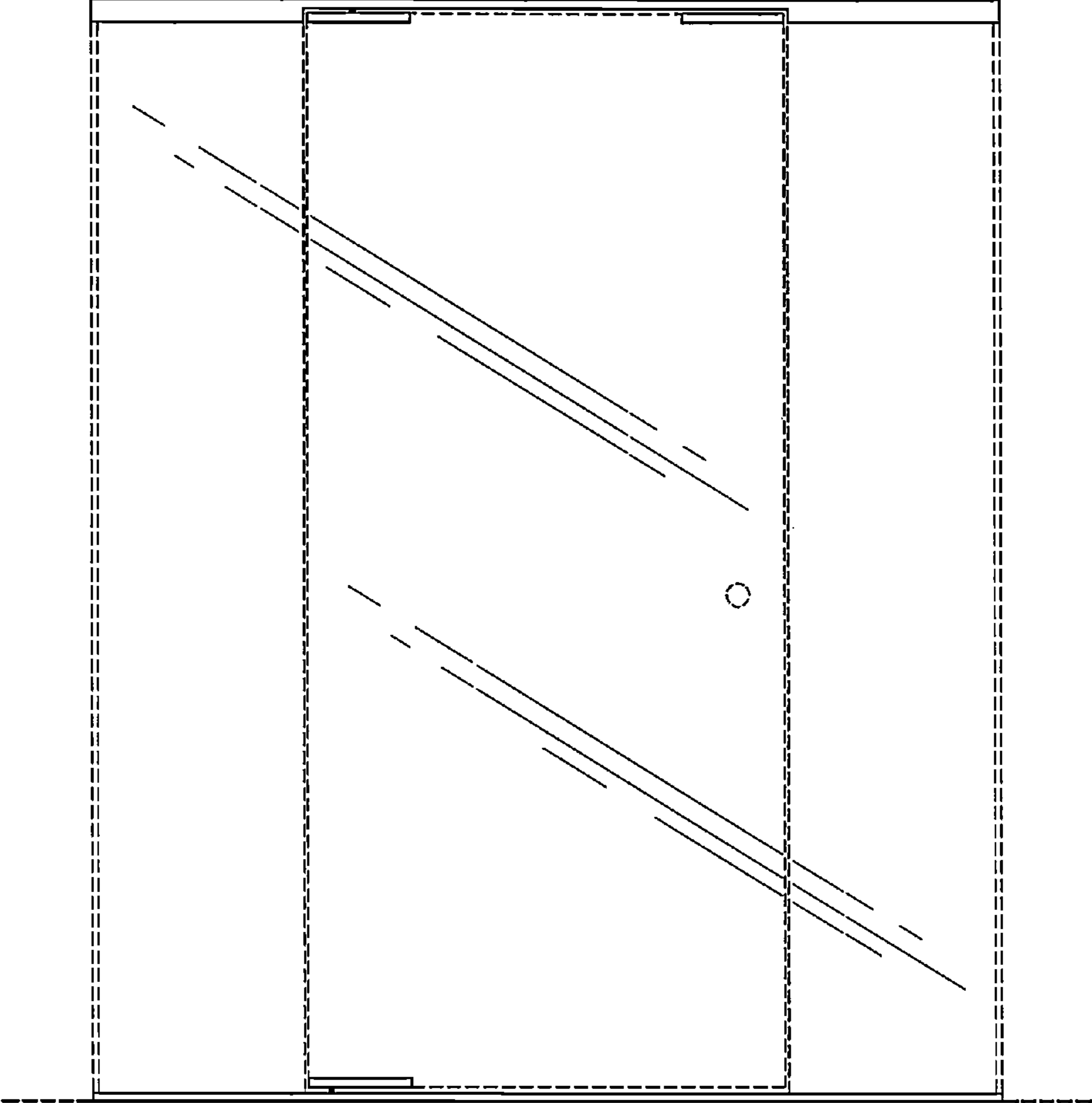


FIG. 4

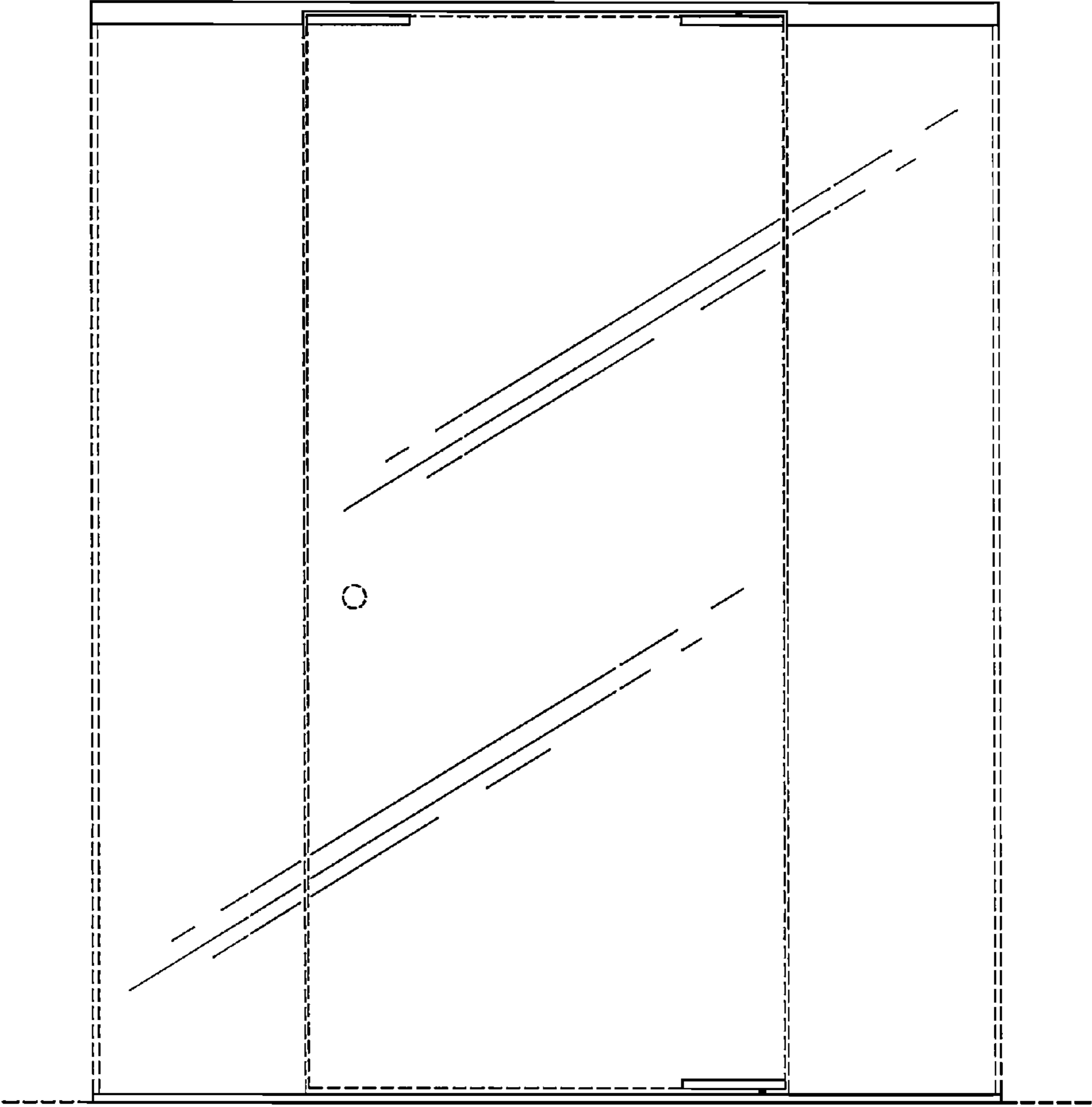


FIG. 5

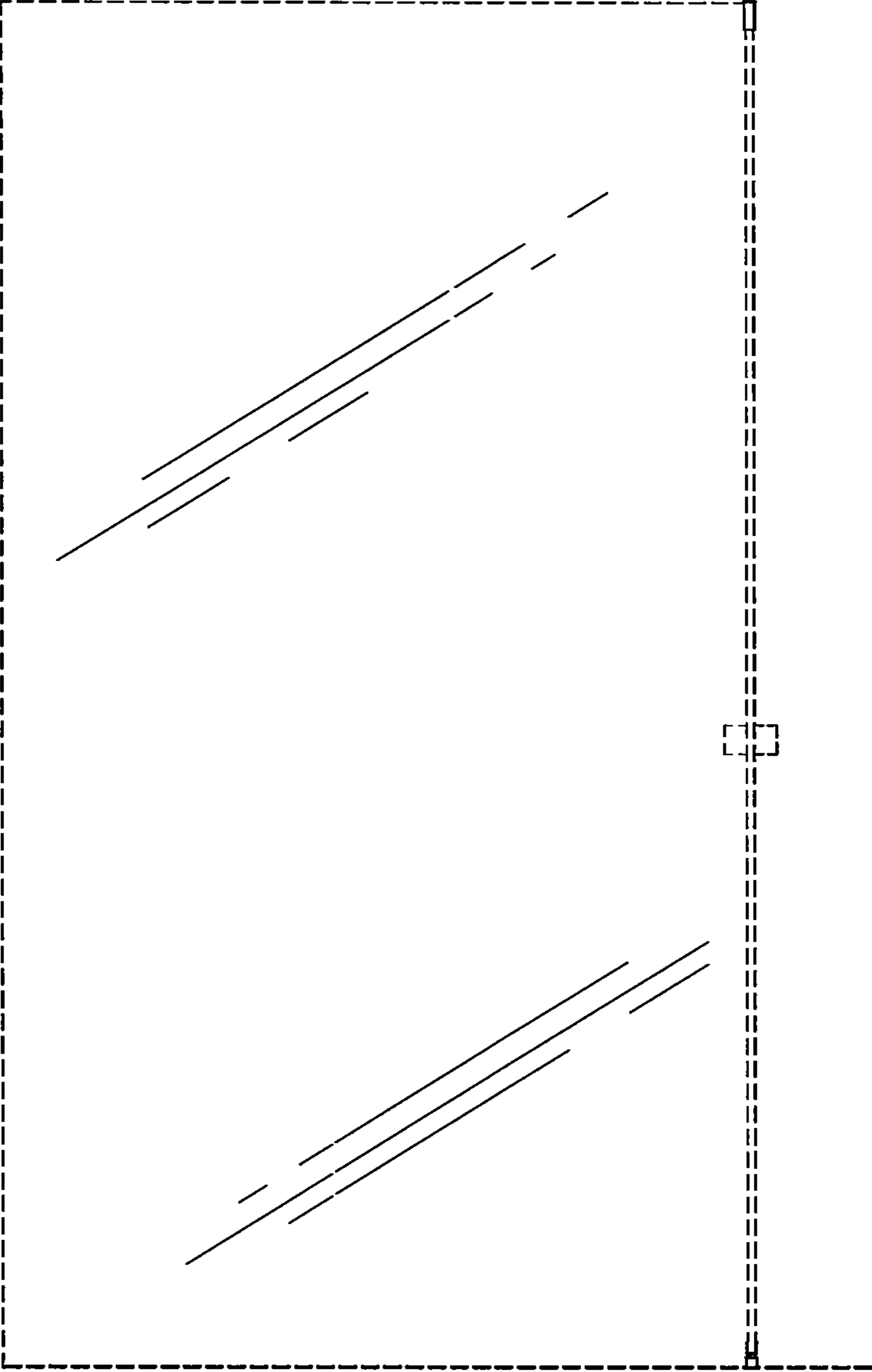


FIG. 6

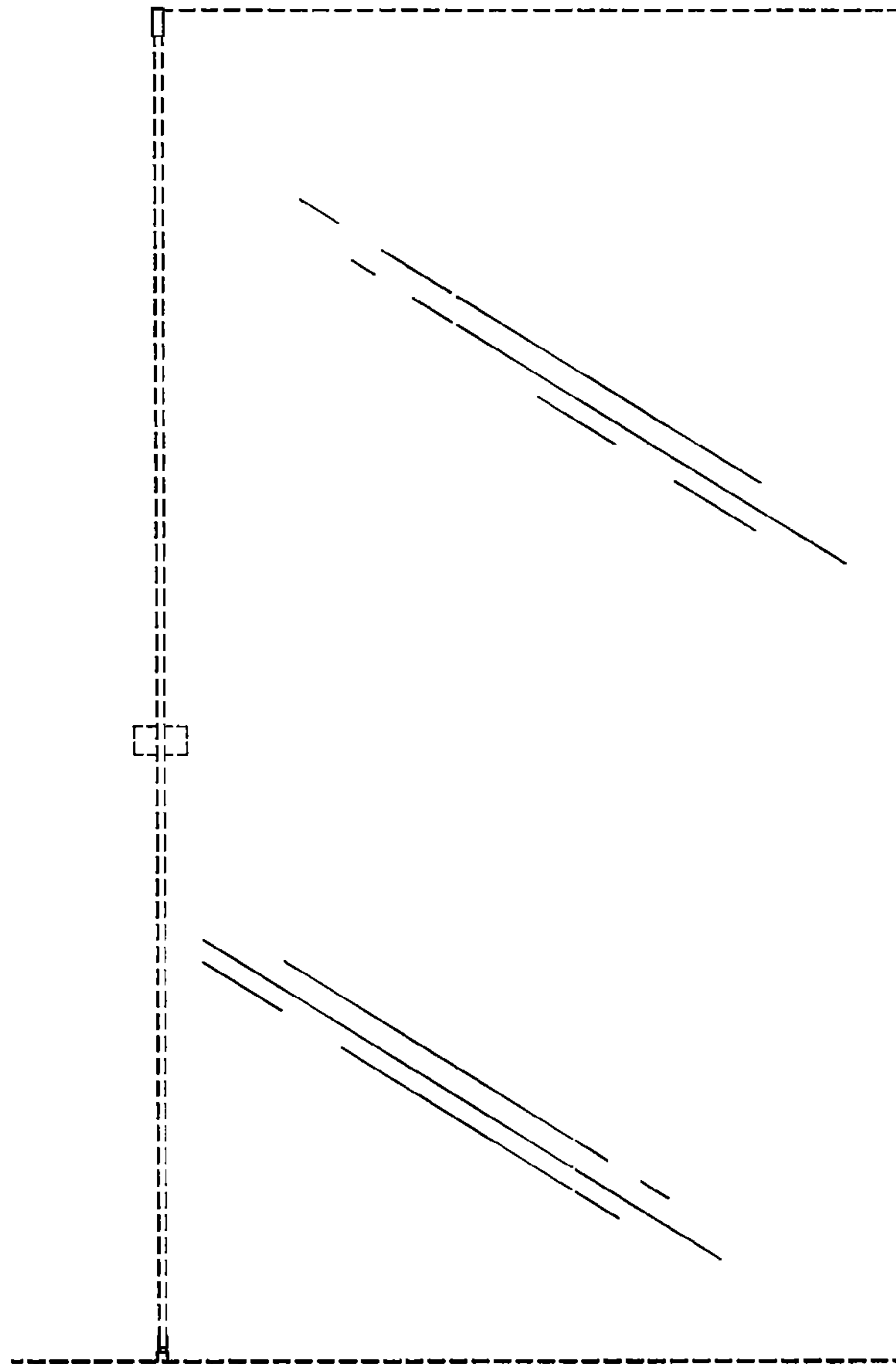


FIG. 7

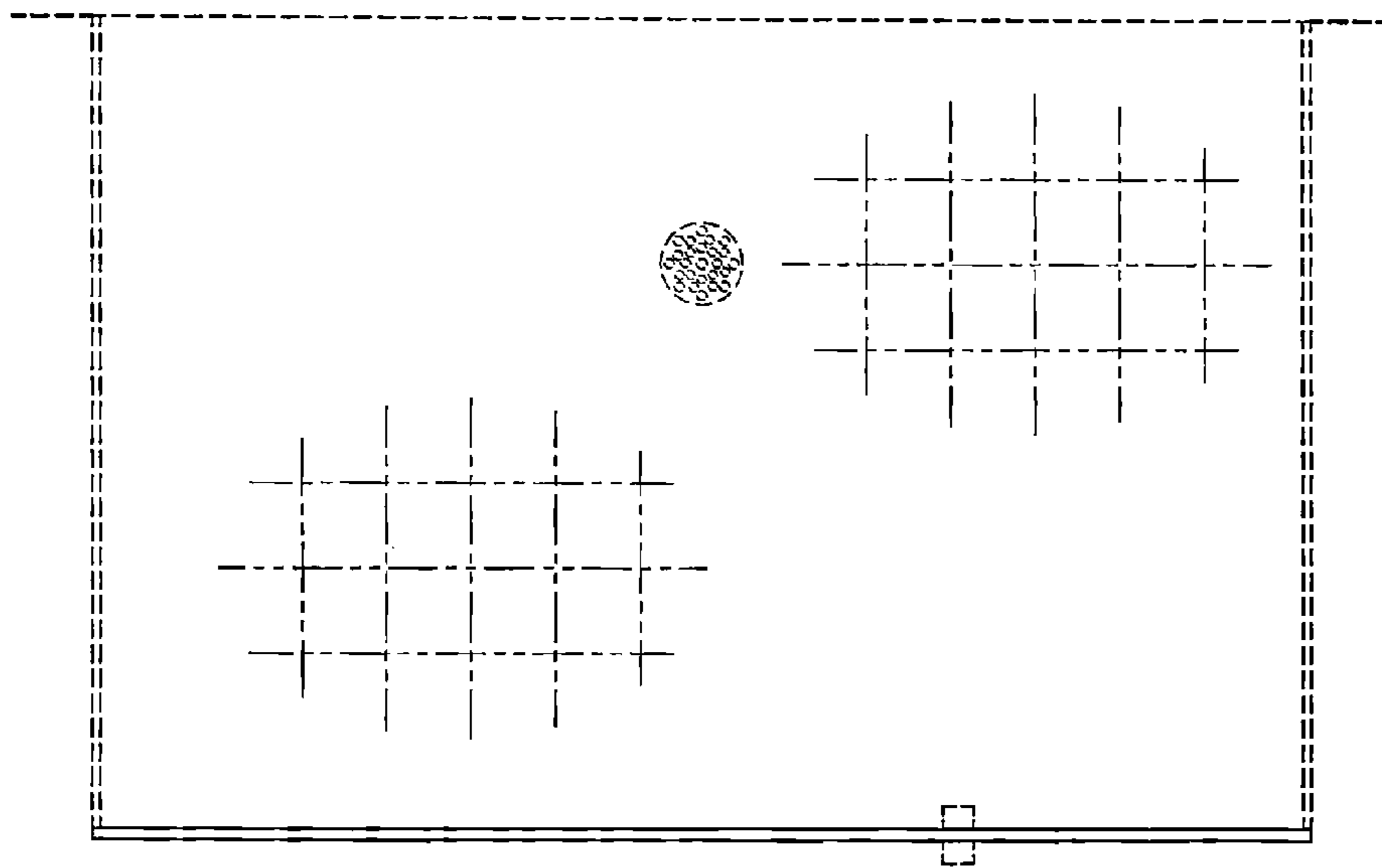


FIG. 8

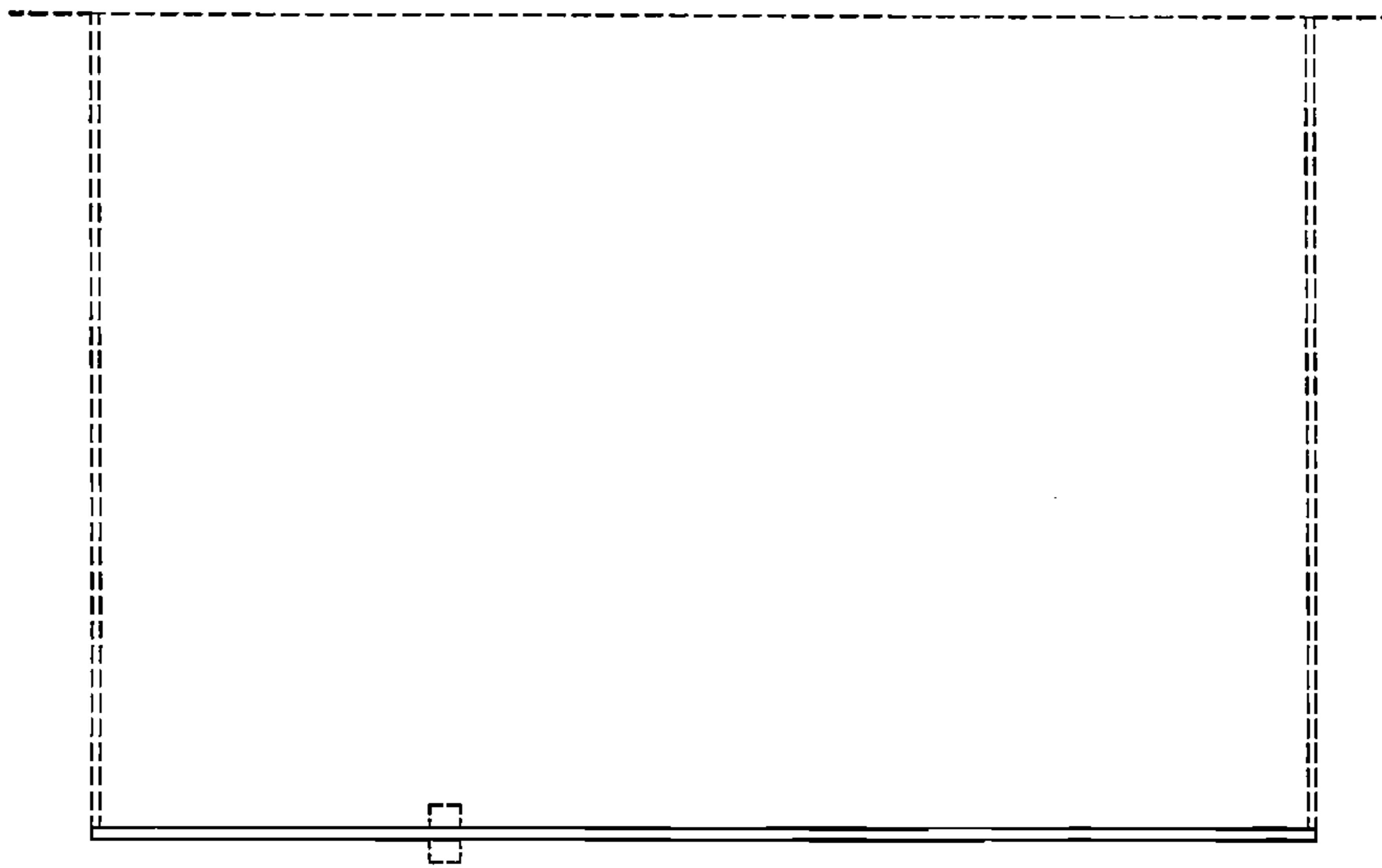


FIG. 9

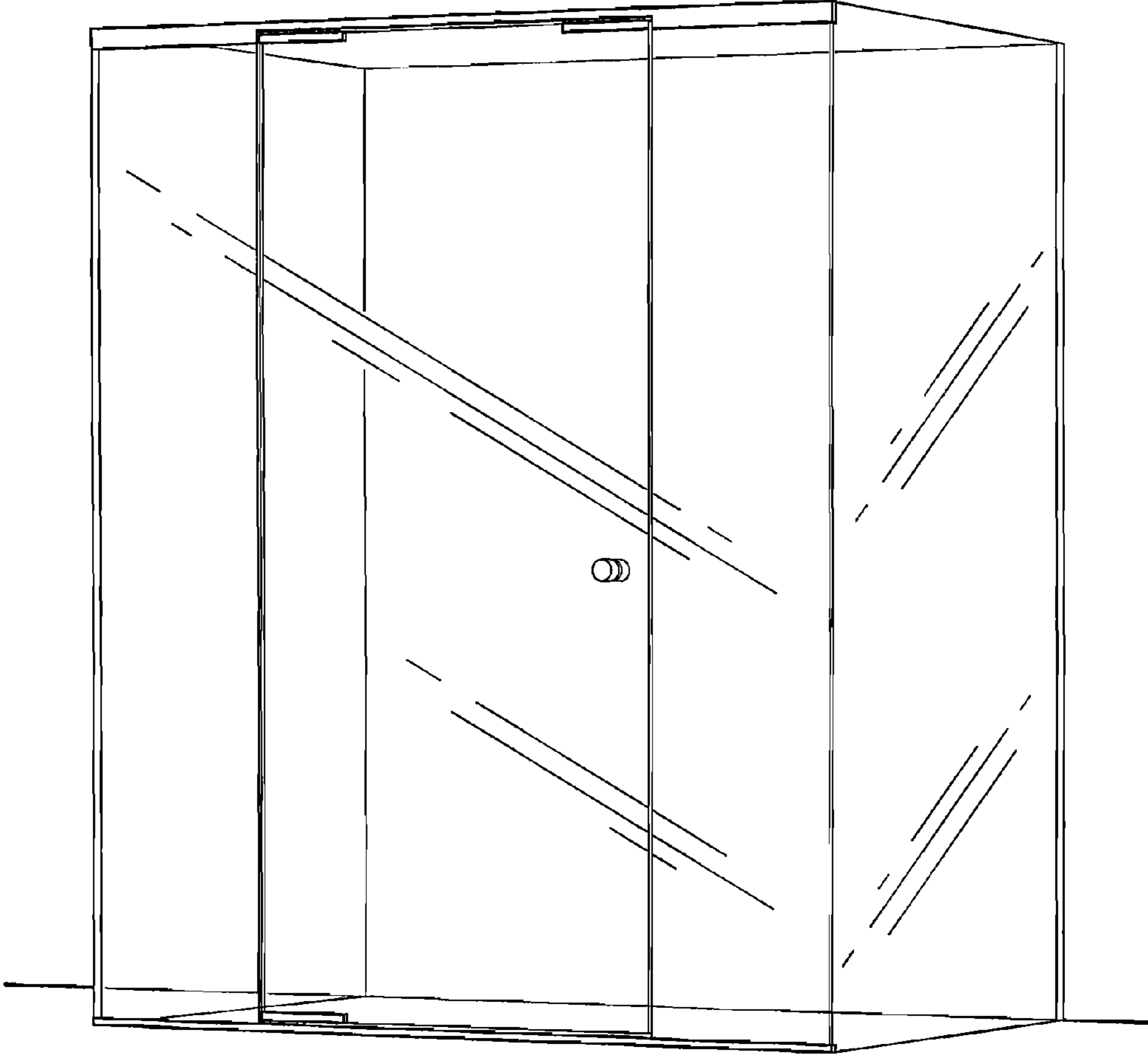


FIG. 10