



US00D717411S

(12) **United States Design Patent**
Kuch et al.

(10) **Patent No.:** **US D717,411 S**
(45) **Date of Patent:** **** Nov. 11, 2014**

(54) **SINK**

(71) Applicant: **BLANCO GmbH + Co KG**,
Oberderdingen (DE)
(72) Inventors: **Oliver Kuch**, Oberderdingen (DE);
Brigitte Ziemann, Eppingen (DE)
(73) Assignee: **BLANCO GmbH + Co KG**,
Oberderdingen (DE)

(**) Term: **14 Years**

(21) Appl. No.: **29/480,184**

(22) Filed: **Jan. 23, 2014**

(51) **LOC (10) Cl.** **23-02**

(52) **U.S. Cl.**
USPC **D23/284**

(58) **Field of Classification Search**
USPC D23/284, 286, 303, 308; 4/619, 630,
4/638, 650, 661

See application file for complete search history.

(56) **References Cited**

U.S. PATENT DOCUMENTS

D603,025 S * 10/2009 Mahon D23/284
D682,998 S * 5/2013 Eilmus D23/284

* cited by examiner

Primary Examiner — Robert Delehanty

(74) *Attorney, Agent, or Firm* — Hanley, Flight &
Zimmerman, LLC.

(57) **CLAIM**

The ornamental design for a “sink,” as shown and described.

DESCRIPTION

FIG. 1 is a perspective view of the sink from above.
FIG. 2 is a top plan view of the sink of FIG. 1.
FIG. 3 is a bottom view the sink of FIG. 1.
FIG. 4 is a front view of the sink of FIG. 1.
FIG. 5 is a rear view of the sink of FIG. 1.
FIG. 6 is a right side view of the sink of FIG. 1; and,
FIG. 7 is a left side view of the sink of FIG. 1.
The features shown in broken lines form no part of the
claimed design.

1 Claim, 7 Drawing Sheets

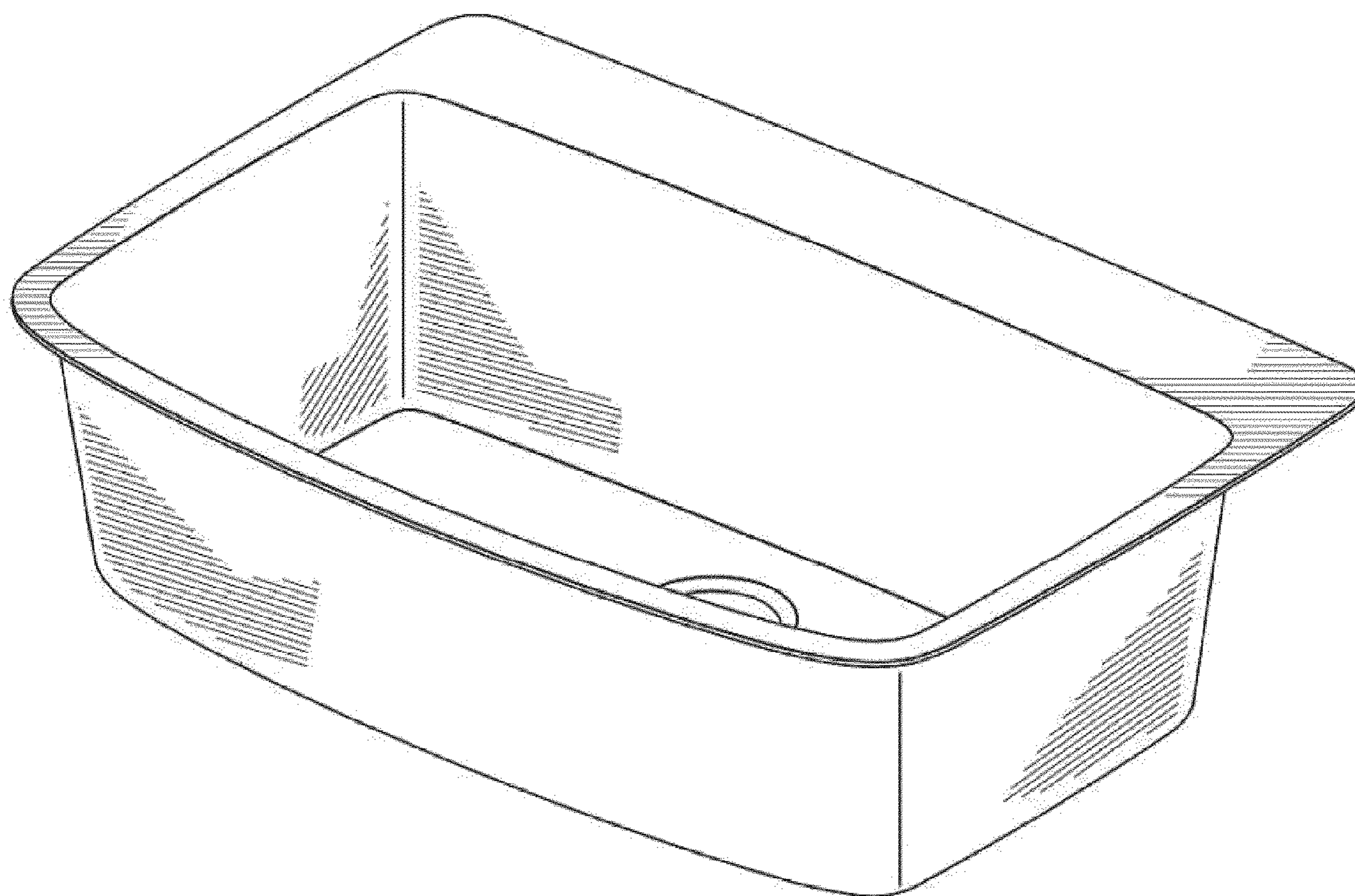
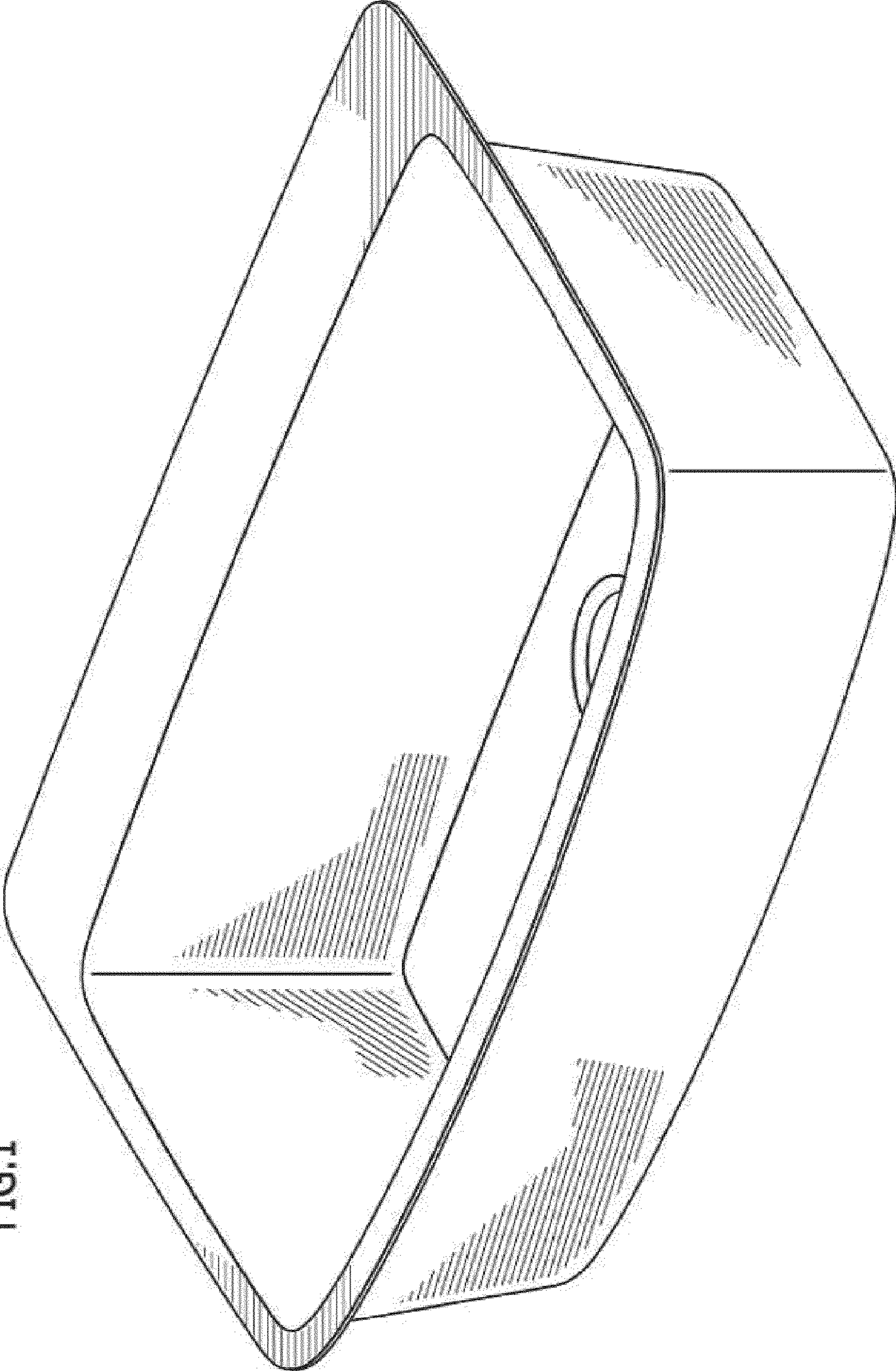


FIG.1



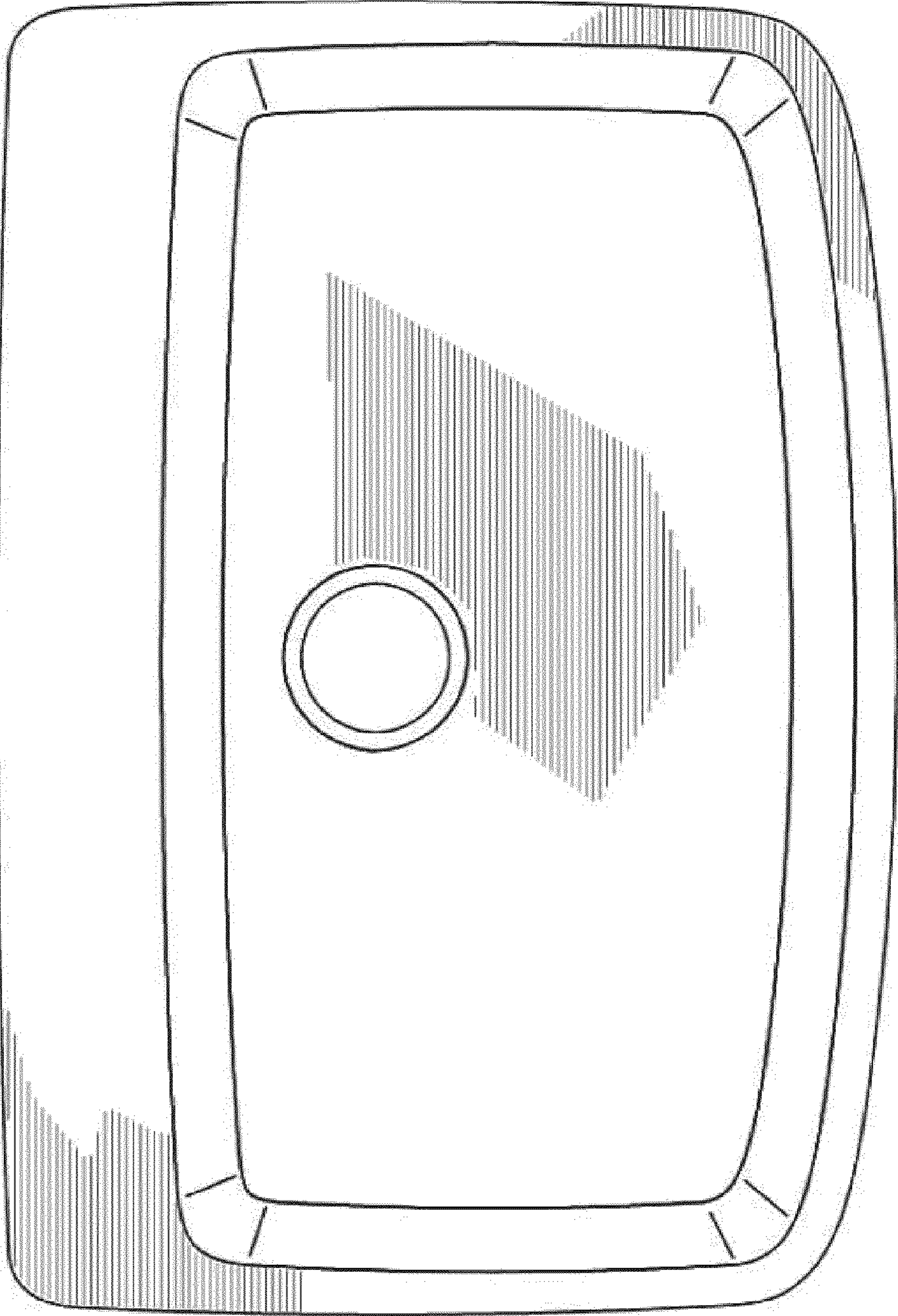


FIG.2

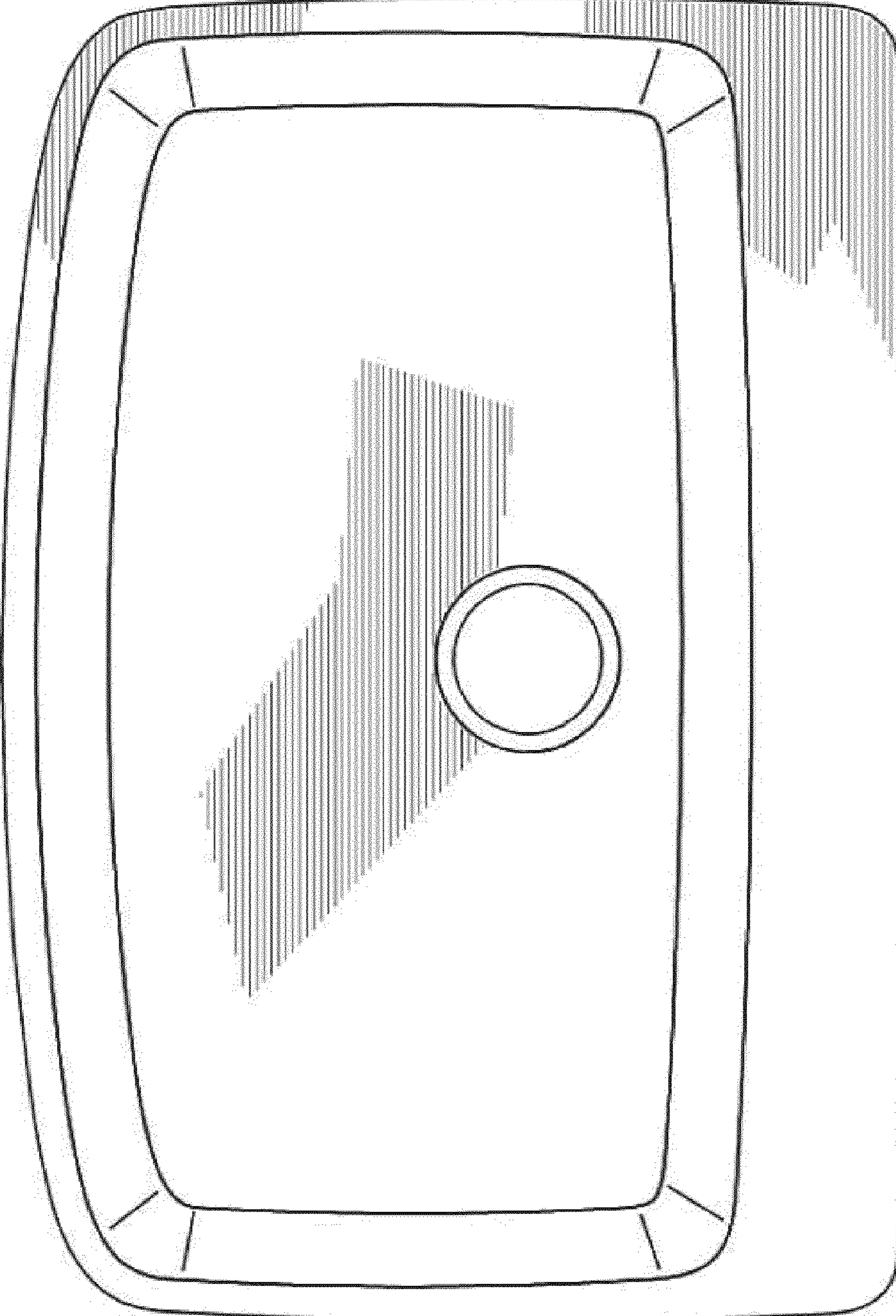


FIG.3

FIG.4

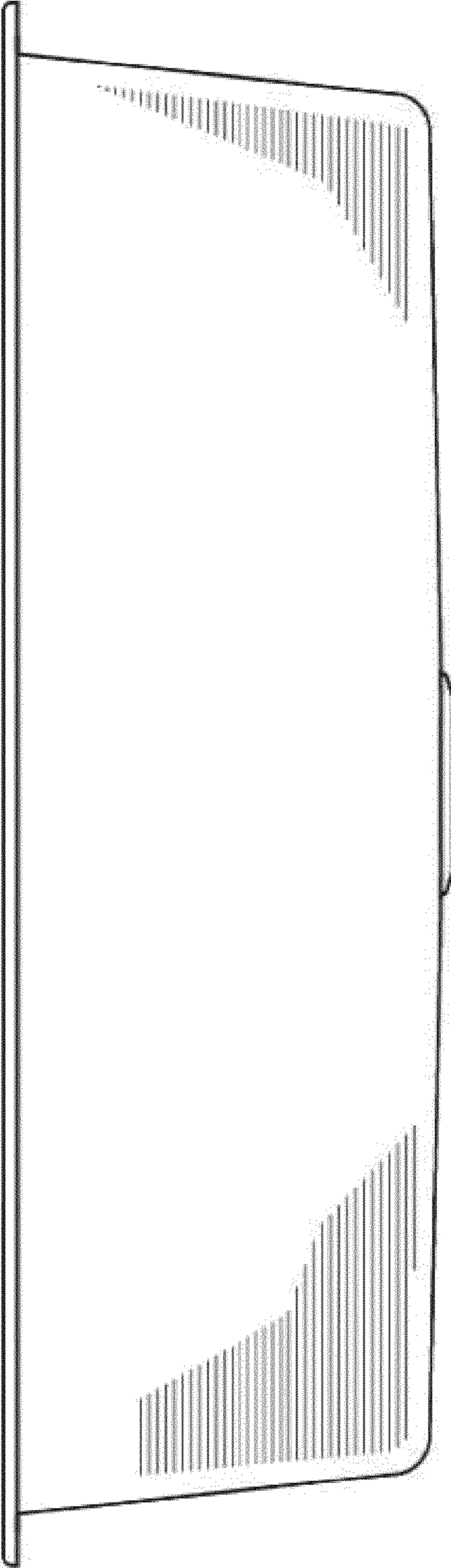
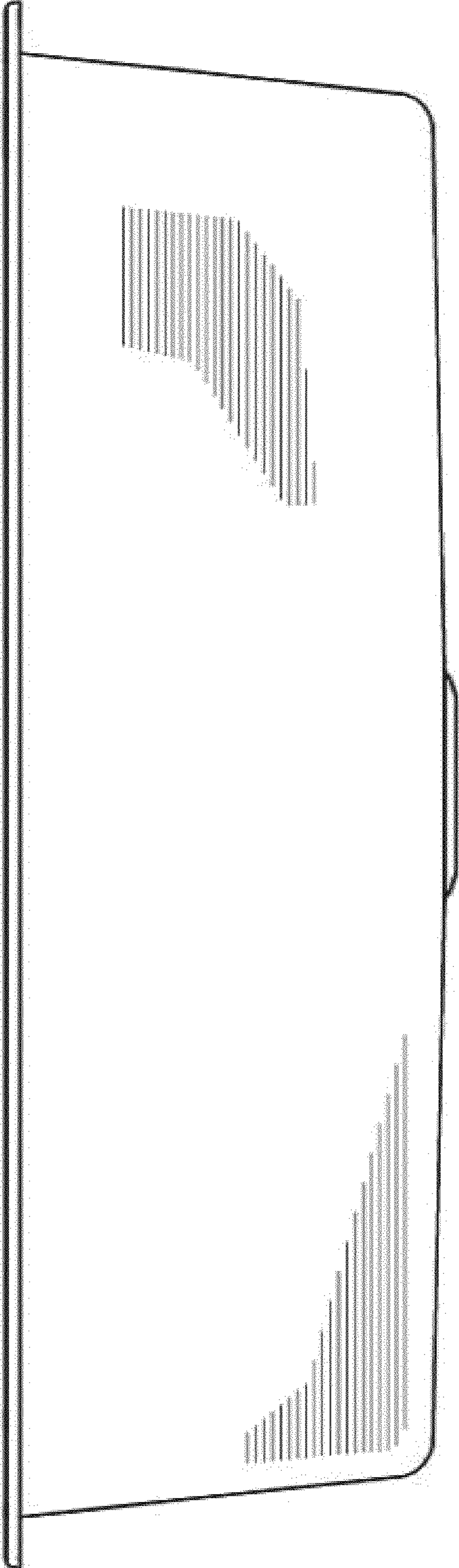


FIG.5



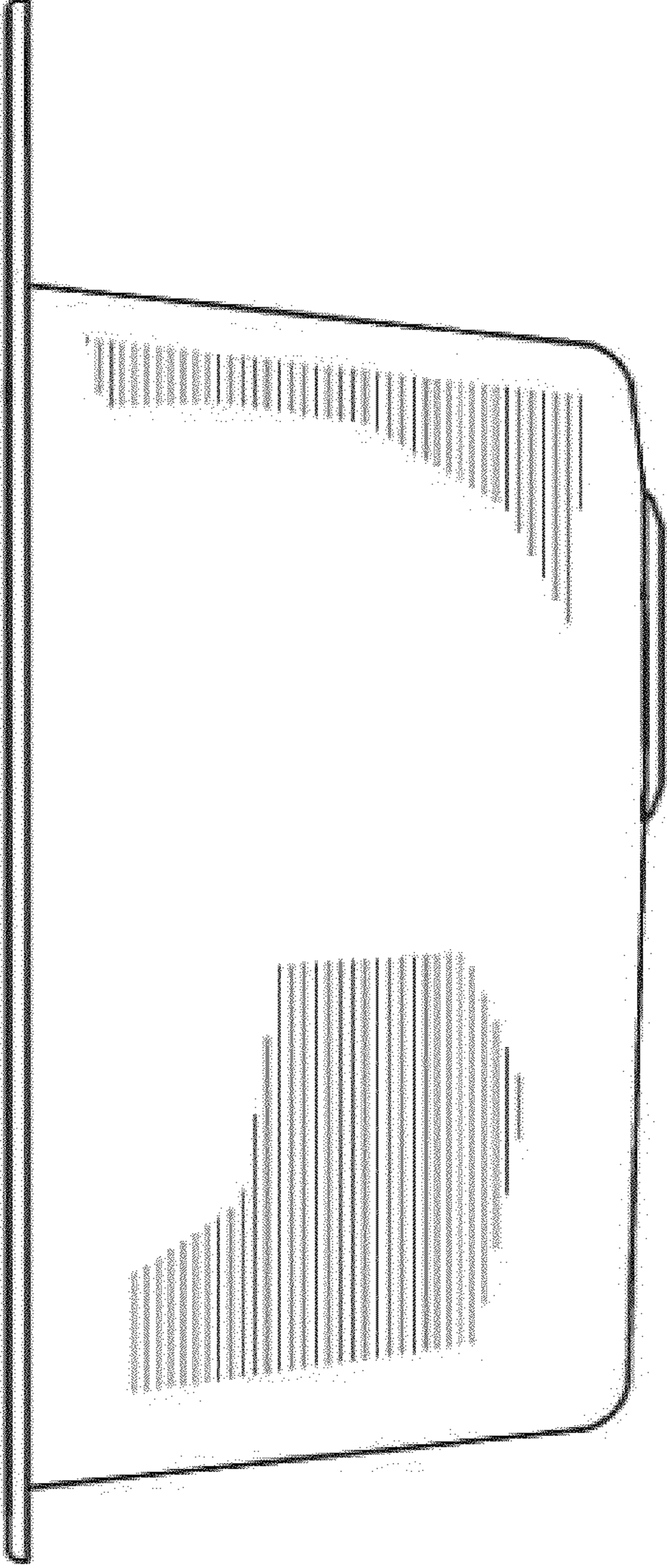


FIG.6

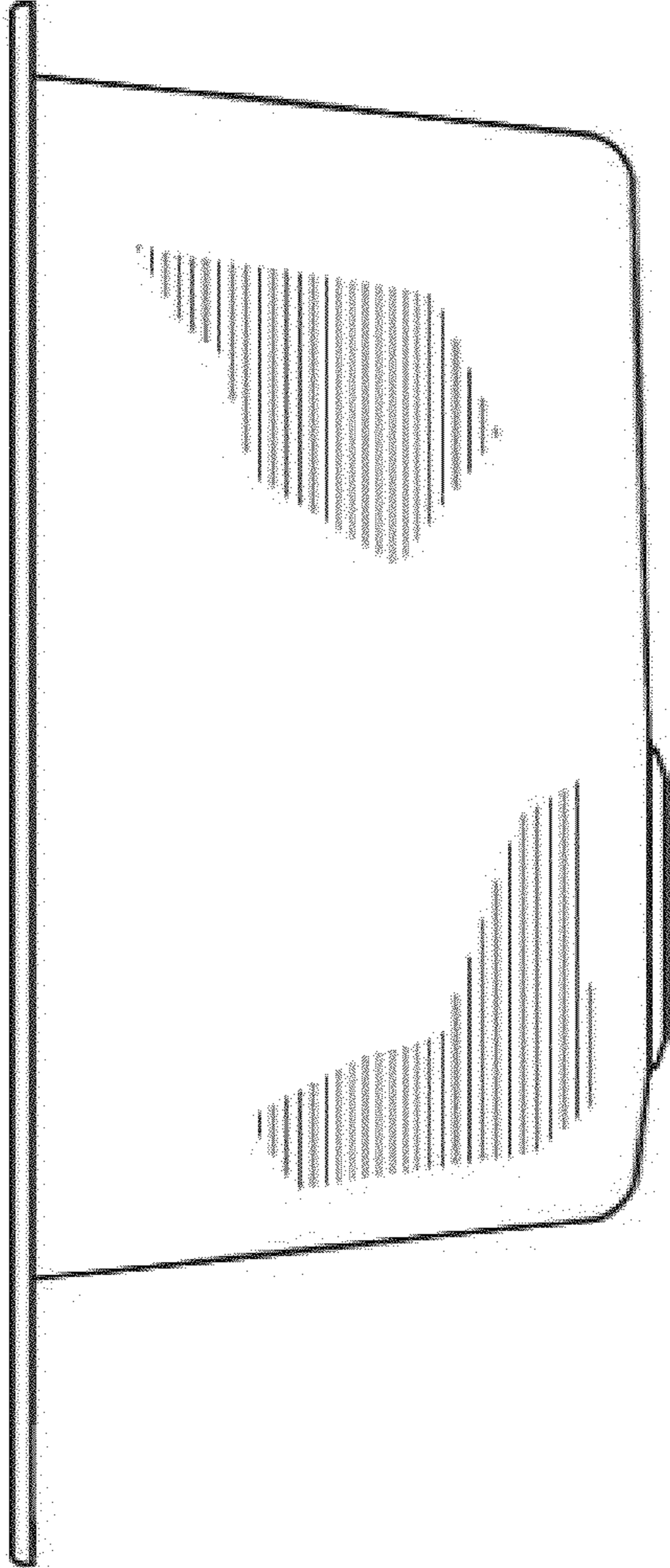


FIG. 7