



US00D717410S

(12) **United States Design Patent**
Menno

(10) **Patent No.:** **US D717,410 S**

(45) **Date of Patent:** **** Nov. 11, 2014**

- (54) **FUSIBLE BRANCH SADDLE**
- (71) Applicant: **HDPE Solutions, LLC**, West Palm Beach, FL (US)
- (72) Inventor: **Chris Menno**, West Palm Beach, FL (US)
- (73) Assignee: **HDPE Solutions, LLC**, West Palm Beach, FL (US)
- (**) Term: **14 Years**
- (21) Appl. No.: **29/443,906**
- (22) Filed: **Jan. 24, 2013**
- (51) **LOC (10) Cl.** **23-01**
- (52) **U.S. Cl.**
USPC **D23/266**
- (58) **Field of Classification Search**
USPC D23/205, 213, 223, 224, 228, 229, 230, D23/259, 262, 263, 266; D24/129; D13/155; 138/103, 105, 109, 118, 138/118.1, 121, 122, 126, 128, 140, 154, 138/155, 157, 158, 167, 173, 177; 285/58, 285/83, 124.1, 124.5, 179, 179.1
See application file for complete search history.

| | | | | | | |
|-----------|---|---|---------|---------------|-------|------------|
| 3,980,325 | A | * | 9/1976 | Robertson | | 285/249 |
| 4,127,836 | A | * | 11/1978 | Slenker | | 336/136 |
| 4,688,833 | A | * | 8/1987 | Todd | | 285/148.14 |
| 5,076,318 | A | * | 12/1991 | Fedora | | 137/318 |
| 5,375,626 | A | * | 12/1994 | Fears | | 138/103 |
| D419,652 | S | * | 1/2000 | Hall et al. | | D23/259 |
| D450,814 | S | * | 11/2001 | Aldred et al. | | D23/259 |

* cited by examiner

Primary Examiner — Eric Goodman

Assistant Examiner — Daniel J Domino

(74) *Attorney, Agent, or Firm* — McHale & Slavin, P.A.

(57) **CLAIM**

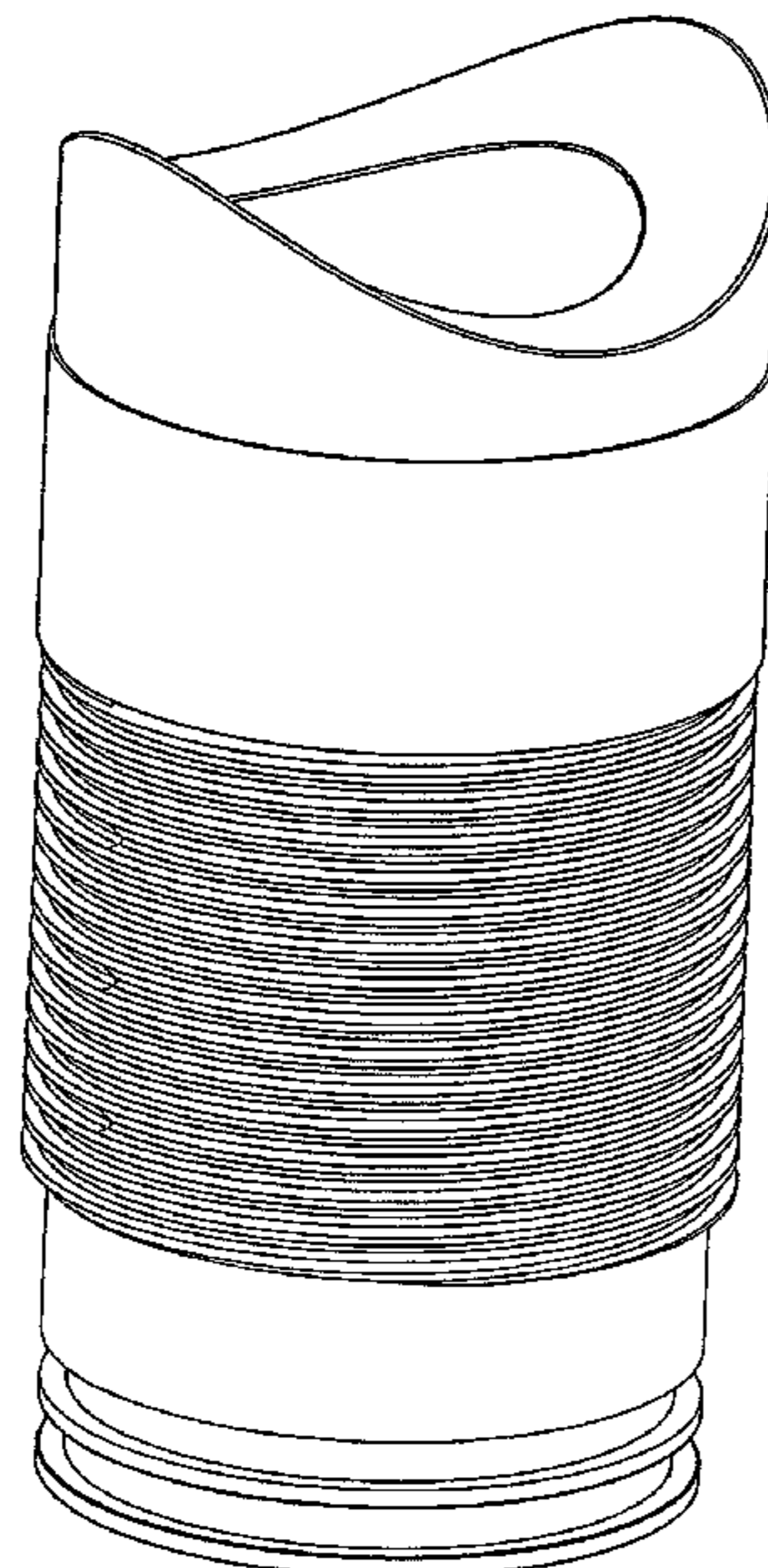
The ornamental design for a fusible branch saddle, as shown and described.

DESCRIPTION

FIG. 1 is a front side perspective view of a fusible branch saddle;
 FIG. 2 is a rear side perspective view thereof;
 FIG. 3 is top perspective view thereof;
 FIG. 4 is a bottom perspective view thereof;
 FIG. 5 is a front plane view thereof;
 FIG. 6 is a side plane view thereof;
 FIG. 7 is a bottom view thereof;
 FIG. 8 is a top view thereof; and,
 FIG. 9 is an environmental perspective view, illustrating a fusible branch saddle of the instant invention secured to pipes at the top and bottom ends.
 The broken lines shown in the figures are for the purpose of illustrating environment only and form no part of the claimed design.

- (56) **References Cited**
U.S. PATENT DOCUMENTS
D88,666 S * 12/1932 Morse et al. D23/266
2,173,399 A * 9/1939 Mills 138/99
2,200,583 A * 5/1940 Shepard 29/525
2,236,802 A * 4/1941 McDonald 138/113

1 Claim, 9 Drawing Sheets



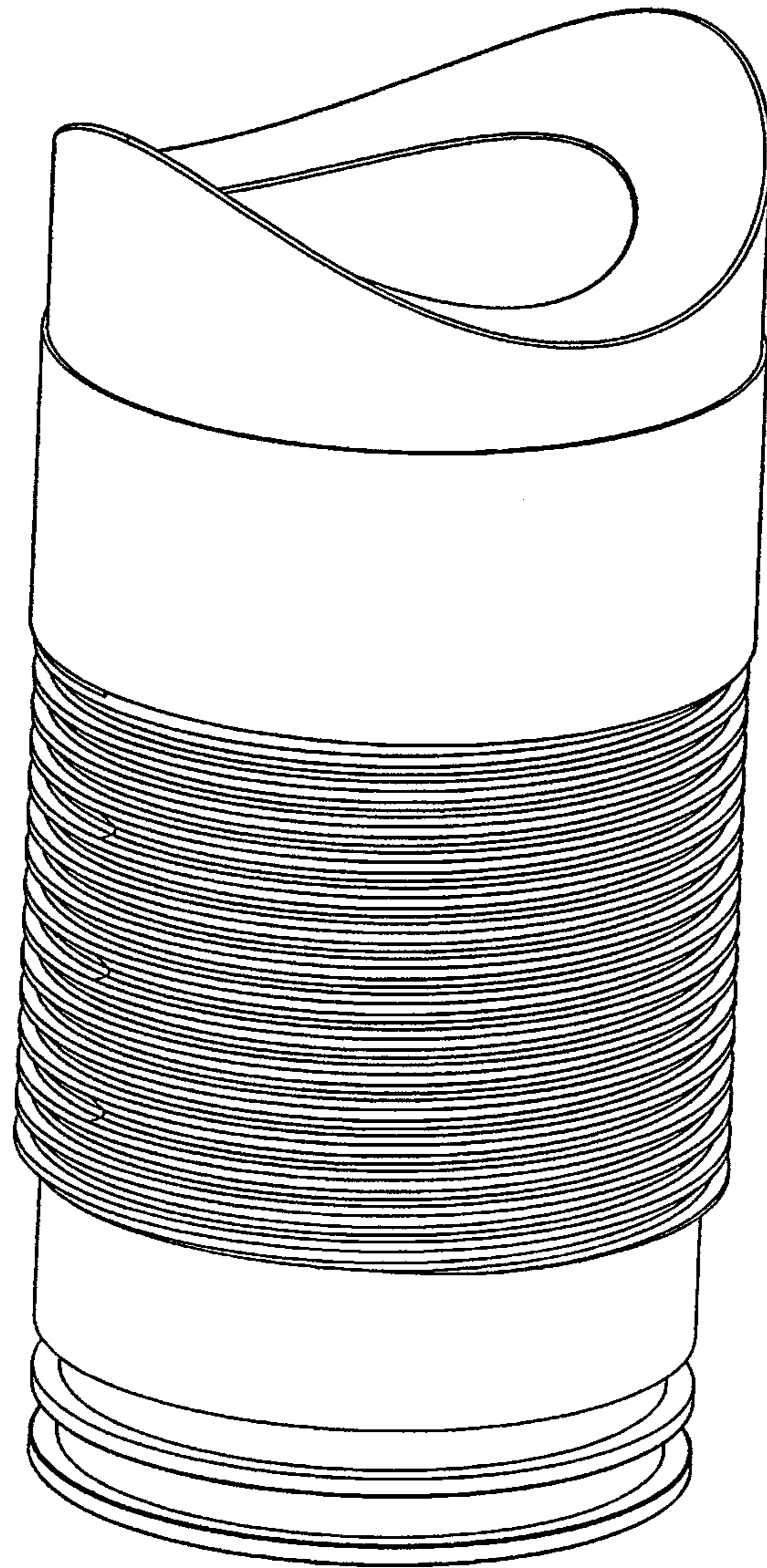


Figure 1.

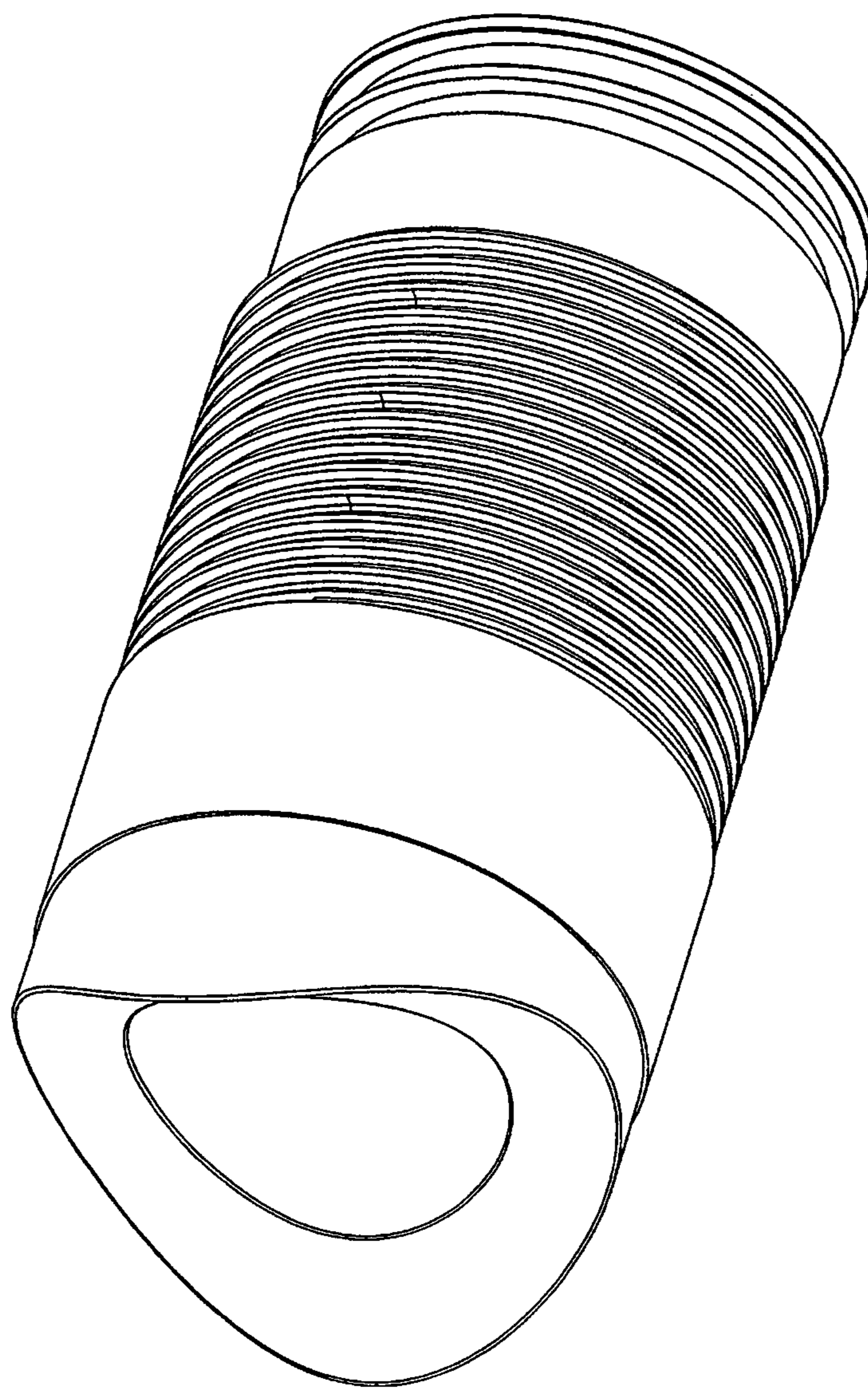


Figure 2.

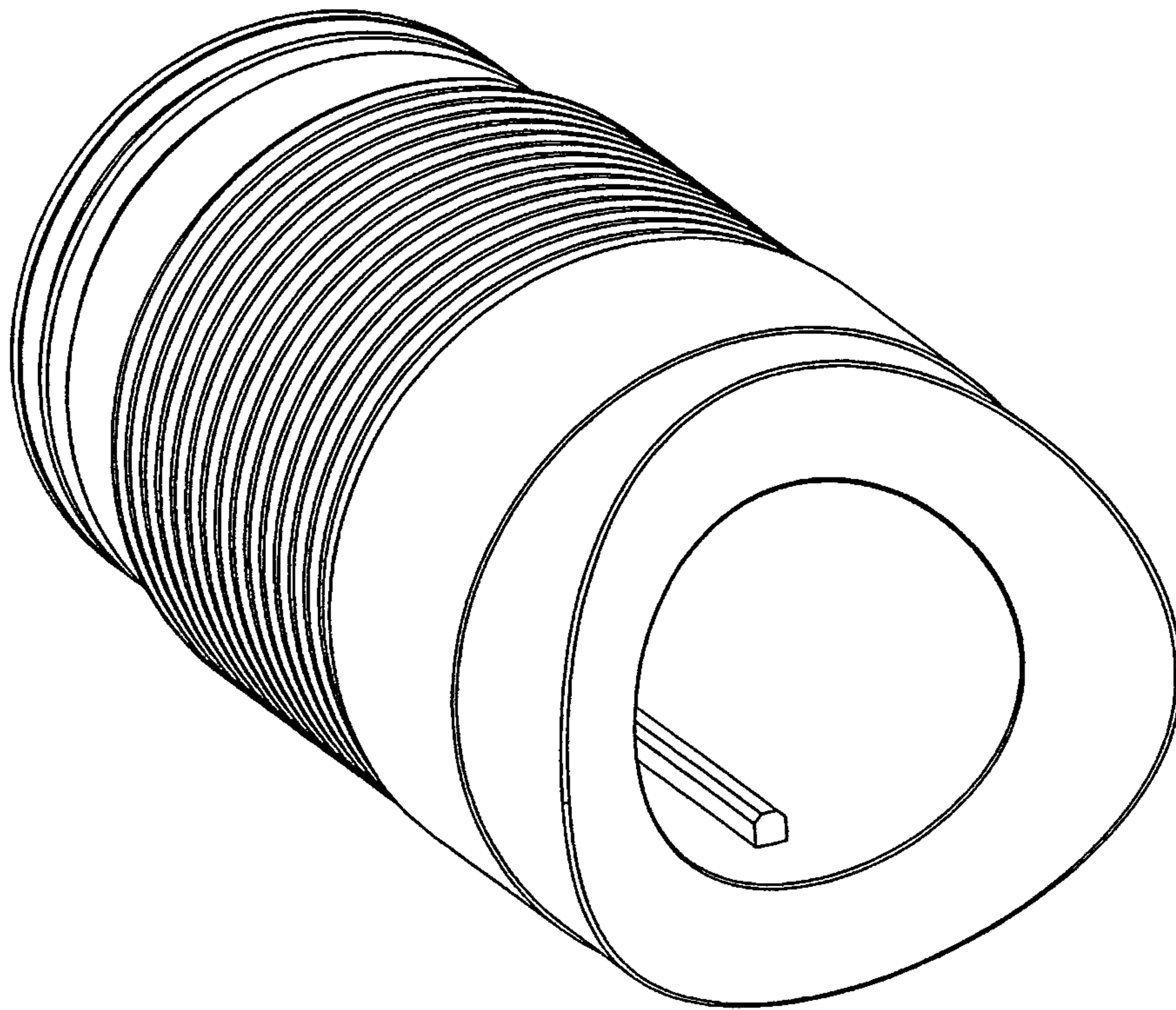


Figure 3.

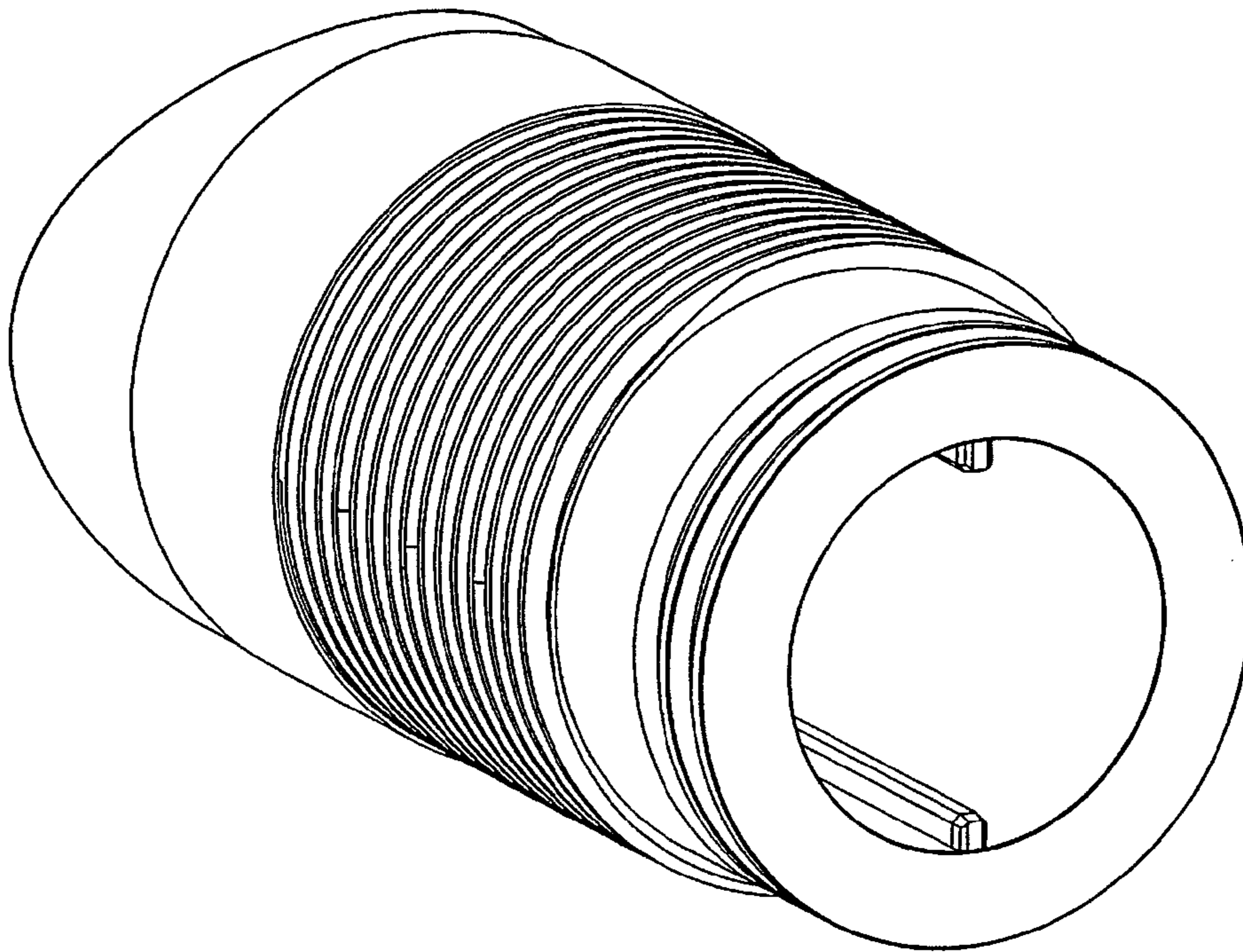


Figure 4.

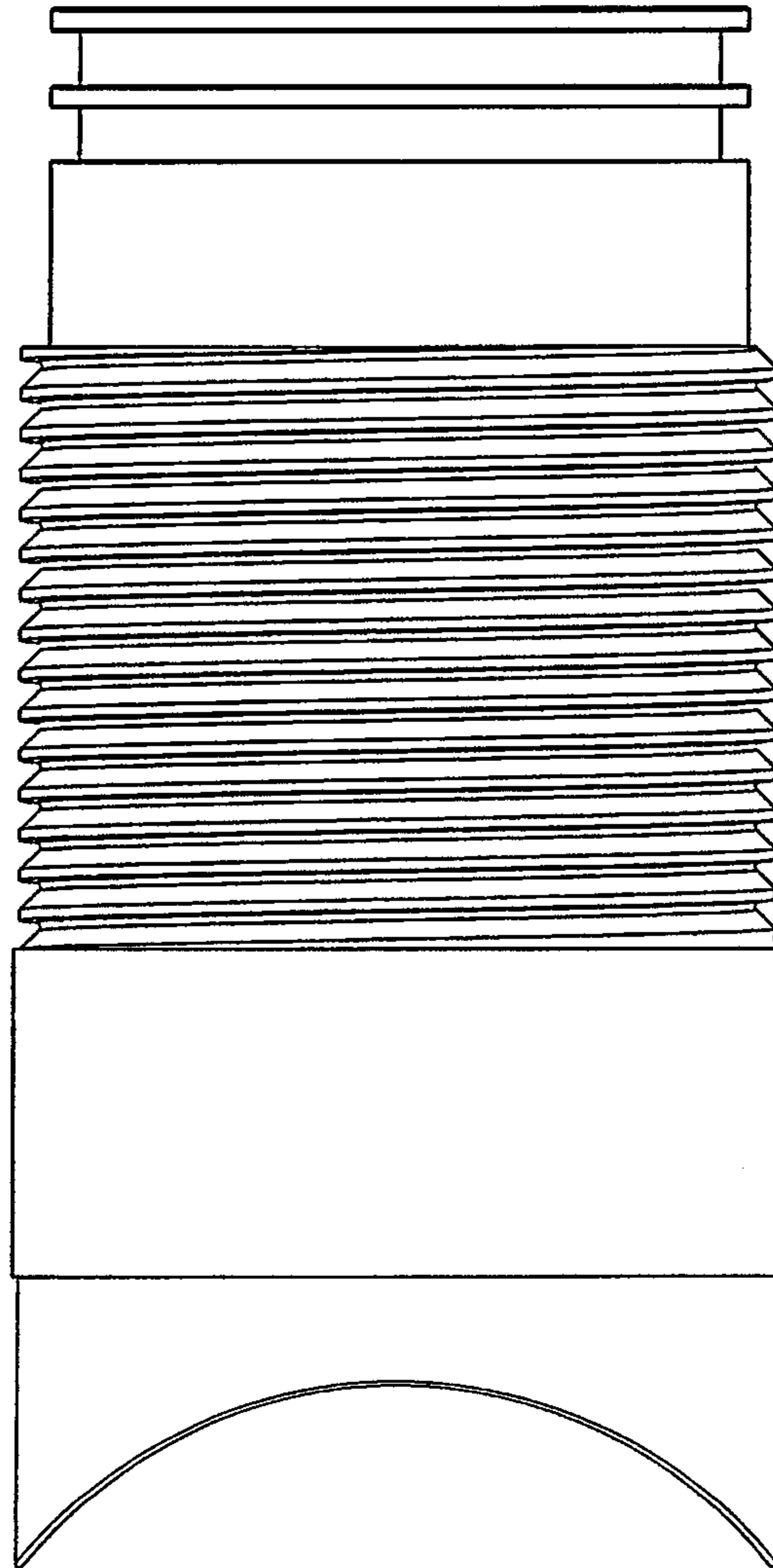


Figure 5.

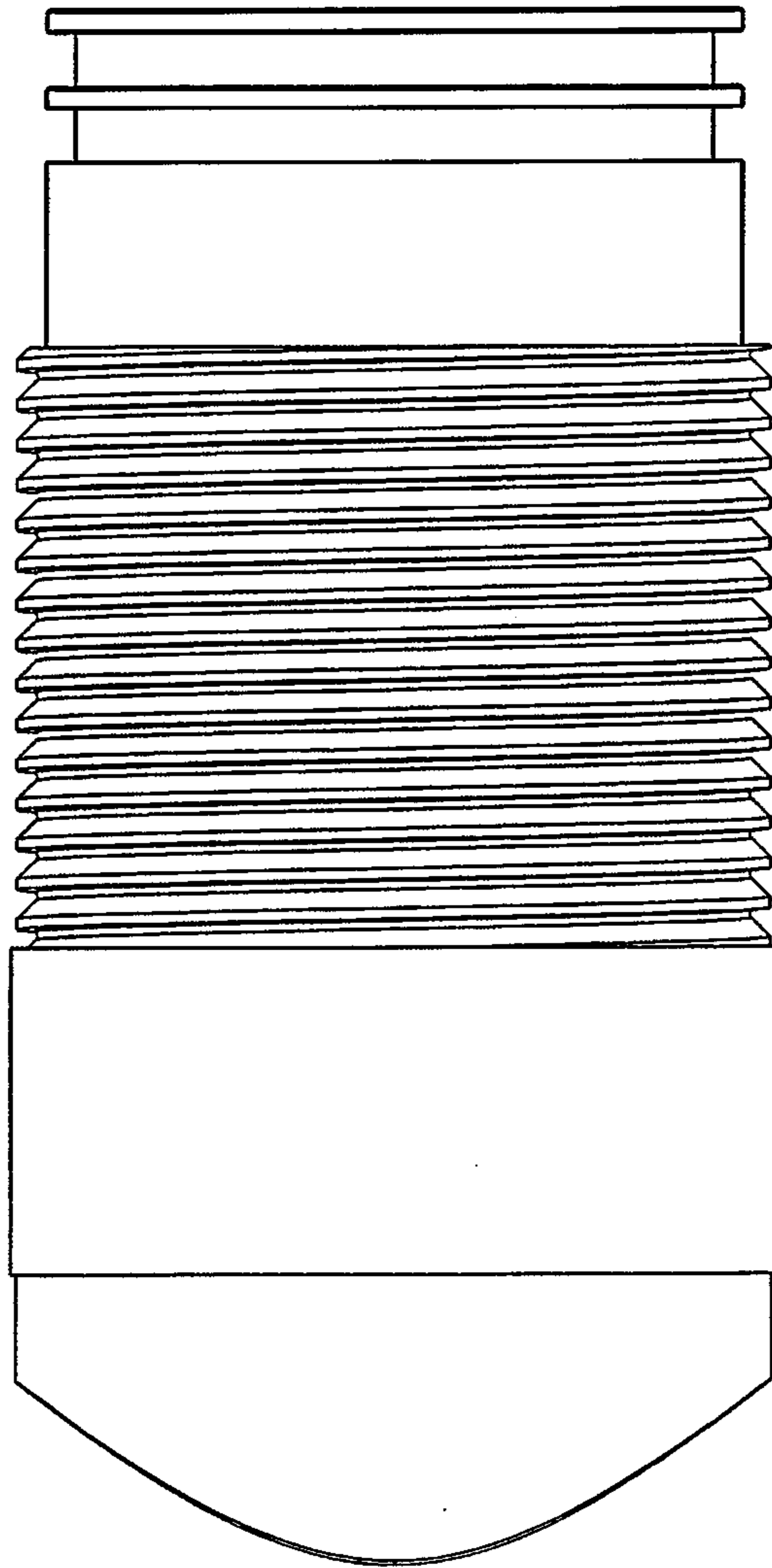


Figure 6.

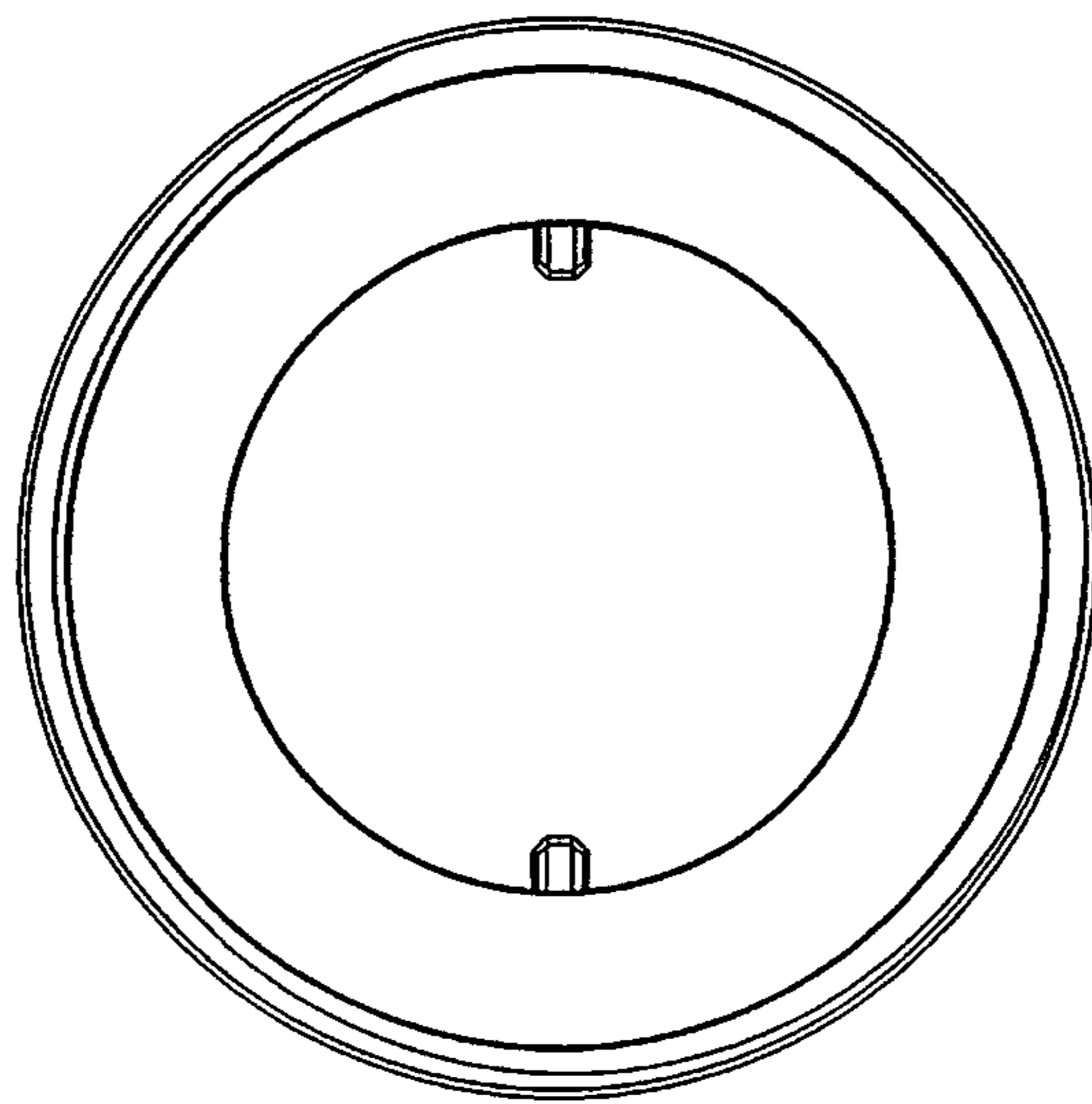


Figure 7.

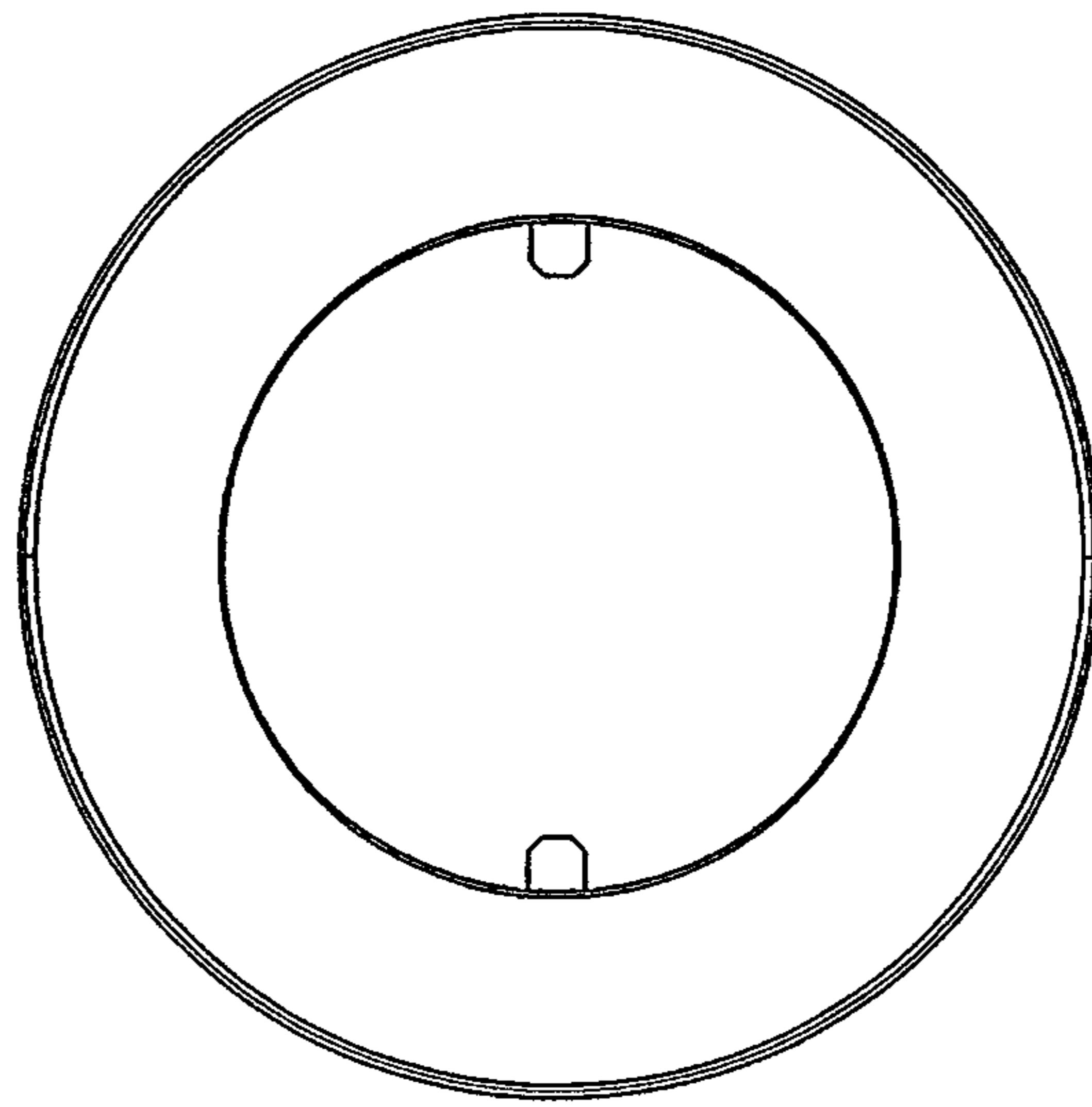


Figure 8.

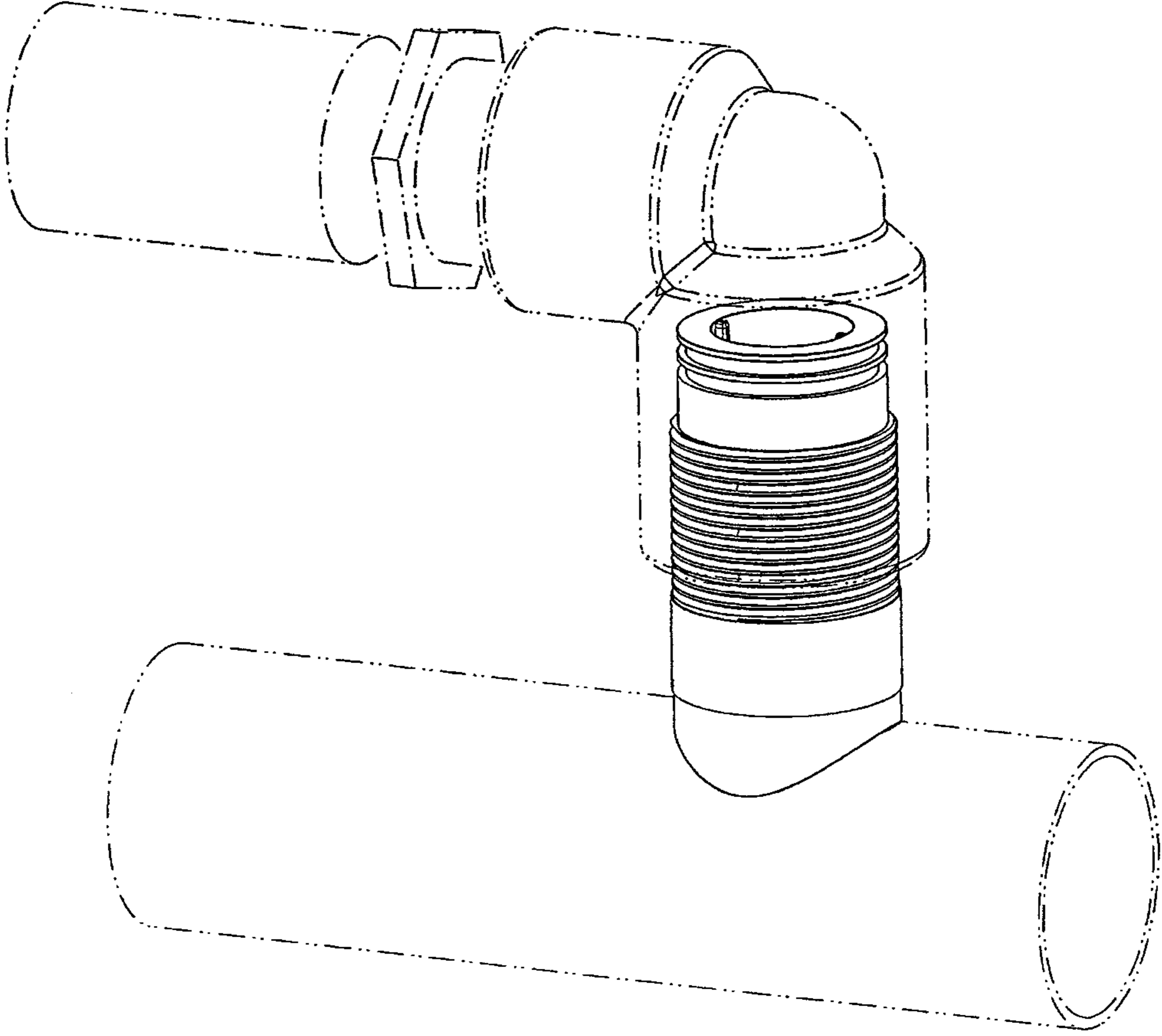


Figure 9.