



US00D717409S

(12) **United States Design Patent**
Buchanan et al.

(10) **Patent No.:** **US D717,409 S**
(45) **Date of Patent:** **** Nov. 11, 2014**

(54) **COUPLING DEVICE**

(76) Inventors: **Jackie Ray Buchanan**, Nebo, IL (US);
Joseph Ray Buchanan, Nebo, IL (US)

(**) Term: **14 Years**

(21) Appl. No.: **29/429,441**

(22) Filed: **Aug. 10, 2012**

(51) **LOC (10) Cl.** **23-01**

(52) **U.S. Cl.**
USPC **D23/262**

(58) **Field of Classification Search**
USPC D23/213, 23, 224, 29, 230, 259, 262,
D23/263, 265, 266; D24/129; D13/155;
138/103, 105, 109, 118, 118.1, 121,
138/122, 126, 128, 140, 154, 155, 157, 158,
138/167, 173, 177; 285/58, 83, 124.1,
285/124.5, 179, 179.1

See application file for complete search history.

(56) **References Cited**

U.S. PATENT DOCUMENTS

3,166,812	A *	1/1965	Hepburn	24/279
4,380,348	A *	4/1983	Swartz	285/236
4,518,177	A *	5/1985	Deakins	285/64
4,754,941	A *	7/1988	Weiss	248/74.3
4,927,189	A *	5/1990	Burkit	285/109
5,002,317	A *	3/1991	Burkit	285/133.21
5,605,357	A *	2/1997	Bird	285/15
5,692,544	A *	12/1997	Friedrich et al.	138/99
5,772,253	A *	6/1998	Hodge et al.	285/15

5,853,030	A *	12/1998	Walding	138/99
6,447,029	B1 *	9/2002	Ahn	285/419
D574,472	S *	8/2008	Kanao	D23/262
D596,272	S *	7/2009	Price et al.	D23/259
D609,789	S *	2/2010	Milnes	D23/262
D650,889	S *	12/2011	van Walraven	D23/265
D653,310	S *	1/2012	Texier	D23/262
D681,159	S *	4/2013	Ben-Horin et al.	D23/209
2014/0041203	A1 *	2/2014	Buchanan et al.	29/525.02
2014/0103172	A1 *	4/2014	Tazioli et al.	248/74.4

* cited by examiner

Primary Examiner — Eric Goodman

Assistant Examiner — Daniel J Domino

(74) *Attorney, Agent, or Firm* — Schafer Smith LLC

(57) **CLAIM**

We claim the ornamental design for a coupling device, as shown and described.

DESCRIPTION

FIG. 1 is a perspective view of a coupling device showing our new design;

FIG. 2 is a perspective view thereof showing the design within an environment;

FIG. 3 is a top view thereof;

FIG. 4 is a first side view thereof;

FIG. 5 is a bottom view thereof;

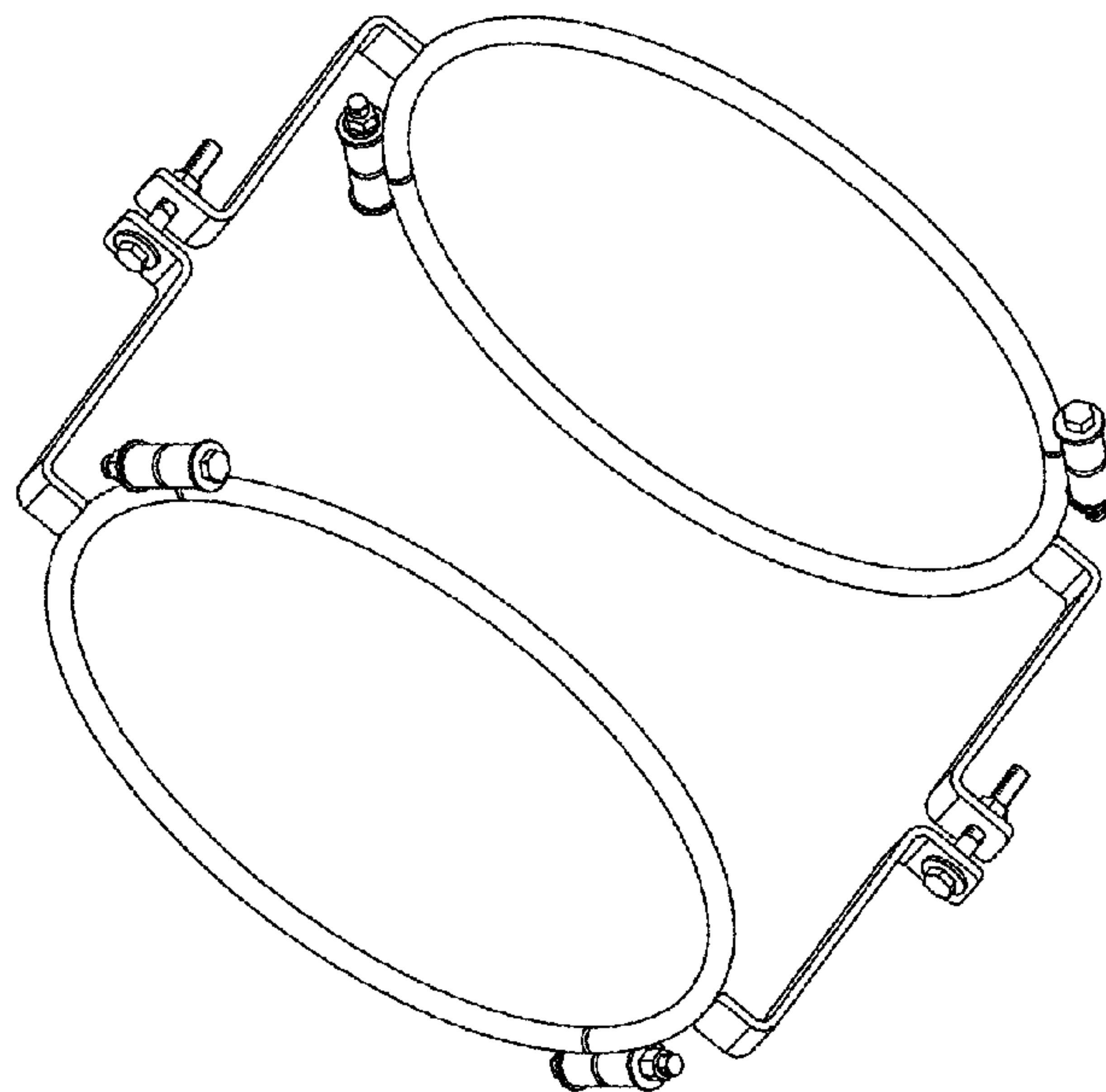
FIG. 6 is a top plan view thereof;

FIG. 7 is a front view thereof; and,

FIG. 8 is a back view thereof.

The broken line showing of a tube in FIG. 2 demonstrates the environment only and forms no part of the claimed design.

1 Claim, 4 Drawing Sheets



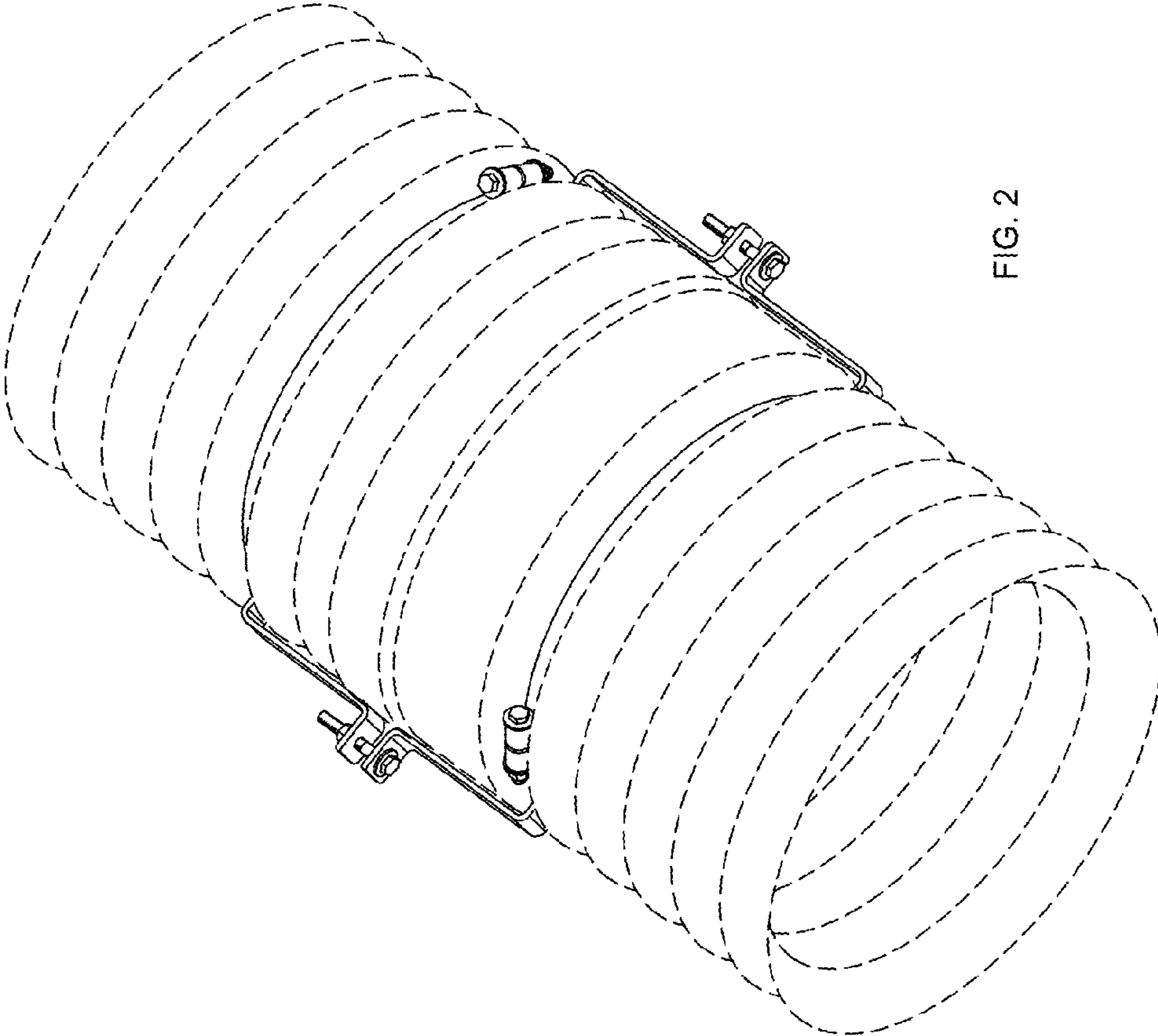


FIG. 2

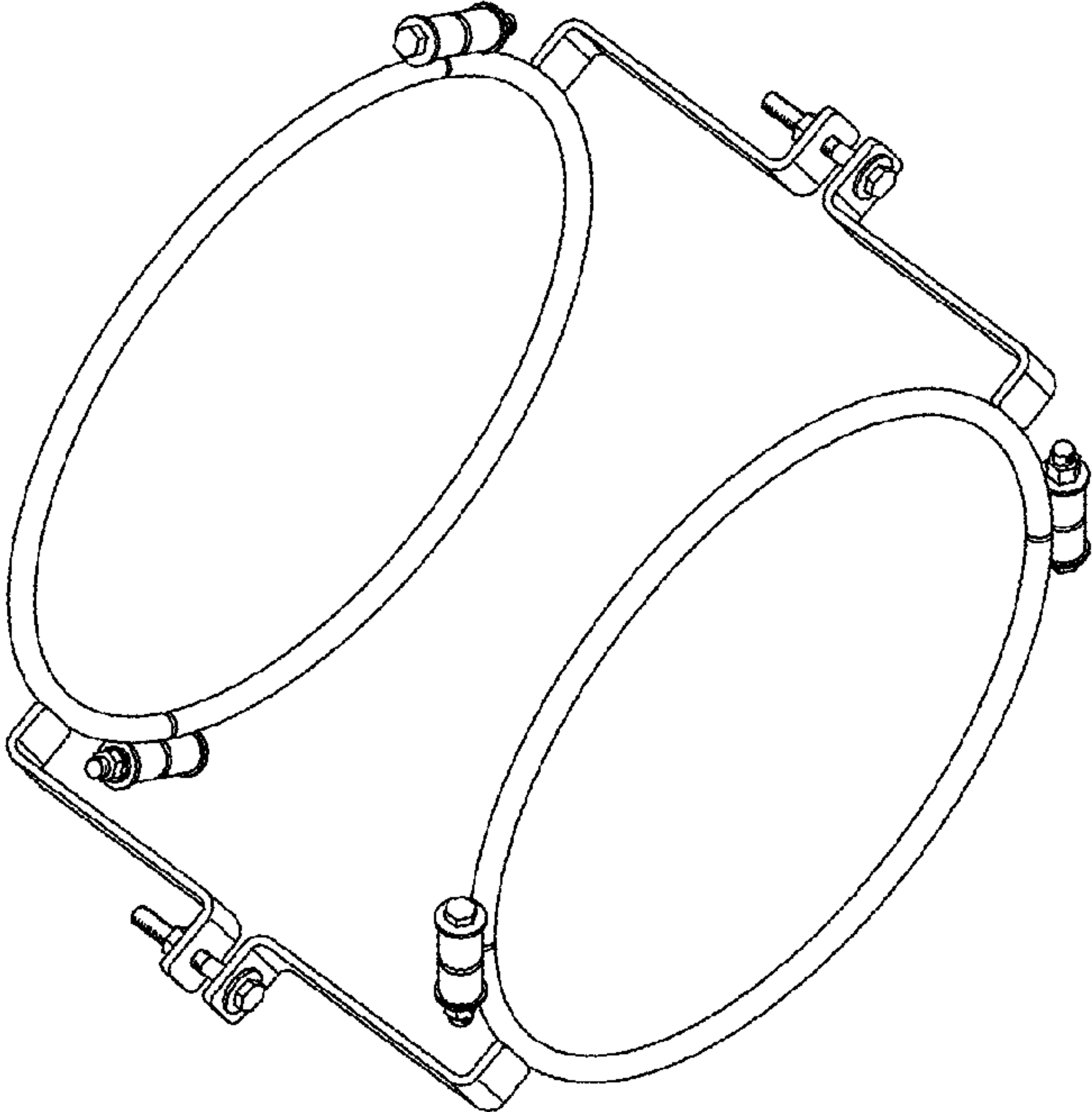


FIG. 1.

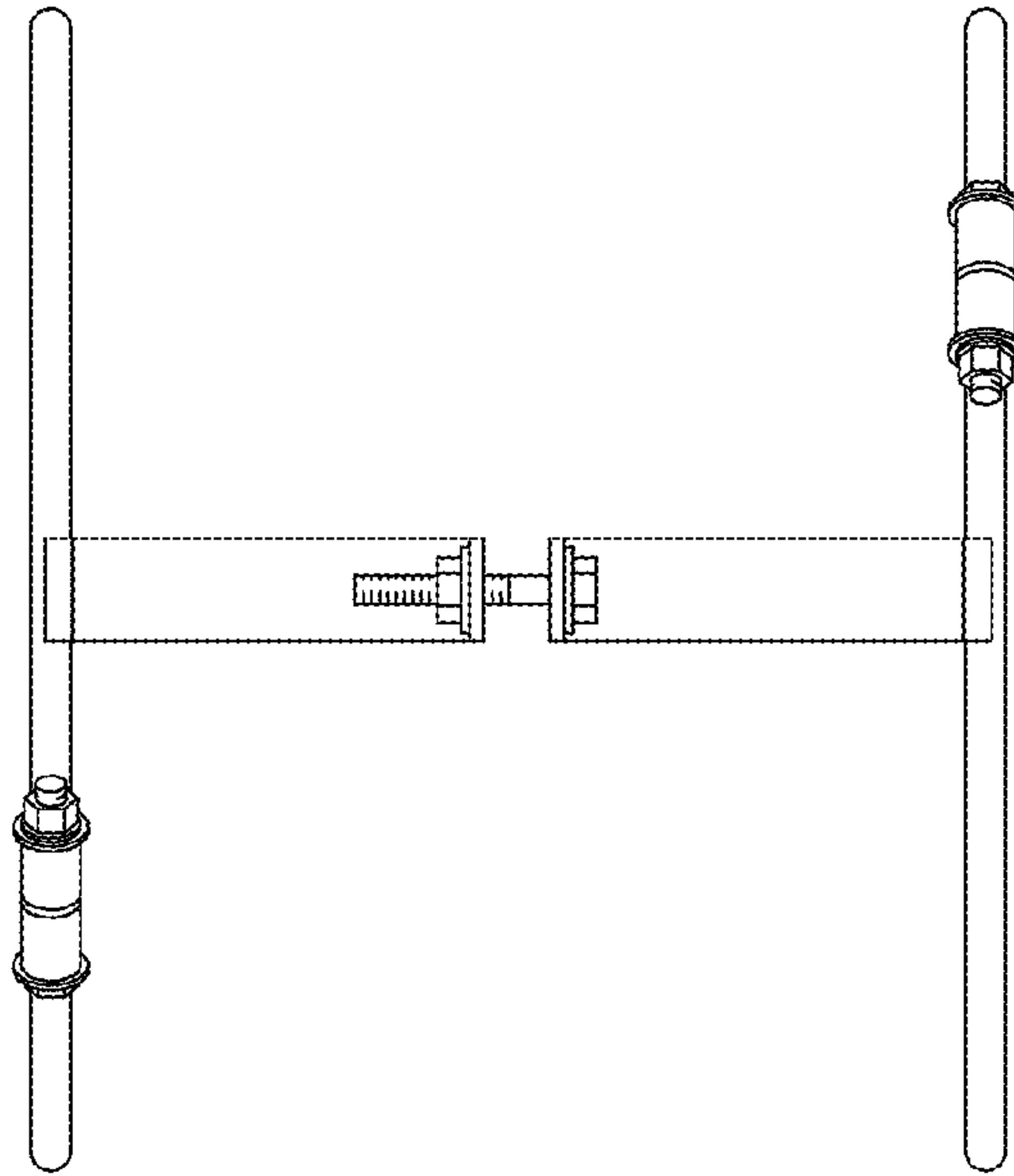


FIG. 4

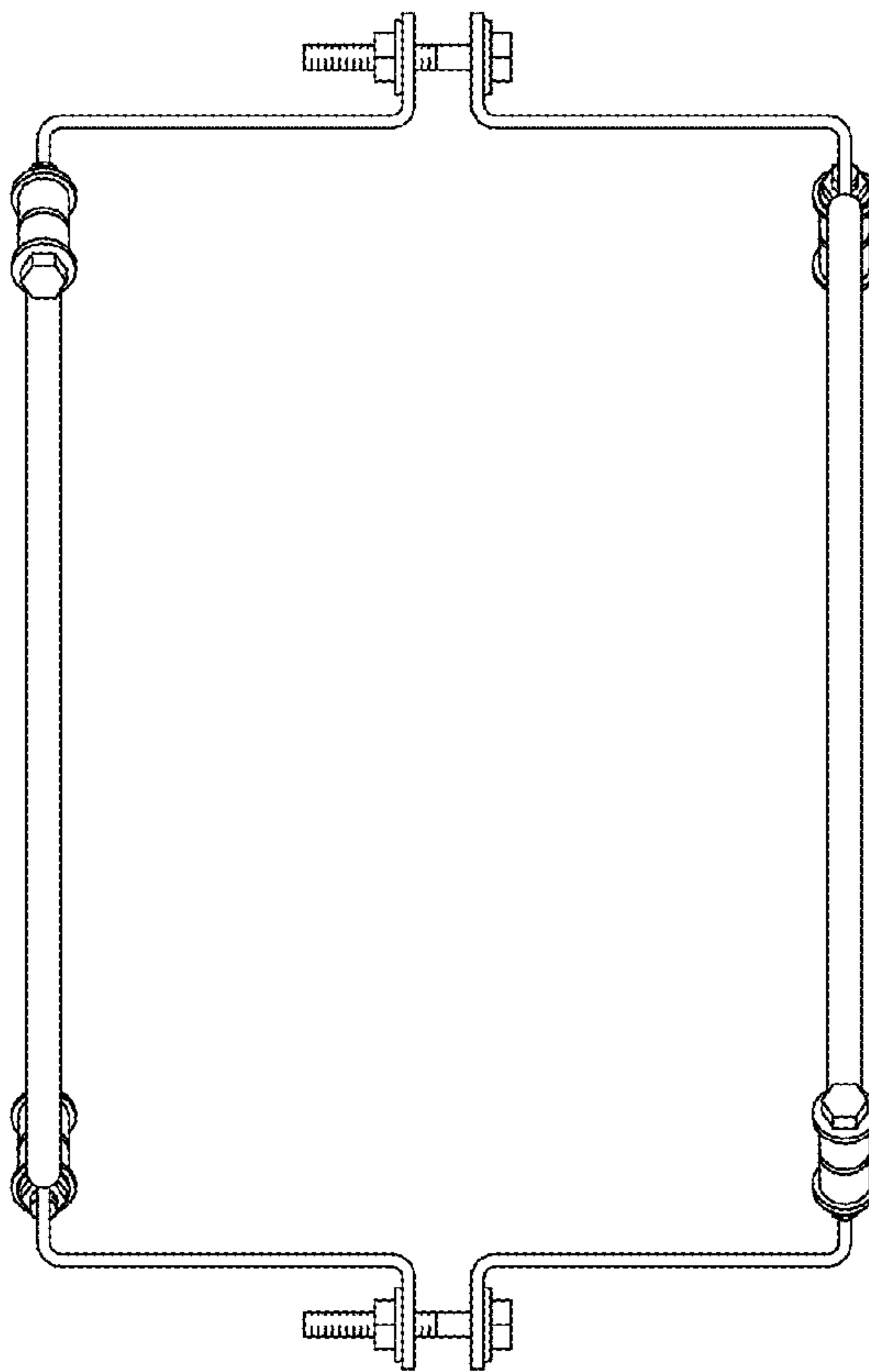


FIG. 3

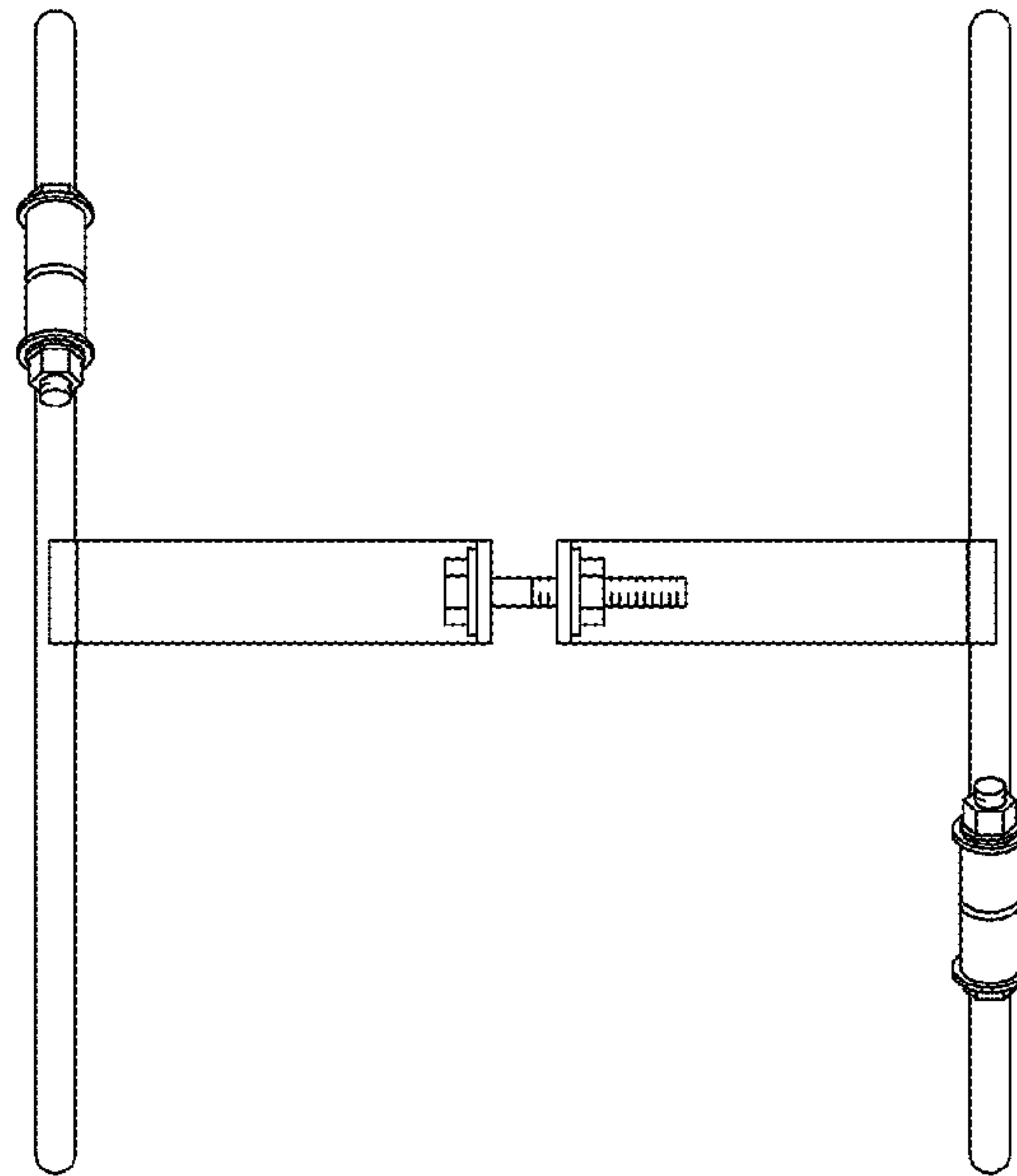


FIG. 6

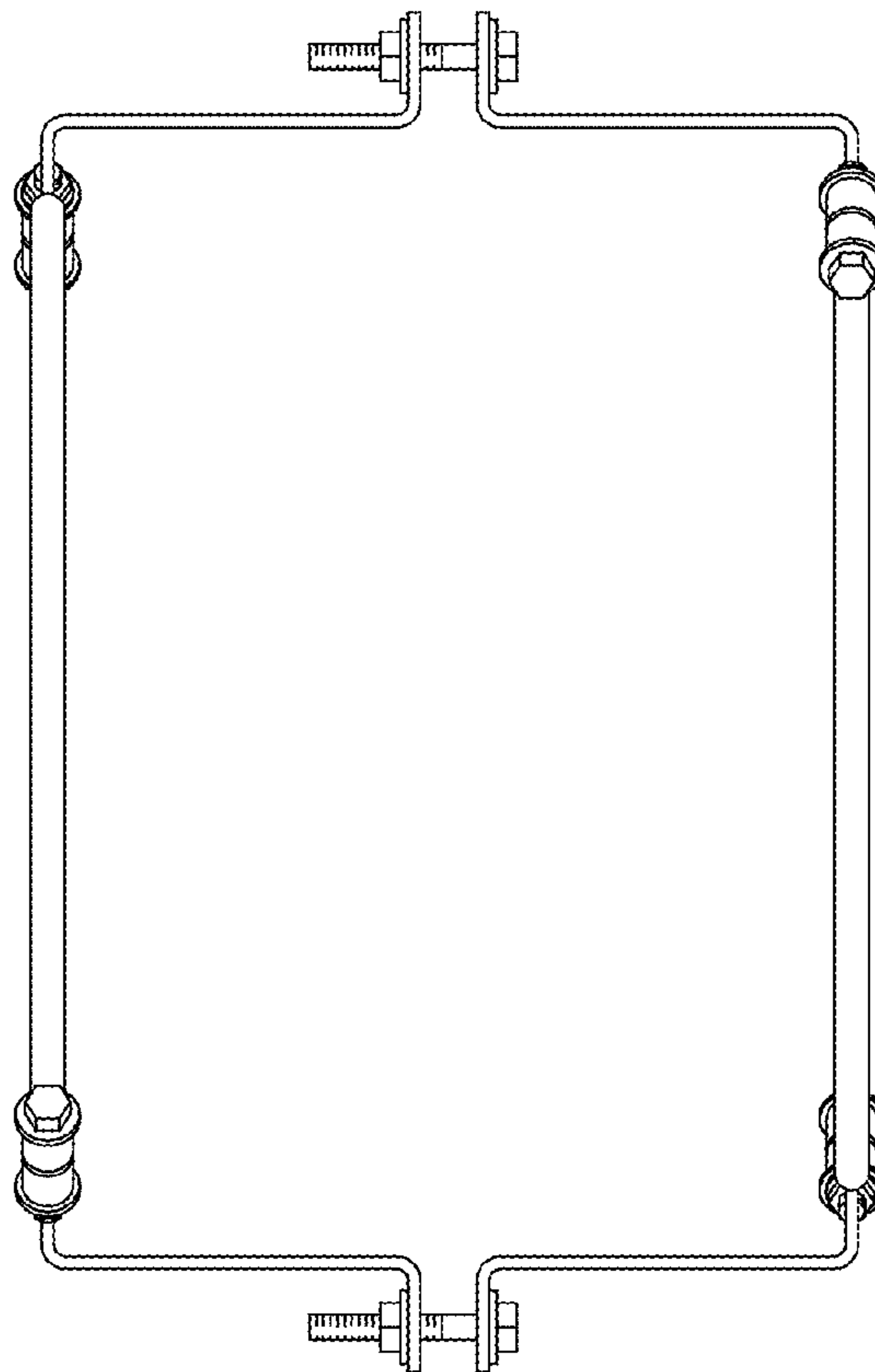


FIG. 5

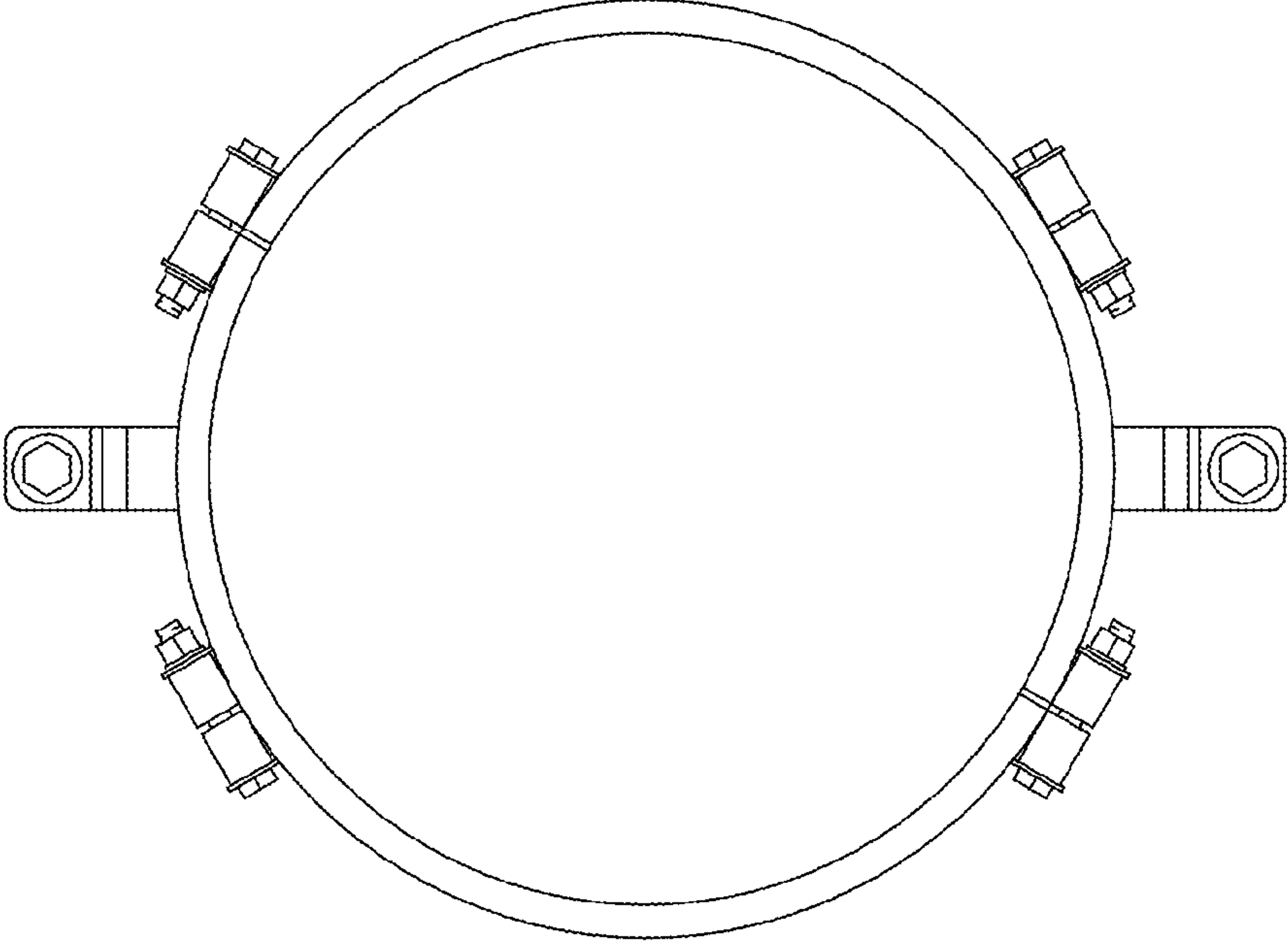


FIG. 8

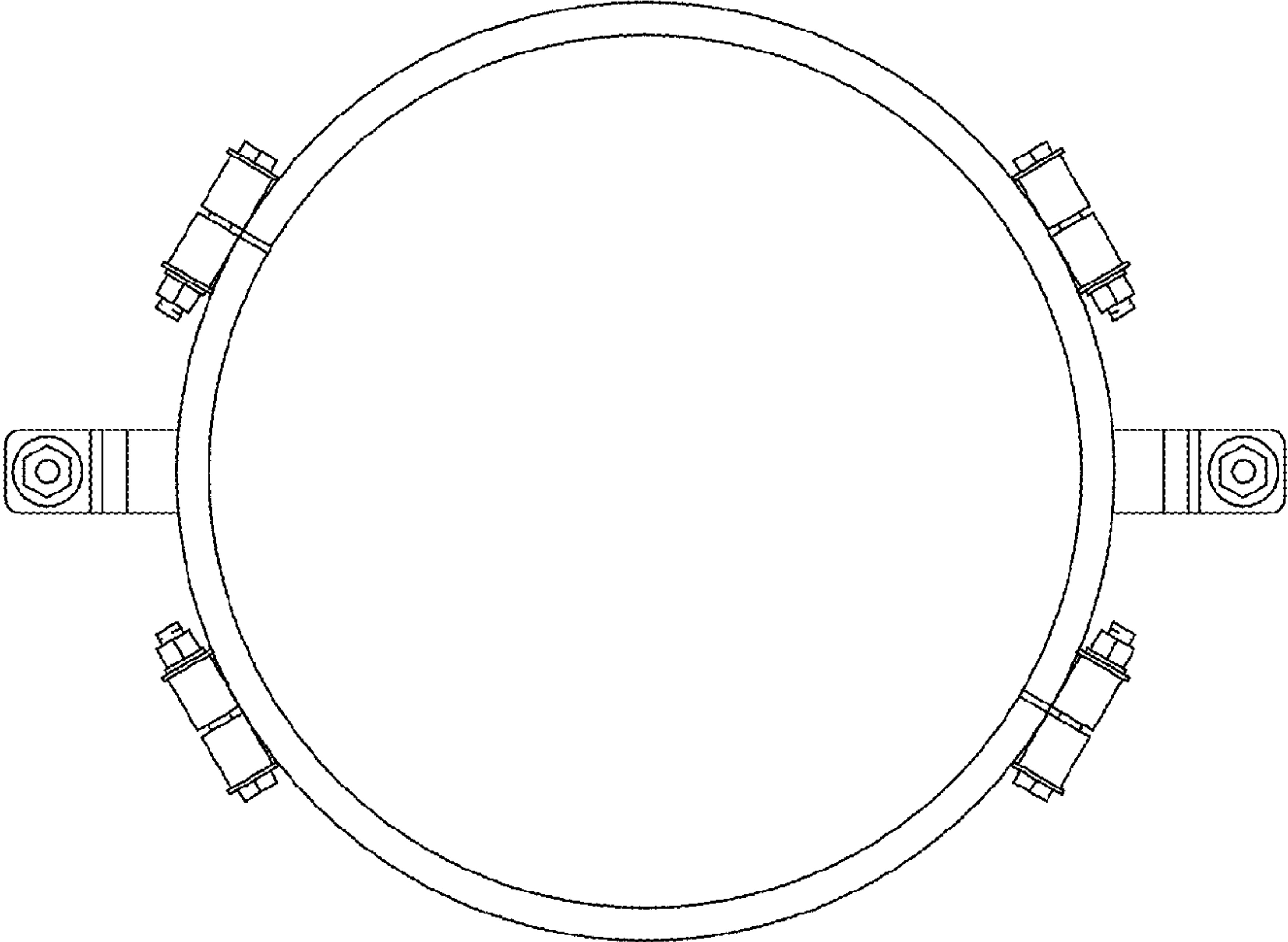


FIG. 7