



US00D717407S

(12) **United States Design Patent**
Du

(10) **Patent No.:** **US D717,407 S**

(45) **Date of Patent:** **** Nov. 11, 2014**

(54) **TEMPORARY REMOVABLE PIPE PLUG**

(71) Applicant: **Binh T. Du**, Stanton, CA (US)

(72) Inventor: **Binh T. Du**, Stanton, CA (US)

(**) Term: **14 Years**

(21) Appl. No.: **29/481,506**

(22) Filed: **Feb. 6, 2014**

(51) **LOC (10) Cl.** **23-01**

(52) **U.S. Cl.**
USPC **D23/260**

(58) **Field of Classification Search**
USPC D23/259, 260, 261, 262, 263, 264, 265,
D23/266, 267, 268; 138/82.2, 89, 89.3, 90,
138/96 R, 96 T; D15/5; 220/236; 4/292, 293,
4/294, 295

See application file for complete search history.

(56) **References Cited**

U.S. PATENT DOCUMENTS

1,808,411	A *	6/1931	Hinkston	220/236
2,245,887	A *	6/1941	Wikander	4/295
2,590,860	A *	4/1952	Hoebeke	138/90
2,993,616	A *	7/1961	Carlile, Jr. et al.	220/235
4,683,597	A *	8/1987	Taylor et al.	4/295
4,848,734	A *	7/1989	Ford	254/134.4
5,086,522	A *	2/1992	Stofko, Sr.	4/295
D326,408	S *	5/1992	Smith	D8/499
5,184,698	A *	2/1993	Coffenberry	184/1.5
D341,142	S *	11/1993	Rogers et al.	D15/5
5,297,581	A *	3/1994	Godfrey	138/94
6,883,546	B1 *	4/2005	Kobylinski	138/89
D603,251	S *	11/2009	King	D8/387
D605,733	S *	12/2009	Cavalieri	D23/261
2006/0225801	A1 *	10/2006	Field	138/89

OTHER PUBLICATIONS

Hand Tightening Aluminum Body Test Plugs, Pipe Plugs and Stoppers, petersenproducts.com, Searched Sep. 23, 2014, http://www.petersenproducts.com/149-1_pipe_plug.aspx.*

* cited by examiner

Primary Examiner — Eric Goodman

Assistant Examiner — Steven Czyz

(74) *Attorney, Agent, or Firm* — Richard D. Clarke

(57) **CLAIM**

I claim the ornamental design for a temporary removable pipe plug, as shown and described.

DESCRIPTION

FIG. 1 is an exploded top, front perspective view of a temporary removable pipe plug;

FIG. 2 is a top plan view of the temporary removable pipe plug wherein the bottom plan view is identical, and showing an open end pipe where the device would be inserted;

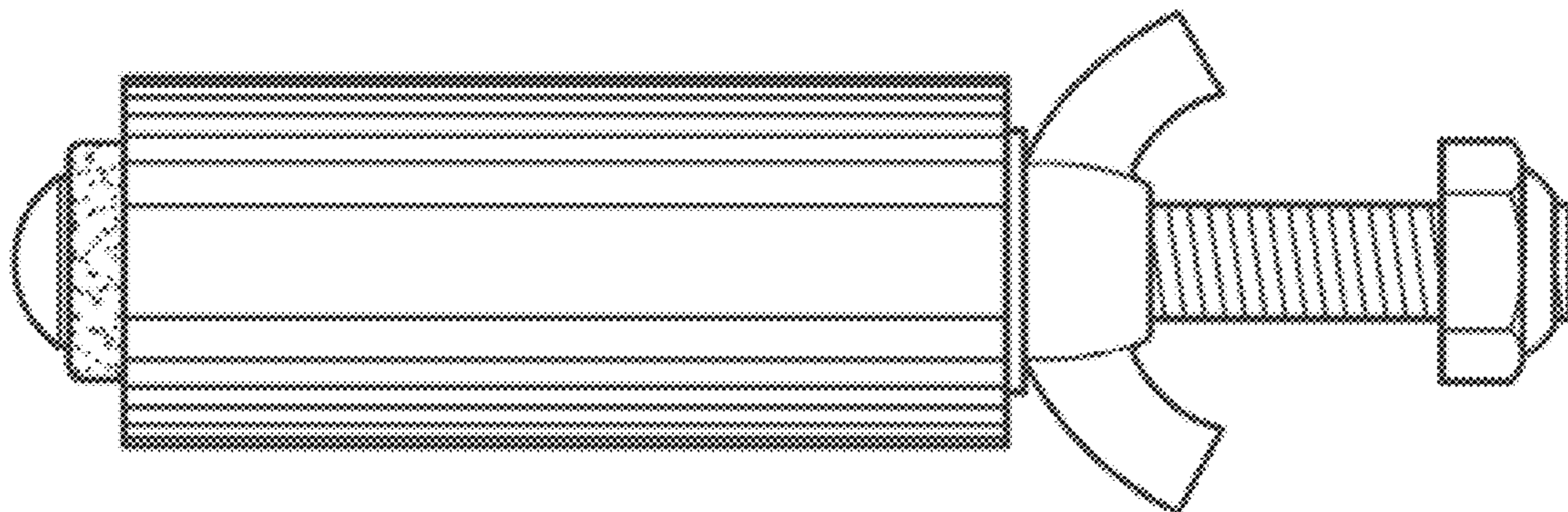
FIG. 3 is a front elevation view of the temporary removable pipe plug;

FIG. 4 is a right side elevation view of the temporary removable pipe plug, wherein the left side elevation view is identical; and,

FIG. 5 is a bottom deviation view of the temporary removable pipe plug.

The broken line showing of environment in FIG. 2 is included for the purpose of illustration and forms no part of the claimed design.

1 Claim, 1 Drawing Sheet



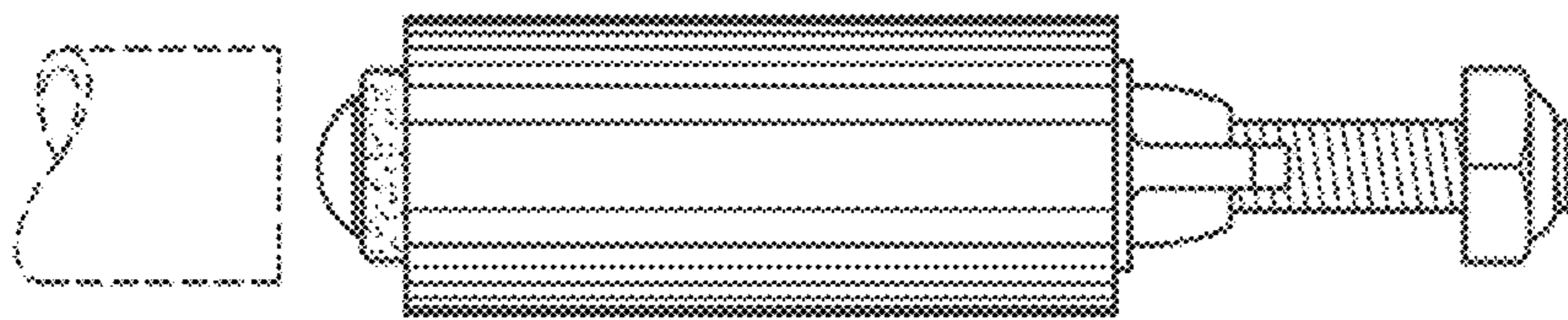
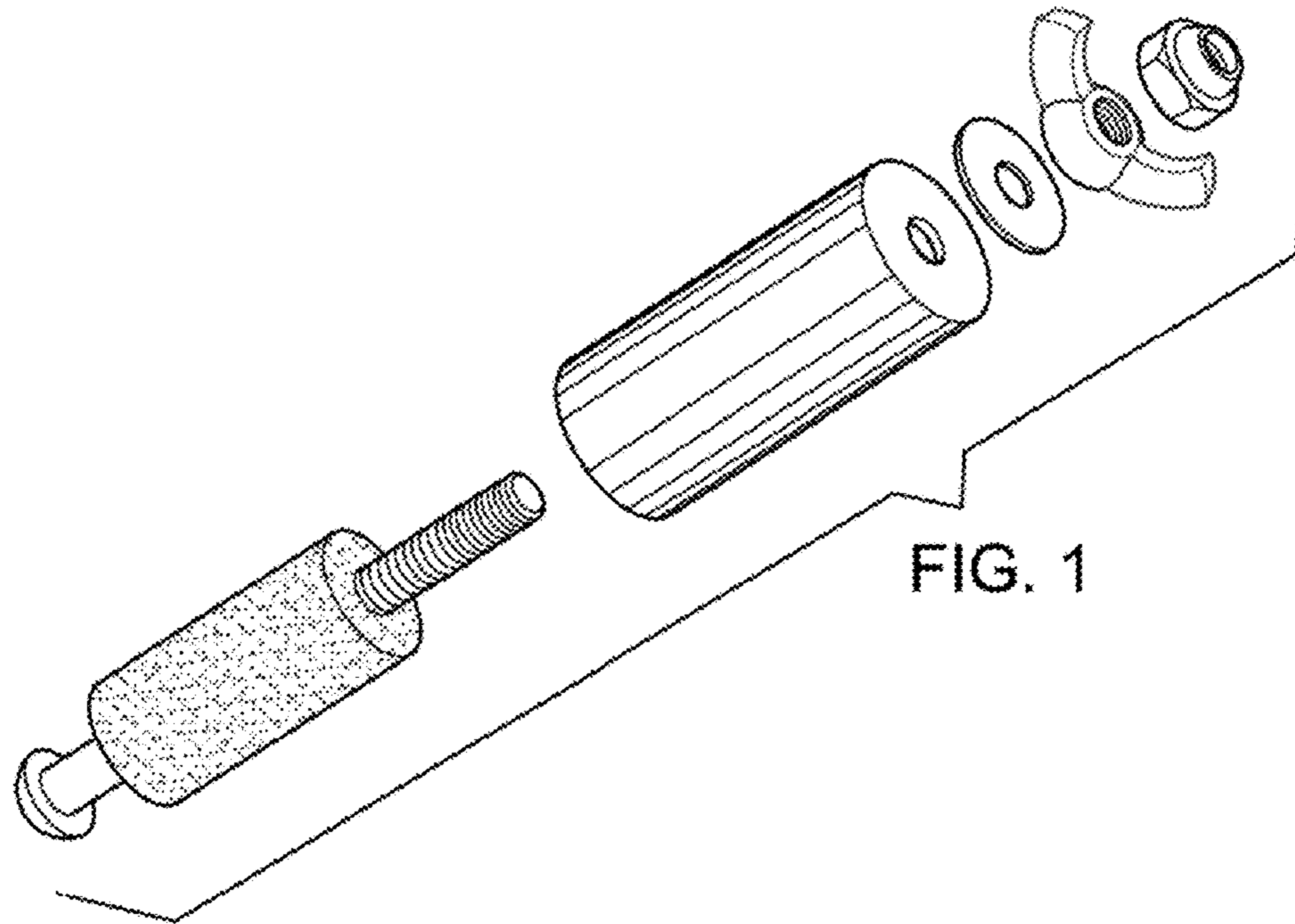


FIG. 2

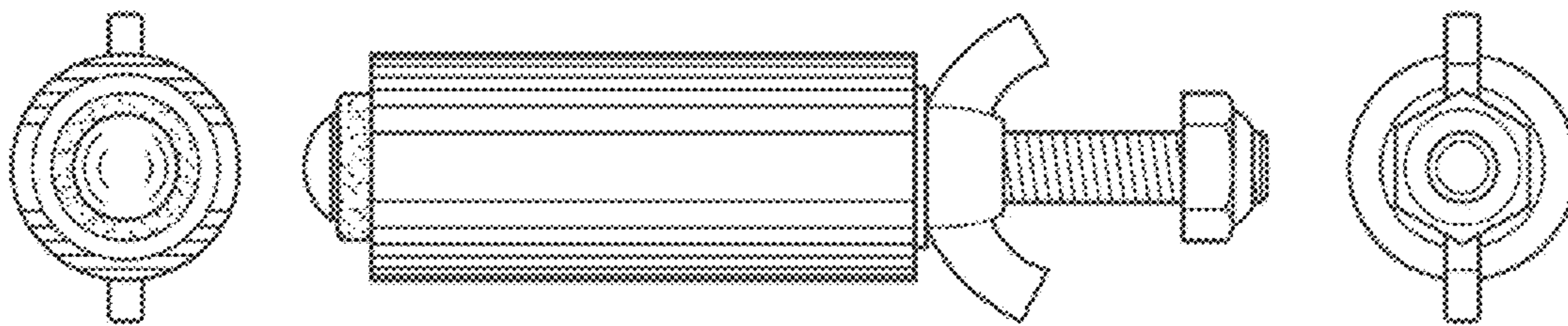


FIG. 3

FIG. 4

FIG. 5