



US00D717406S

(12) **United States Design Patent**
Stanley et al.

(10) **Patent No.:** **US D717,406 S**

(45) **Date of Patent:** **** Nov. 11, 2014**

(54) **BACKWASH FITTING**

(71) Applicant: **Enviro Water Solutions, Inc.**, Deland,
FL (US)

(72) Inventors: **Ronald E. Stanley**, New Smyrna, FL
(US); **Richie E. Stanley**, New Smyrna,
FL (US); **Chad C. Galloway**, New
Smyrna, FL (US)

(73) Assignee: **Enviro Water Solutions, Inc.**, Deland,
FL (US)

(**) Term: **14 Years**

(21) Appl. No.: **29/439,325**

(22) Filed: **Dec. 10, 2012**

(51) **LOC (10) Cl.** **23-01**

(52) **U.S. Cl.**
USPC **D23/259**

(58) **Field of Classification Search**
USPC D8/382, 387; D13/155; D24/129;
285/58, 83; 138/109; 123/468
See application file for complete search history.

(56) **References Cited**

U.S. PATENT DOCUMENTS

2,343,647	A	*	3/1944	Doerr	239/457
2,347,476	A	*	4/1944	Graham	239/458
2,783,094	A	*	2/1957	Storie	239/458
3,550,861	A	*	12/1970	Teson	239/546
3,980,325	A	*	9/1976	Robertson	285/249
D315,393	S	*	3/1991	Presman	D23/213
D320,841	S	*	10/1991	Breadmont	D23/262
D441,848	S	*	5/2001	Huang	D23/261
D462,109	S	*	8/2002	Adams	D23/213
D471,954	S	*	3/2003	Chen	D23/213

D473,286	S	*	4/2003	Bonzer	D23/213
D482,428	S	*	11/2003	Fulwider	D23/213
D501,396	S	*	2/2005	Frattarola	D8/387
D569,955	S	*	5/2008	Chen	D23/262
D583,026	S	*	12/2008	Dirneder	D23/262
D594,938	S	*	6/2009	Dirneder	D23/262
D608,424	S	*	1/2010	Katsuta et al.	D23/266
D658,268	S	*	4/2012	Bonzer	D23/213
D661,785	S	*	6/2012	Johnson	D23/262
D681,434	S	*	5/2013	Wang	D8/387
D690,418	S	*	9/2013	Rosenquist	D24/129
D690,798	S	*	10/2013	Bonzer	D23/213

* cited by examiner

Primary Examiner — Eric Goodman

Assistant Examiner — John Reickel

(74) *Attorney, Agent, or Firm* — Wood, Phillips, Katz, Clark
& Mortimer

(57) **CLAIM**

The ornamental design for a backwash fitting, as shown and described.

DESCRIPTION

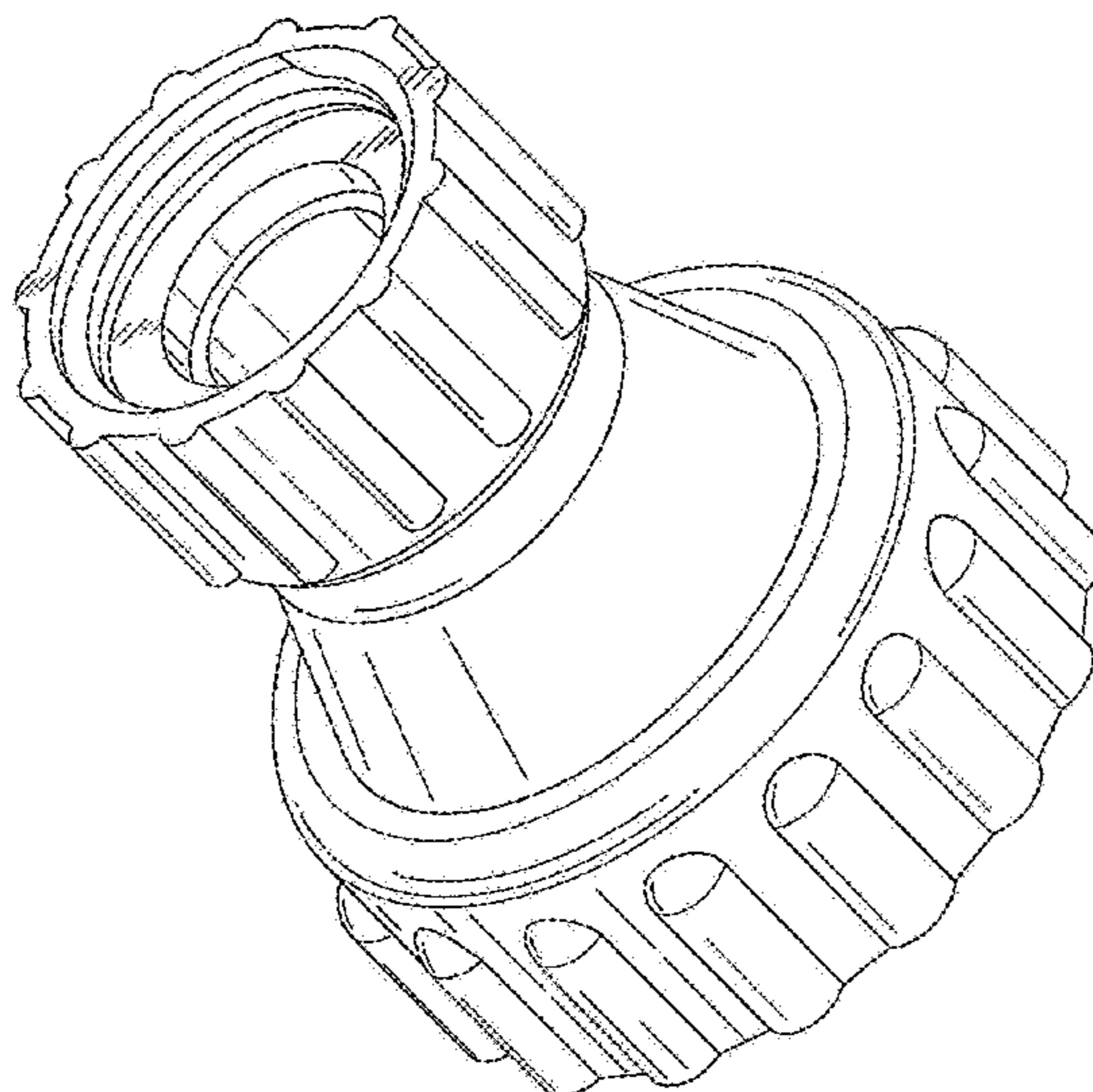
FIG. 1 is a perspective view from below and to the right front of the backwash fitting;

FIG. 2 is a side view of the backwash fitting, wherein the opposite side view and top and bottom views being the same; FIG. 3 is a view of the backwash fitting from the left of FIG. 2; and,

FIG. 4 is a view of the backwash fitting from the right of FIG. 2.

The circular area inside the broken line of FIG. 4 forms no part of the claimed design, and the broken line in FIG. 4 is included for the purpose of illustrating portions of the backwash fitting and forms no part of the claimed design.

1 Claim, 2 Drawing Sheets



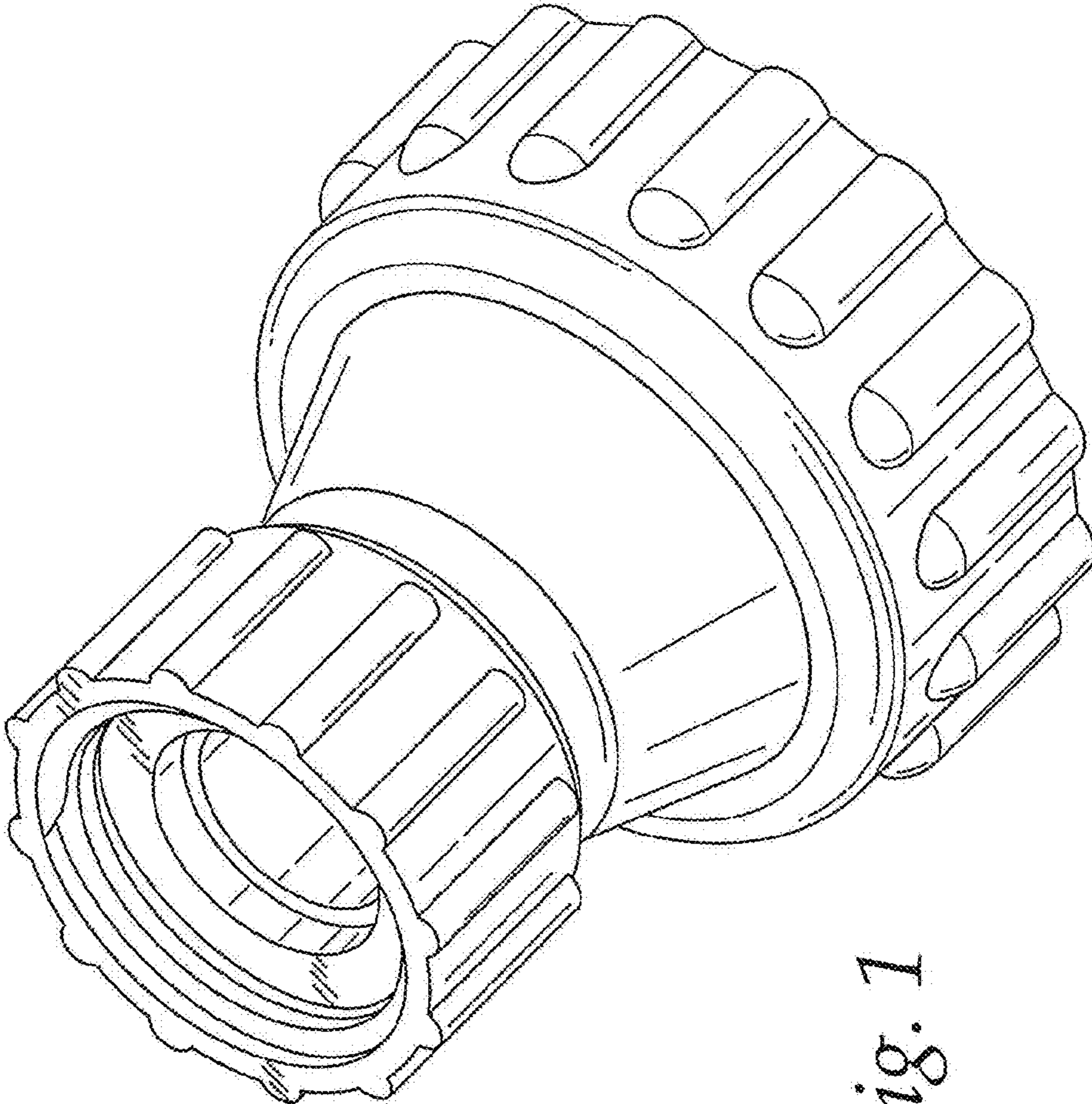


Fig. 1

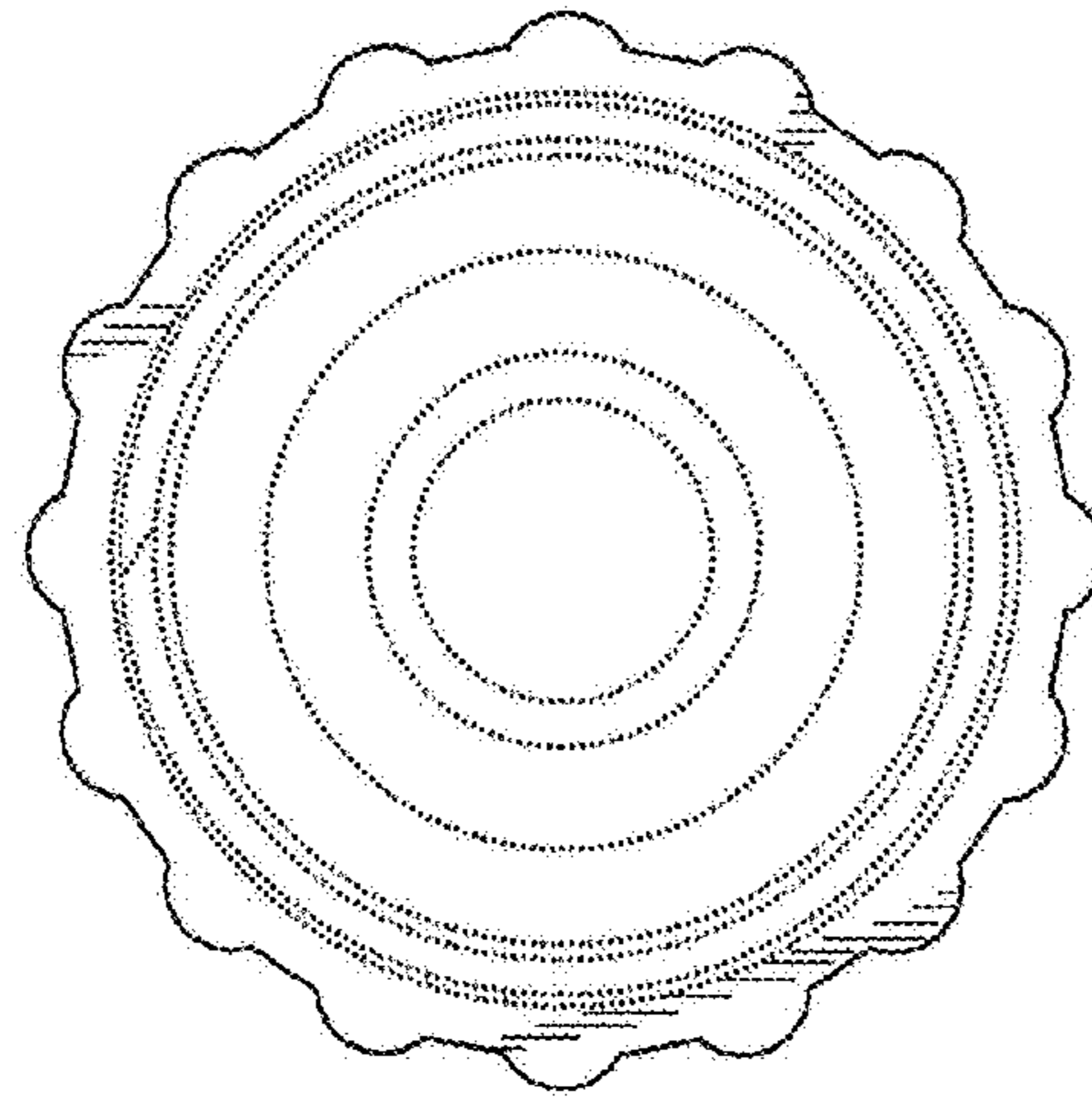


Fig. 4

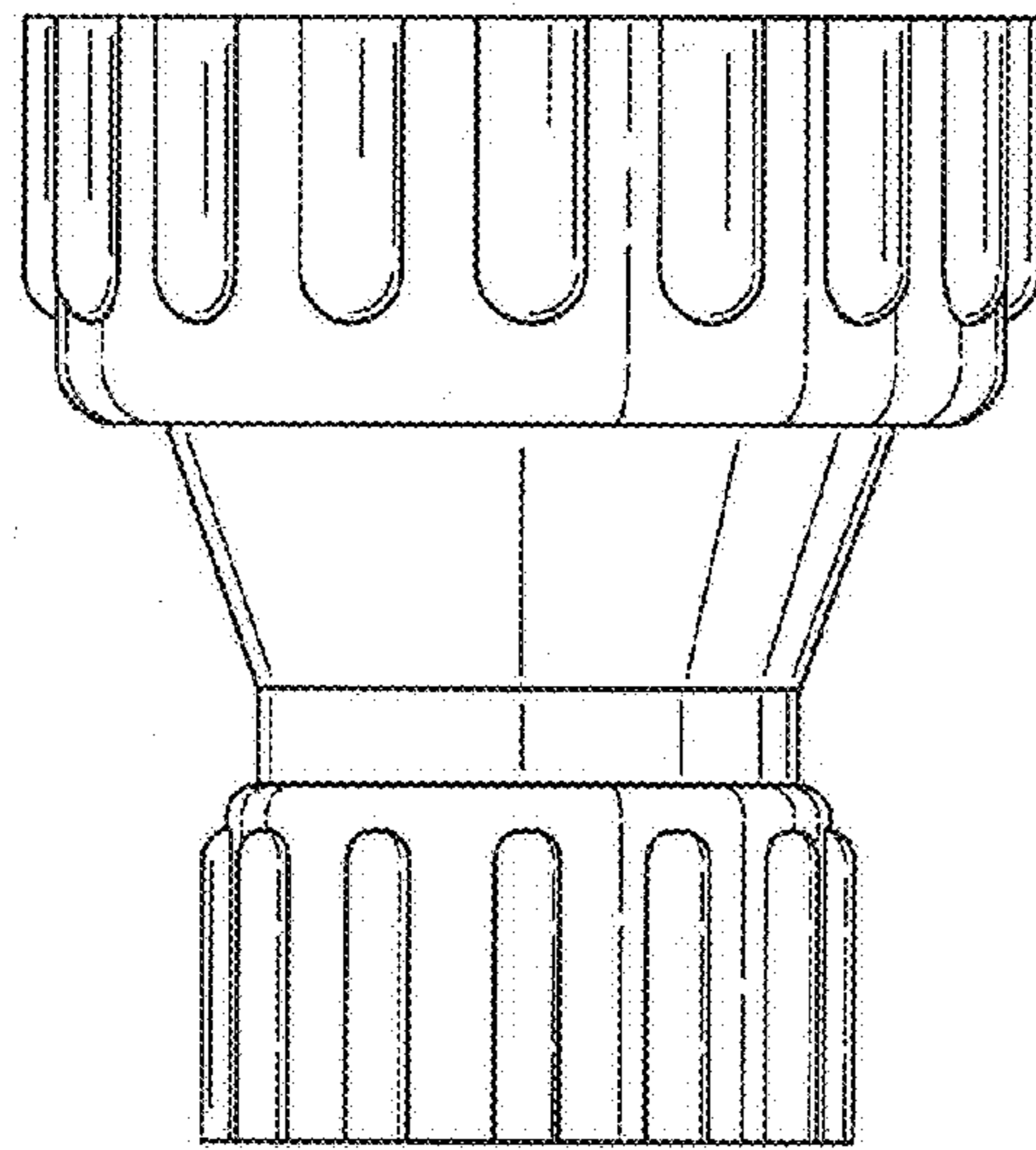


Fig. 2

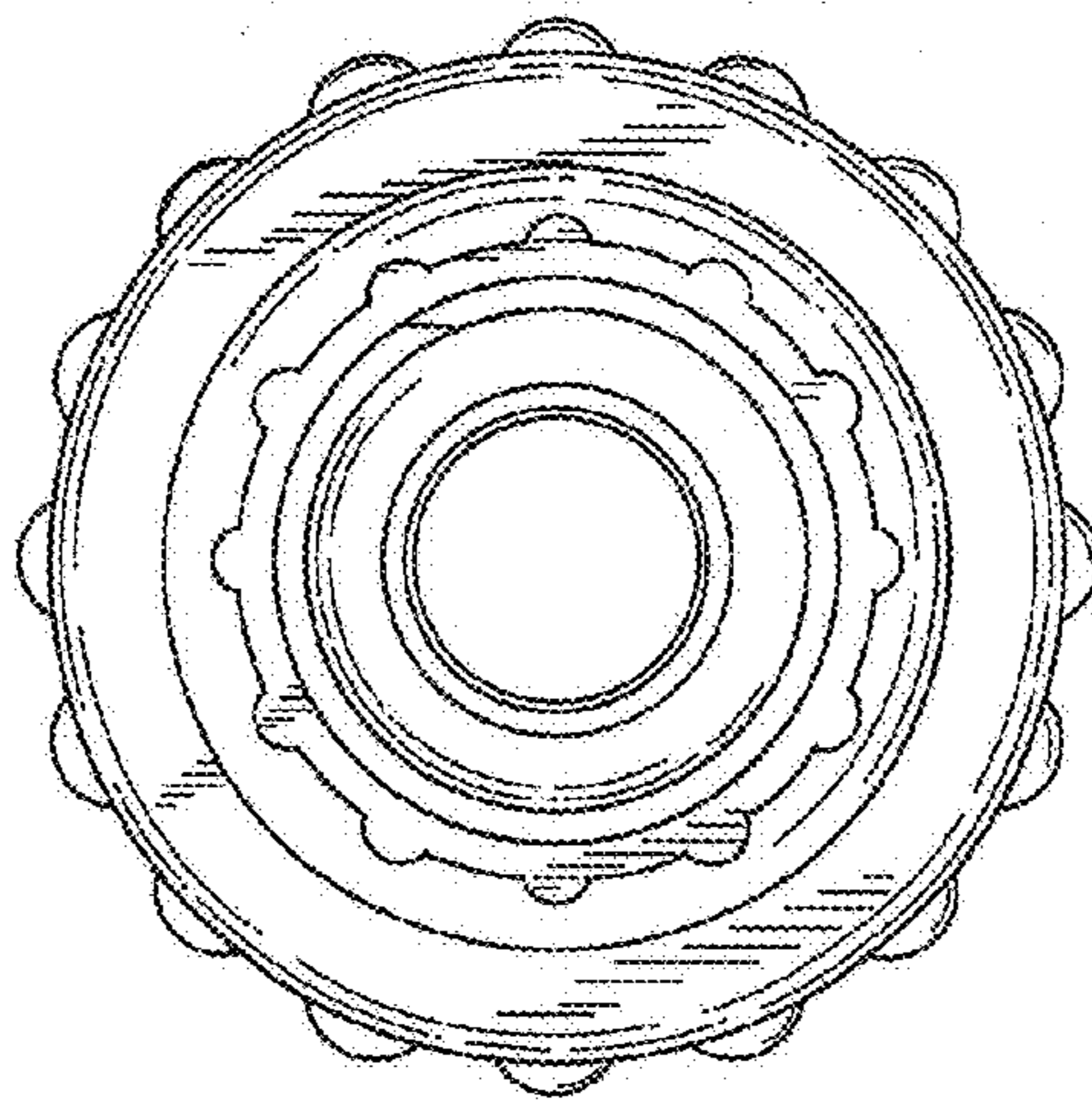


Fig. 3