



US00D717405S

(12) **United States Design Patent**
Coronado

(10) **Patent No.:** **US D717,405 S**

(45) **Date of Patent:** **** Nov. 11, 2014**

(54) **SLEEVE WITH INNER DOWNWARDLY
EXTENDING INNER MEMBER**

(75) **Inventor:** **Eduardo Coronado**, San Pedro Garza
Garcia (MX)

(73) **Assignee:** **Coflex S.A. de C.V.** (MX)

(**) **Term:** **14 Years**

(21) **Appl. No.:** **29/428,903**

(22) **Filed:** **Aug. 3, 2012**

(51) **LOC (10) Cl.** **23-01**

(52) **U.S. Cl.**
USPC **D23/259**

(58) **Field of Classification Search**
USPC D23/259-269; D8/382, 387; D13/155;
D24/129; 285/58, 83; 138/109;
123/468
See application file for complete search history.

(56) **References Cited**

U.S. PATENT DOCUMENTS

2,641,376	A *	6/1953	Parziale et al.	141/352
3,016,161	A *	1/1962	Peplin	220/86.2
3,388,705	A *	6/1968	Grosshandler	128/207.14
D221,078	S *	7/1971	Seckel et al.	D23/266
4,483,556	A *	11/1984	LiVolsi	285/252
4,575,128	A *	3/1986	Sundquist	285/9.2
D298,605	S *	11/1988	Colgan et al.	D8/382
4,832,238	A *	5/1989	Taylor	222/529

4,852,564	A *	8/1989	Sheridan et al.	128/202.27
4,921,147	A *	5/1990	Poirier	222/527
5,020,702	A *	6/1991	James	222/529
D356,858	S *	3/1995	Folkman	D23/266
5,417,460	A *	5/1995	Lunder	285/253
D385,956	S *	11/1997	Doughty et al.	D23/259
5,722,570	A *	3/1998	Sultzter et al.	222/529
D400,670	S *	11/1998	Sorkin	D23/393
5,934,522	A *	8/1999	Canela et al.	222/527
D427,668	S *	7/2000	Stout, Jr.	D23/262
D430,482	S *	9/2000	Stout, Jr.	D8/382
6,312,021	B1 *	11/2001	Thomas	285/253
6,398,266	B1 *	6/2002	Crump	285/226
6,764,102	B2 *	7/2004	Ezura	285/45
D524,427	S *	7/2006	Wilk et al.	D23/262
D631,542	S *	1/2011	DeGross et al.	D24/129
D698,415	S *	1/2014	Wyne	D23/213
D699,320	S *	2/2014	Wyne	D23/213

* cited by examiner

Primary Examiner — Eric Goodman

Assistant Examiner — John Reickel

(74) *Attorney, Agent, or Firm* — Baker & McKenzie LLP

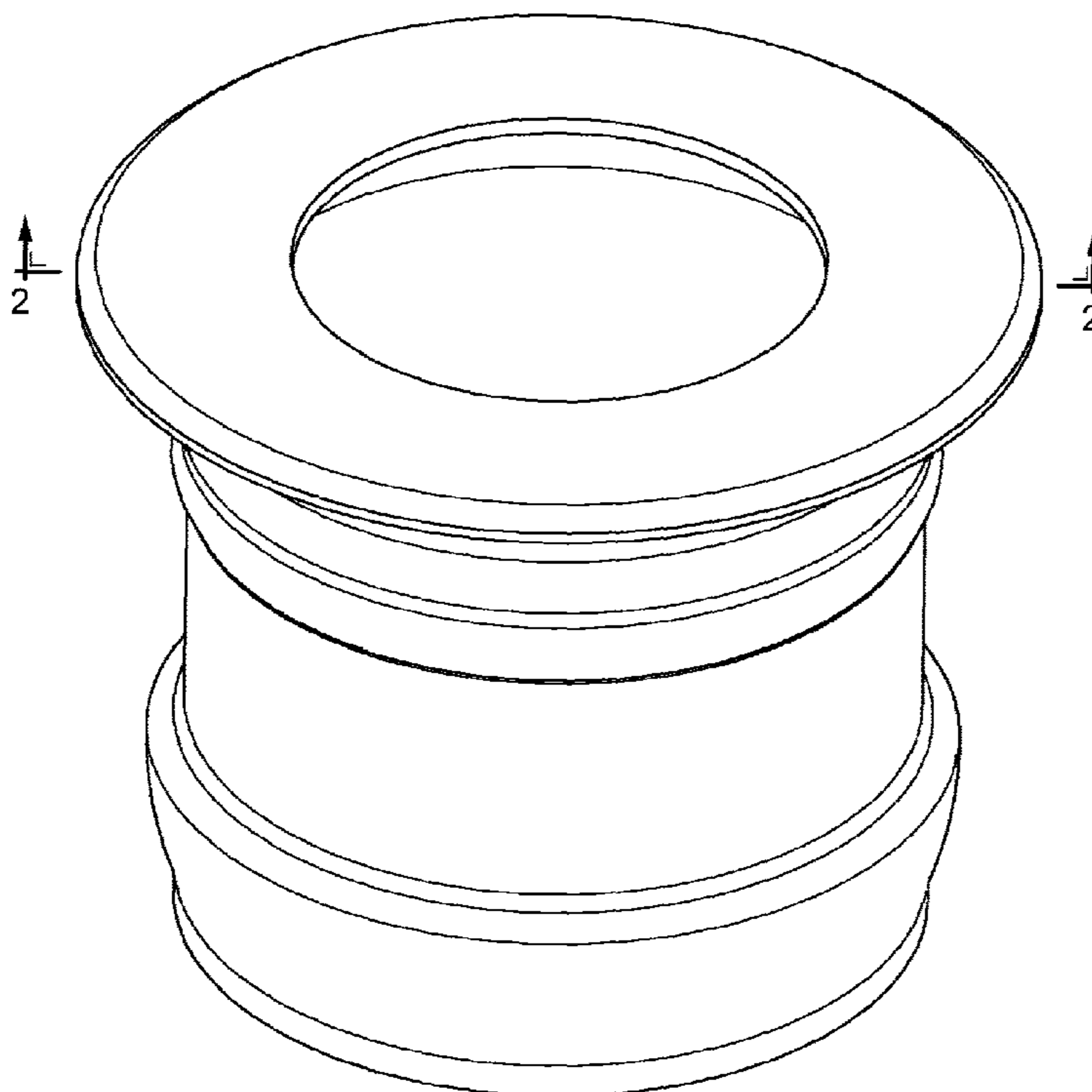
(57) **CLAIM**

The ornamental design for a sleeve with inner downwardly extending inner member, as shown and described.

DESCRIPTION

FIG. 1 is a perspective view of a sleeve in accordance with my design; and,
FIG. 2 is a sectional view along line 2-2 as shown in FIG. 1.

1 Claim, 2 Drawing Sheets



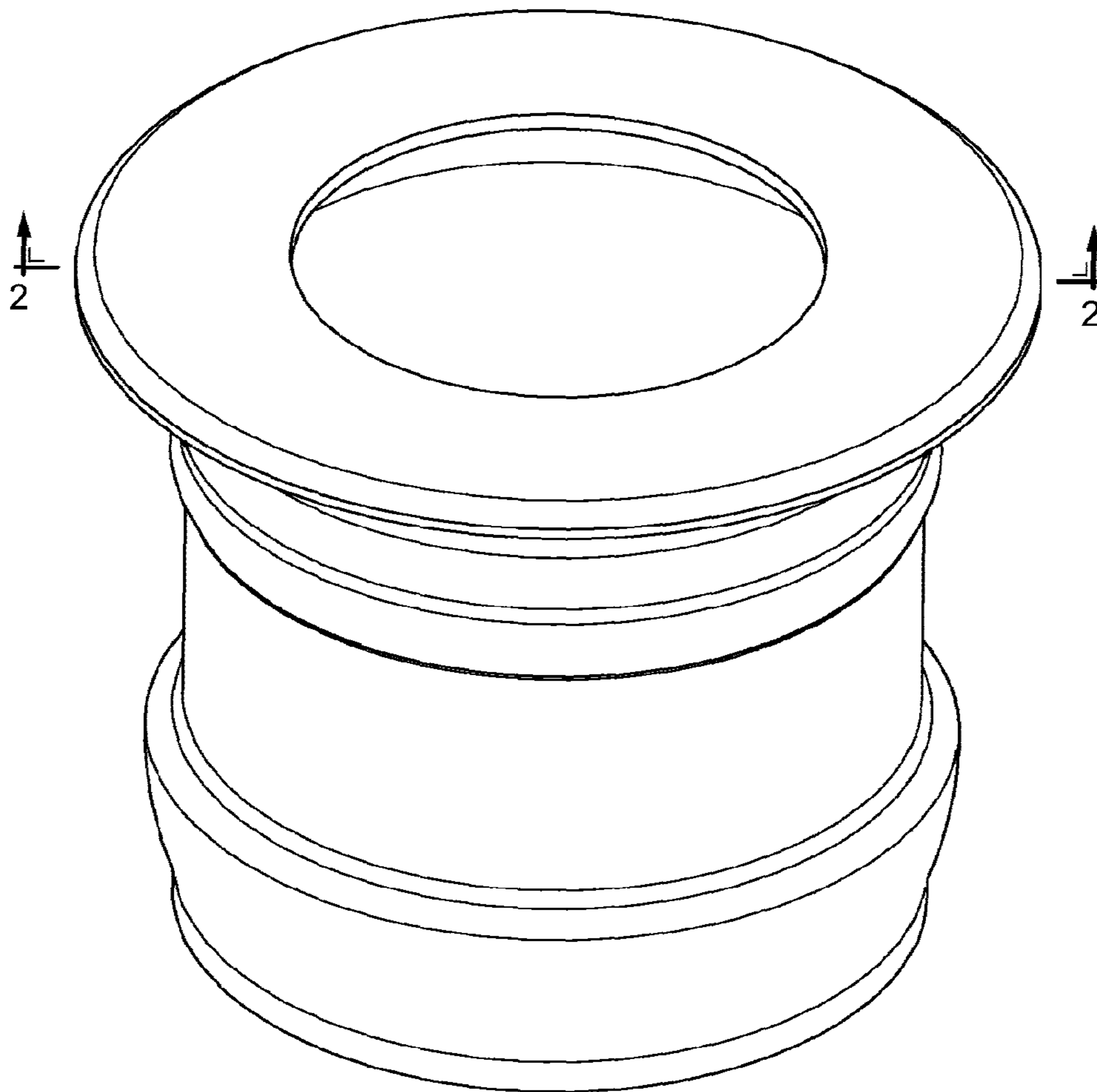


FIG. 1

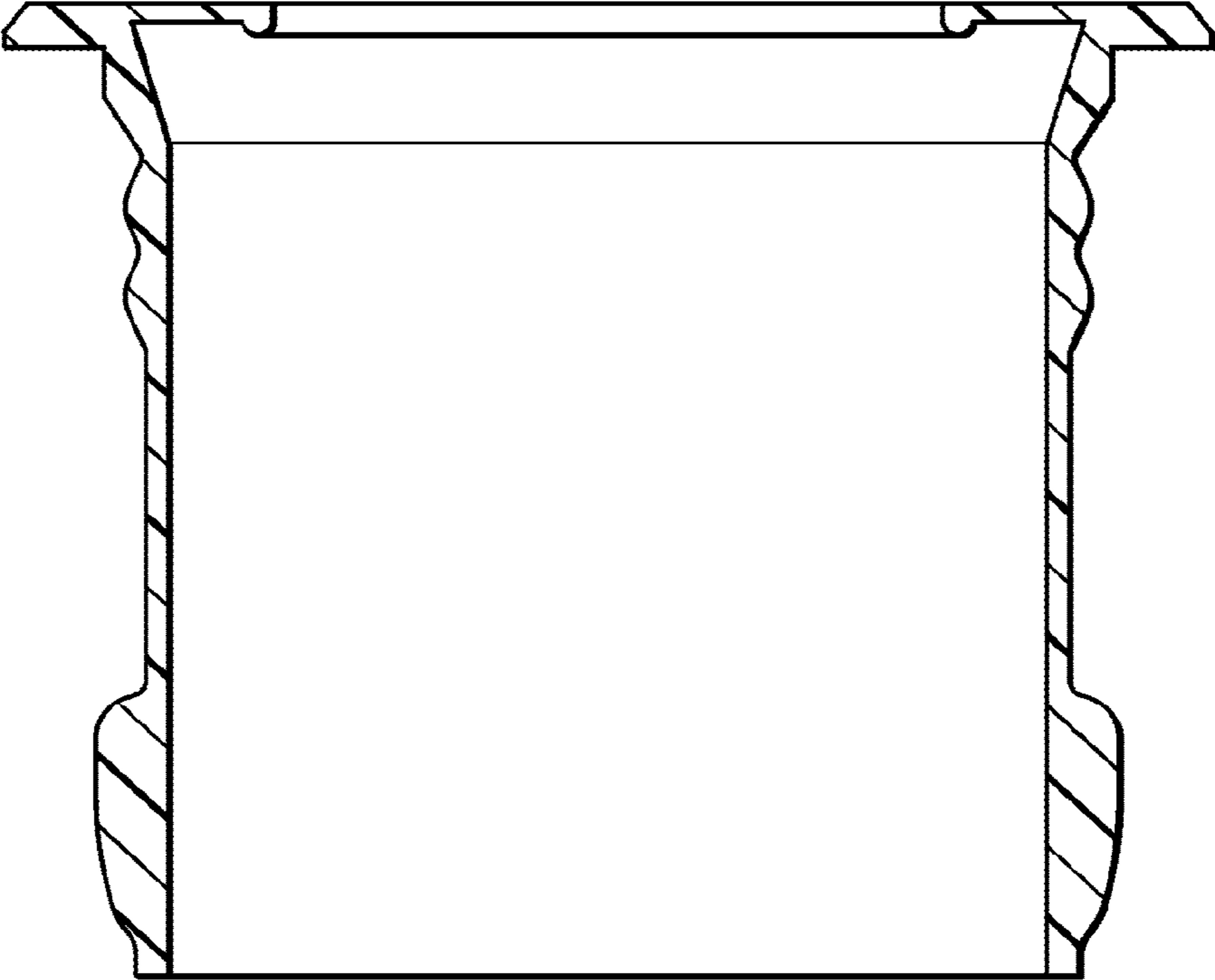


FIG. 2