



US00D717404S

(12) **United States Design Patent**
Bailey et al.

(10) **Patent No.:** **US D717,404 S**

(45) **Date of Patent:** **** Nov. 11, 2014**

(54) **VALVE SHROUD**

D699,322 S * 2/2014 Matias et al. D23/233
D701,943 S * 4/2014 Gaertner D23/233
D704,307 S * 5/2014 Lloyd D23/249

(71) Applicant: **Waxman Consumer Products Group Inc.**, Bedford Heights, OH (US)

* cited by examiner

(72) Inventors: **Mitchell Bailey**, Westlake, OH (US);
Matthew Smith, Wooster, OH (US)

Primary Examiner — Cynthia Ramirez

(74) *Attorney, Agent, or Firm* — Tarolli, Sundheim,
Covell & Tummino LLP

(73) Assignee: **Waxman Consumer Products Group Inc.**, Bedford Heights, OH (US)

(**) Term: **14 Years**

(57) **CLAIM**

The ornamental design for a valve shroud, as shown and described.

(21) Appl. No.: **29/471,383**

(22) Filed: **Oct. 31, 2013**

(51) **LOC (10) Cl.** **23-01**

(52) **U.S. Cl.**
USPC **D23/249**

(58) **Field of Classification Search**
USPC D23/233–237, 244–249; 251/59, 30.01,
251/63.5, 250, 337, 129.11, 129.12, 259;
137/556, 322

See application file for complete search history.

DESCRIPTION

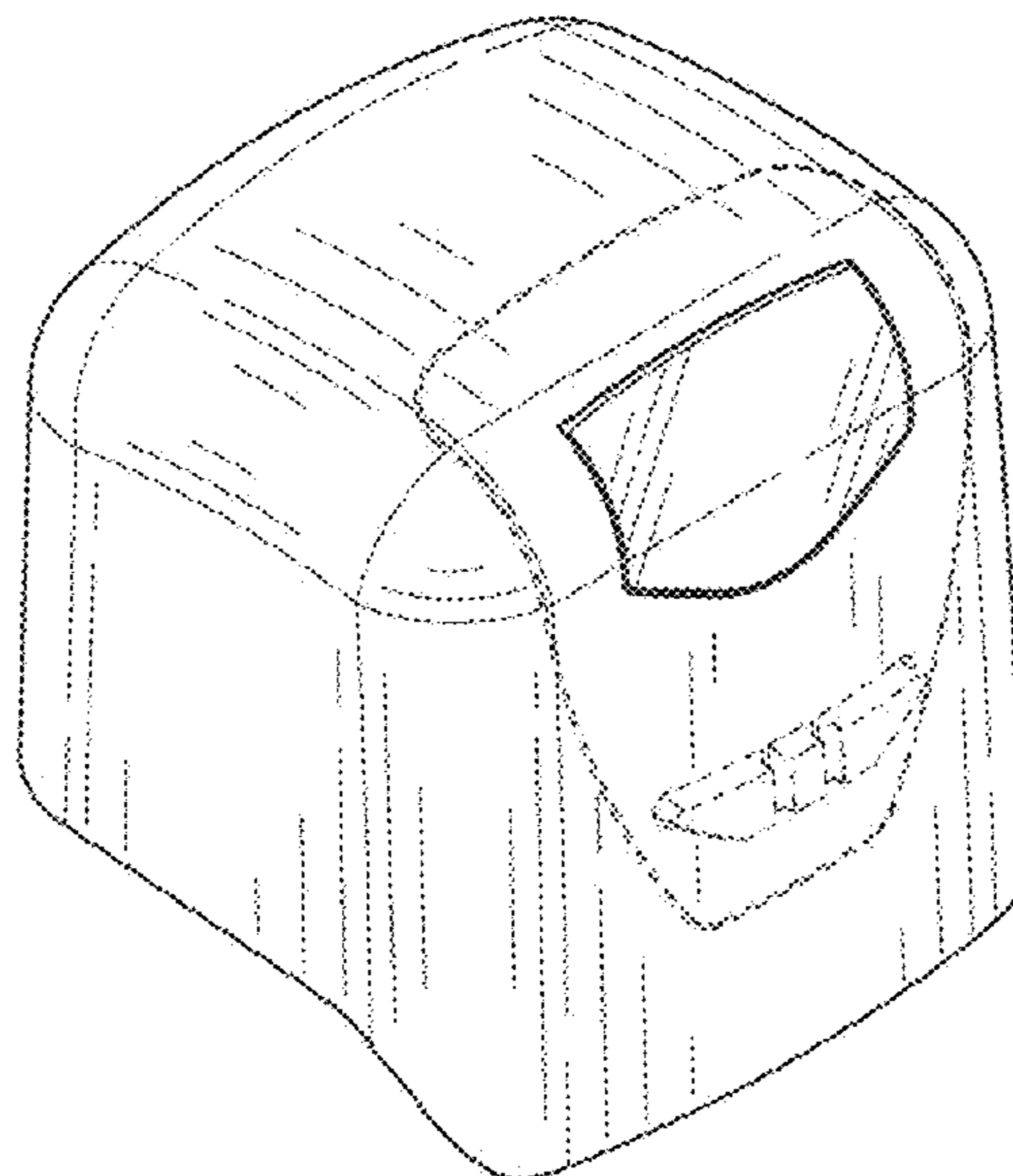
FIG. 1 is a front, top, and left perspective view of a valve shroud illustrating our new ornamental design;
FIG. 2 is a front, top, and right perspective view thereof;
FIG. 3 is a rear, top, and right perspective view thereof;
FIG. 4 is a rear, top, and left perspective view thereof;
FIG. 5 is a front, bottom, and left perspective view thereof;
FIG. 6 is a front, bottom, and right perspective view thereof;
FIG. 7 is a rear, bottom, and right perspective view thereof;
FIG. 8 is a rear, bottom, and left perspective view thereof;
FIG. 9 is a front elevation view thereof;
FIG. 10 is a rear elevation view thereof;
FIG. 11 is a left elevation view thereof;
FIG. 12 is a right elevation view thereof;
FIG. 13 is a top plan view thereof;
FIG. 14 is a bottom plan view thereof; and,
FIG. 15 is a rear, top, and left perspective view thereof, illustrating one application of the valve shroud.
Those portions of the Figures shown in broken and dashed lines are included for environmental purposes only and form no part of the claimed design.

(56) **References Cited**

U.S. PATENT DOCUMENTS

D147,106 S *	7/1947	Bradstock et al.	D13/184
D295,280 S *	4/1988	Walser	D23/249
D349,327 S *	8/1994	Bonnell	D23/249
D355,478 S *	2/1995	Allen et al.	D23/249
D384,399 S *	9/1997	Doke	D23/235
D416,310 S *	11/1999	Uehara et al.	D23/235
D424,028 S *	5/2000	Vaiani	D13/184
D424,529 S *	5/2000	Raspotnig	D13/184
D598,982 S *	8/2009	Bharaj	D23/249
D681,782 S *	5/2013	Bohm et al.	D23/233
D686,697 S *	7/2013	Murase et al.	D23/233
D687,124 S *	7/2013	Weingarten	D23/233
D691,703 S *	10/2013	Iranyi et al.	D23/233

1 Claim, 8 Drawing Sheets



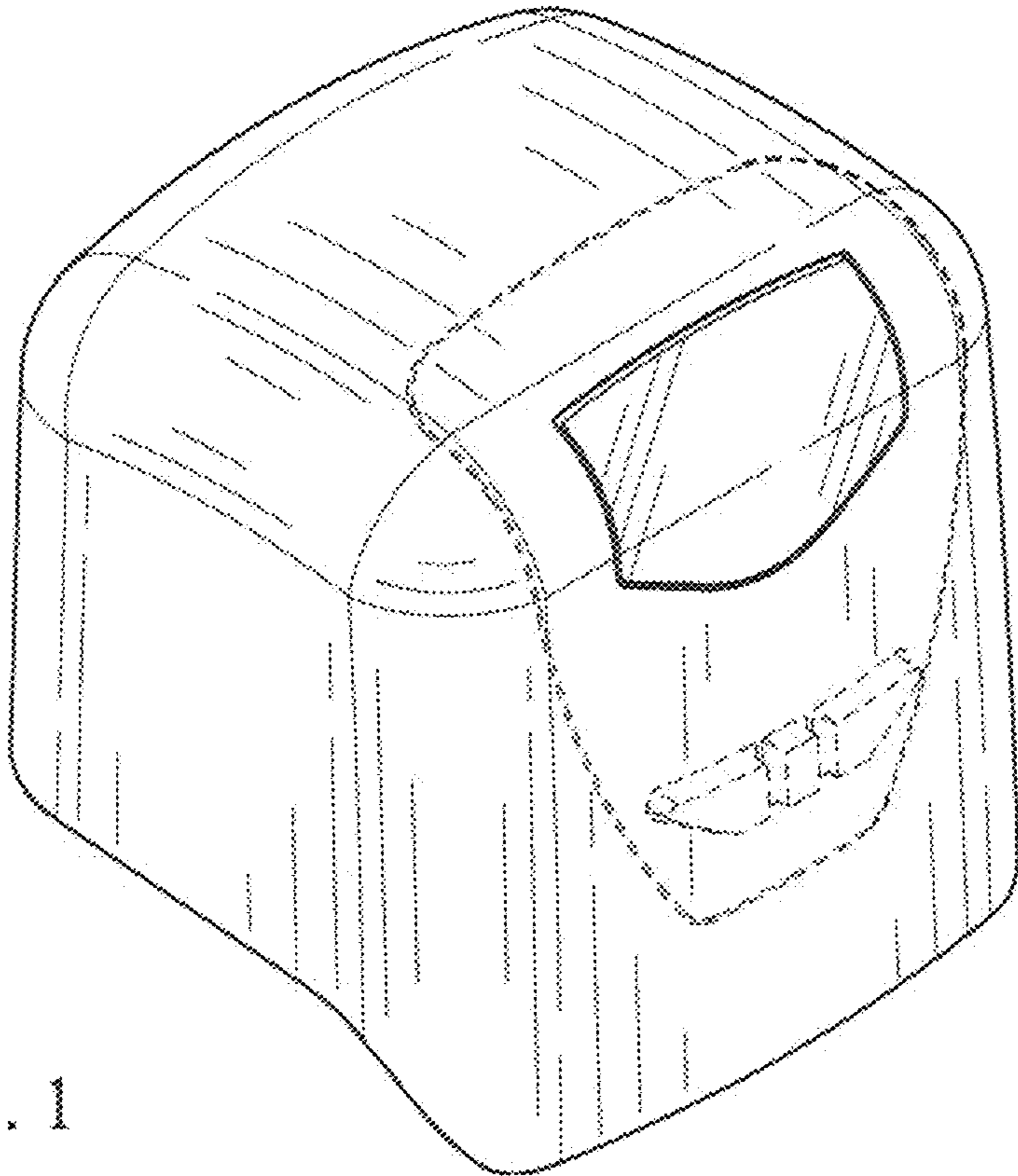


FIG. 1

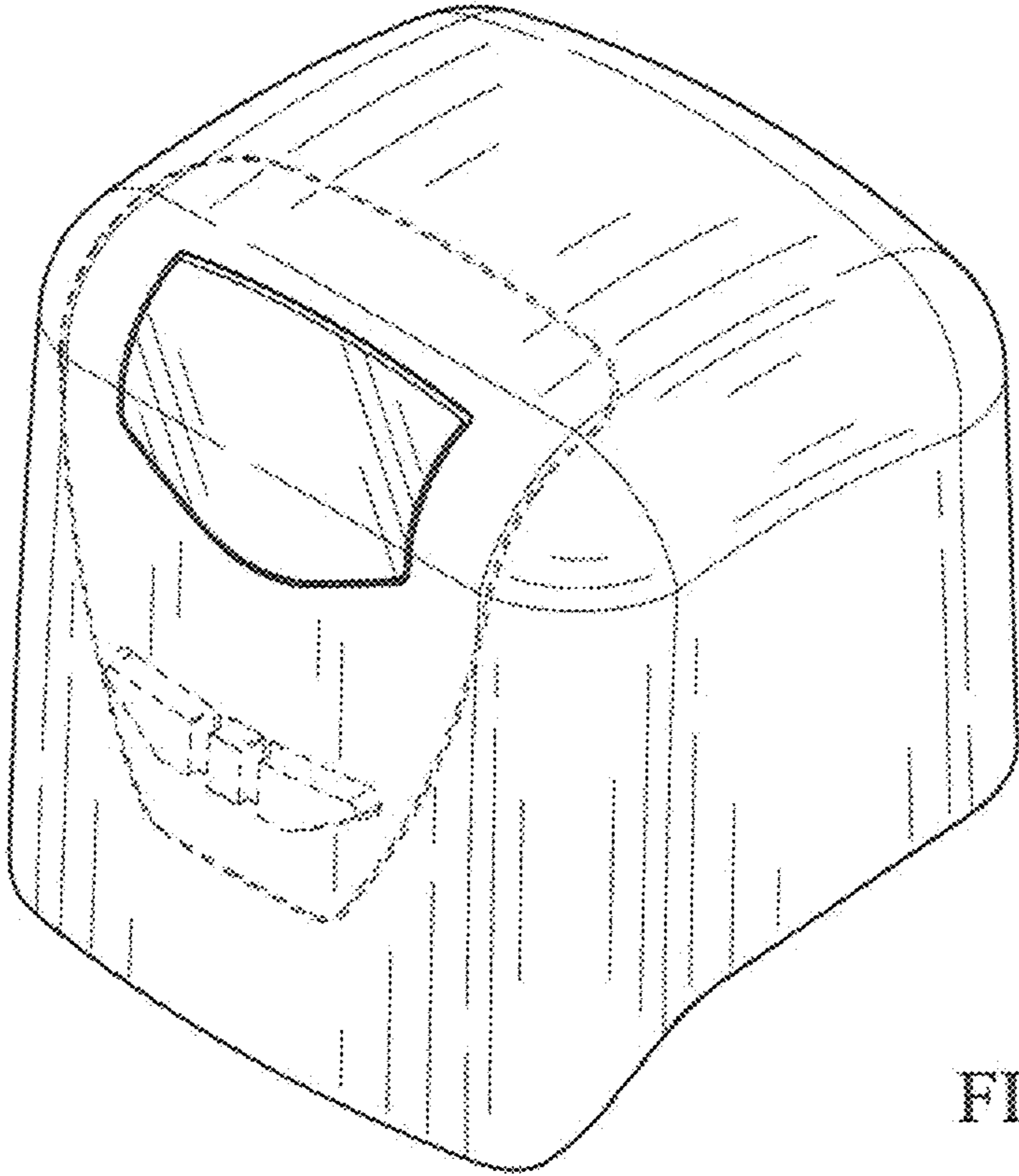


FIG. 2

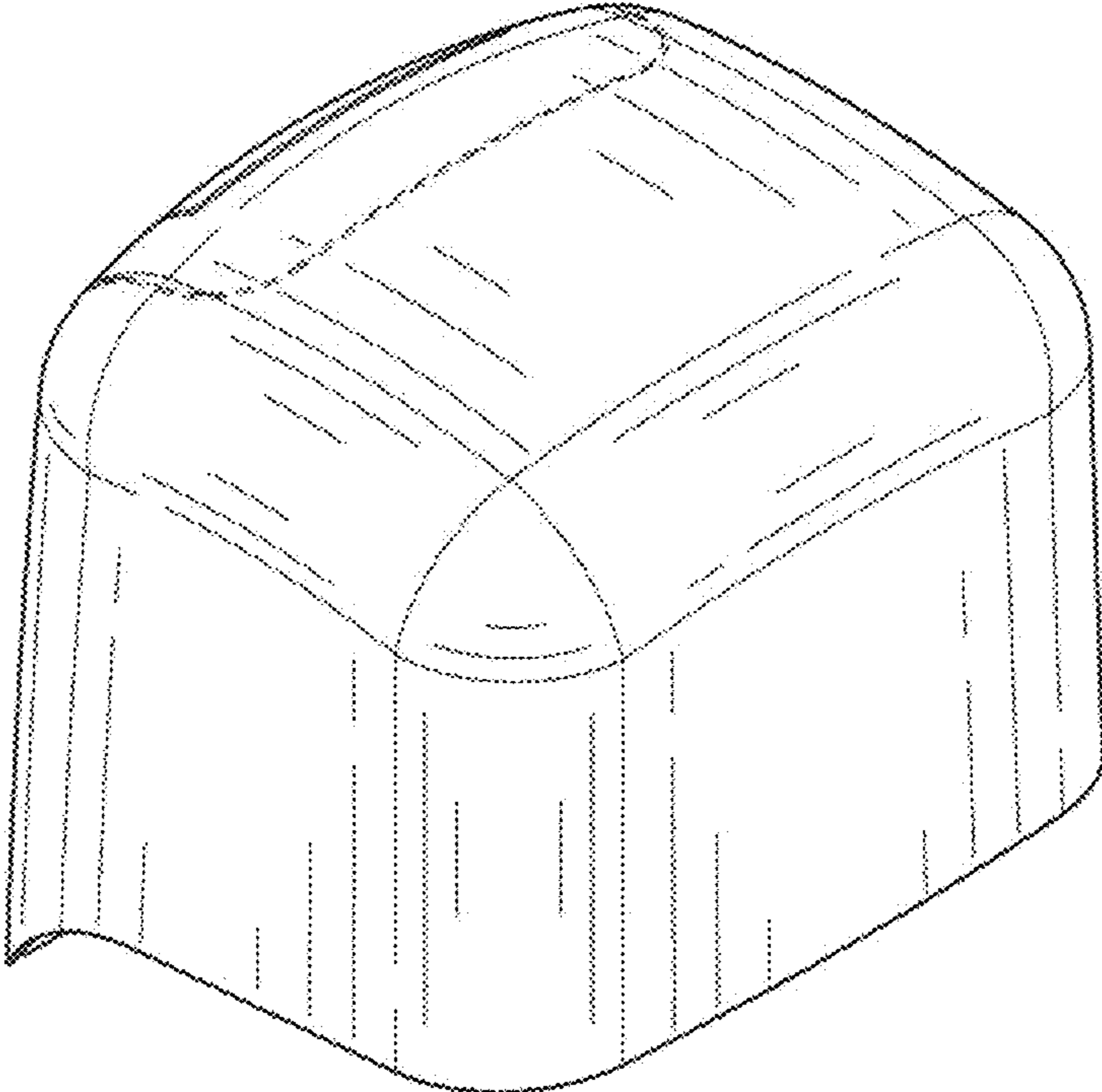


FIG. 3

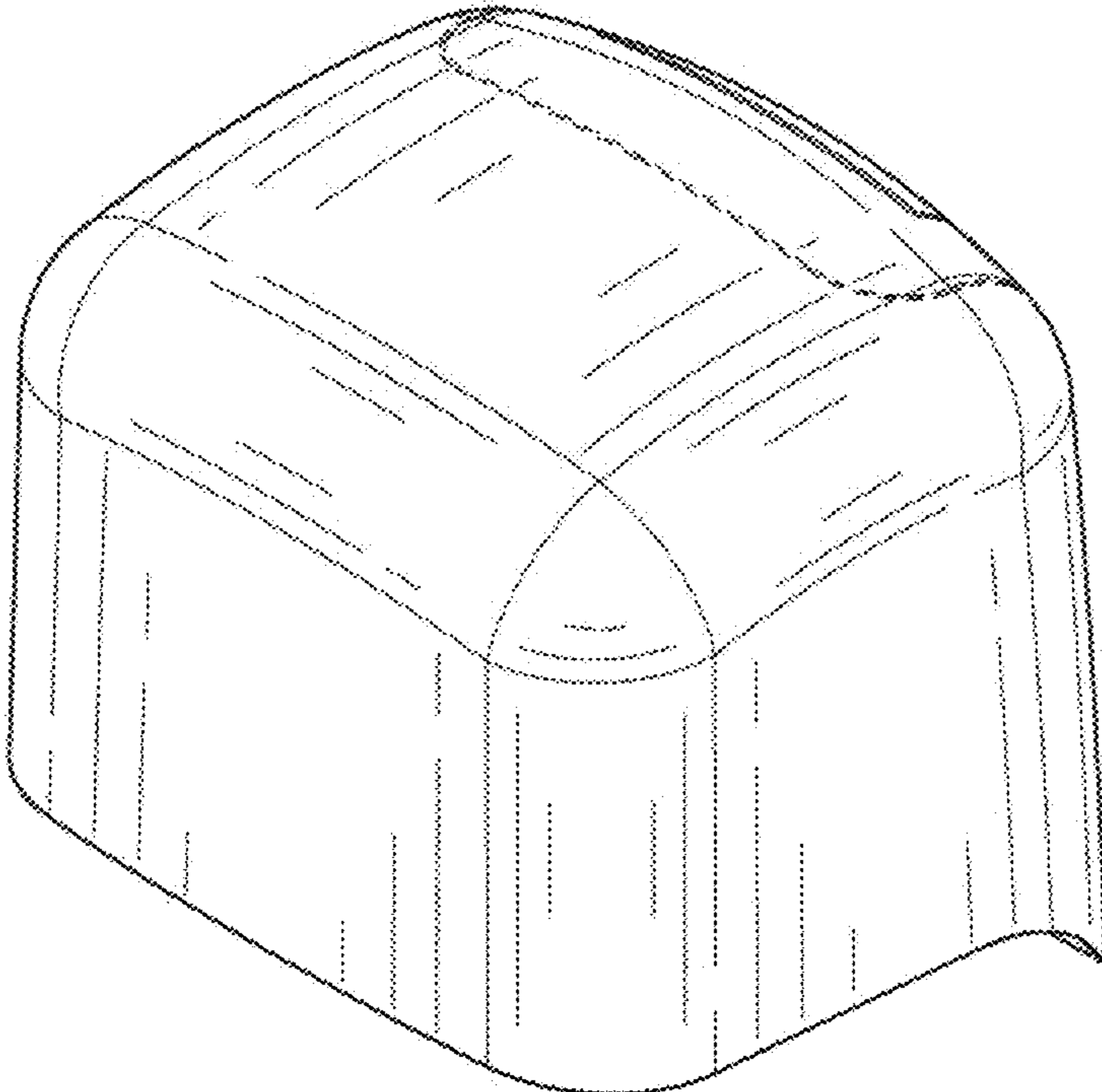


FIG. 4

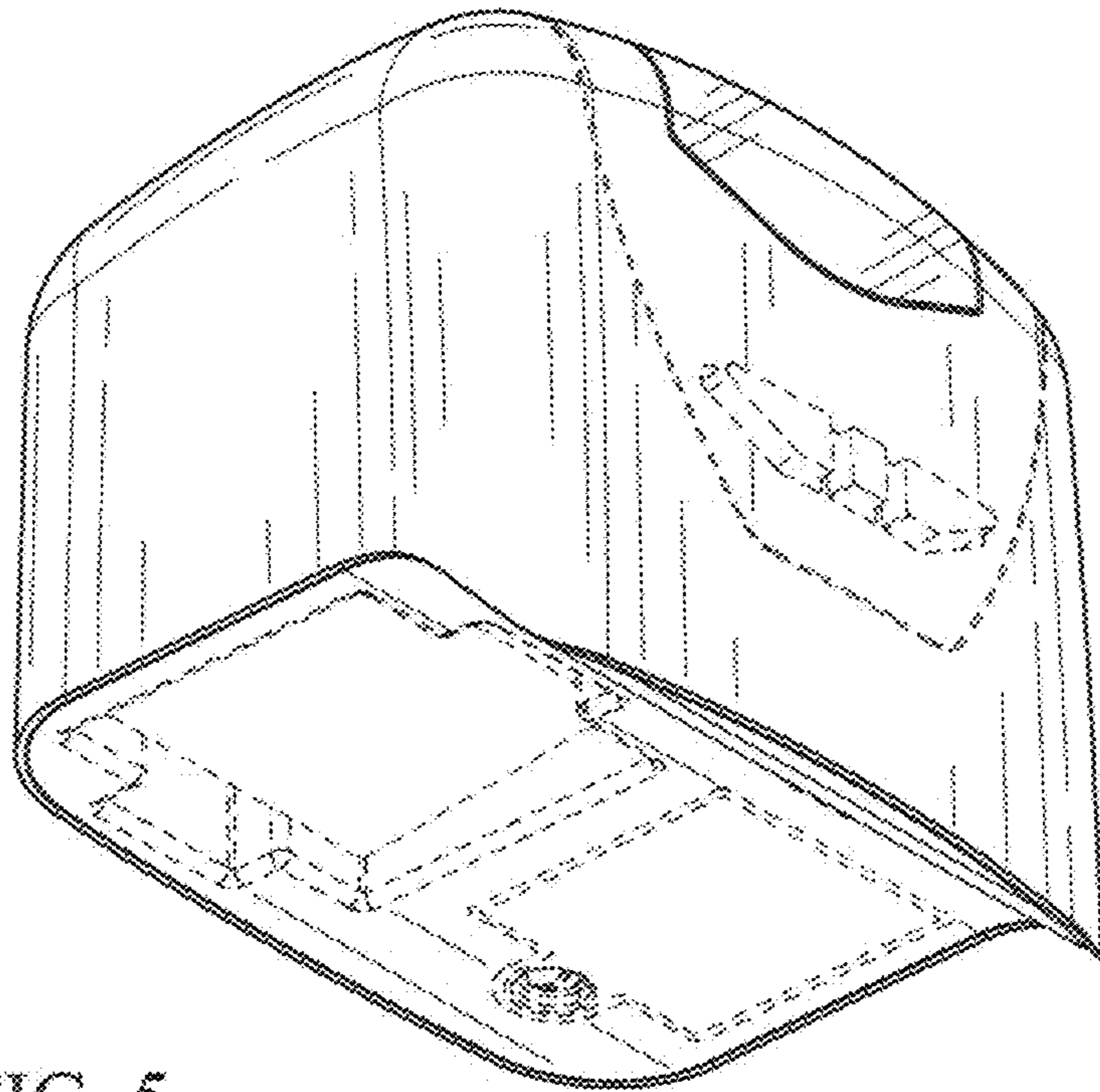


FIG. 5

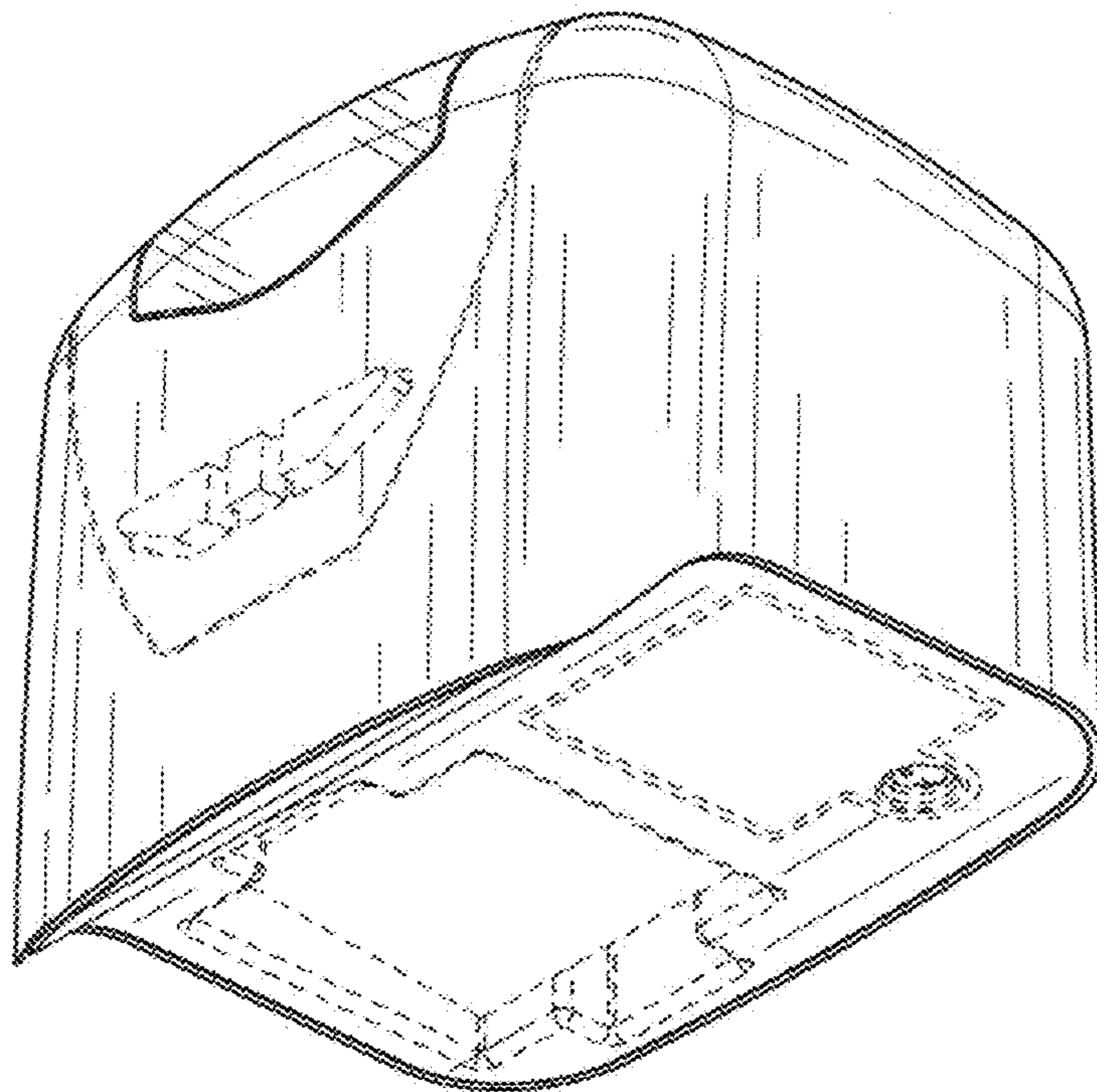


FIG. 6

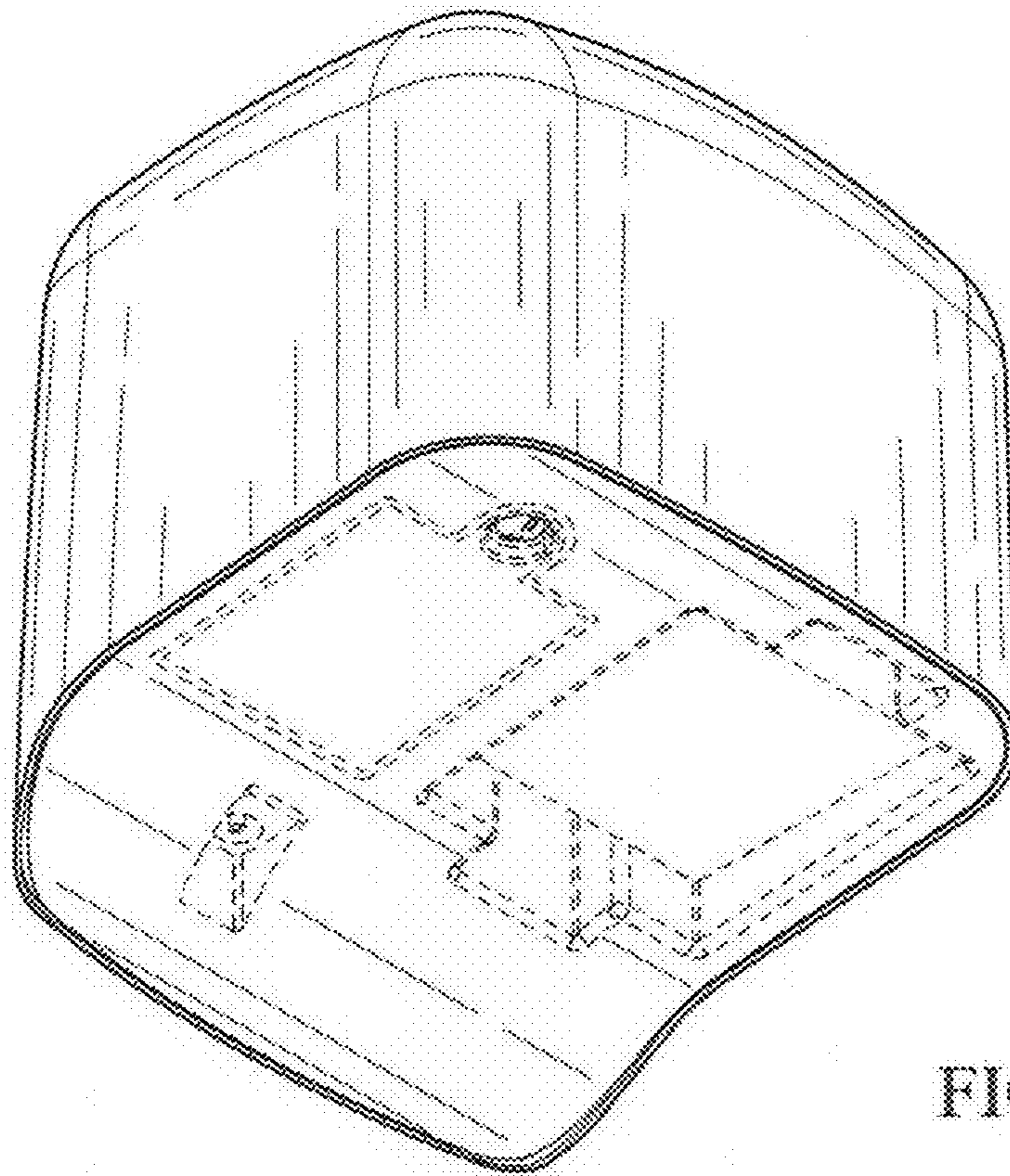


FIG. 7

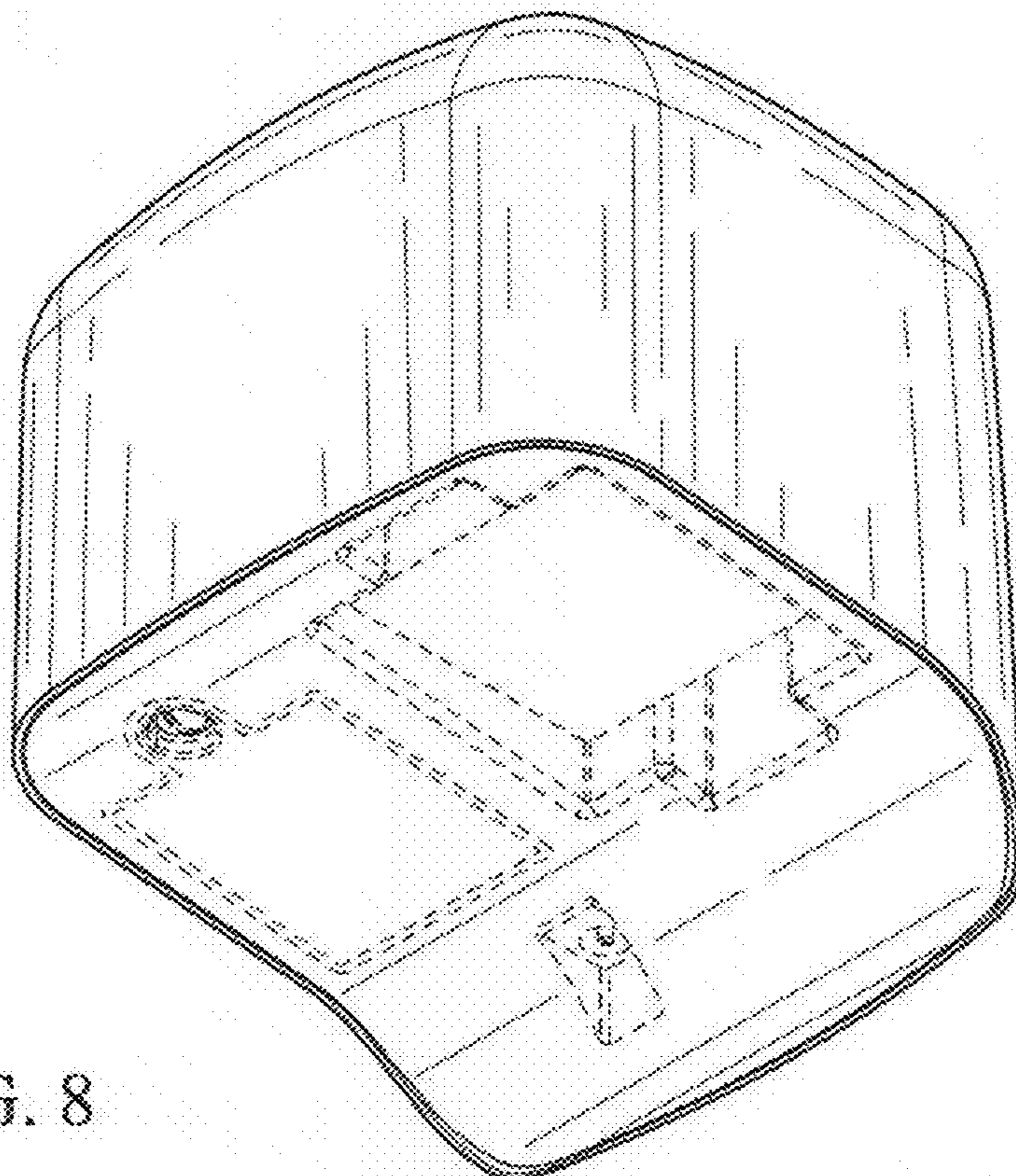


FIG. 8

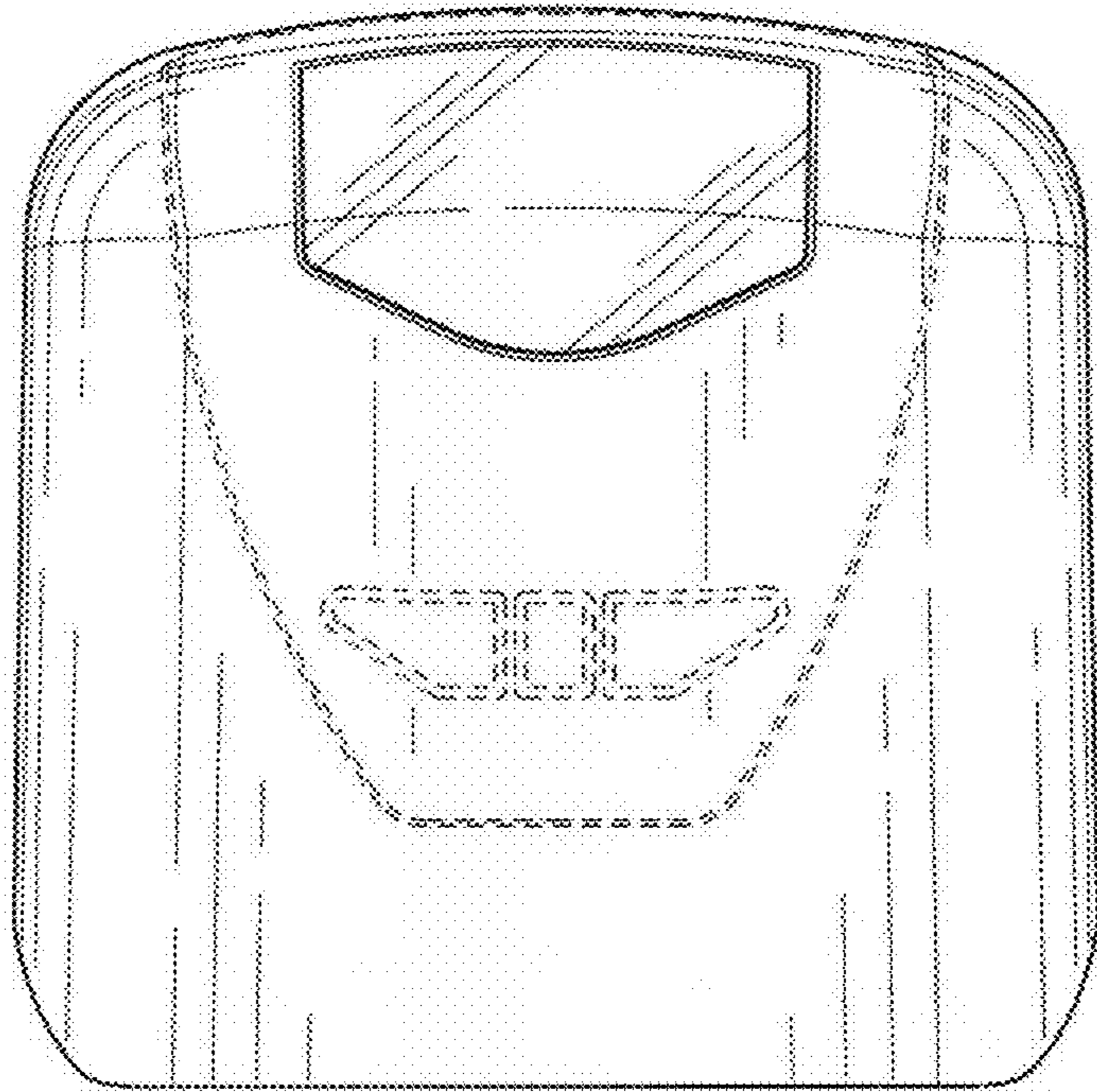


FIG. 9

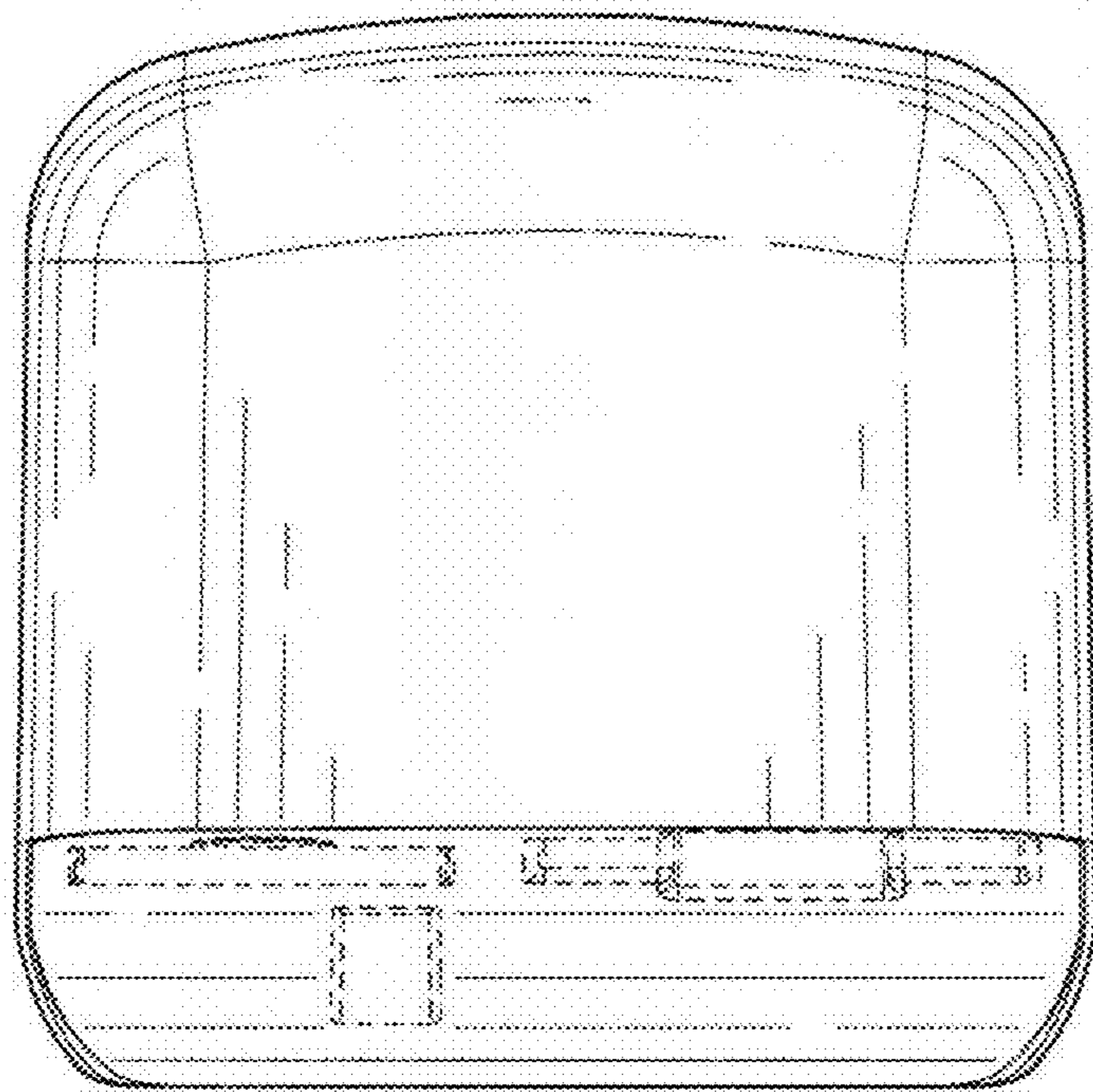


FIG. 10

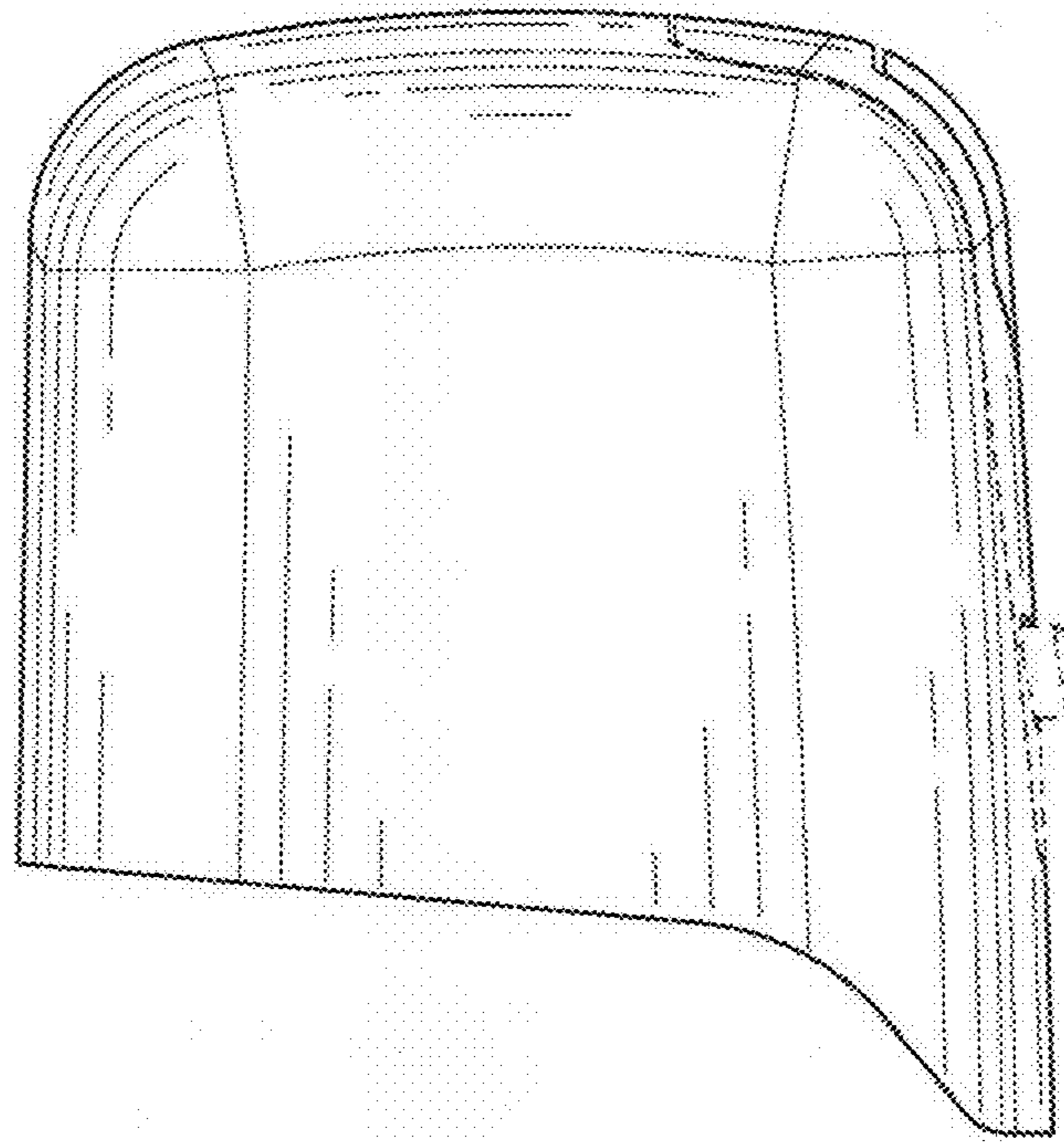


FIG. 11

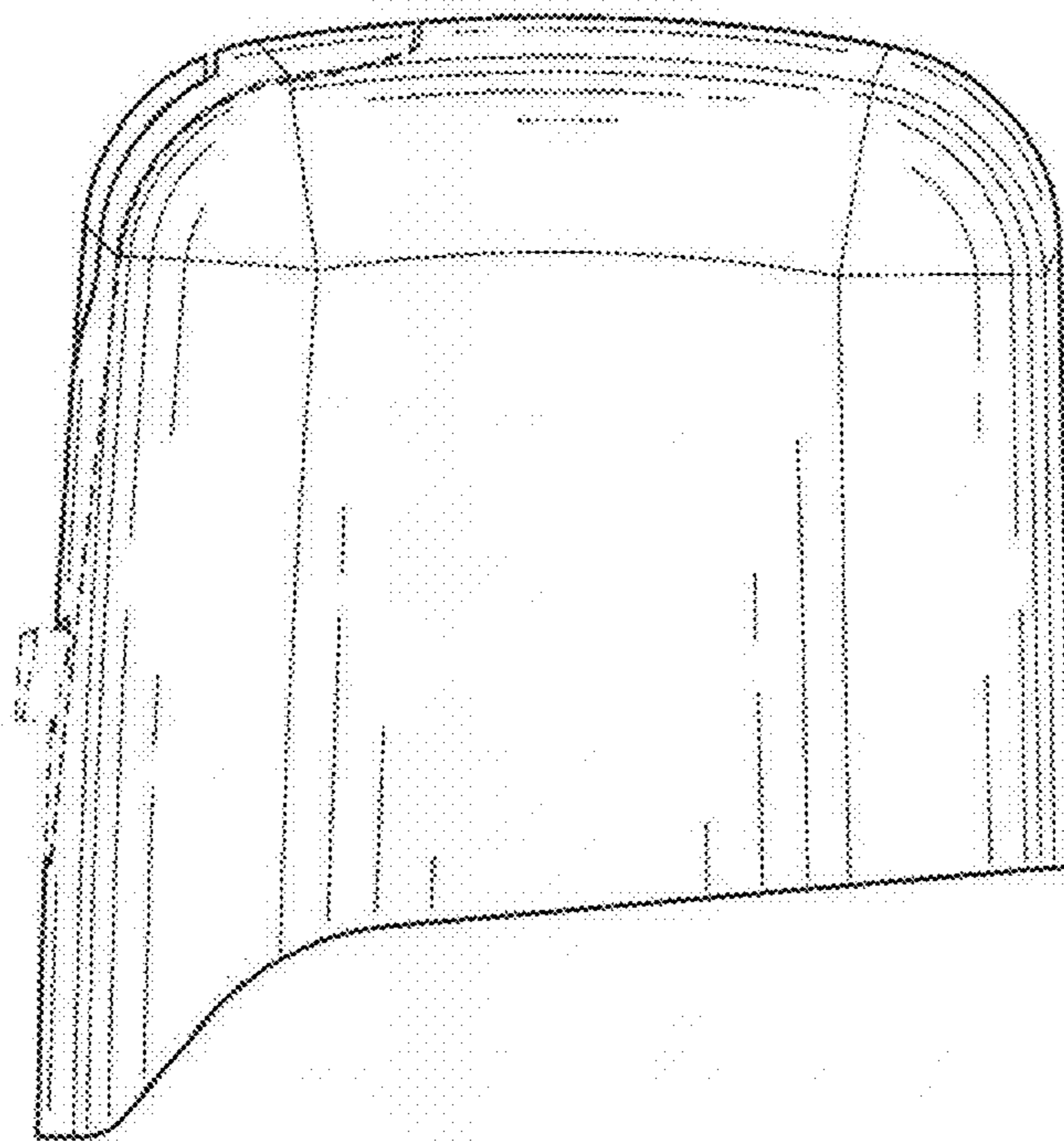


FIG. 12

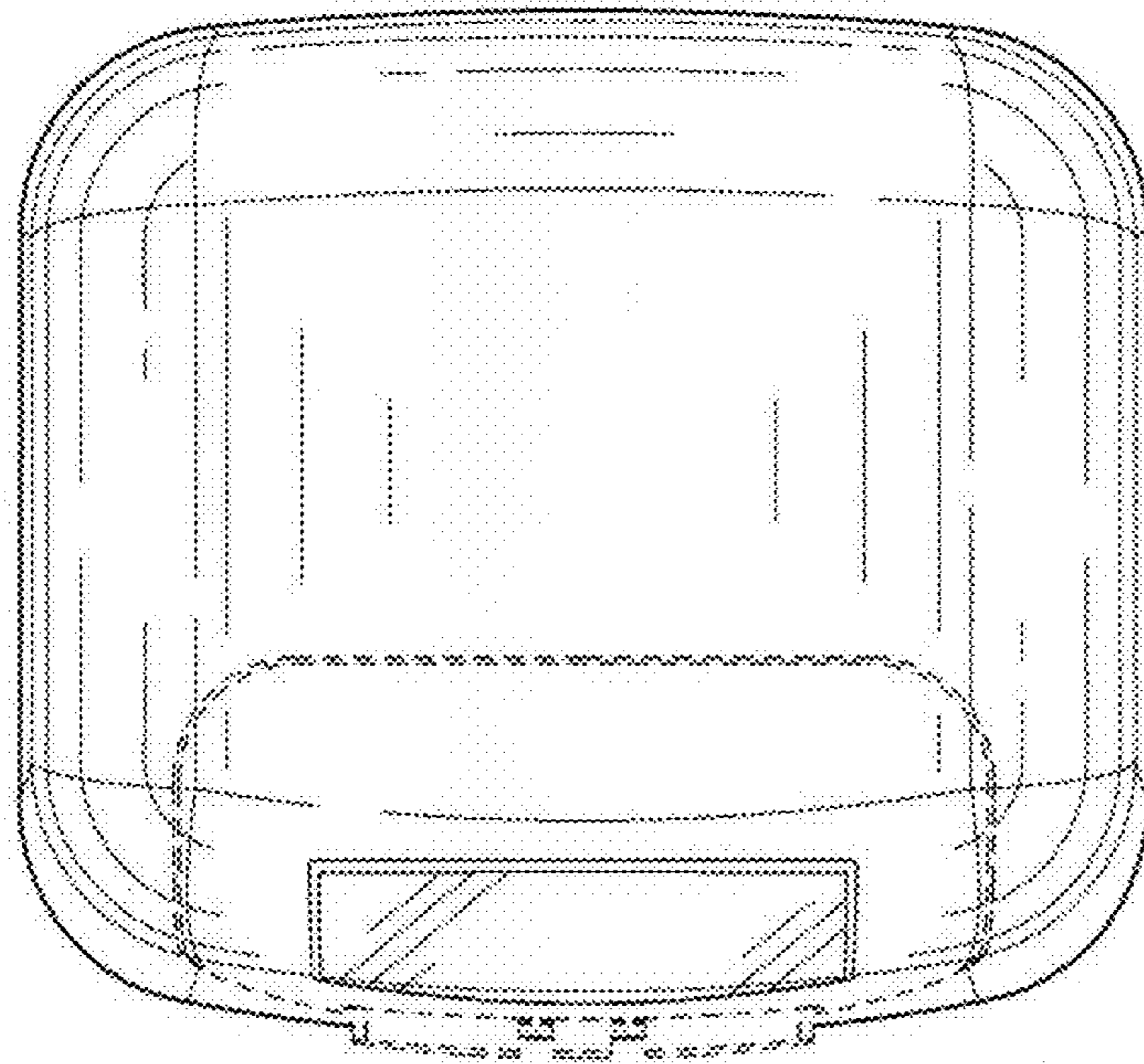


FIG. 13

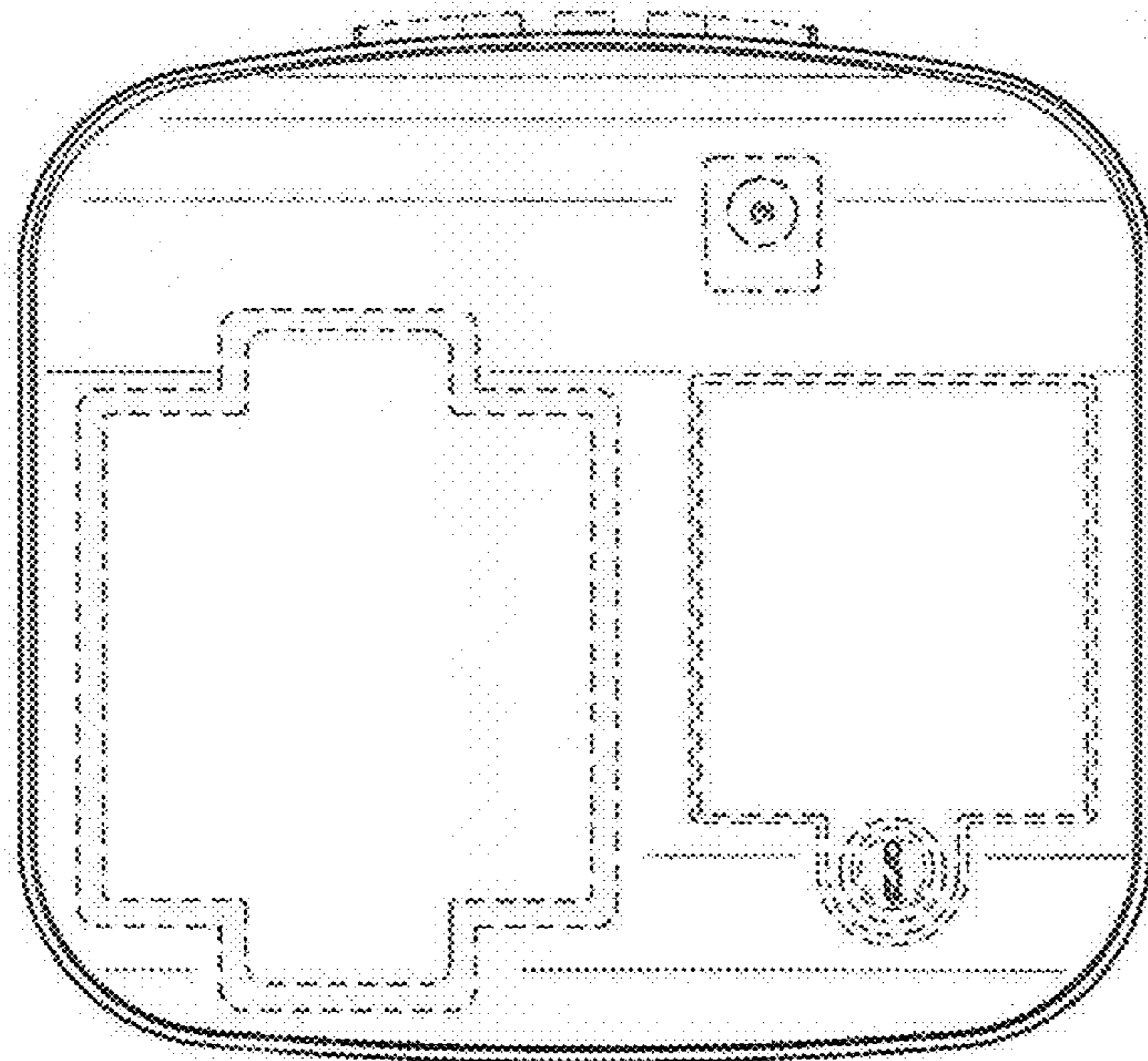


FIG. 14

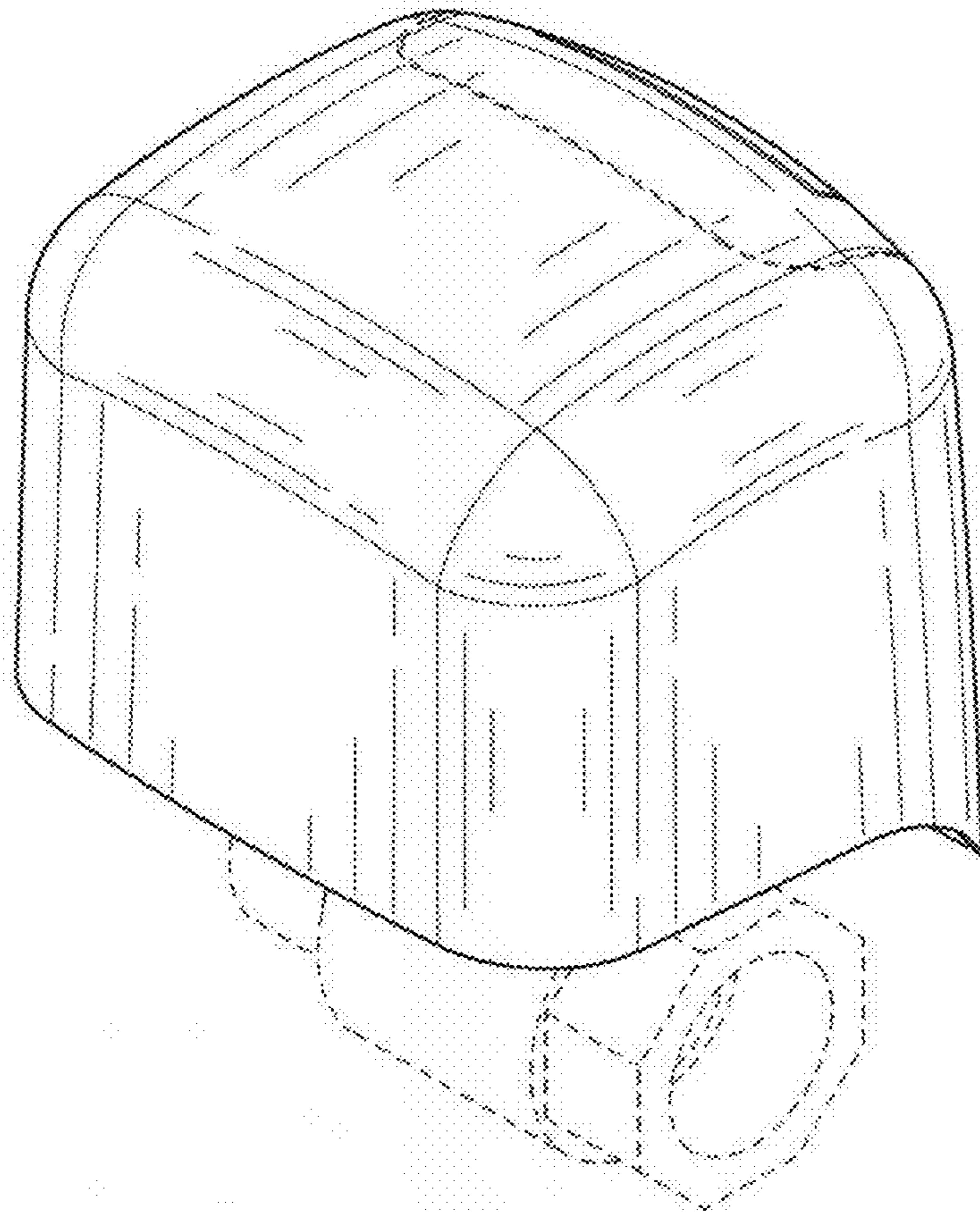


FIG. 15