



US00D717403S

(12) **United States Design Patent**  
**Fritz**

(10) **Patent No.:** **US D717,403 S**

(45) **Date of Patent:** **\*\* Nov. 11, 2014**

(54) **FAUCET**

(71) Applicant: **Masco Corporation of Indiana,**  
Indianapolis, IN (US)

(72) Inventor: **Seth Fritz,** Carmel, IN (US)

(73) Assignee: **Masco Corporation of Indiana,**  
Indianapolis, IN (US)

(\*\*) Term: **14 Years**

(21) Appl. No.: **29/484,394**

(22) Filed: **Mar. 10, 2014**

(51) **LOC (10) Cl.** ..... **23-01**

(52) **U.S. Cl.**  
USPC ..... **D23/238**

(58) **Field of Classification Search**  
USPC ..... D23/238, 241–243, 249–250, 252,  
D23/254–255, 257; 4/675–678; 137/801  
See application file for complete search history.

(56) **References Cited**

**U.S. PATENT DOCUMENTS**

6,317,905 B1 \* 11/2001 Slothower ..... 4/678  
D474,671 S \* 5/2003 Singtoroj et al. .... D23/252

D596,716 S \* 7/2009 Haug et al. .... D23/254  
D644,303 S \* 8/2011 Slothower et al. .... D23/252  
D646,365 S \* 10/2011 Parekh ..... D23/290  
D694,369 S \* 11/2013 Mendoza et al. .... D23/242  
D705,400 S \* 5/2014 Georgeson et al. .... D23/252

\* cited by examiner

*Primary Examiner* — Robert Delehanty

(74) *Attorney, Agent, or Firm* — Edgar A. Zarins; Nirav D. Parikh

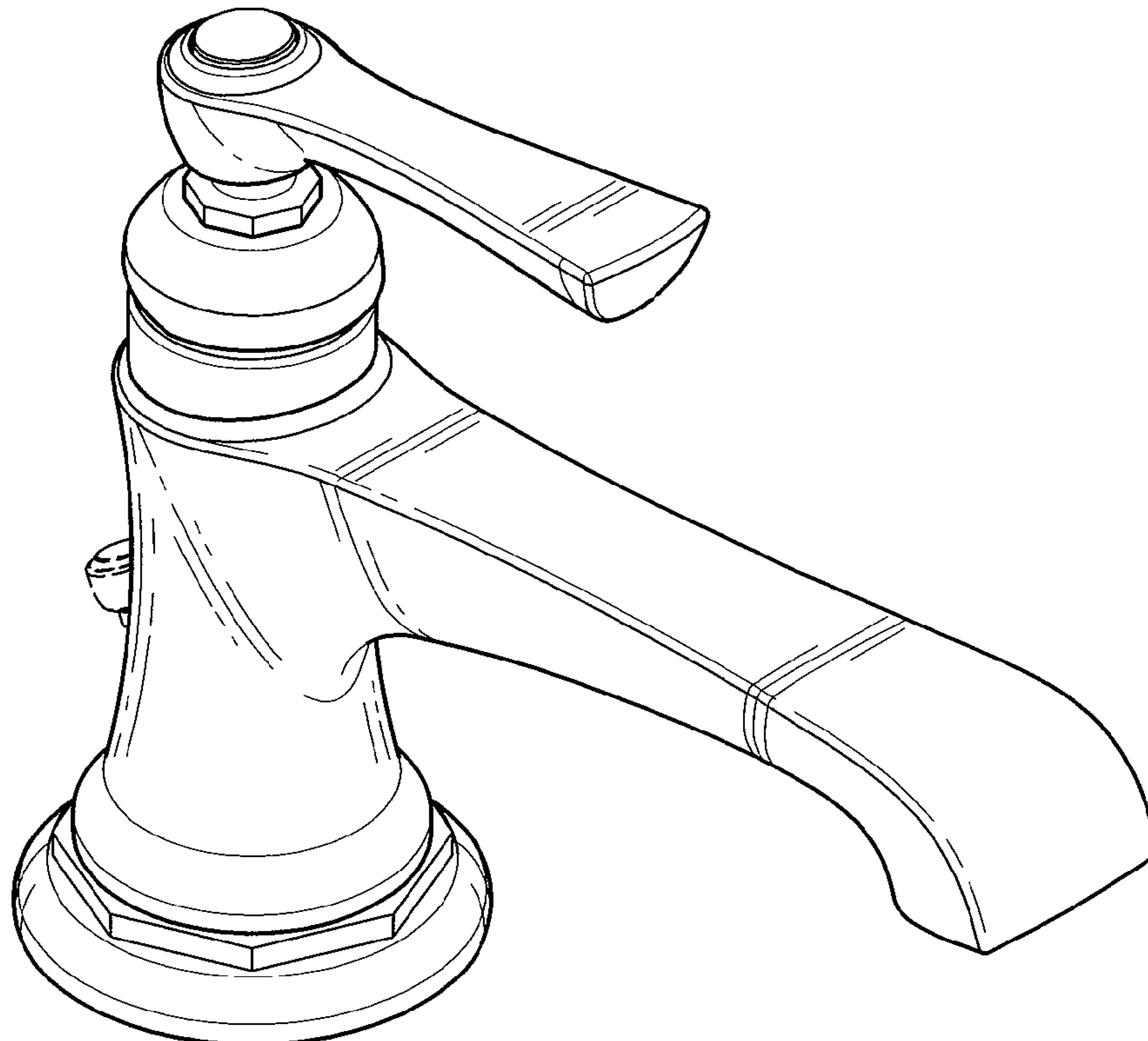
(57) **CLAIM**

The ornamental design for a faucet, as shown and described.

**DESCRIPTION**

FIG. 1 is a perspective view of a faucet showing my new design;  
FIG. 2 is a top plan view thereof;  
FIG. 3 is a front elevational view thereof;  
FIG. 4 is a rear view thereof;  
FIG. 5 is a right side view thereof, the opposite side being a mirror image of the side shown; and,  
FIG. 6 is a bottom view thereof.  
The broken lines shown in the drawings are included for the purpose of illustrating a portion of the faucet that forms no part of the claimed design.

**1 Claim, 3 Drawing Sheets**



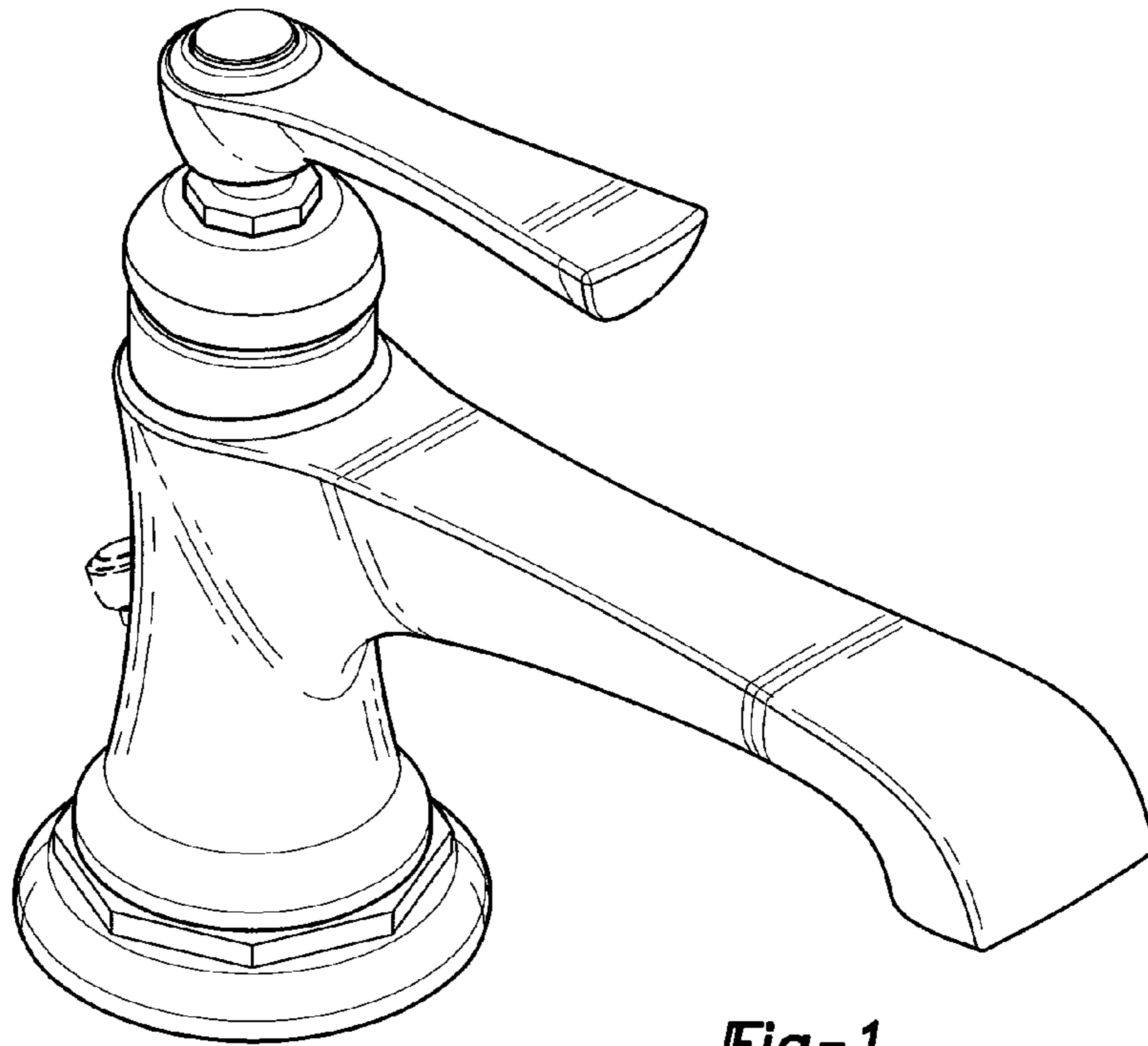


Fig-1

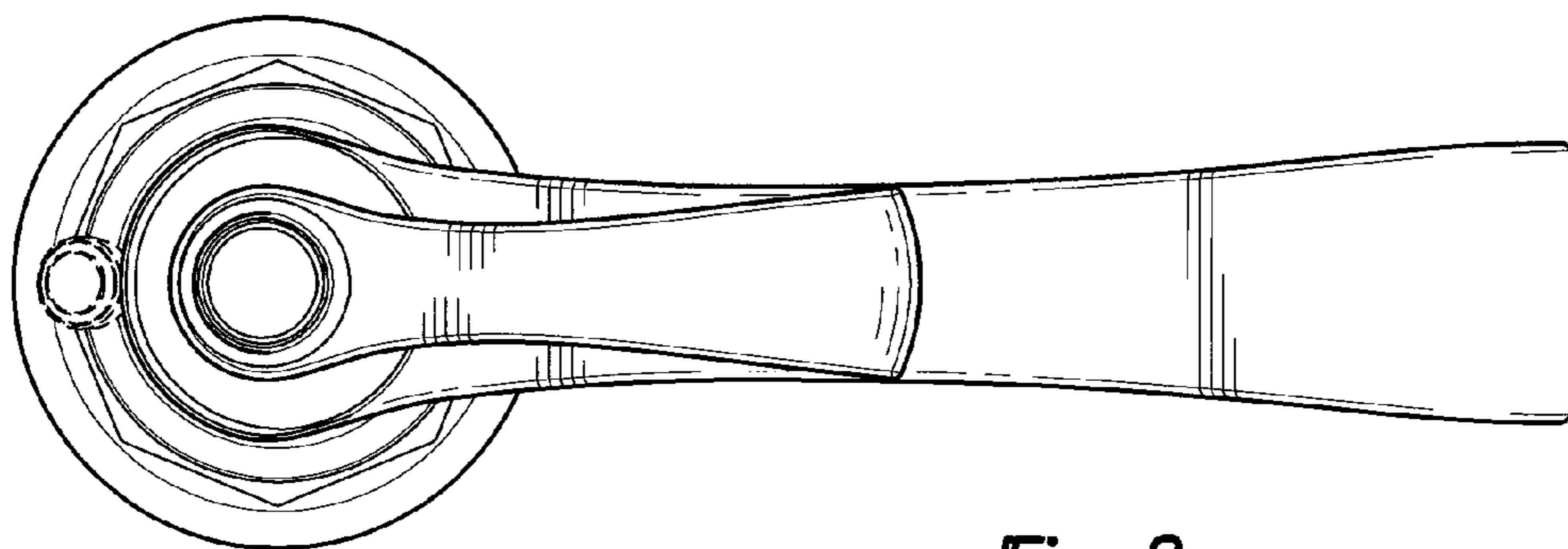


Fig-2

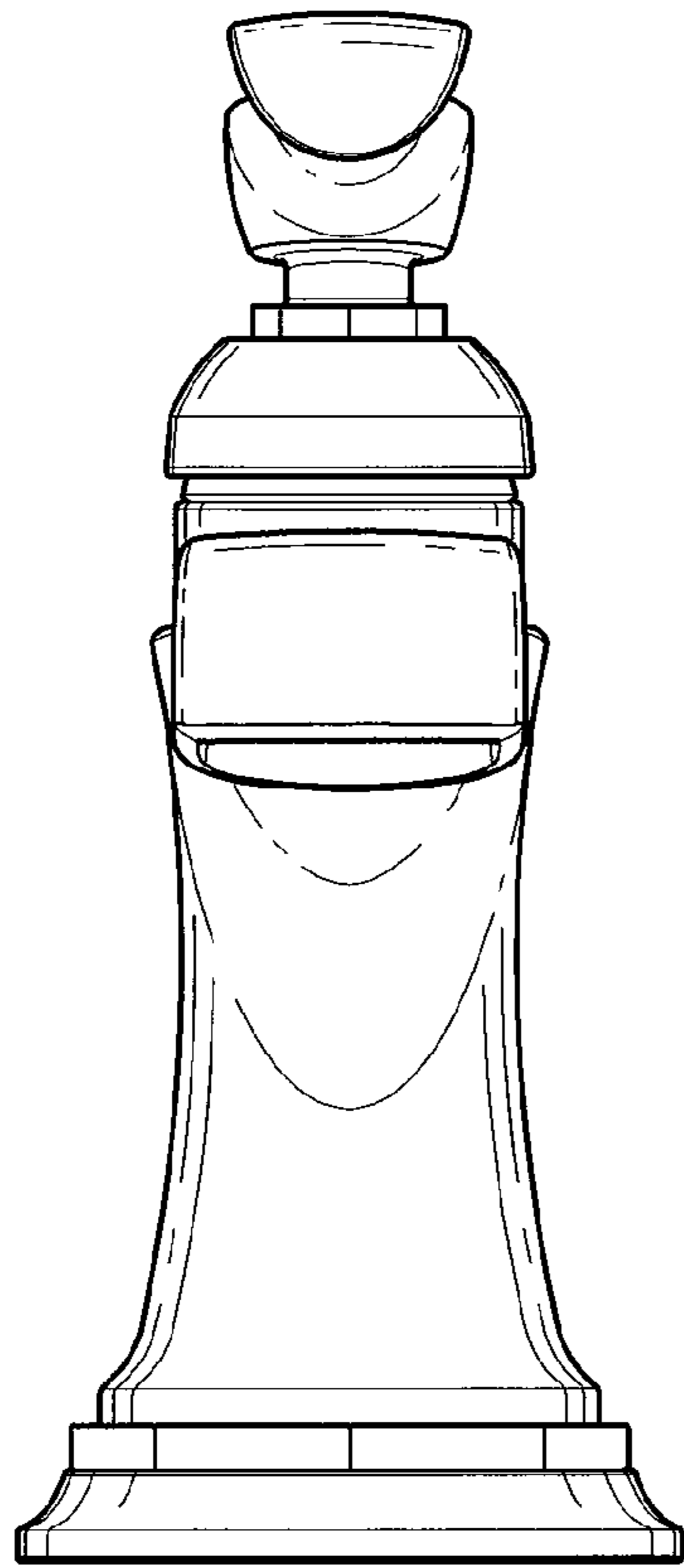


Fig-3

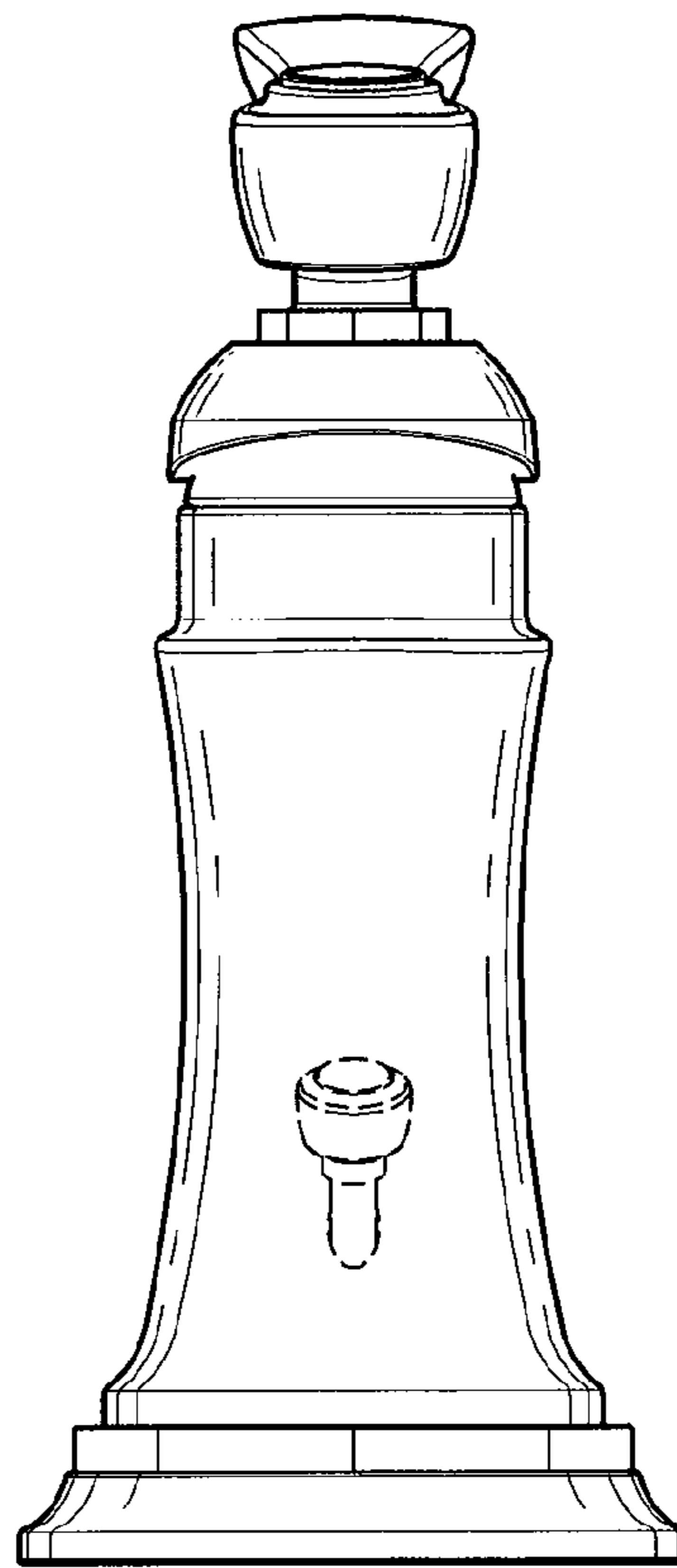


Fig-4

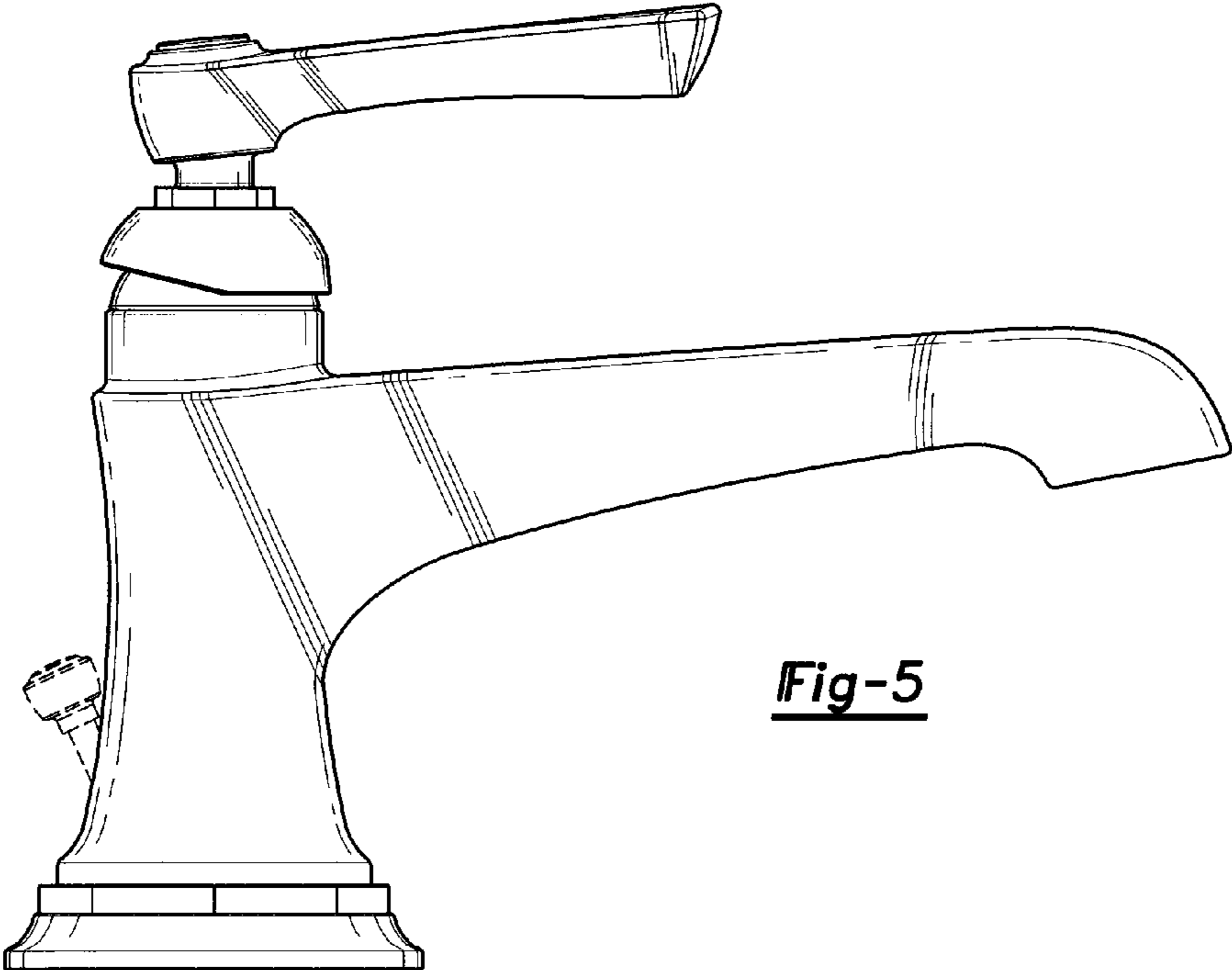


Fig-5

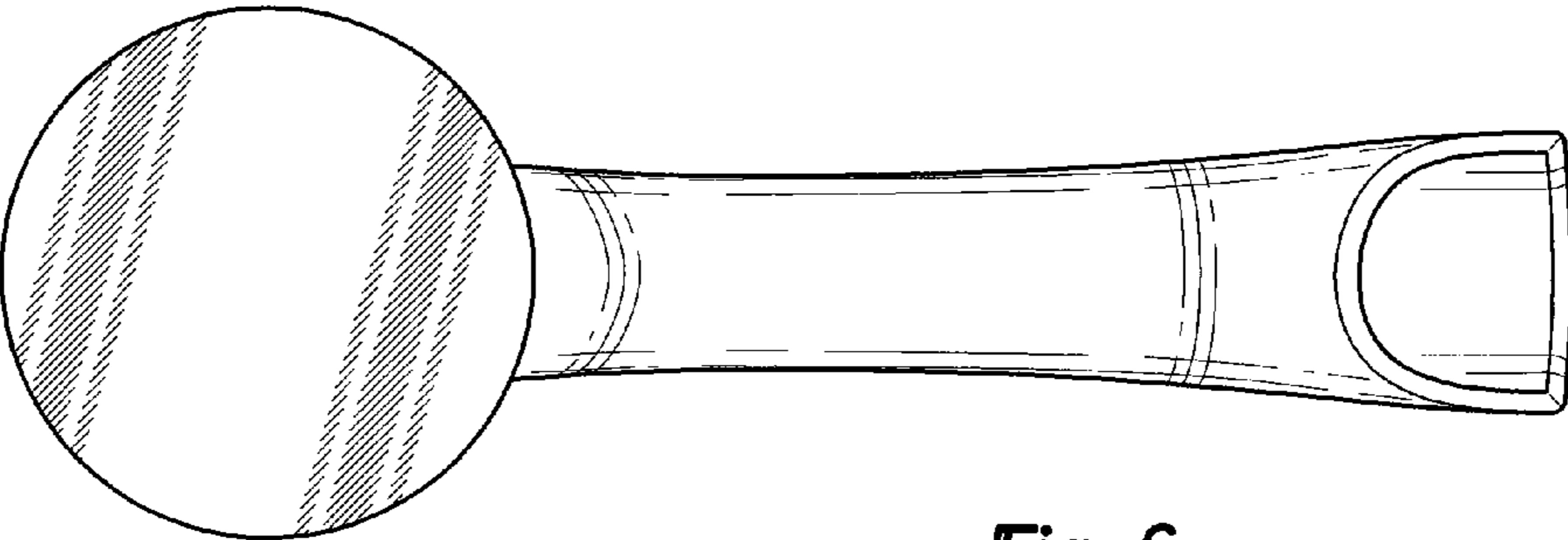


Fig-6