



US00D717401S

(12) **United States Design Patent**
Fritz

(10) **Patent No.:** **US D717,401 S**
(45) **Date of Patent:** **** Nov. 11, 2014**

(54) **FAUCET**

(71) Applicant: **Masco Corporation of Indiana,**
Indianapolis, IN (US)

(72) Inventor: **Seth Fritz,** Carmel, IN (US)

(73) Assignee: **Masco Corporation of Indiana,**
Indianapolis, IN (US)

(**) Term: **14 Years**

(21) Appl. No.: **29/484,275**

(22) Filed: **Mar. 7, 2014**

(51) **LOC (10) Cl.** **23-01**

(52) **U.S. Cl.**
USPC **D23/238**

(58) **Field of Classification Search**
USPC D23/238, 241–243, 249–250, 252,
D23/254–255, 257; 4/675–678; 137/801
See application file for complete search history.

(56) **References Cited**

U.S. PATENT DOCUMENTS

D474,671 S * 5/2003 Singtoroj et al. D23/252
D586,429 S * 2/2009 Fritz D23/238

D596,716 S * 7/2009 Haug et al. D23/254
D644,303 S * 8/2011 Slothower et al. D23/252
D679,367 S * 4/2013 Kwok D23/255
D680,622 S * 4/2013 Berger D23/238
D705,400 S * 5/2014 Georgeson et al. D23/252

* cited by examiner

Primary Examiner — Robert Delehanty

(74) *Attorney, Agent, or Firm* — Edgar A. Zarins; Nirav D. Parikh

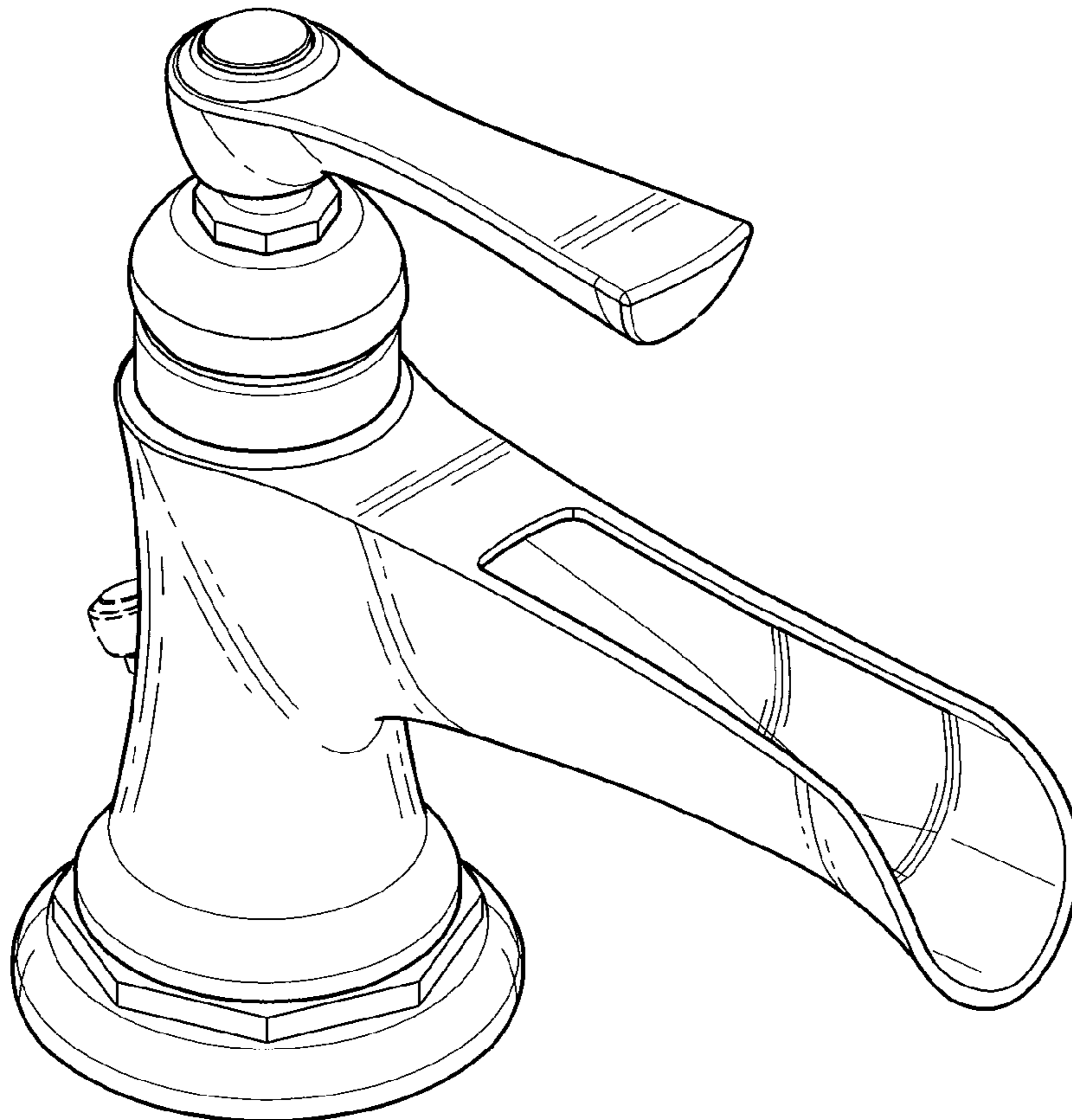
(57) **CLAIM**

The ornamental design for a faucet, as shown and described.

DESCRIPTION

FIG. 1 is a perspective view of a faucet showing my new design;
FIG. 2 is a top plan view thereof;
FIG. 3 is a front elevational view thereof;
FIG. 4 is a rear view thereof;
FIG. 5 is a right side view thereof, the opposite side being a mirror image of the side shown; and,
FIG. 6 is a bottom view thereof.
The broken lines shown in the drawings are included for the purpose of illustrating a portion of the faucet that forms no part of the claimed design.

1 Claim, 3 Drawing Sheets



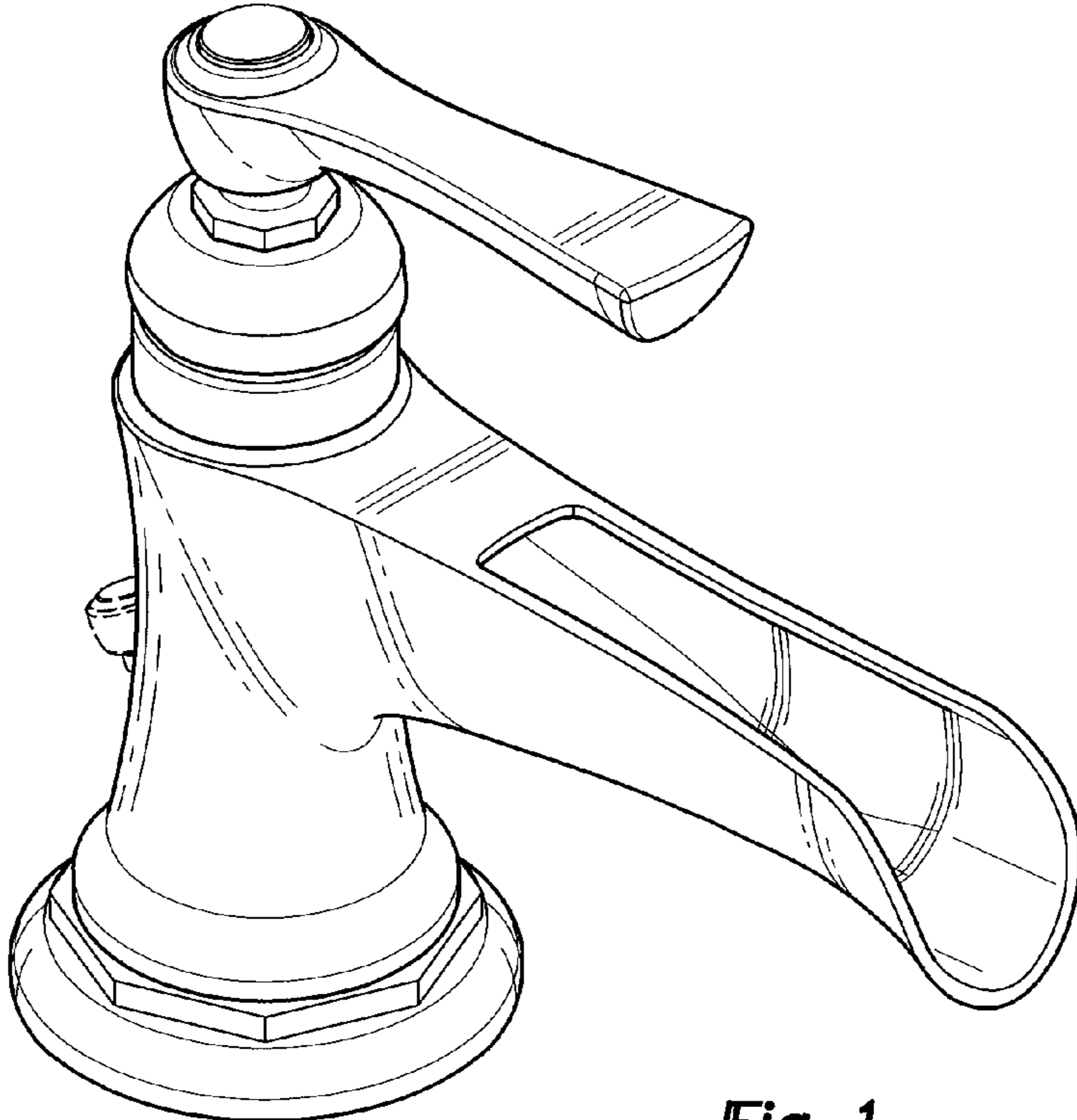


Fig-1

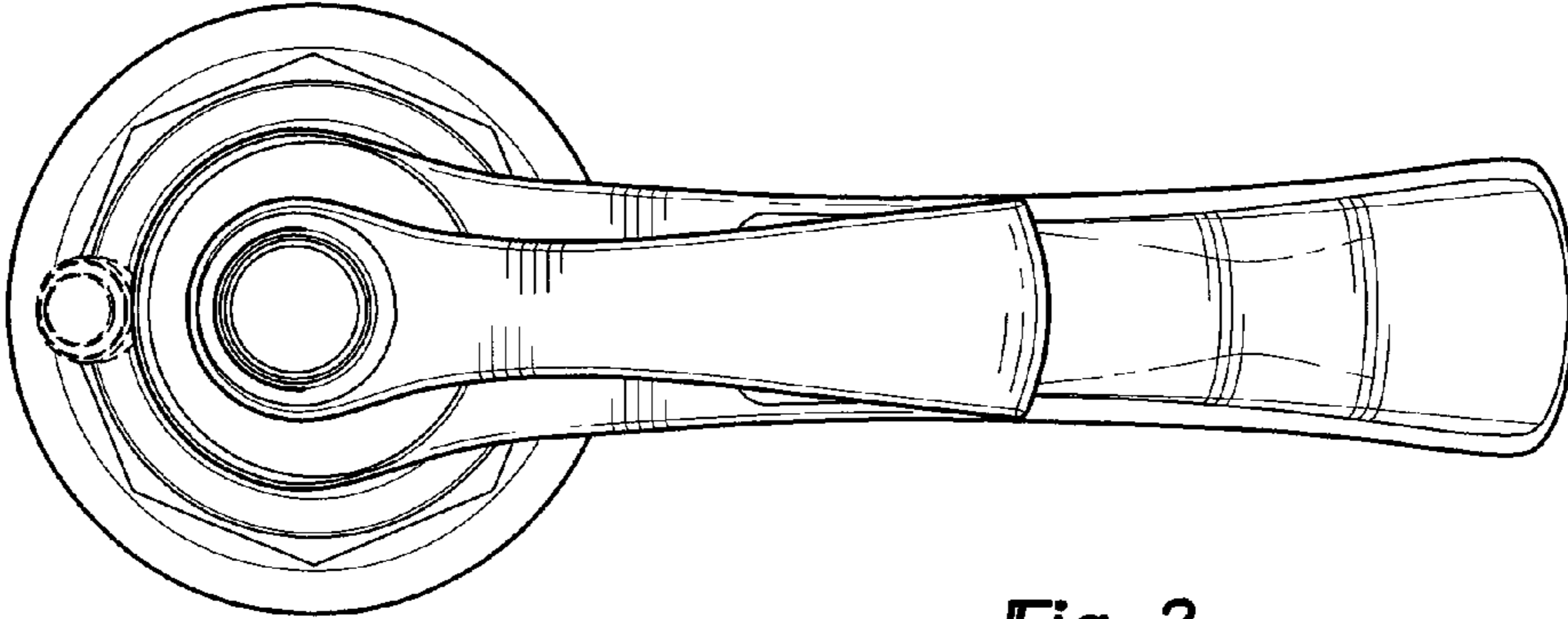


Fig-2

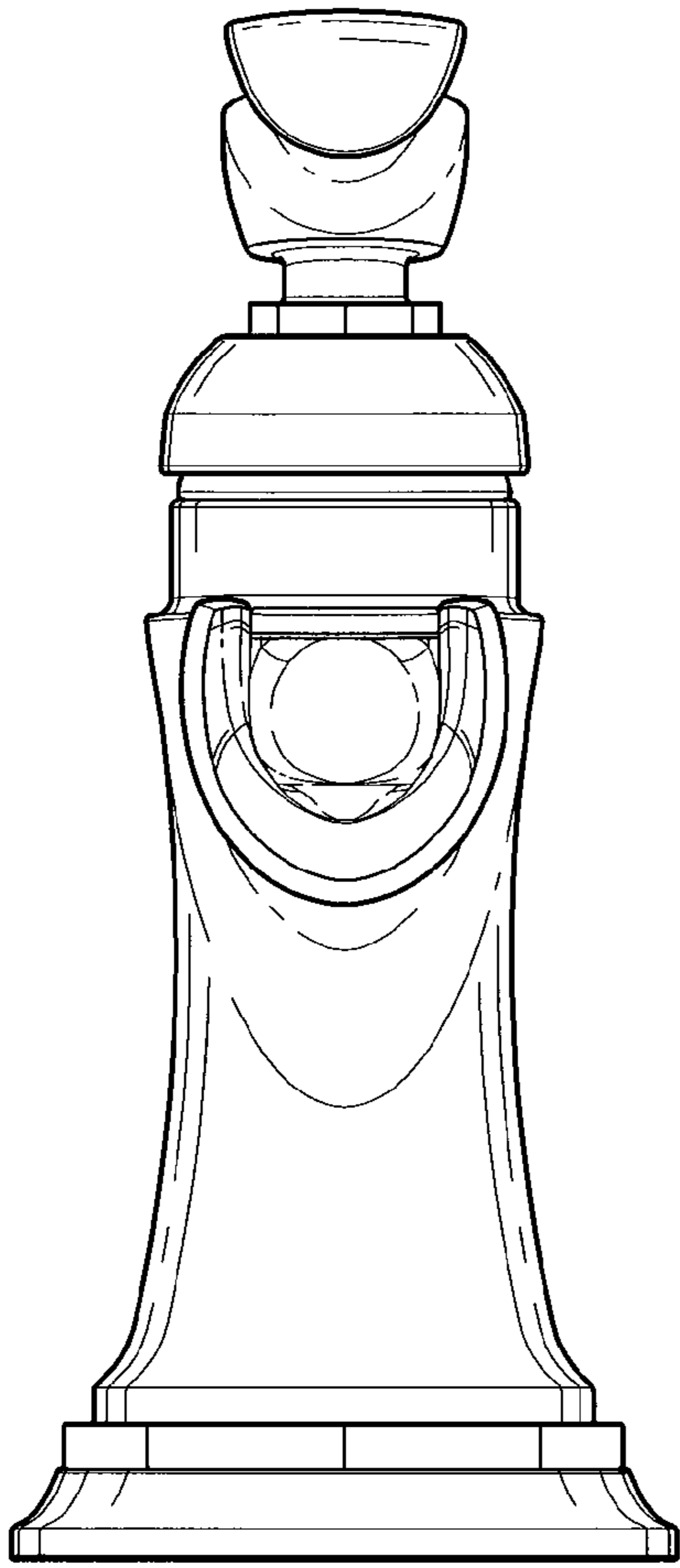


Fig-3



Fig-4

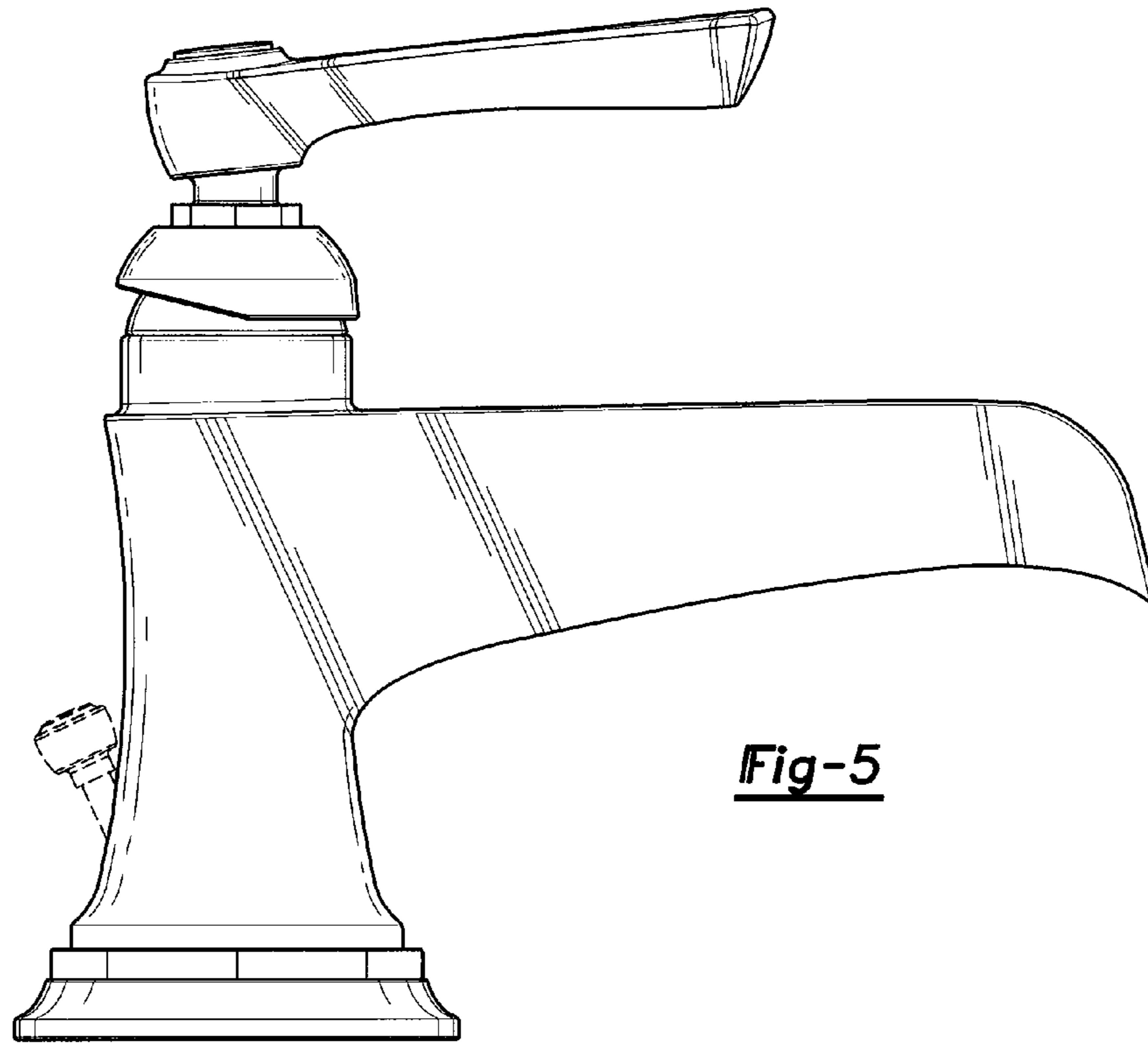


Fig-5

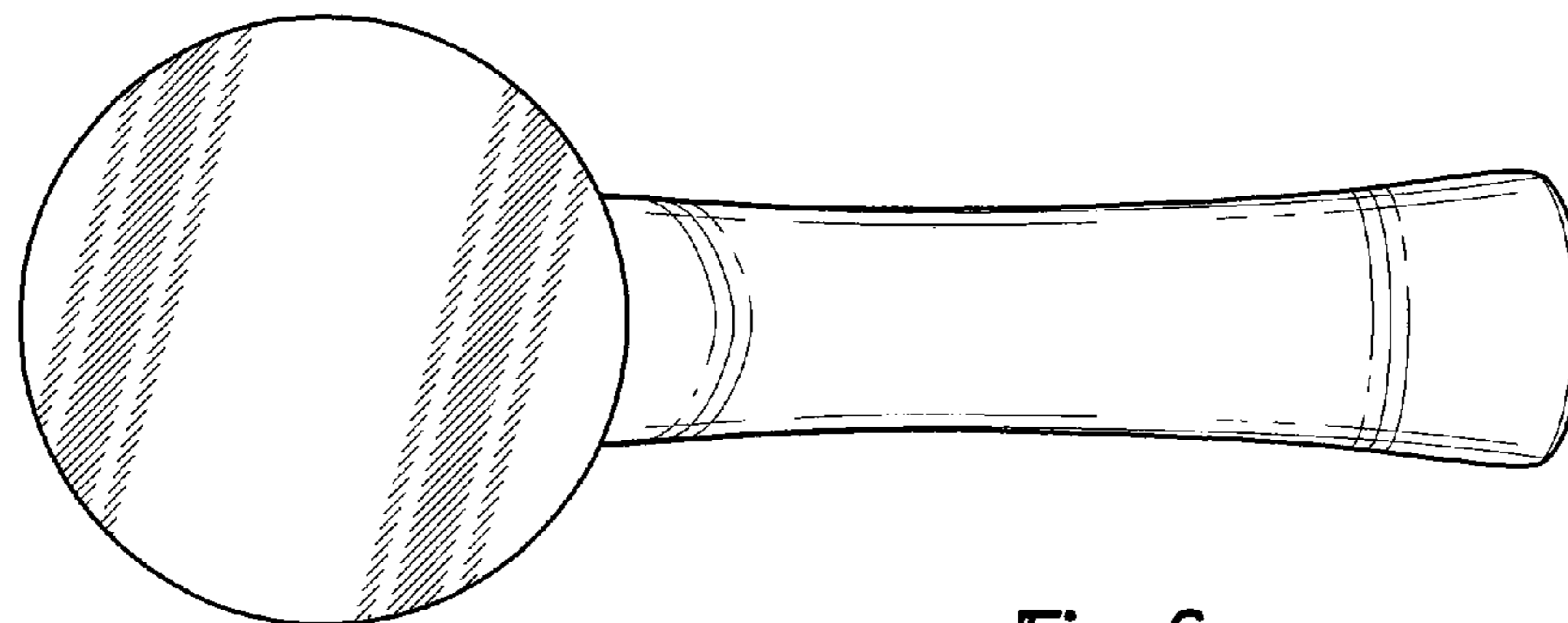


Fig-6